



US00D524194S

(12) **United States Design Patent**  
**Claussen**

(10) **Patent No.:** **US D524,194 S**

(45) **Date of Patent:** **\*\* Jul. 4, 2006**

(54) **FOOT PEG DEVICE FOR A WHEELED VEHICLE**

6,339,972 B1 1/2002 Paris  
6,663,129 B1 12/2003 Smith  
D488,407 S 4/2004 Wright  
D489,295 S 5/2004 Wright

(76) Inventor: **Travis W. Claussen**, 18125 Baxter Rd.,  
Lawson, MO (US) 64062

(\*\*) Term: **14 Years**

*Primary Examiner*—Alan P. Douglas  
*Assistant Examiner*—Linda Brooks  
(74) *Attorney, Agent, or Firm*—Shughart Thomson &  
Kilroy; Marcia J. Rodgers

(21) Appl. No.: **29/236,606**

(22) Filed: **Aug. 18, 2005**

(57) **CLAIM**

(51) **LOC (8) Cl.** ..... **12-11**

(52) **U.S. Cl.** ..... **D12/114**

(58) **Field of Classification Search** ..... D12/110,  
D12/114, 122, 125; 280/288.4, 291; 74/564,  
74/478, 512, 560, 562.5, 594.4, 594.7, 594.6;  
180/219; 296/75

The ornamental design for a foot peg device for a wheeled vehicle, as shown and described.

See application file for complete search history.

**DESCRIPTION**

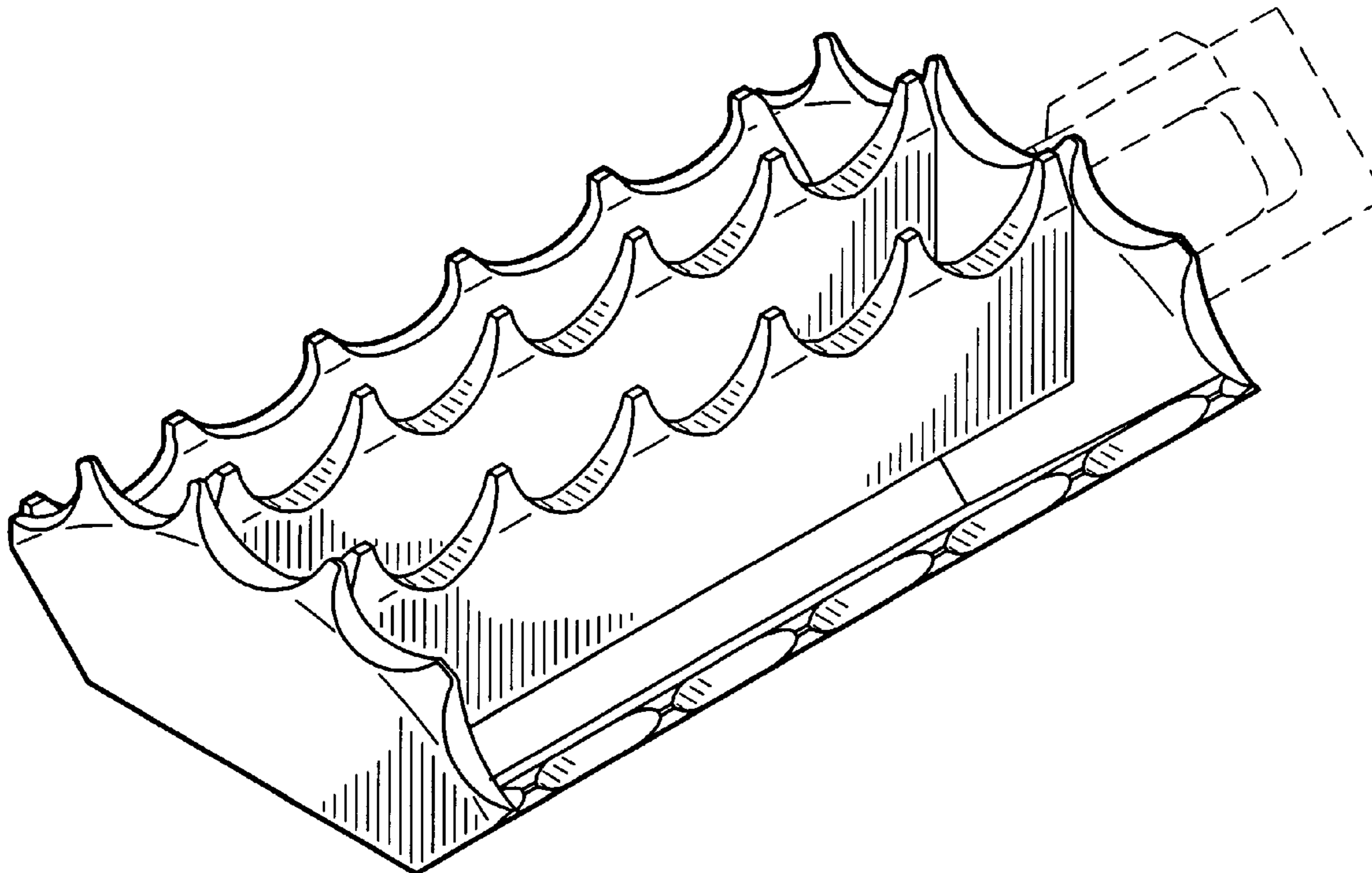
(56) **References Cited**

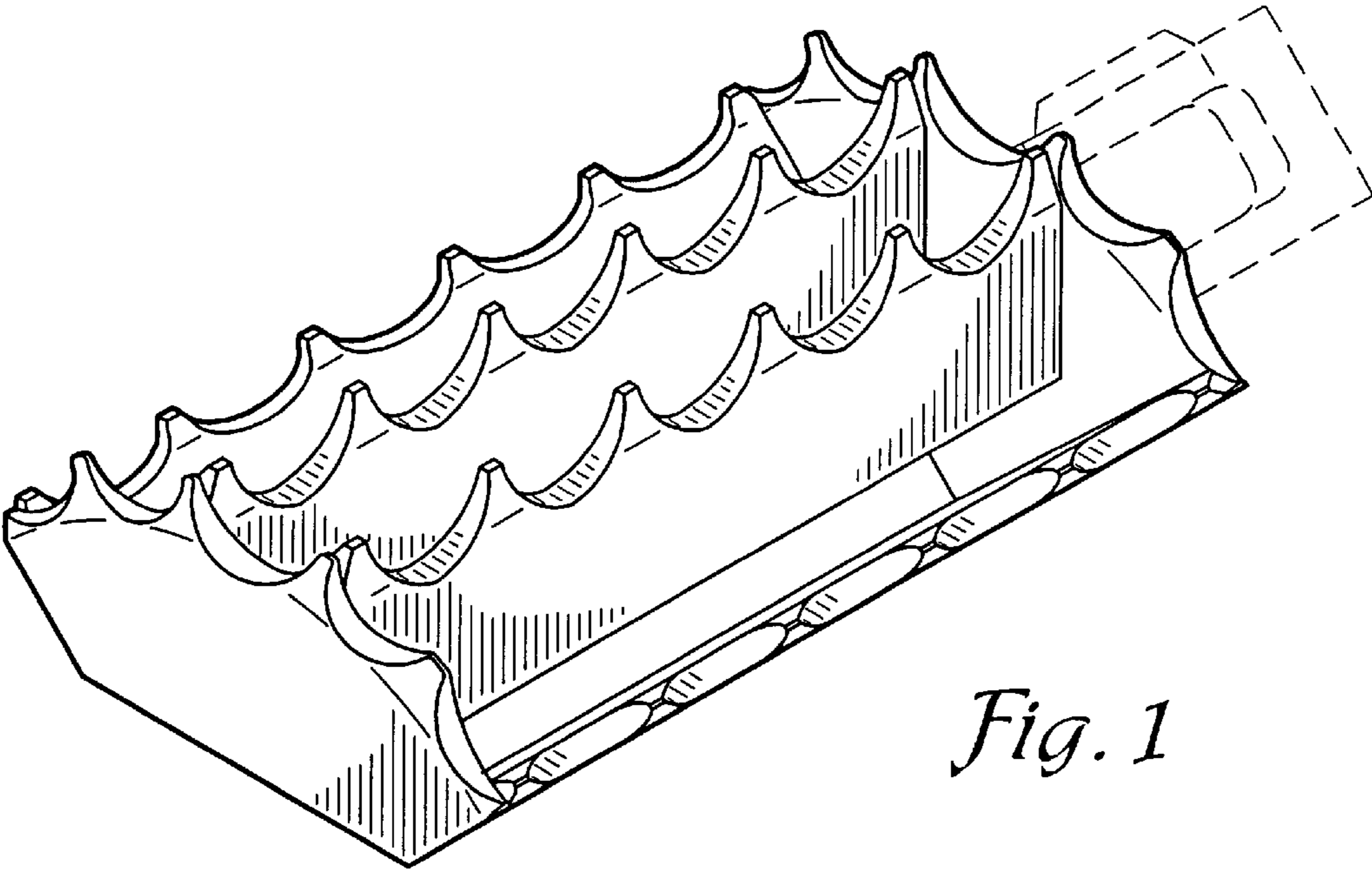
**U.S. PATENT DOCUMENTS**

615,595 A	12/1898	Wagner
D282,154 S	1/1986	Cruze et al.
D282,652 S	2/1986	Nista
D401,535 S	11/1998	Joseph, Jr.
6,161,859 A	12/2000	Cheng

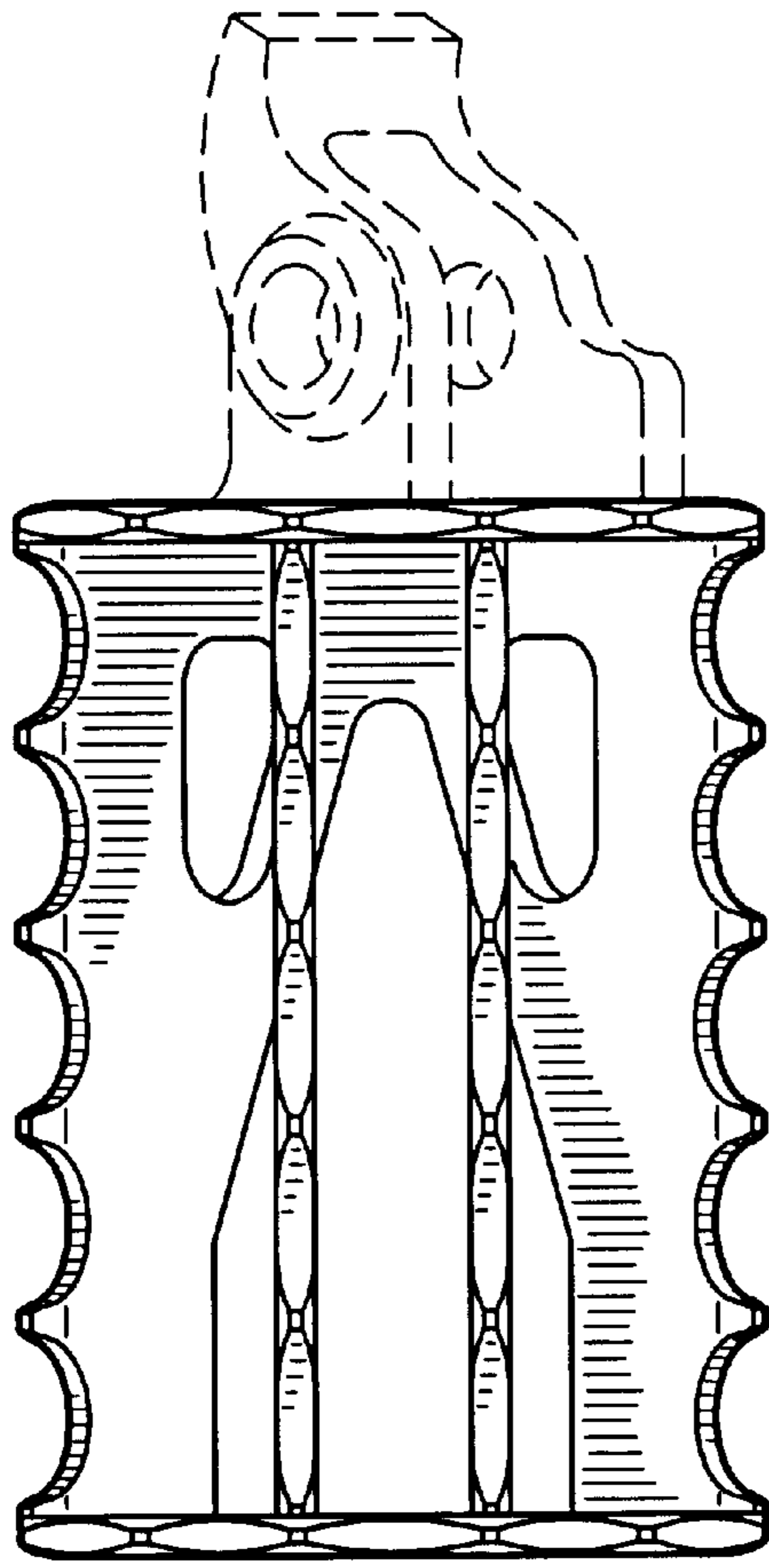
FIG. 1 is a perspective view of a foot peg device for a wheeled vehicle, showing my new design, with a connector for coupling the device to the left side of a wheeled vehicle shown in phantom;  
FIG. 2 is a top plan view thereof;  
FIG. 3 is a bottom plan view thereof;  
FIG. 4 is an end view thereof;  
FIG. 5 is an end view thereof;  
FIG. 6 is a front elevational view thereof; and,  
FIG. 7 is a rear elevational view thereof.

**1 Claim, 3 Drawing Sheets**

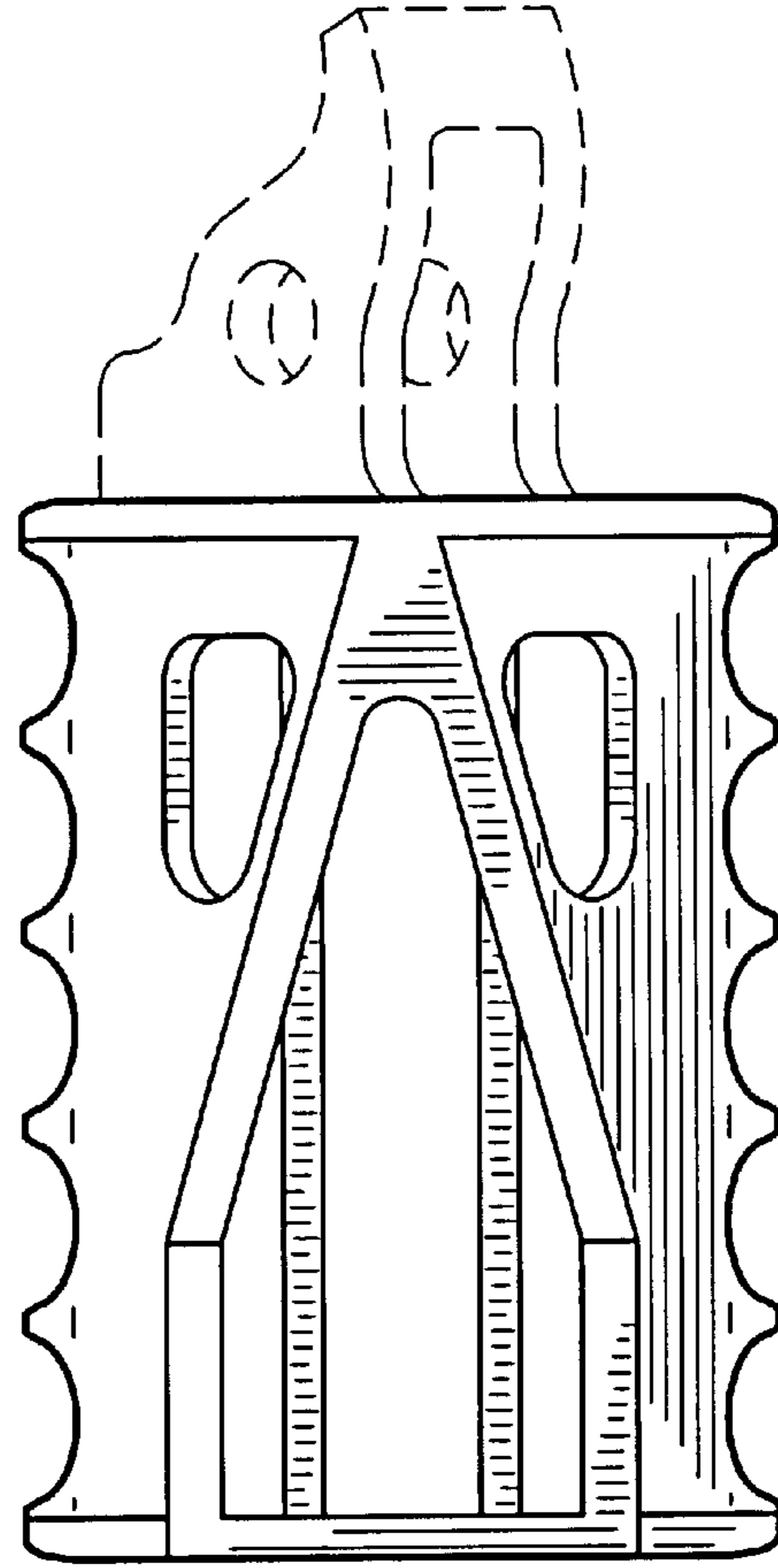




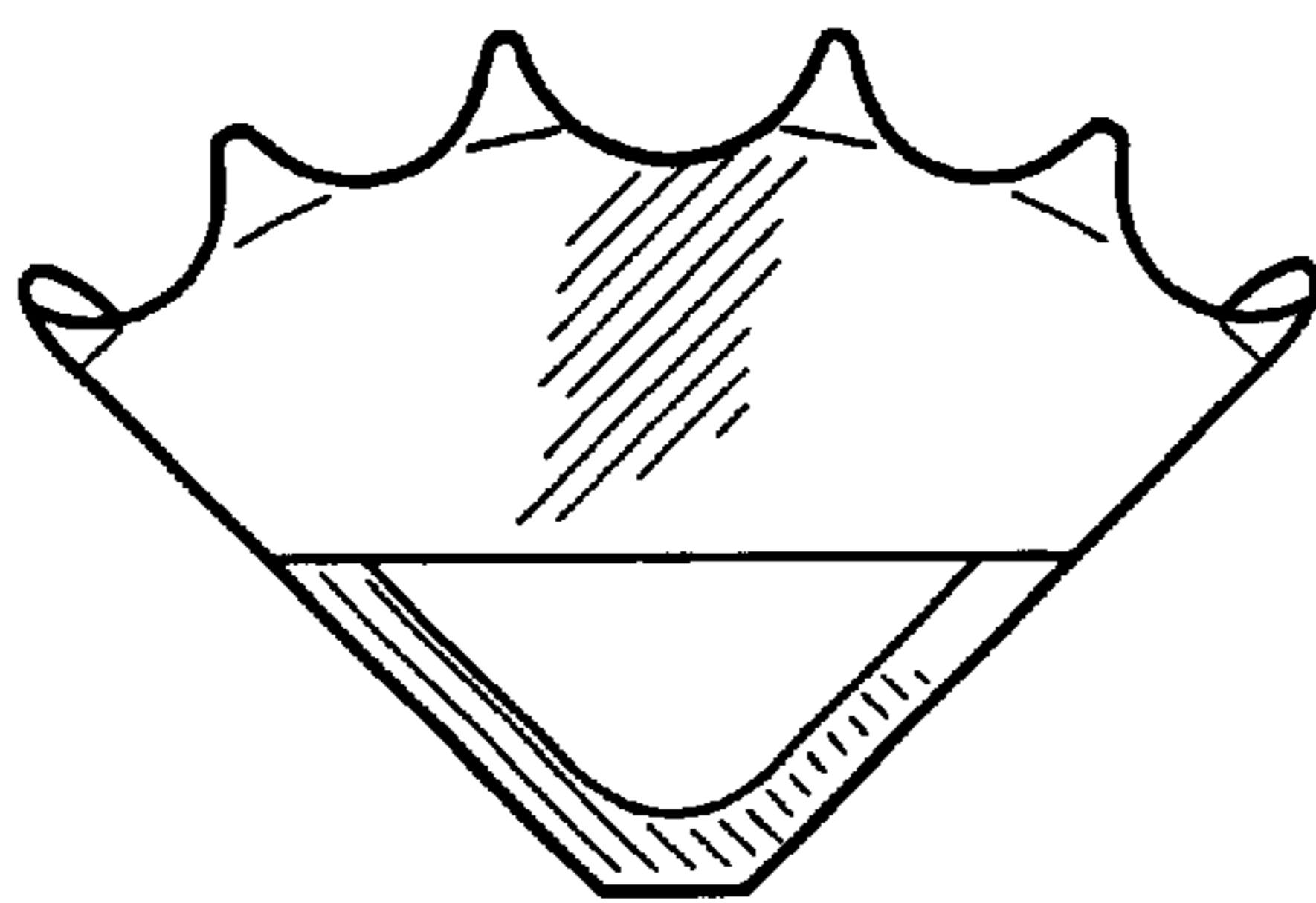
*Fig. 1*



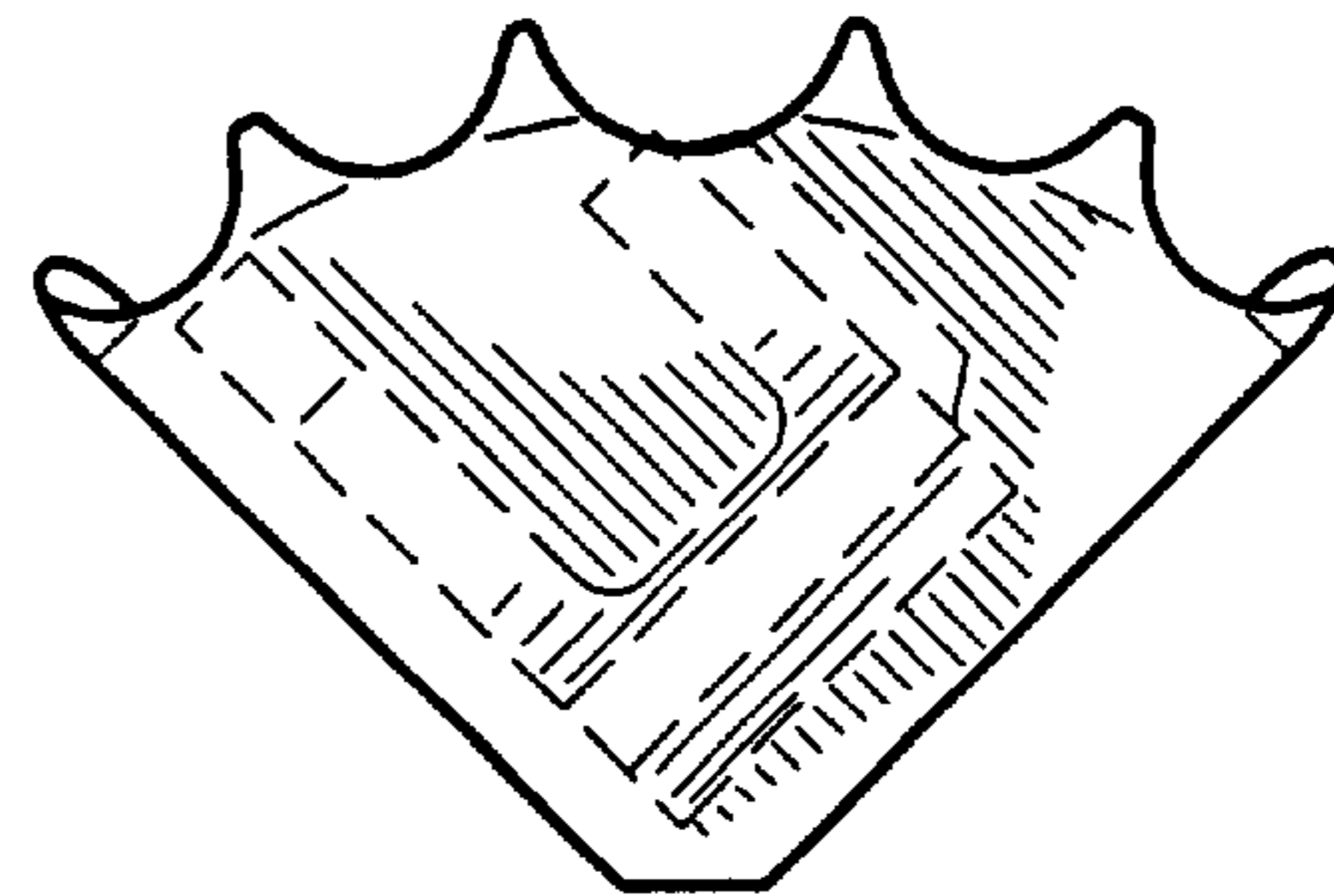
*Fig. 2*



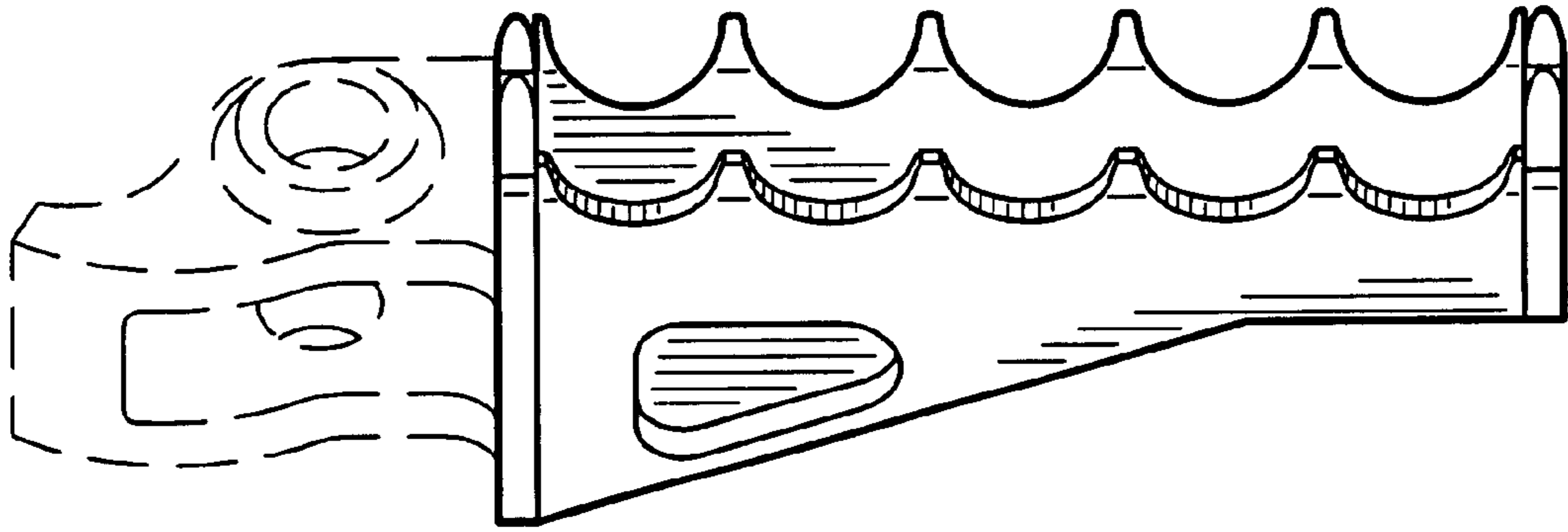
*Fig. 3*



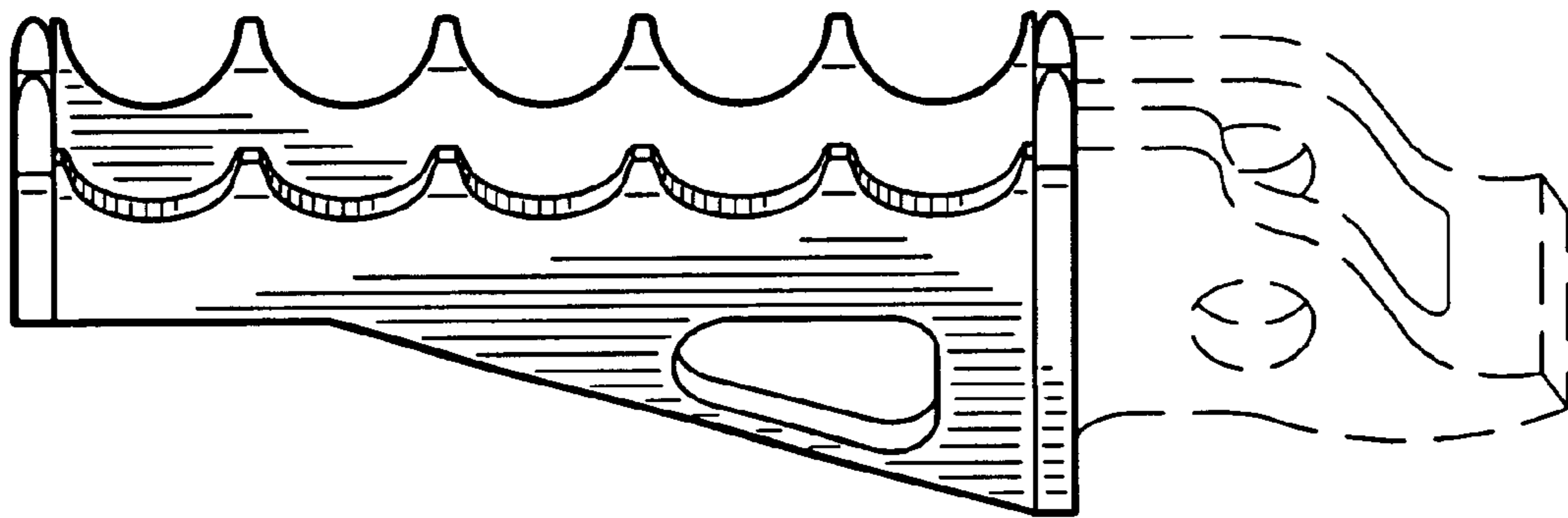
*Fig. 4*



*Fig. 5*



*Fig. 6*



*Fig. 7*