



US00D524193S

(12) **United States Design Patent**
Hong

(10) **Patent No.:** **US D524,193 S**

(45) **Date of Patent:** **** Jul. 4, 2006**

(54) **FRAME OF TRICYCLE**

D183,544 S * 9/1958 Schreckengost D12/113

(76) Inventor: **Jae Hyun Hong**, 14065 Stage Rd.,
Bloomfield Commerce Center, Sante Fe
Springs, CA (US) 90670

* cited by examiner

Primary Examiner—Alan P. Douglas

Assistant Examiner—Linda Brooks

(74) *Attorney, Agent, or Firm*—Park Law Firm; John K.
Park

(**) Term: **14 Years**

(21) Appl. No.: **29/228,938**

(57) **CLAIM**

(22) Filed: **Apr. 29, 2005**

The ornamental design for a frame of tricycle, as shown and
described.

(51) **LOC (8) Cl.** **12-11**

DESCRIPTION

(52) **U.S. Cl.** **D12/112**

(58) **Field of Classification Search** D12/111,
D12/117–119, 112, 113; D21/432, 435, 538;
280/259, 260, 263, 270, 271, 274, 281.1,
280/282, 288.3

FIG. 1 is a perspective view of a frame of tricycle showing
my new design;

FIG. 2 is another perspective view thereof;

FIG. 3 is still another perspective view thereof;

FIG. 4 is a front elevation view thereof;

FIG. 5 is a rear elevation view thereof;

FIG. 6 is a top plan view thereof; and

FIG. 7 is a bottom view thereof; and,

FIG. 8 is a left side view thereof.

See application file for complete search history.

The broken lines shown are for illustrative purposes only
and form no part of the claimed design.

(56) **References Cited**

U.S. PATENT DOCUMENTS

2,207,161 A * 7/1940 Roe 280/282

1 Claim, 8 Drawing Sheets

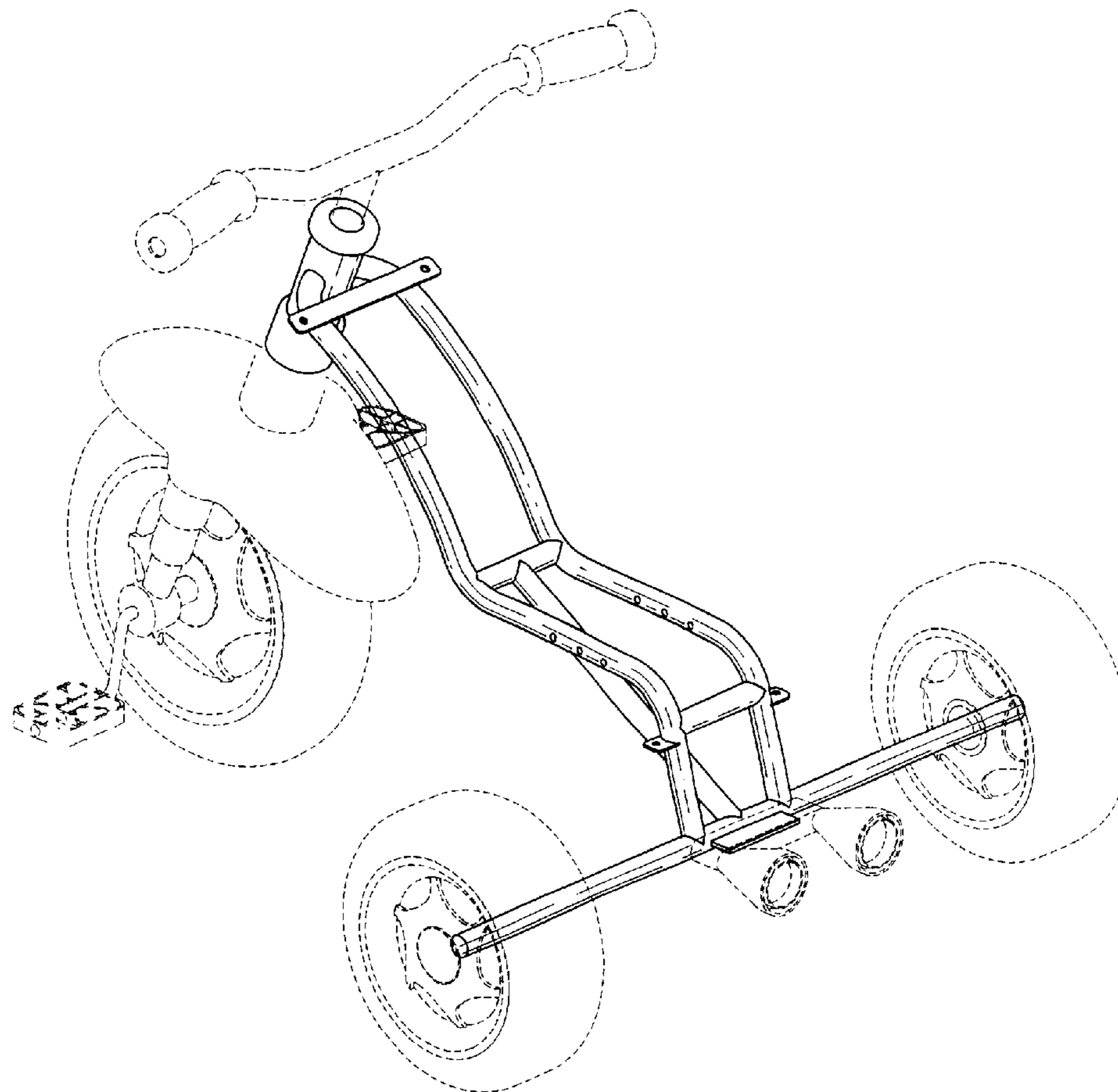


FIG. 1

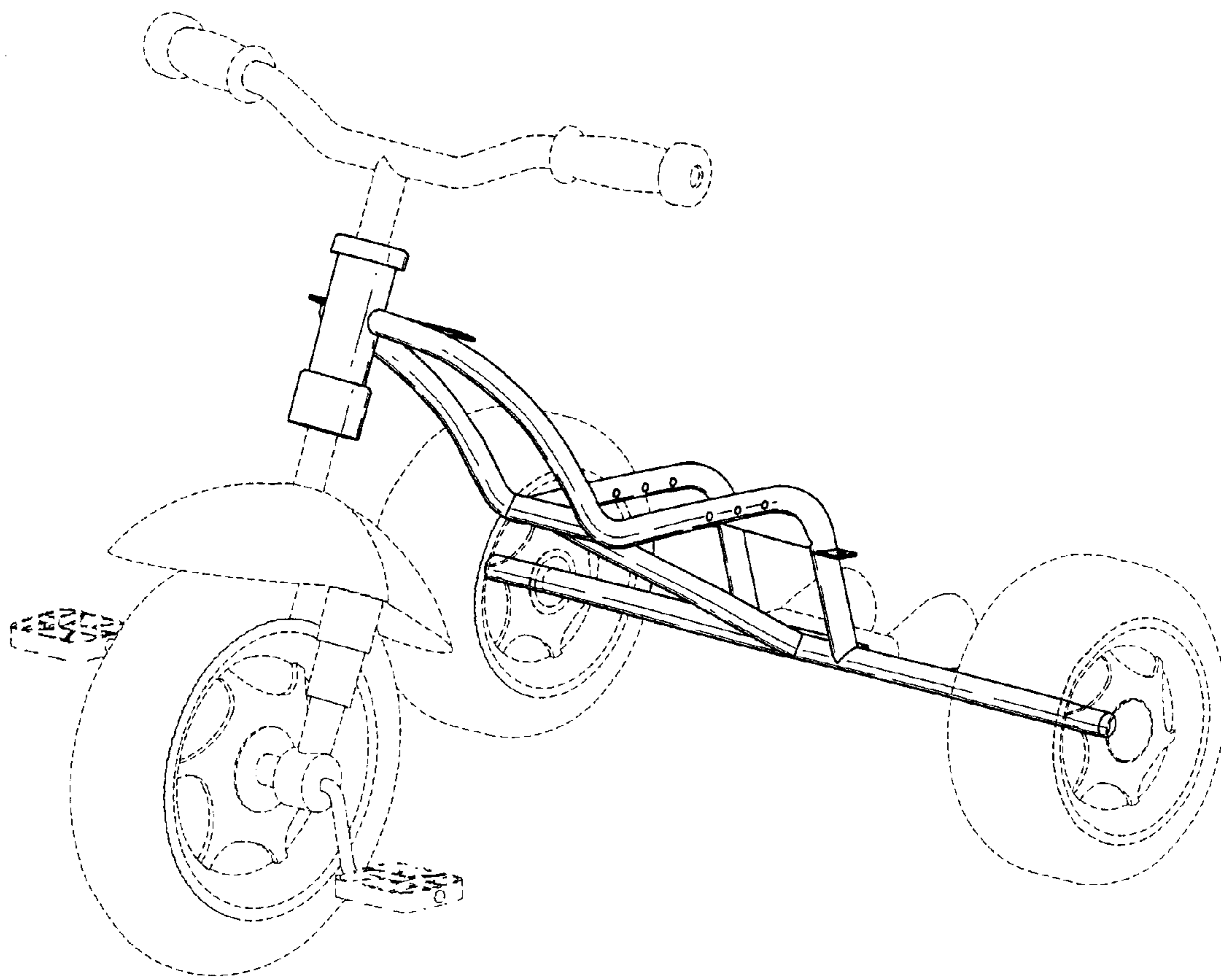


FIG. 2

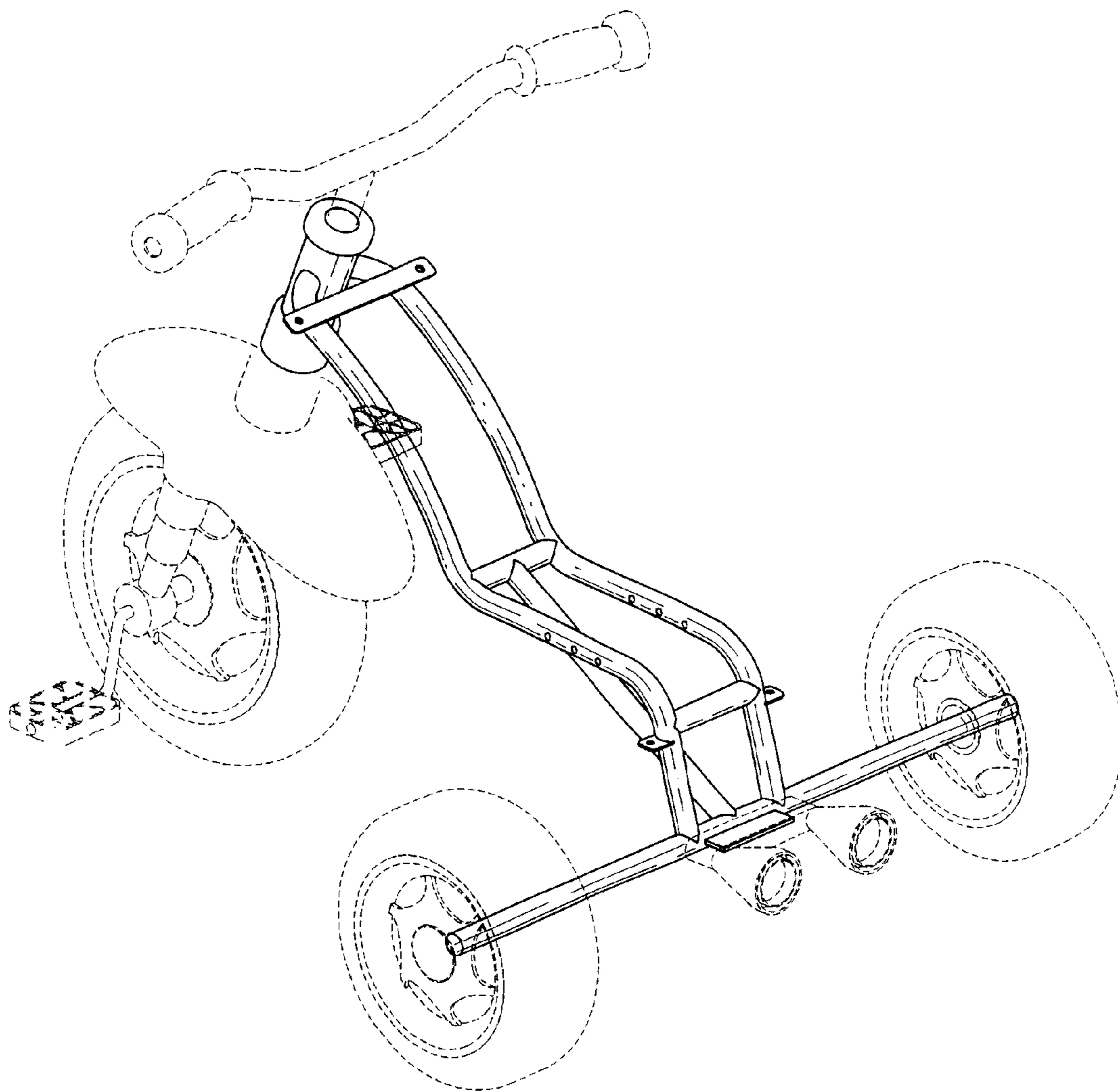


FIG. 3

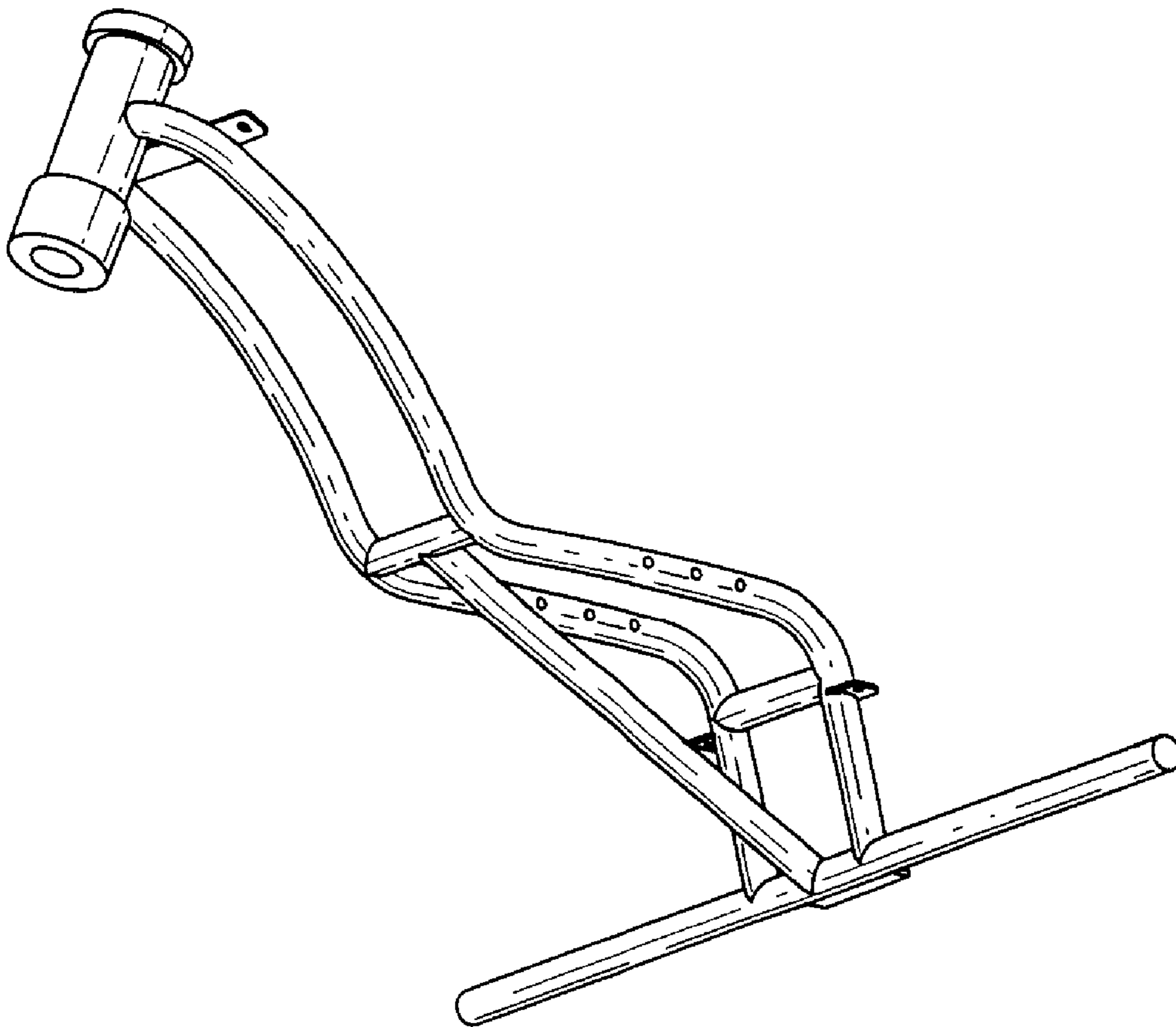


FIG. 4

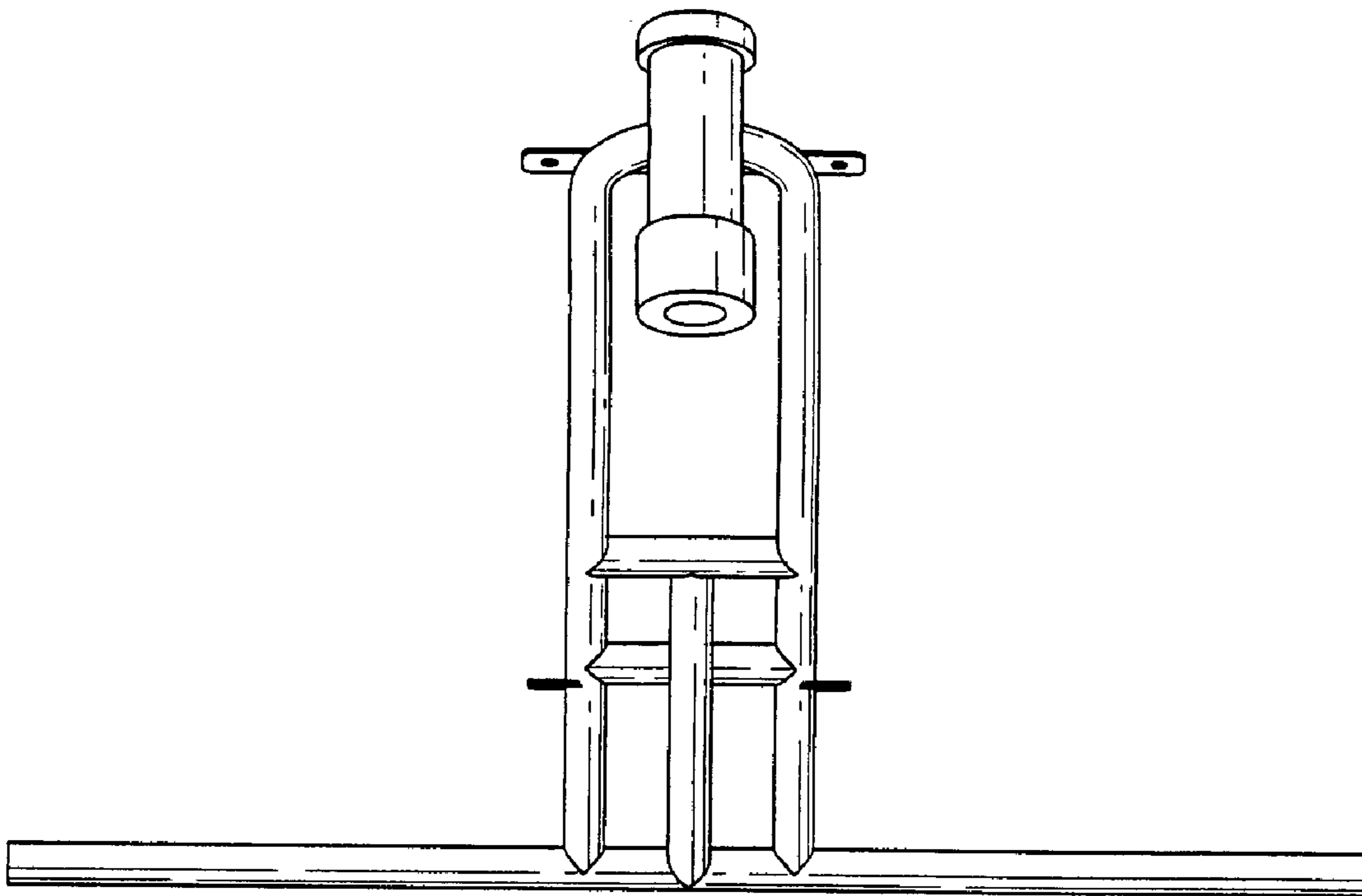


FIG. 5

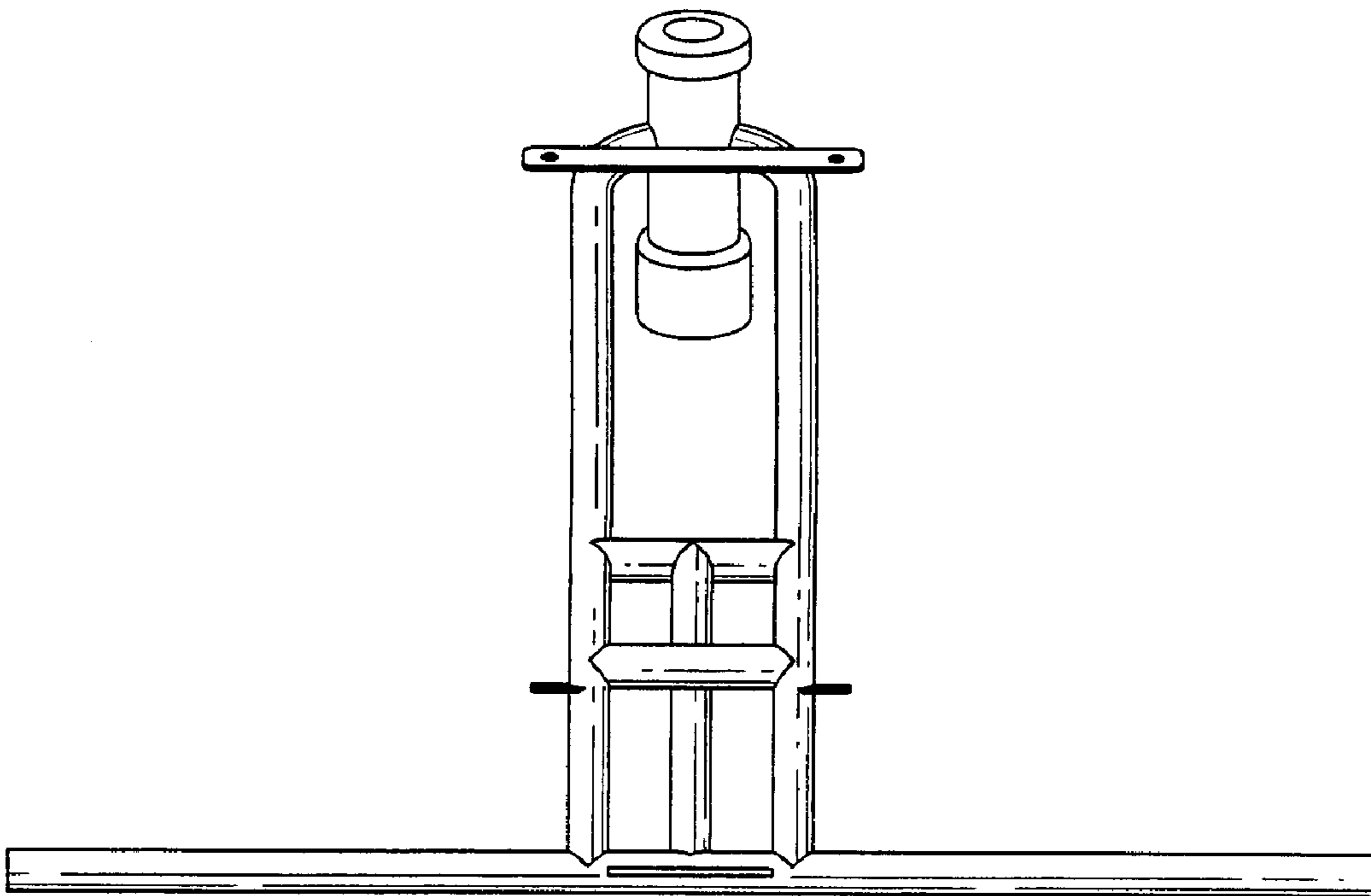


FIG. 6

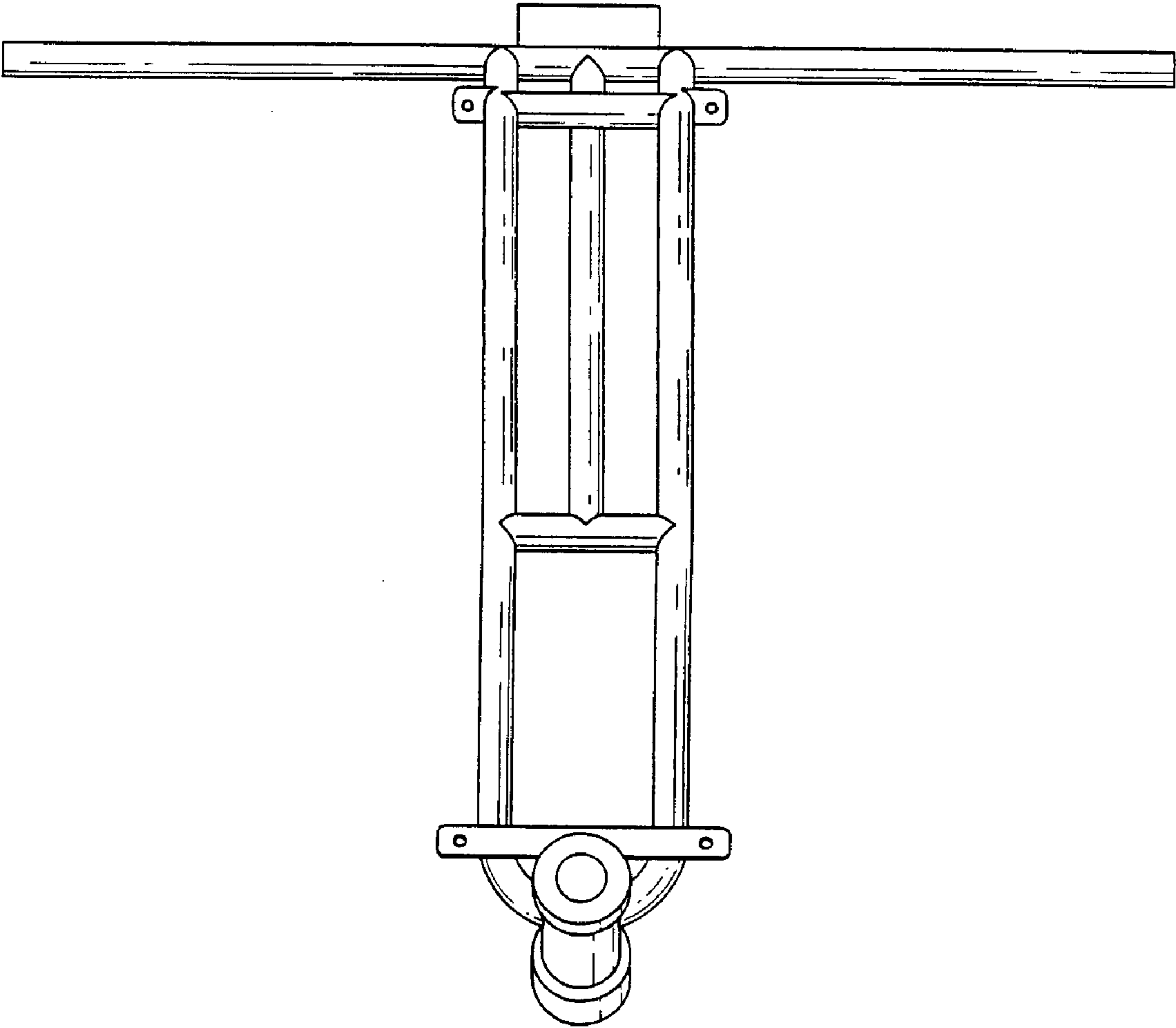


FIG. 7

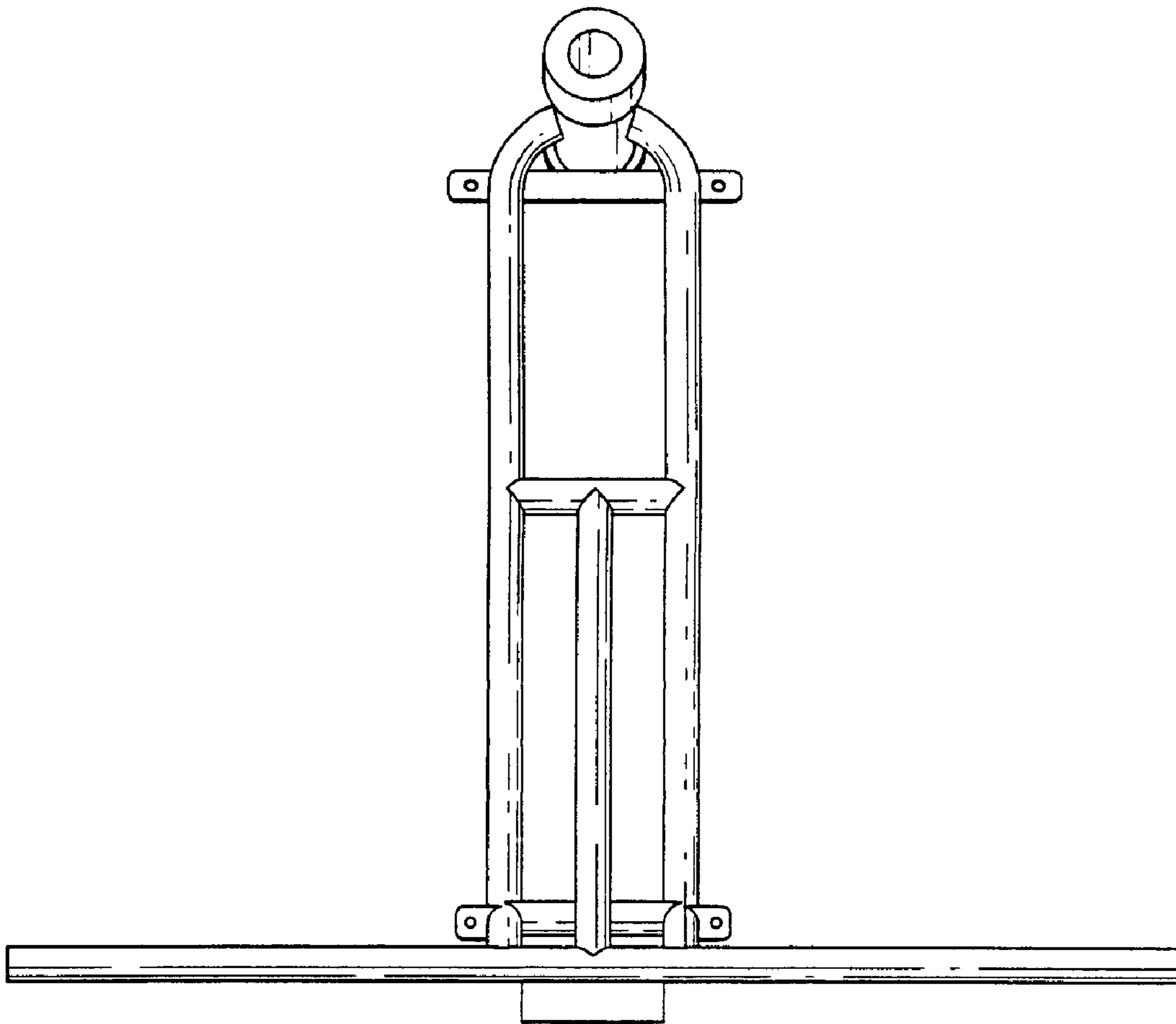


FIG. 8

