



US00D524191S

(12) **United States Design Patent**
Sugimoto

(10) **Patent No.:** **US D524,191 S**

(45) **Date of Patent:** **** Jul. 4, 2006**

(54) **MOTORCYCLE**

(75) Inventor: **Yoshio Sugimoto**, Tokyo-to (JP)

(73) Assignee: **Yamaha Hatsudoki Kabushiki Kaisha**
(JP)

(**) Term: **14 Years**

(21) Appl. No.: **29/222,732**

(22) Filed: **Feb. 3, 2005**

(51) **LOC (8) Cl.** **12-11**

(52) **U.S. Cl.** **D12/110**

(58) **Field of Classification Search** D12/110;
180/219, 225, 229

See application file for complete search history.

(56) **References Cited**

U.S. PATENT DOCUMENTS

- D312,807 S * 12/1990 Kohama et al. D12/110
- D385,226 S * 10/1997 Mogi et al. D12/110
- D387,017 S * 12/1997 Wakita et al. D12/110

D482,639 S * 11/2003 Yamamoto et al. D12/110

* cited by examiner

Primary Examiner—Alan P. Douglas

Assistant Examiner—Linda Brooks

(74) *Attorney, Agent, or Firm*—Ostrolenk, Faber, Gerb & Soffen, LLP

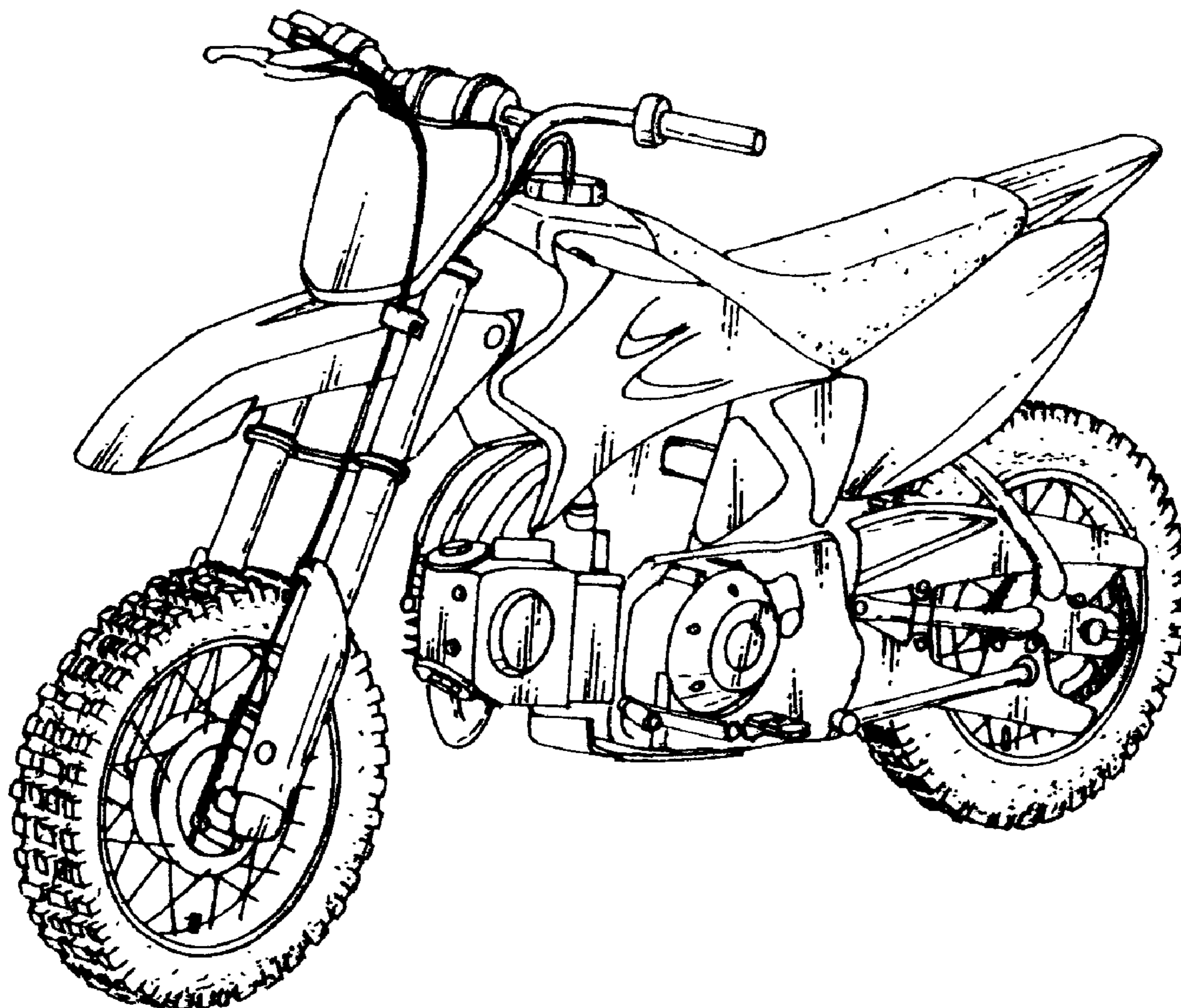
(57) **CLAIM**

The ornamental design for a motorcycle, as shown.

DESCRIPTION

FIG. 1 is a front perspective view of a motorcycle showing our new design;
 FIG. 2 is a rear perspective view thereof;
 FIG. 3 is a right side view thereof;
 FIG. 4 is a left side view thereof;
 FIG. 5 is a front view thereof;
 FIG. 6 is a rear view thereof;
 FIG. 7 is a top view thereof; and,
 FIG. 8 is a bottom view thereof.

1 Claim, 4 Drawing Sheets



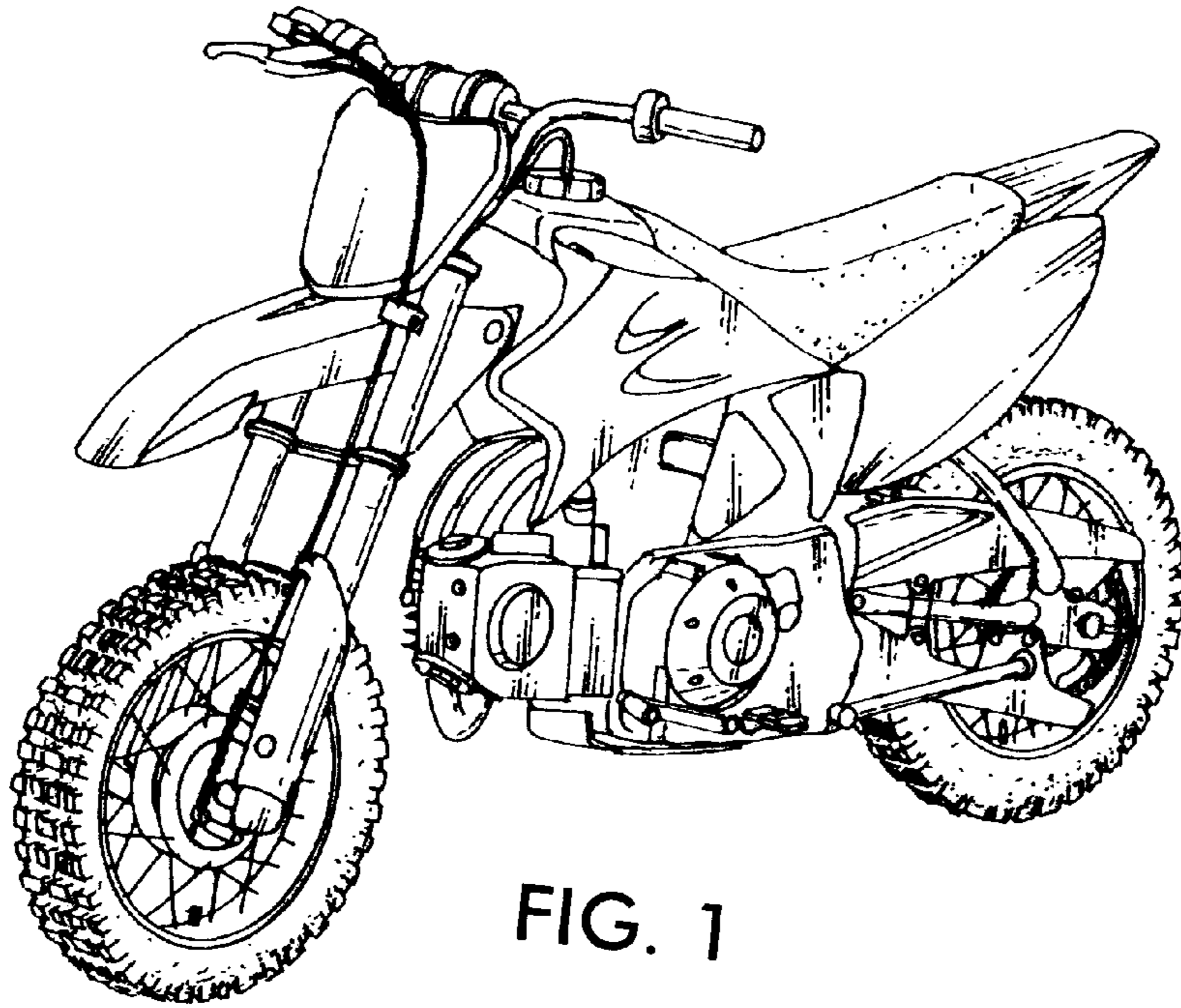


FIG. 1

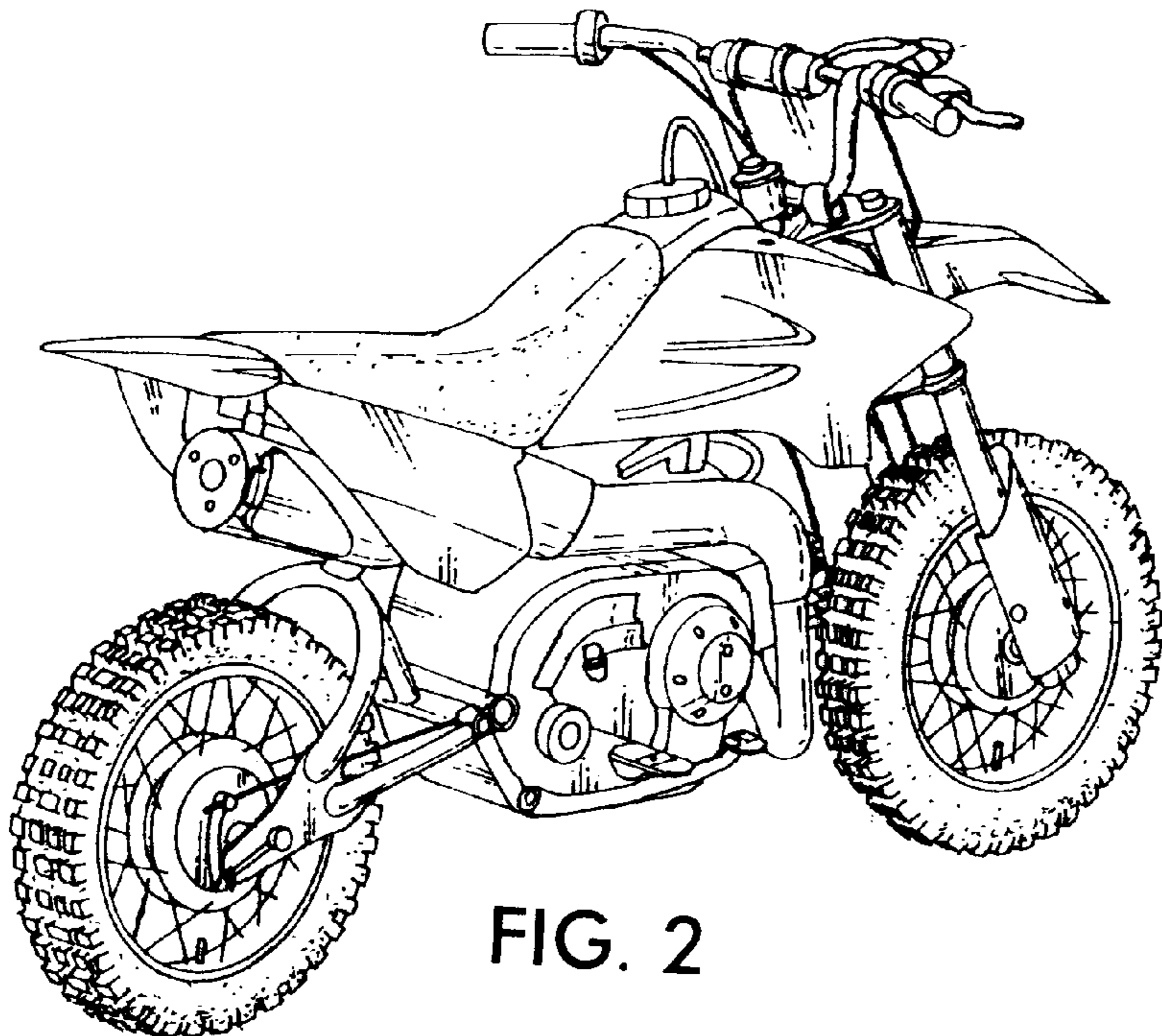


FIG. 2

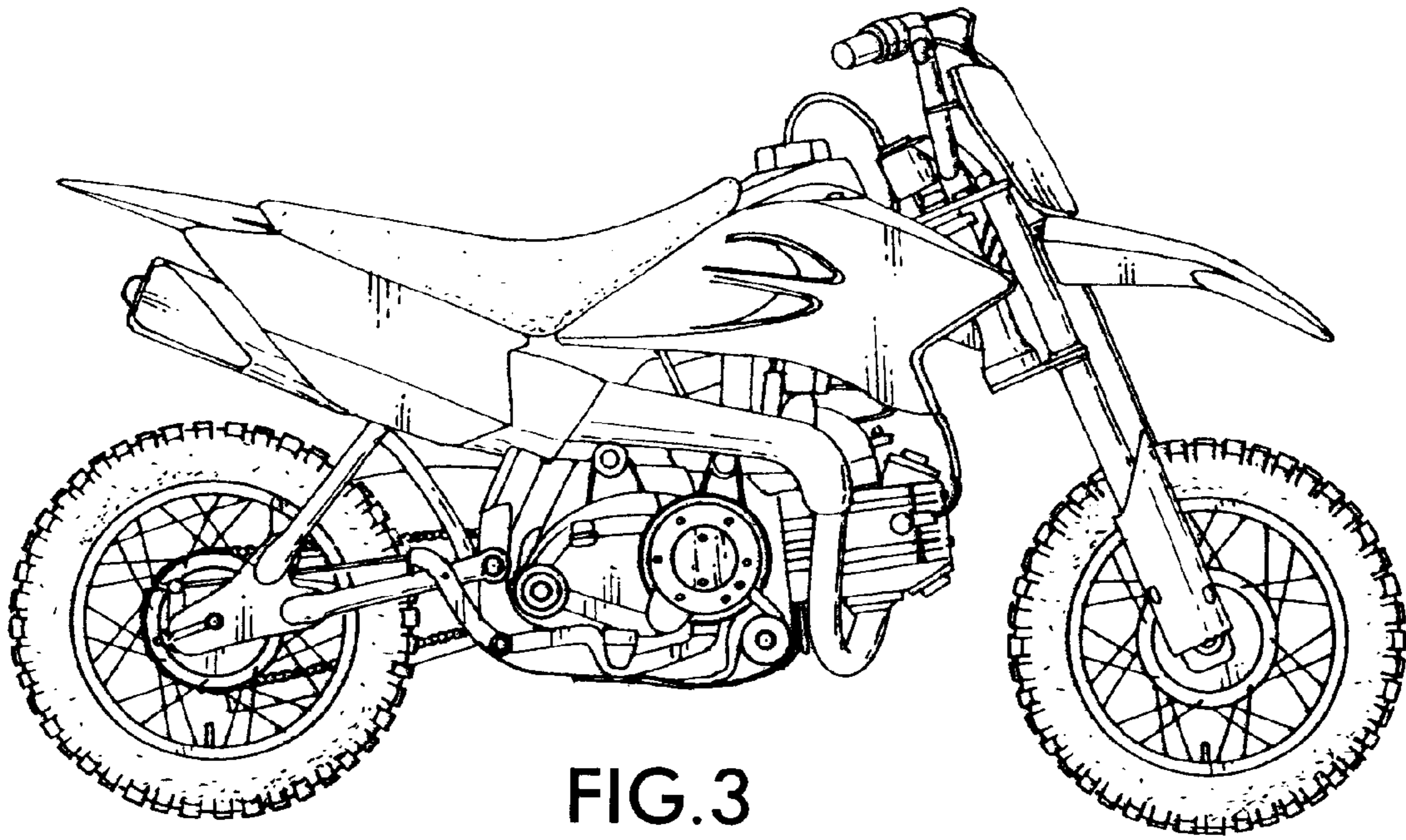


FIG. 3

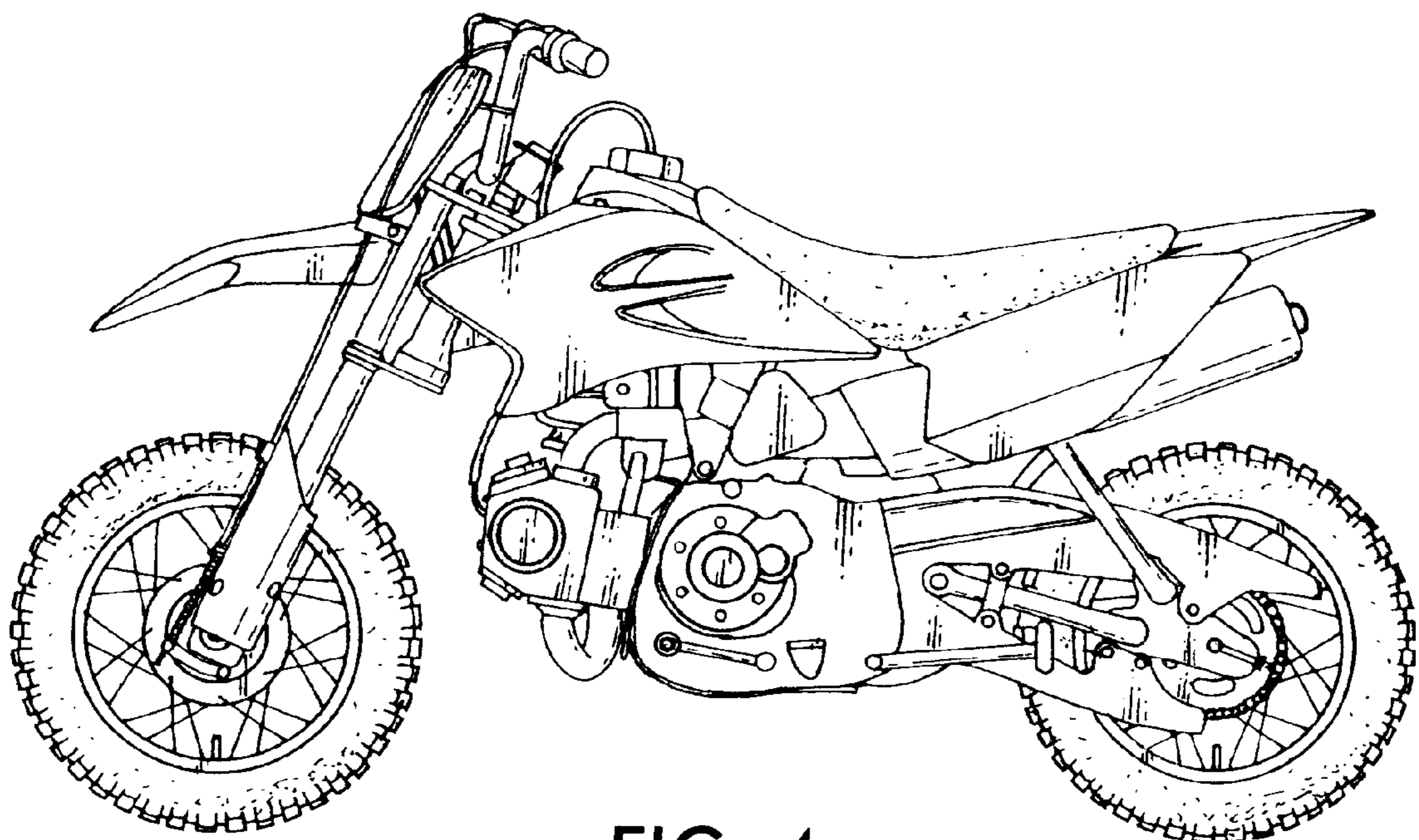


FIG. 4

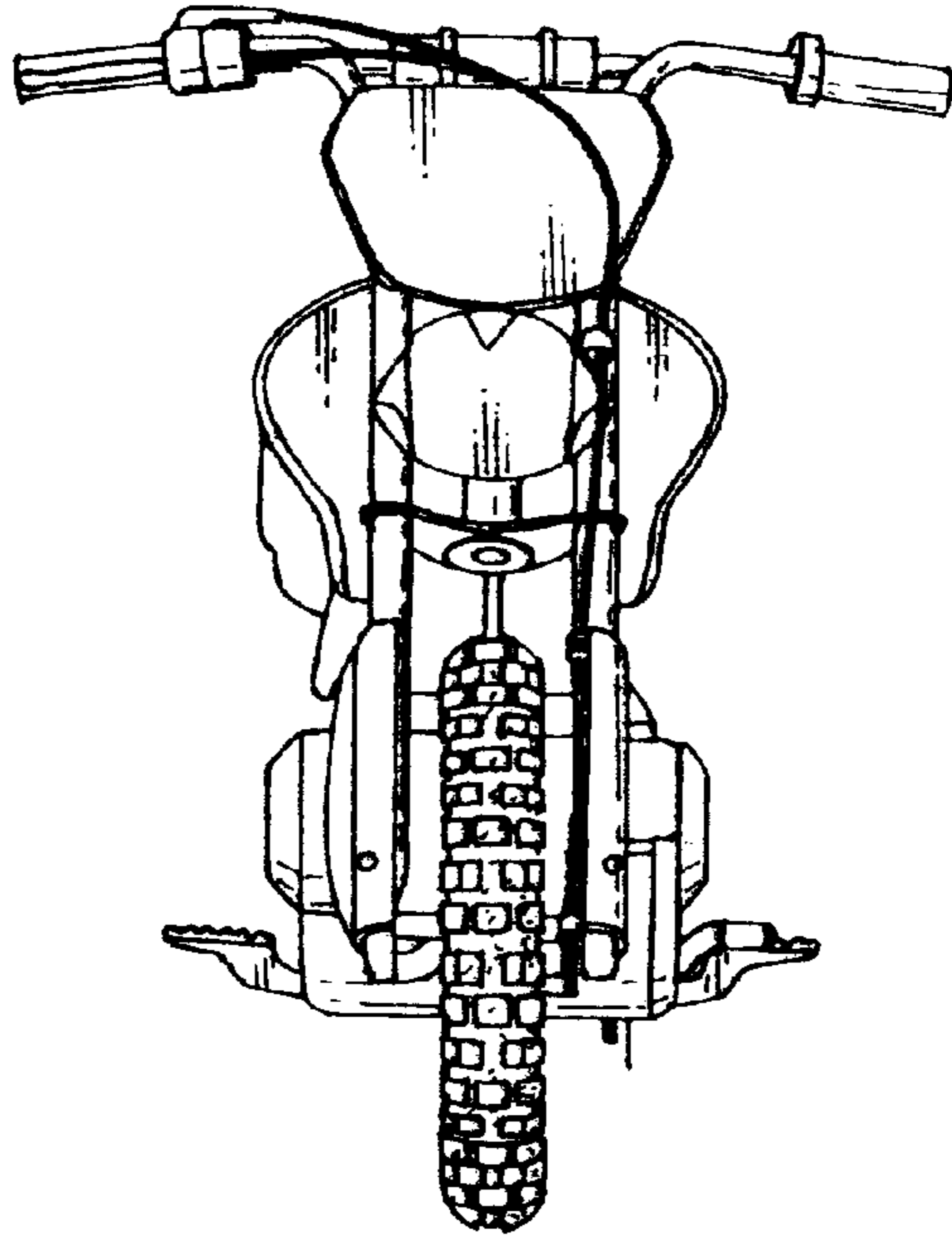


FIG. 5

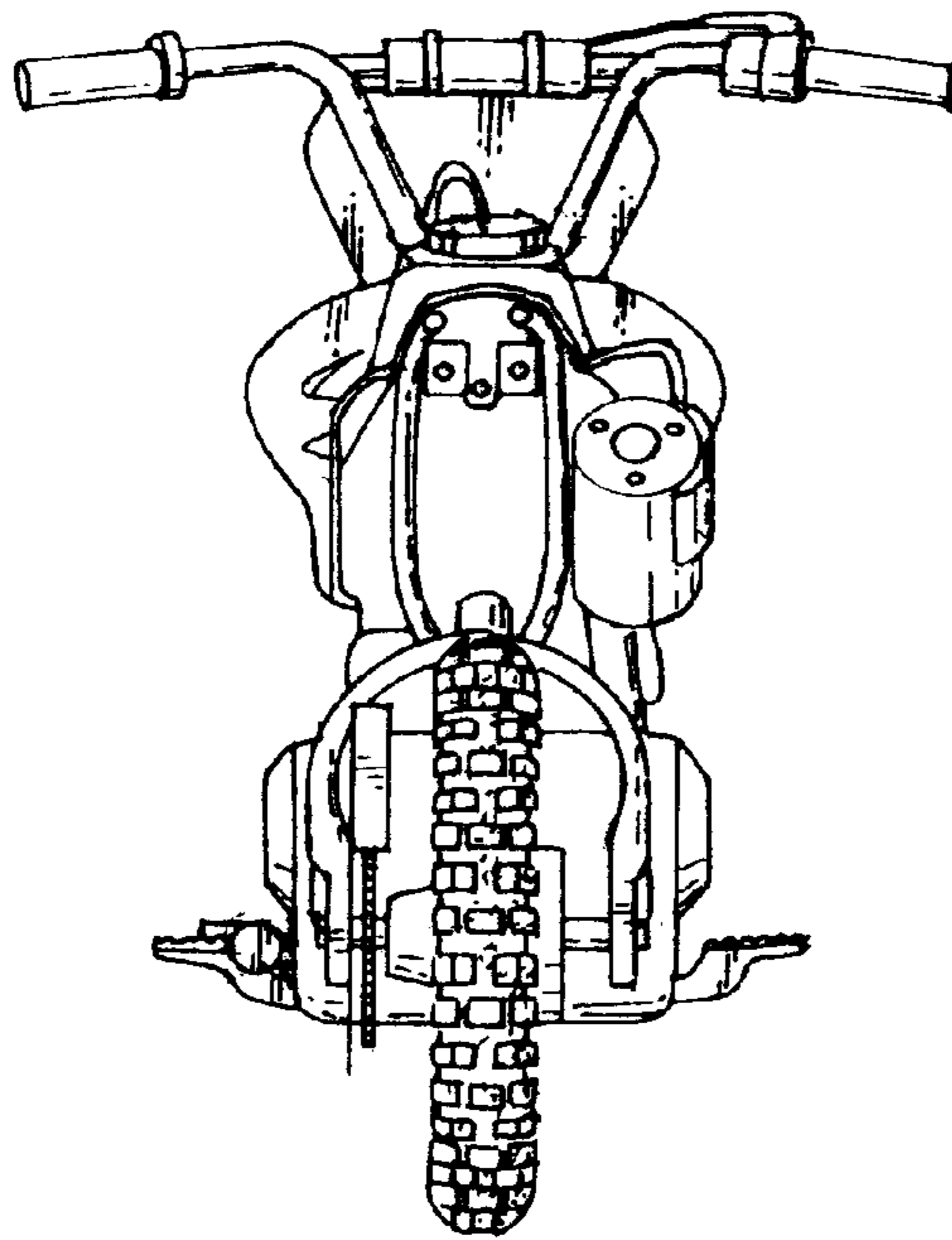


FIG. 6

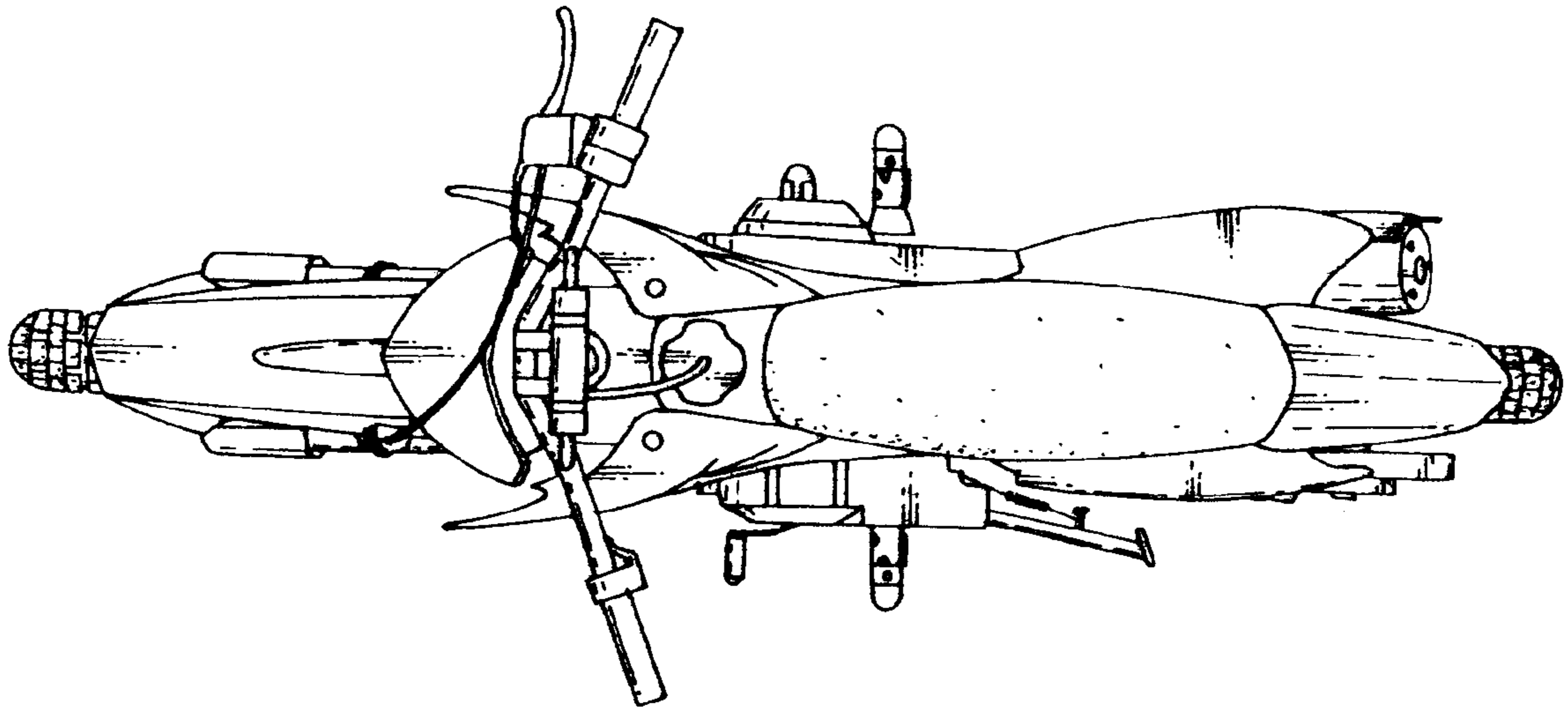


FIG. 7

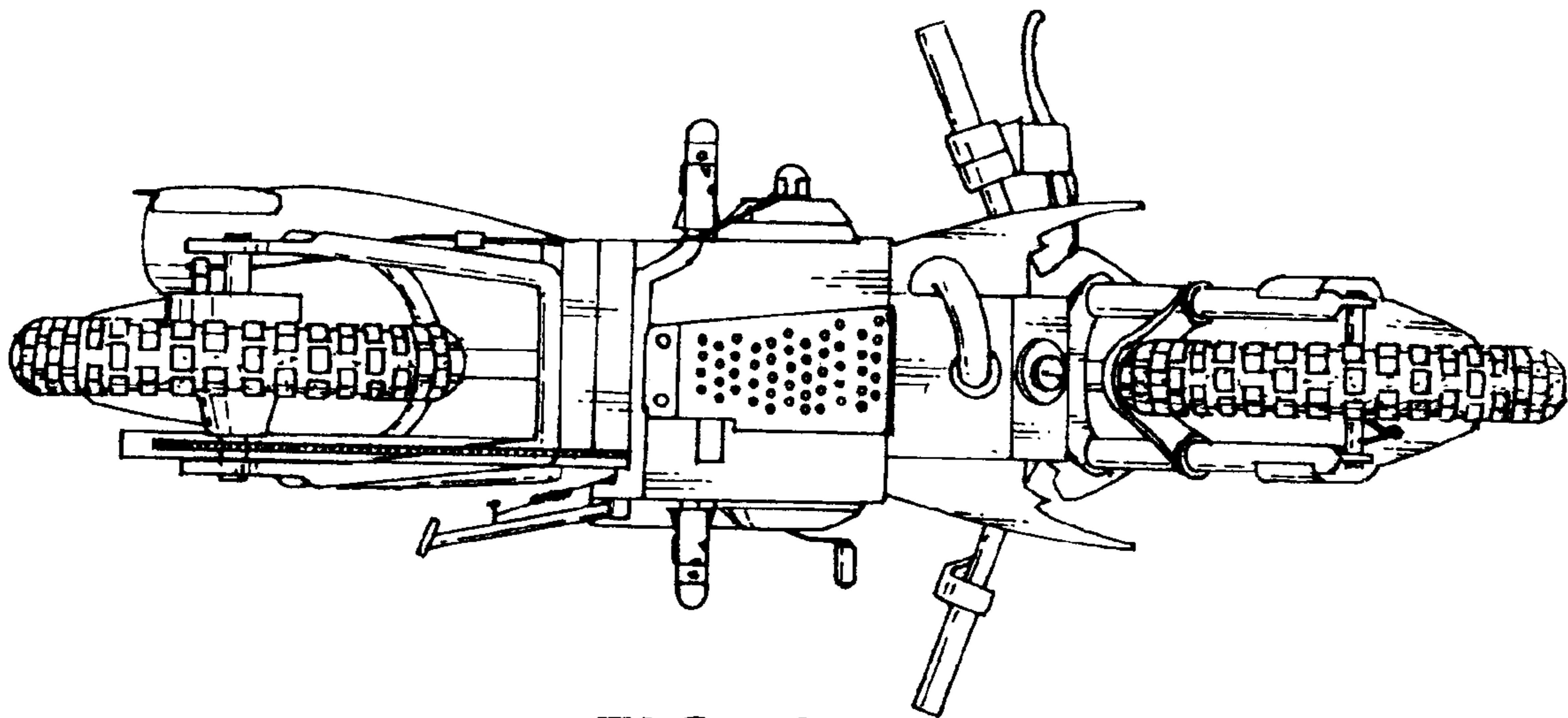


FIG. 8