

US00D524189S

(12) **United States Design Patent**  
**Wheel et al.**

(10) **Patent No.:** **US D524,189 S**  
(45) **Date of Patent:** **\*\* Jul. 4, 2006**

(54) **VEHICLE**

(75) Inventors: **Andrew Wheel**, Wolvey (GB); **Joseph Roberts**, Warwickshire (GB)

(73) Assignee: **Ford Global Technologies, LLC**, Dearborn, MI (US)

(\*\*) Term: **14 Years**

(21) Appl. No.: **29/219,728**

(22) Filed: **Dec. 21, 2004**

(30) **Foreign Application Priority Data**

Aug. 5, 2004 (EM) ..... 000212949

(51) **LOC (8) Cl.** ..... **12-08**

(52) **U.S. Cl.** ..... **D12/91**

(58) **Field of Classification Search** ..... D12/90-92,  
D12/86; D21/424, 433; 296/181.1  
See application file for complete search history.

(56) **References Cited**

**U.S. PATENT DOCUMENTS**

D424,980 S \* 5/2000 Hunter et al. .... D12/91

D460,022 S \* 7/2002 Hsu et al. .... D12/91  
D466,053 S \* 11/2002 O'Connell et al. .... D12/91  
D488,743 S \* 4/2004 Takagi et al. .... D12/91  
D510,543 S \* 10/2005 Matsuoka et al. .... D12/91

\* cited by examiner

*Primary Examiner*—Melody N. Brown

(74) *Attorney, Agent, or Firm*—Gigette M. Bejin

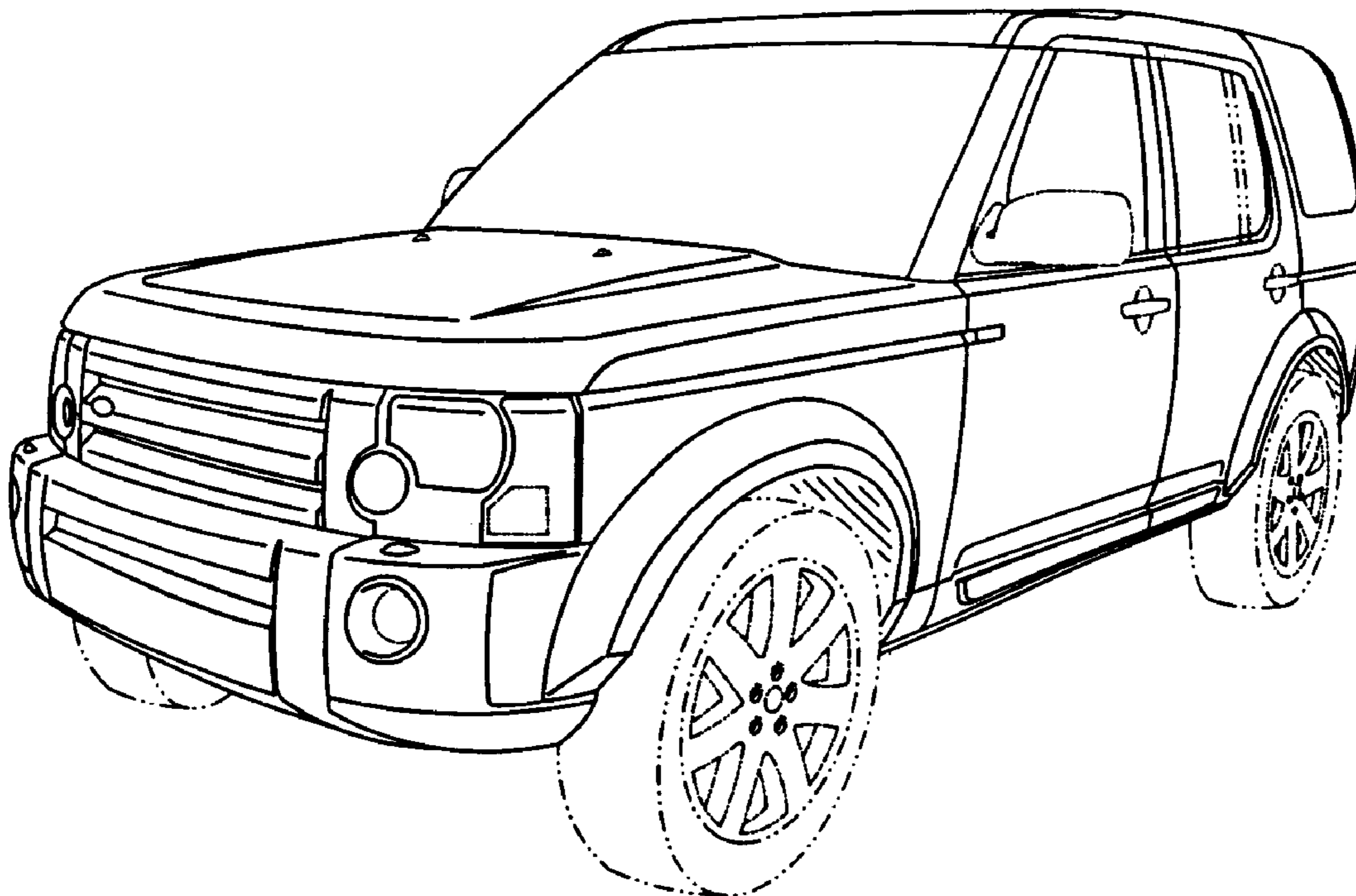
(57) **CLAIM**

The ornamental design for a vehicle, as shown and described.

**DESCRIPTION**

FIG. 1 is a right perspective view of the vehicle;  
FIG. 2 is a top view of the vehicle shown in FIG. 1;  
FIG. 3 is a front view of the vehicle shown in FIG. 1;  
FIG. 4 is a right side view of the vehicle shown in FIG. 1;  
FIG. 5 is a rear view of the vehicle shown in FIG. 1; and  
FIG. 6 is a left side view of the vehicle of FIG. 1; and,  
FIG. 7 is a left perspective view of the vehicle of FIG. 1.  
The broken lines shown throughout the drawing are for illustrative purposes only and form no part of the claim design.

**1 Claim, 4 Drawing Sheets**



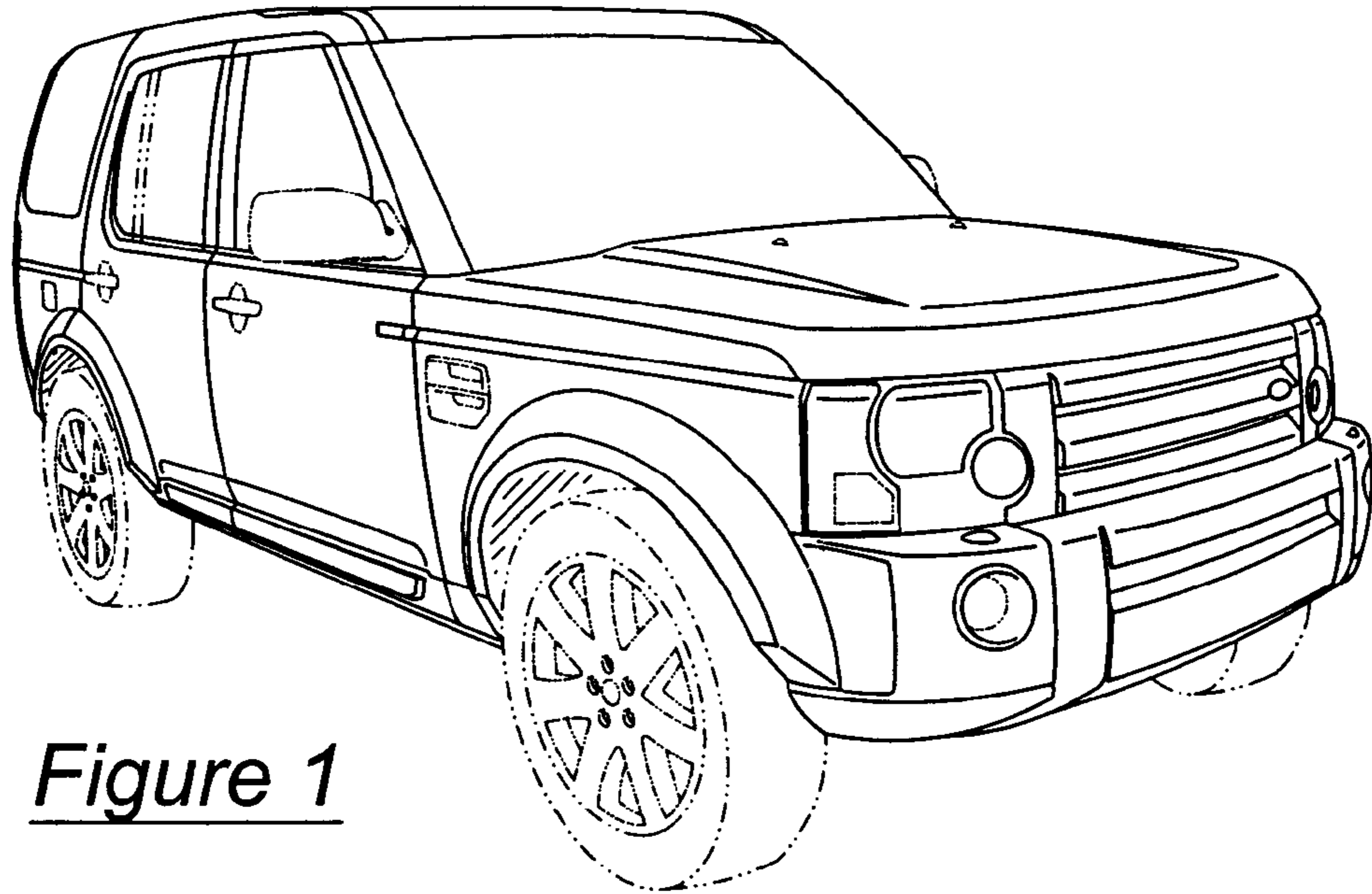


Figure 1

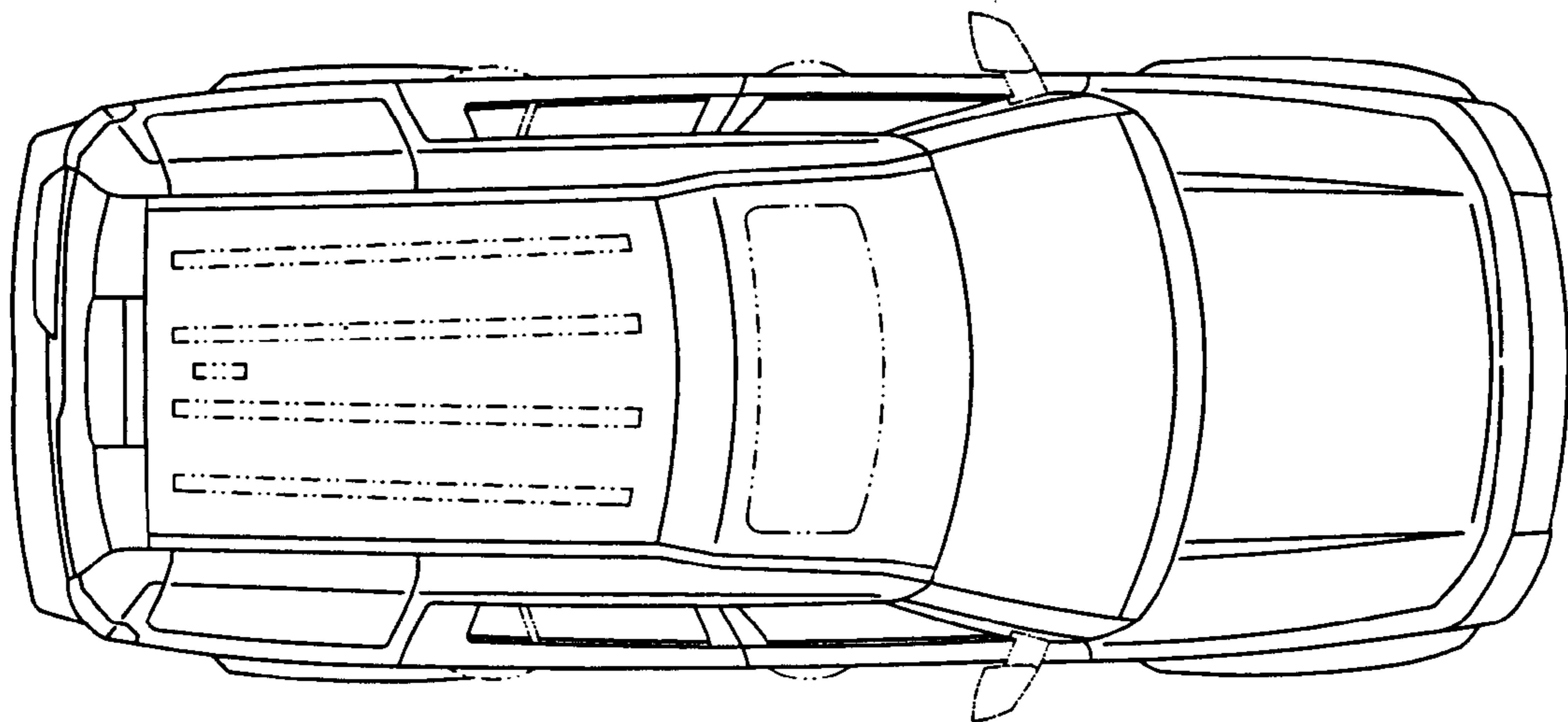


Figure 2

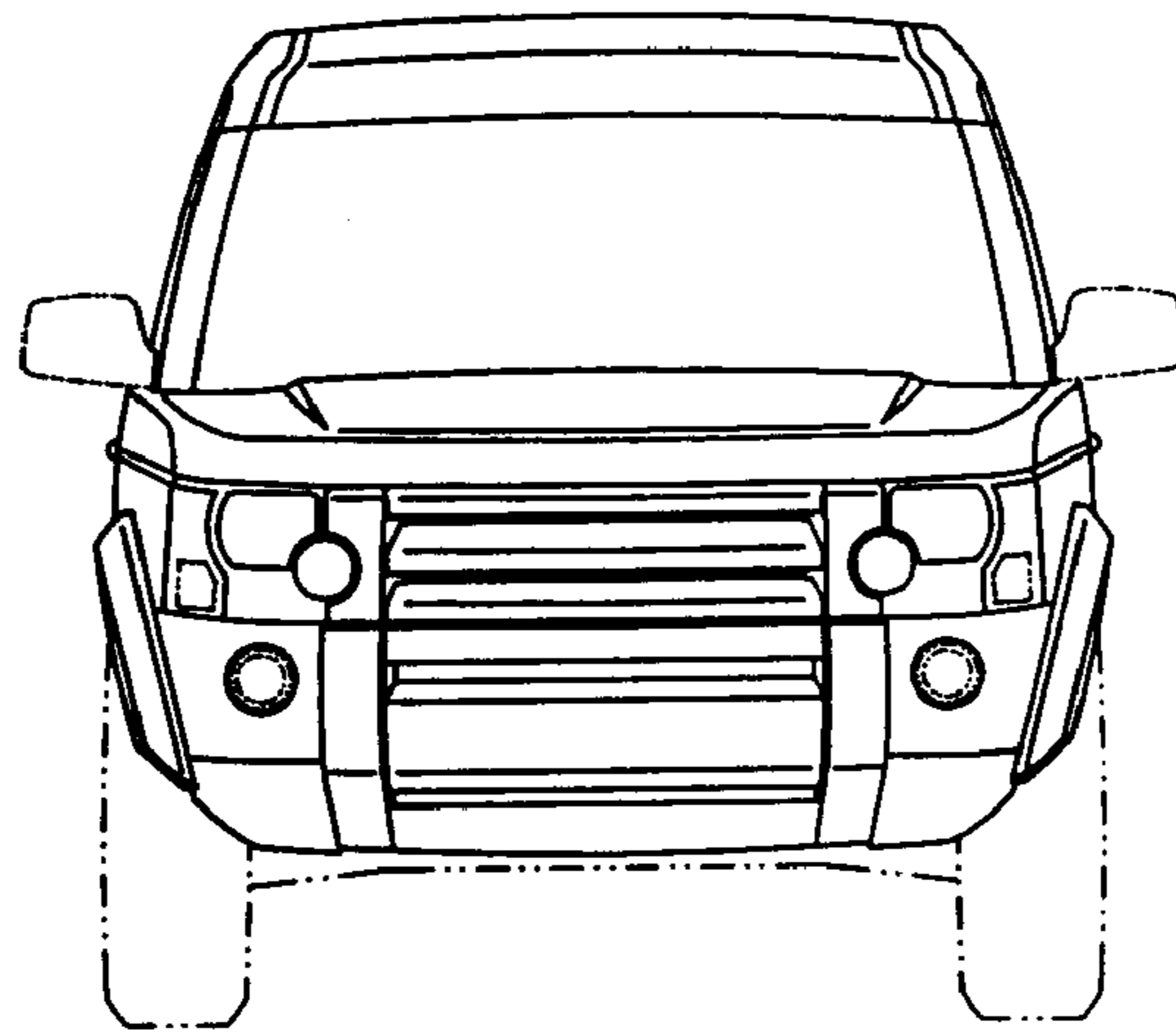


Figure 3

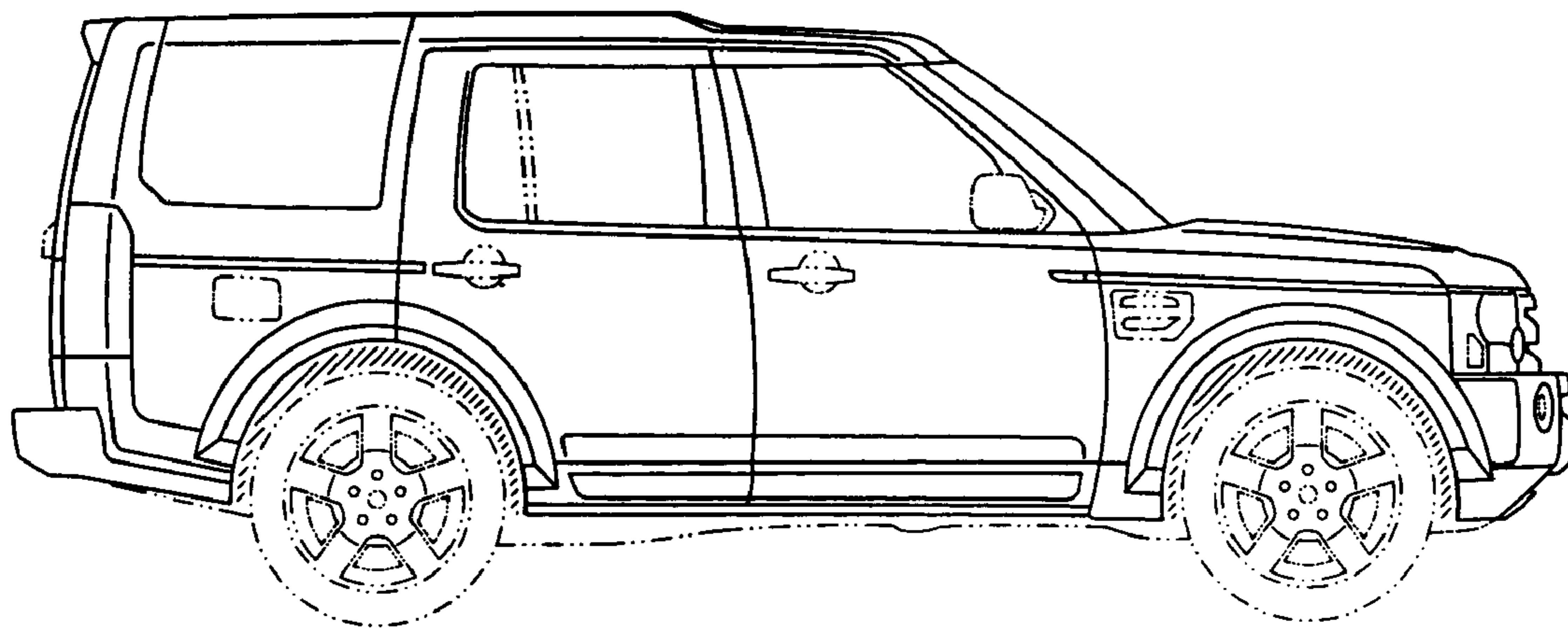


Figure 4

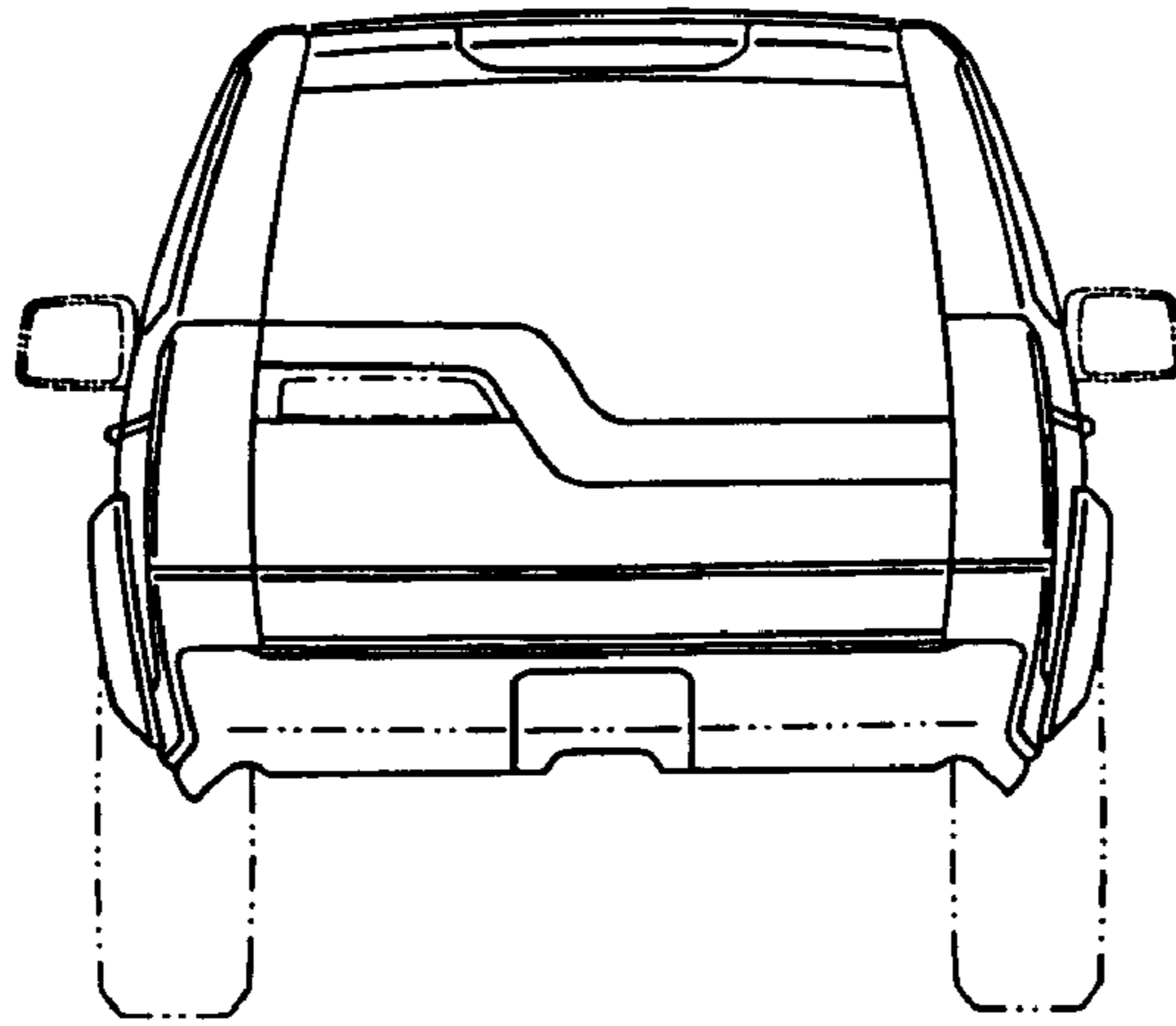


Figure 5

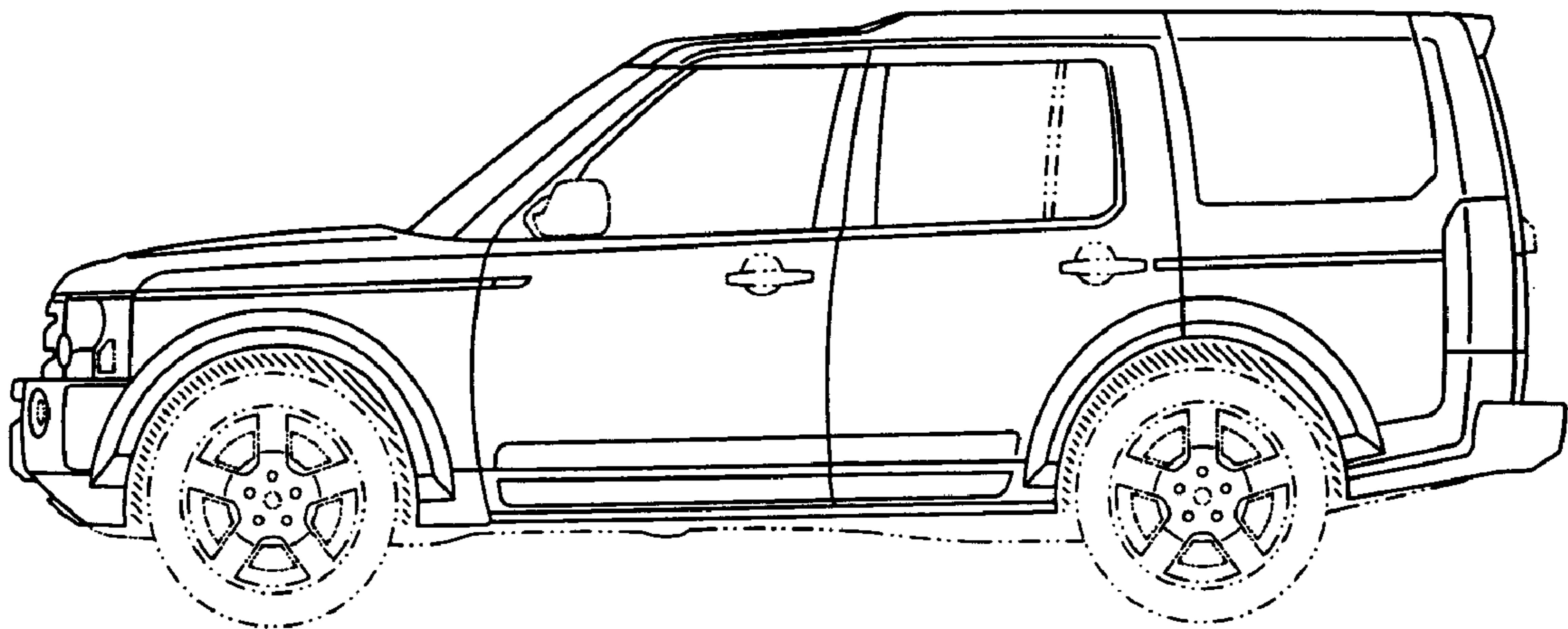


Figure 6



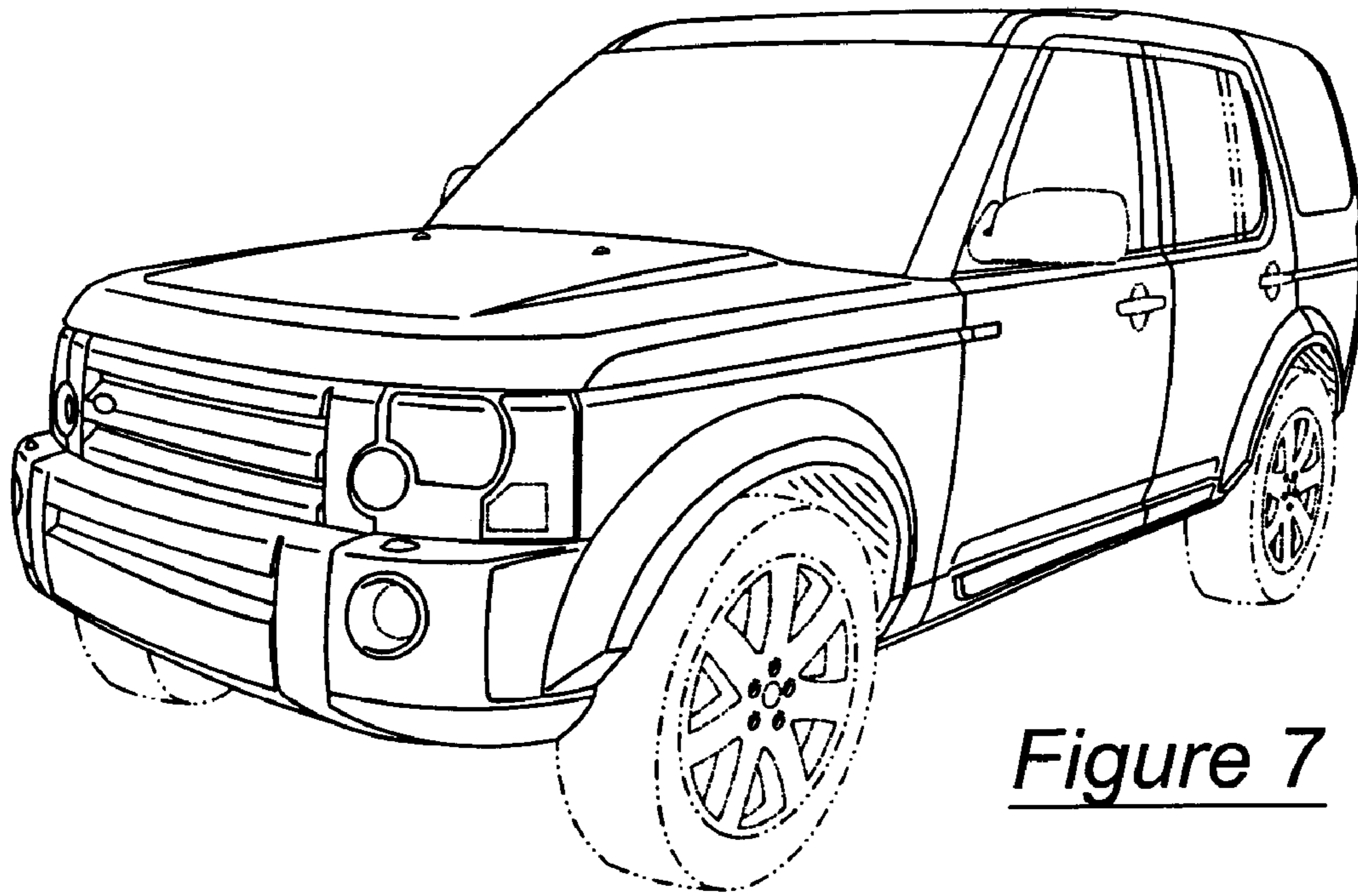


Figure 7