



US00D524179S

(12) **United States Design Patent**
Krampitz et al.

(10) **Patent No.:** **US D524,179 S**

(45) **Date of Patent:** **** Jul. 4, 2006**

(54) **ALTERNATOR/STARTER BENCH TESTER**

5,767,661 A * 6/1998 Williams 340/636.15
D419,463 S * 1/2000 Wang D10/77

(75) Inventors: **Scott Krampitz**, Blooming Prairie, MN
(US); **Kurt Raichle**, Owatonna, MN
(US); **Jason Murphy**, Austin, MN
(US); **Garret Miller**, Owatonna, MN
(US)

* cited by examiner

Primary Examiner—Antoine D. Davis
Assistant Examiner—Patricia Palasik
(74) *Attorney, Agent, or Firm*—Baker & Hostetler LLP

(73) Assignee: **SPX Corporation**, Charlotte, NC (US)

(57) **CLAIM**

(**) Term: **14 Years**

The ornamental design for an alternator/starter bench tester, as shown and described.

(21) Appl. No.: **29/216,085**

DESCRIPTION

(22) Filed: **Oct. 29, 2004**

(51) **LOC (8) Cl.** **10-04**

(52) **U.S. Cl.** **D10/77**

(58) **Field of Classification Search** D10/77;
324/425–437, 772; 340/636; 429/90, 91;
269/217; 322/99

See application file for complete search history.

FIG. 1 is a front right perspective view of the alternator/starter bench tester;
FIG. 2 is a front left perspective view of the alternator/starter bench tester;
FIG. 3 is a front left perspective view of the alternator/starter bench tester with a hood in a closed position;
FIG. 4 is a right side elevational view thereof;
FIG. 5 is a front elevational view thereof;
FIG. 6 is a top plan view thereof;
FIG. 7 is a bottom plan view thereof;
FIG. 8 is a rear elevational view thereof; and,
FIG. 9 is a bottom perspective view thereof.

(56) **References Cited**

U.S. PATENT DOCUMENTS

4,070,624 A * 1/1978 Taylor 324/772
5,550,485 A * 8/1996 Falk 324/772

1 Claim, 9 Drawing Sheets

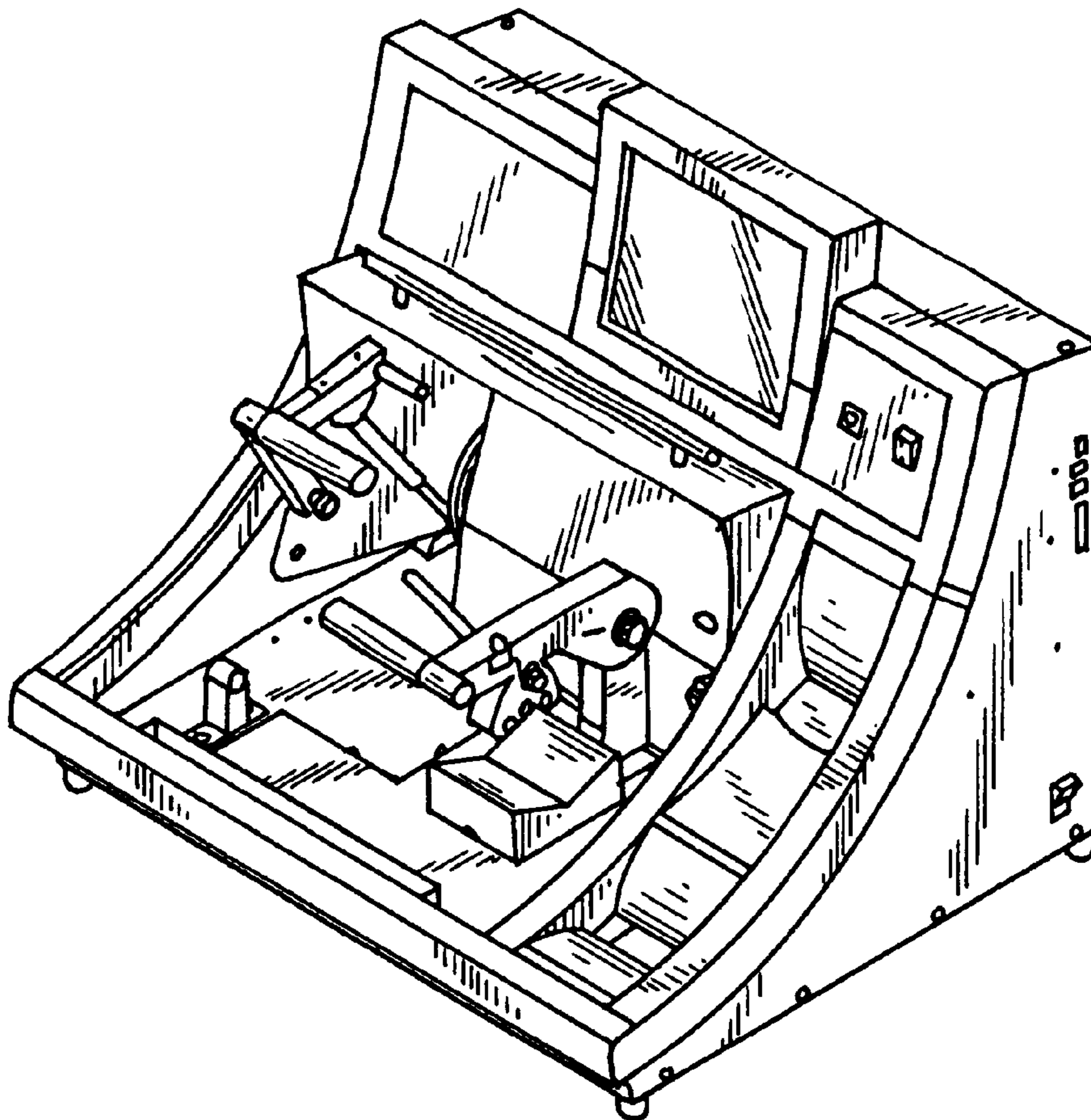


FIG. 1

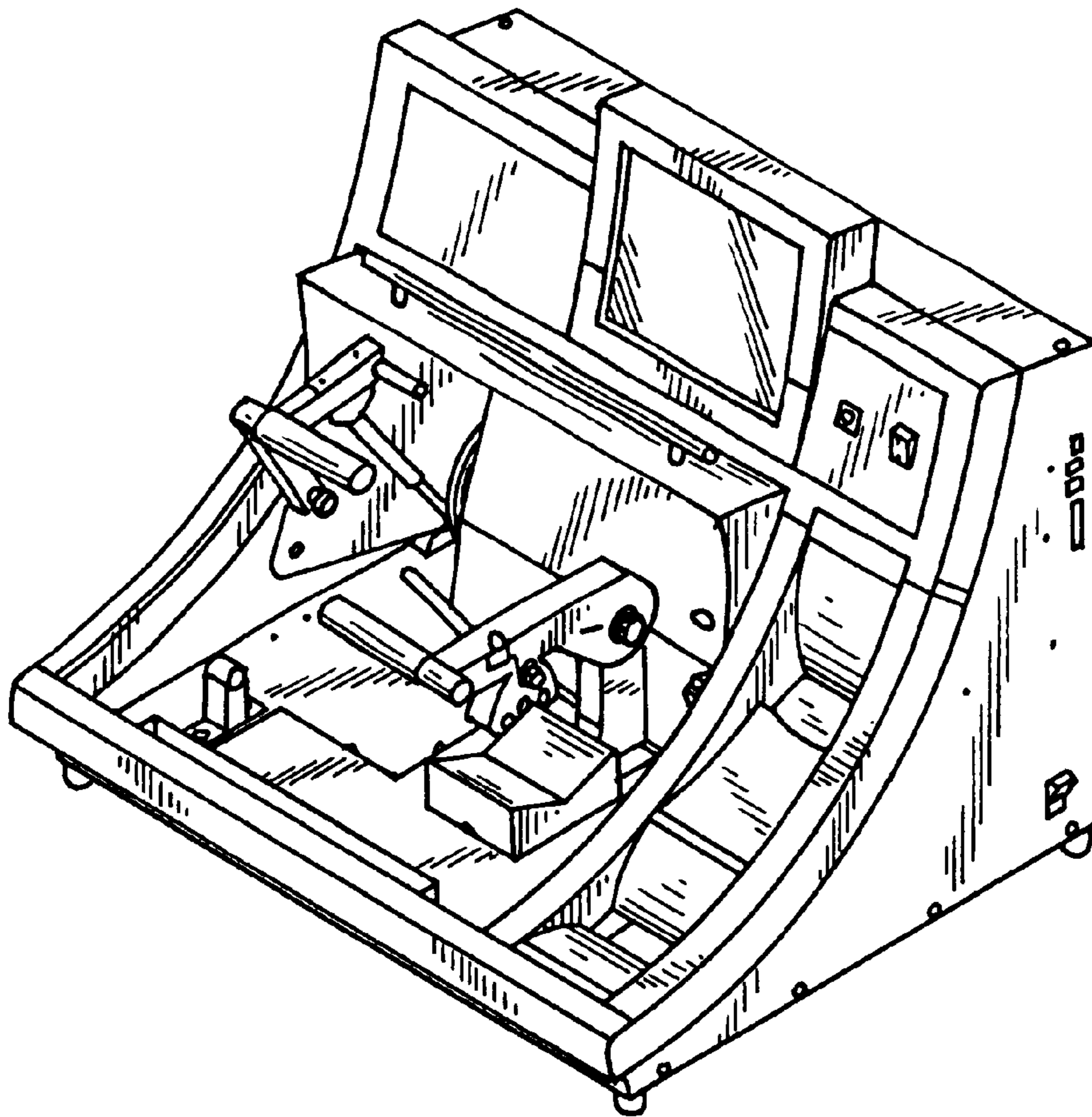


FIG. 2

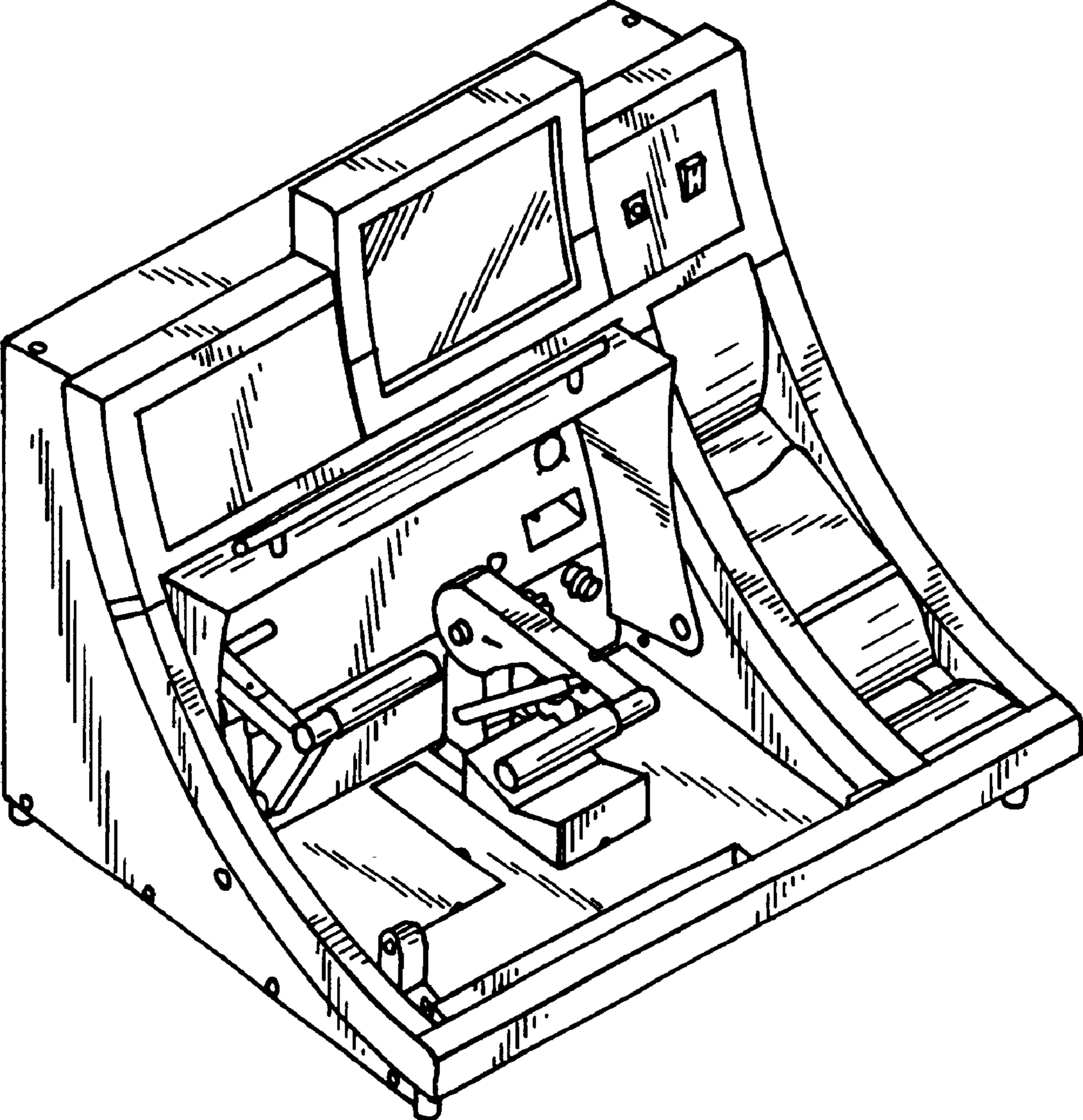


FIG. 3

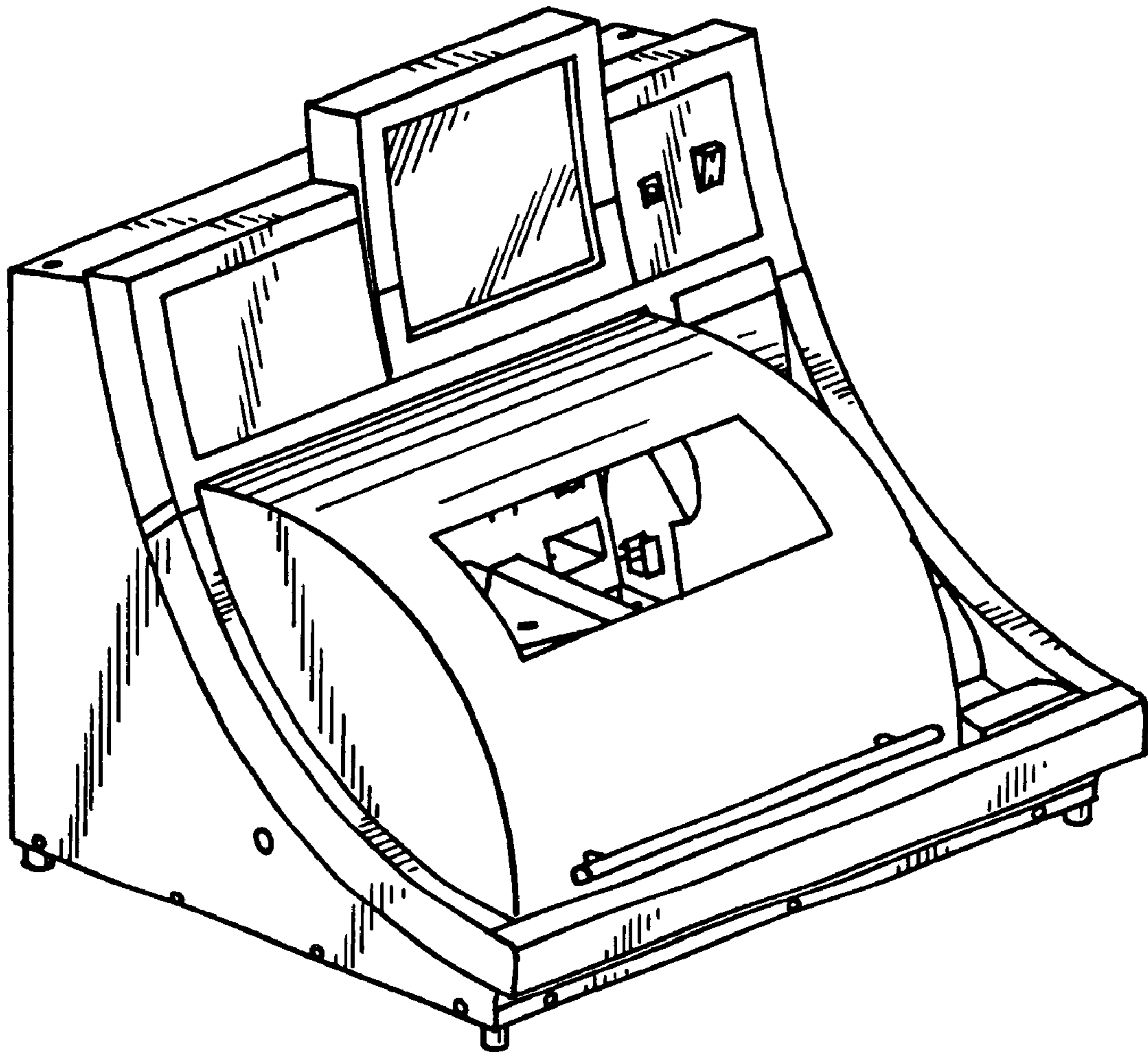


FIG. 4

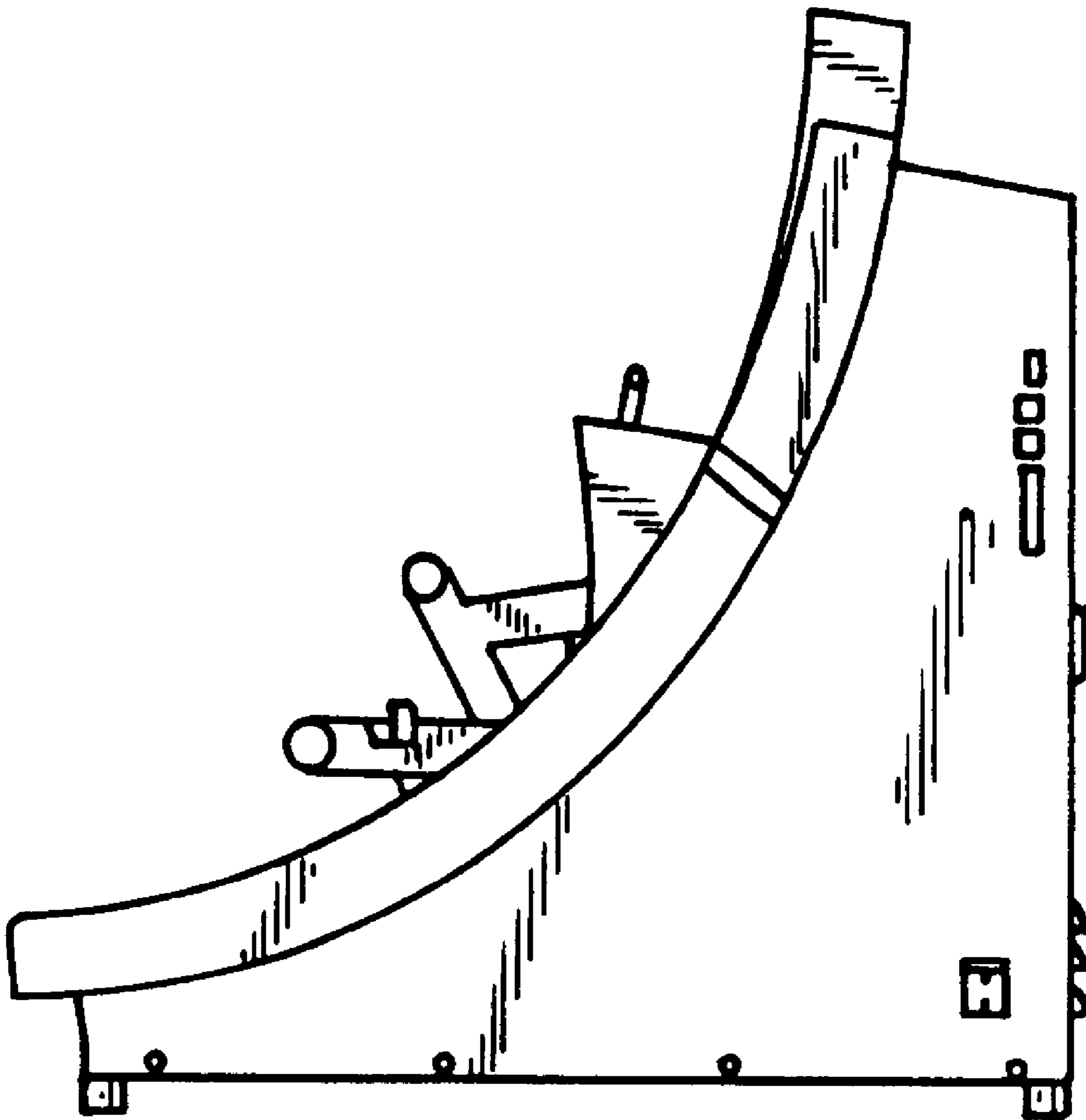


FIG. 5

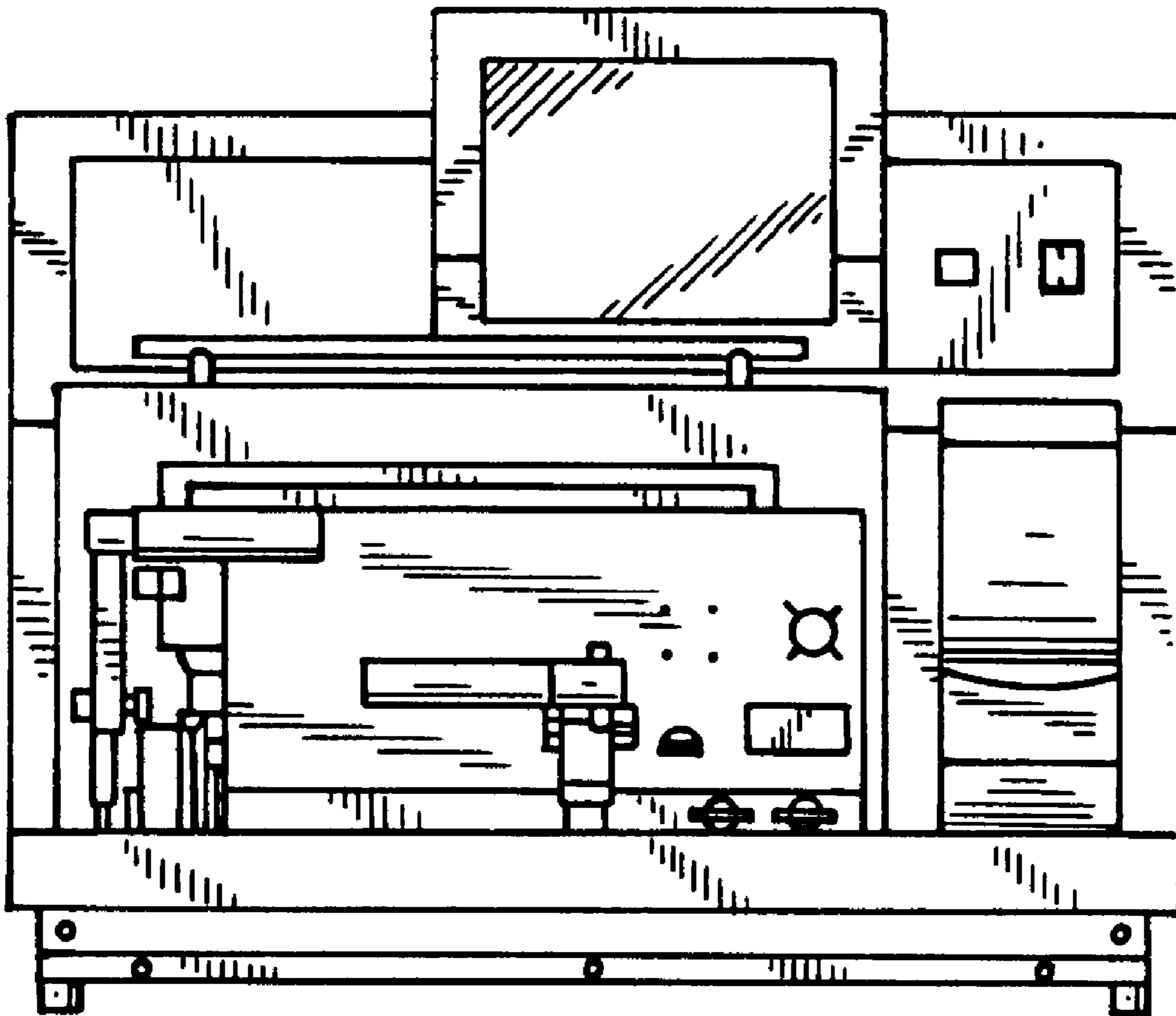


FIG. 6

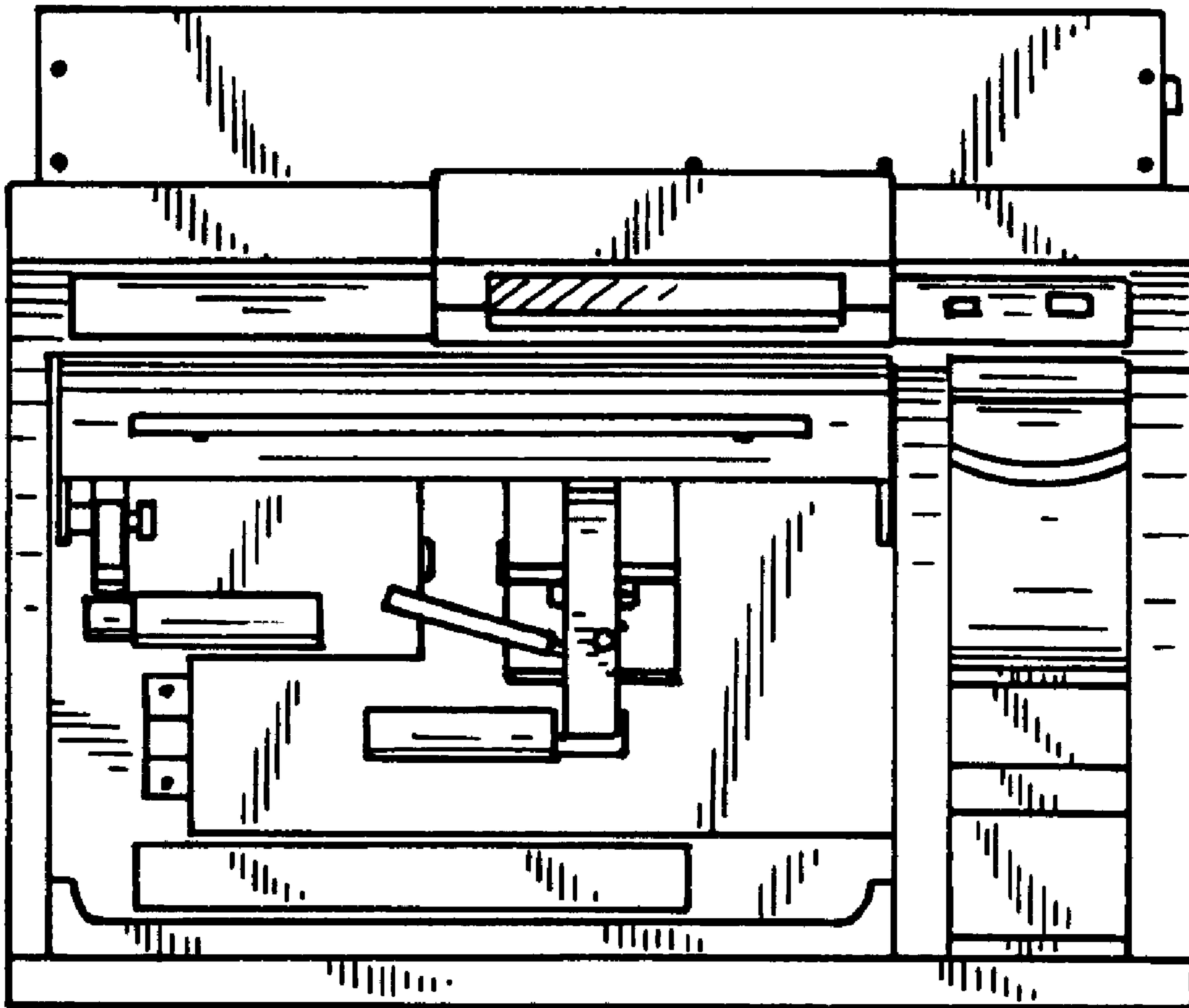


FIG. 7

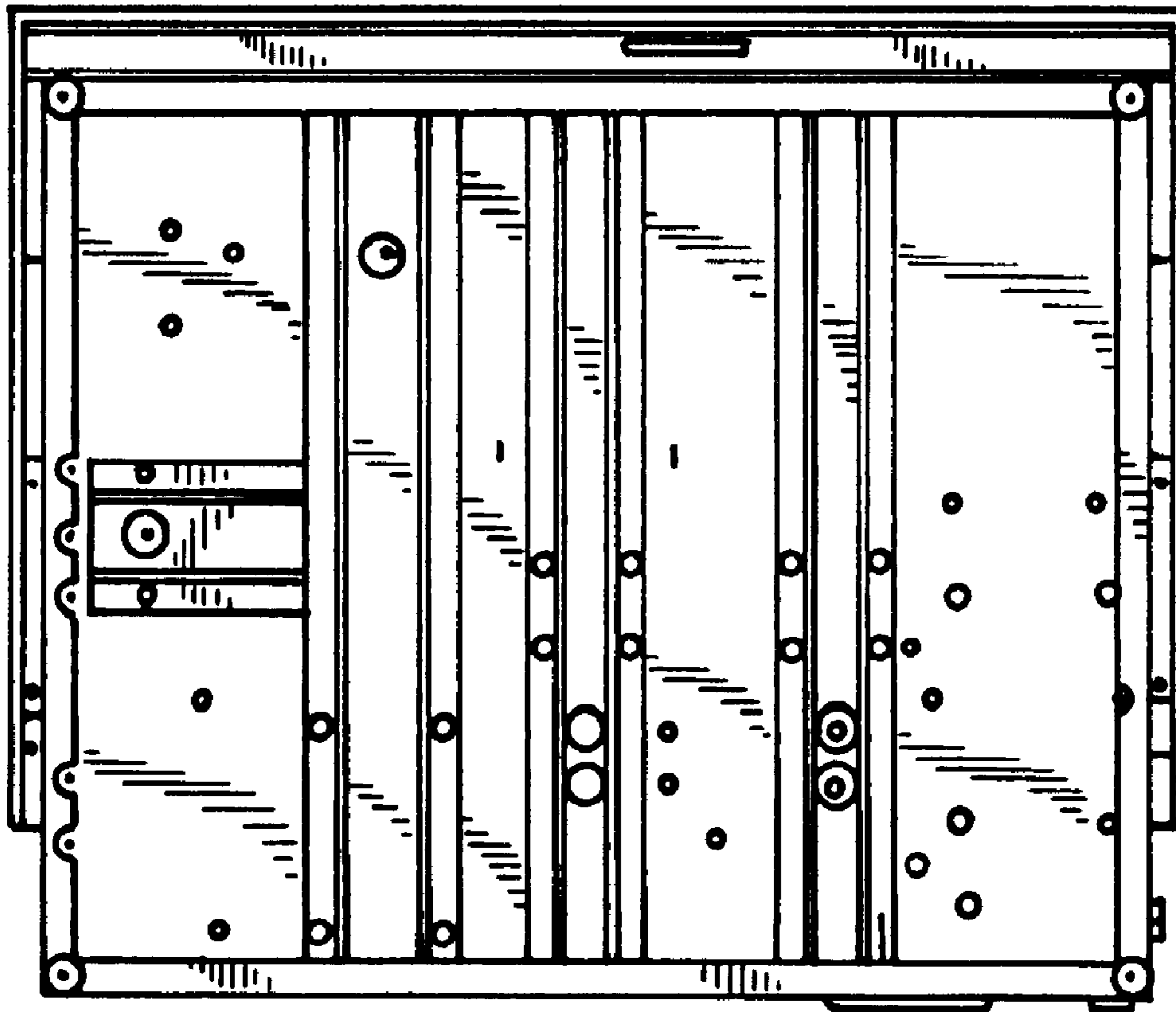


FIG. 8

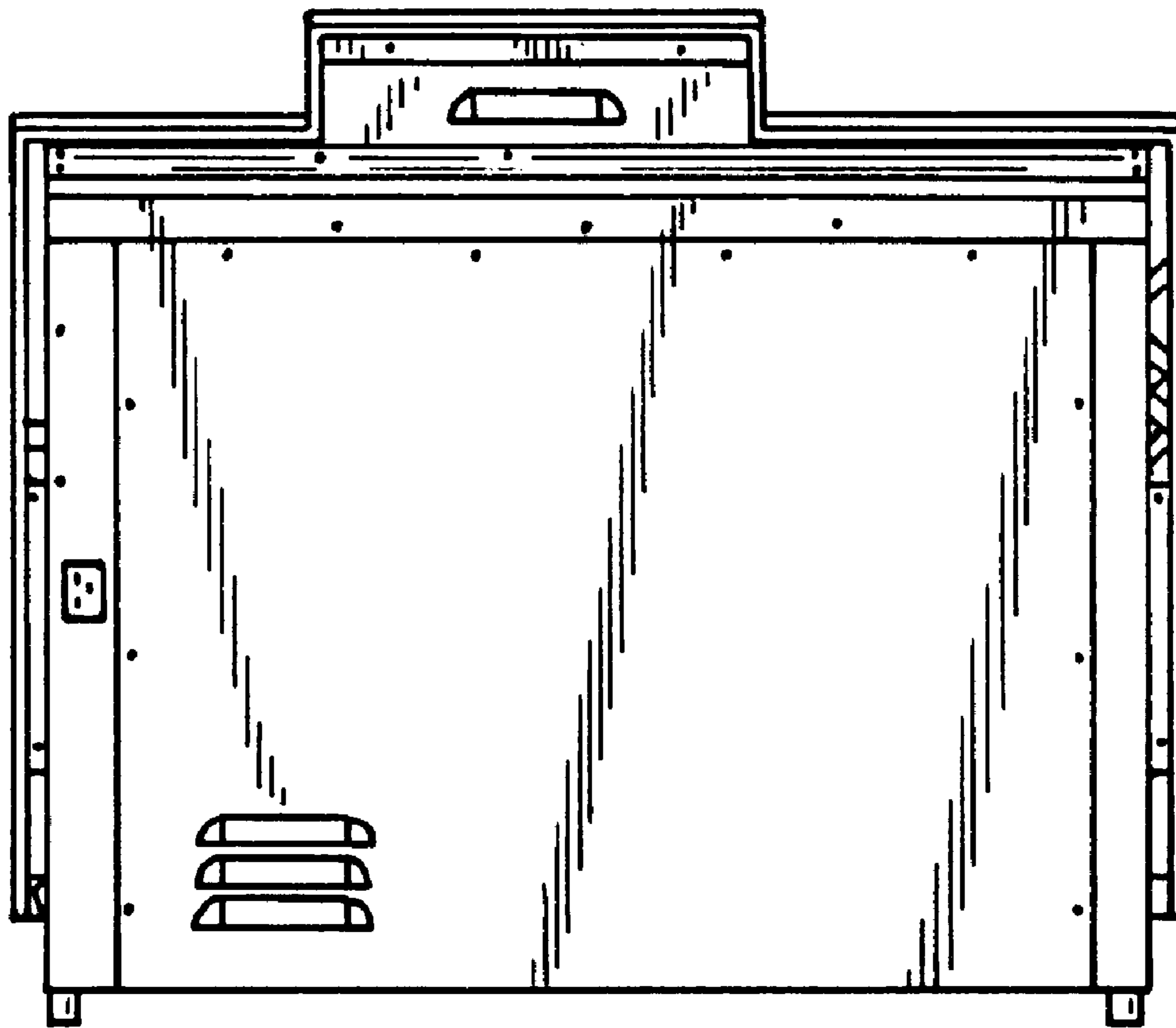


FIG. 9

