



US00D524175S

(12) **United States Design Patent**
Zanette

(10) **Patent No.:** **US D524,175 S**

(45) **Date of Patent:** **** Jul. 4, 2006**

(54) **WATCH CASE**

(75) **Inventor:** **Olivier Zanette, Mies (CH)**

(73) **Assignee:** **Grandrue (Suisse) S.A., Geneva (CH)**

(**) **Term:** **14 Years**

(21) **Appl. No.:** **29/232,045**

(22) **Filed:** **Jun. 14, 2005**

(30) **Foreign Application Priority Data**

Dec. 14, 2004 (CH) 131285

(51) **LOC (8) Cl.** **10-02**

(52) **U.S. Cl.** **D10/38**

(58) **Field of Classification Search** D10/30-39,
D10/122-132; 368/276-278, 281, 282, 285,
368/294, 228, 232

See application file for complete search history.

(56) **References Cited**

U.S. PATENT DOCUMENTS

D69,576 S	*	3/1926	Eppenstein	D10/39
D71,372 S	*	11/1926	Fahys	D10/38
D79,675 S	*	10/1929	Stegeman	D10/38
D248,224 S	*	6/1978	Sulek	D10/38
D263,378 S	*	3/1982	Fukumura	D10/39
D342,454 S	*	12/1993	Weber	D10/30

D361,276 S	*	8/1995	Wyss	D10/30
D363,030 S	*	10/1995	Kubo	D10/39
D510,707 S	*	10/2005	Cheng	D10/30

FOREIGN PATENT DOCUMENTS

CH 196015 * 5/1938

OTHER PUBLICATIONS

European Jeweler, Dec. 1973, p. 43, "Omega" watch.*

* cited by examiner

Primary Examiner—Lucy Lieberman

(74) *Attorney, Agent, or Firm*—Hughes Hubbard & Reed LLP; Ronald Abramson; Peter A. Sullivan

(57) **CLAIM**

The ornamental design for a watch case, as shown.

DESCRIPTION

FIG. 1 is a perspective view of a watch case showing my new design;

FIG. 2 is a front elevational view thereof;

FIG. 3 is a back elevational view thereof;

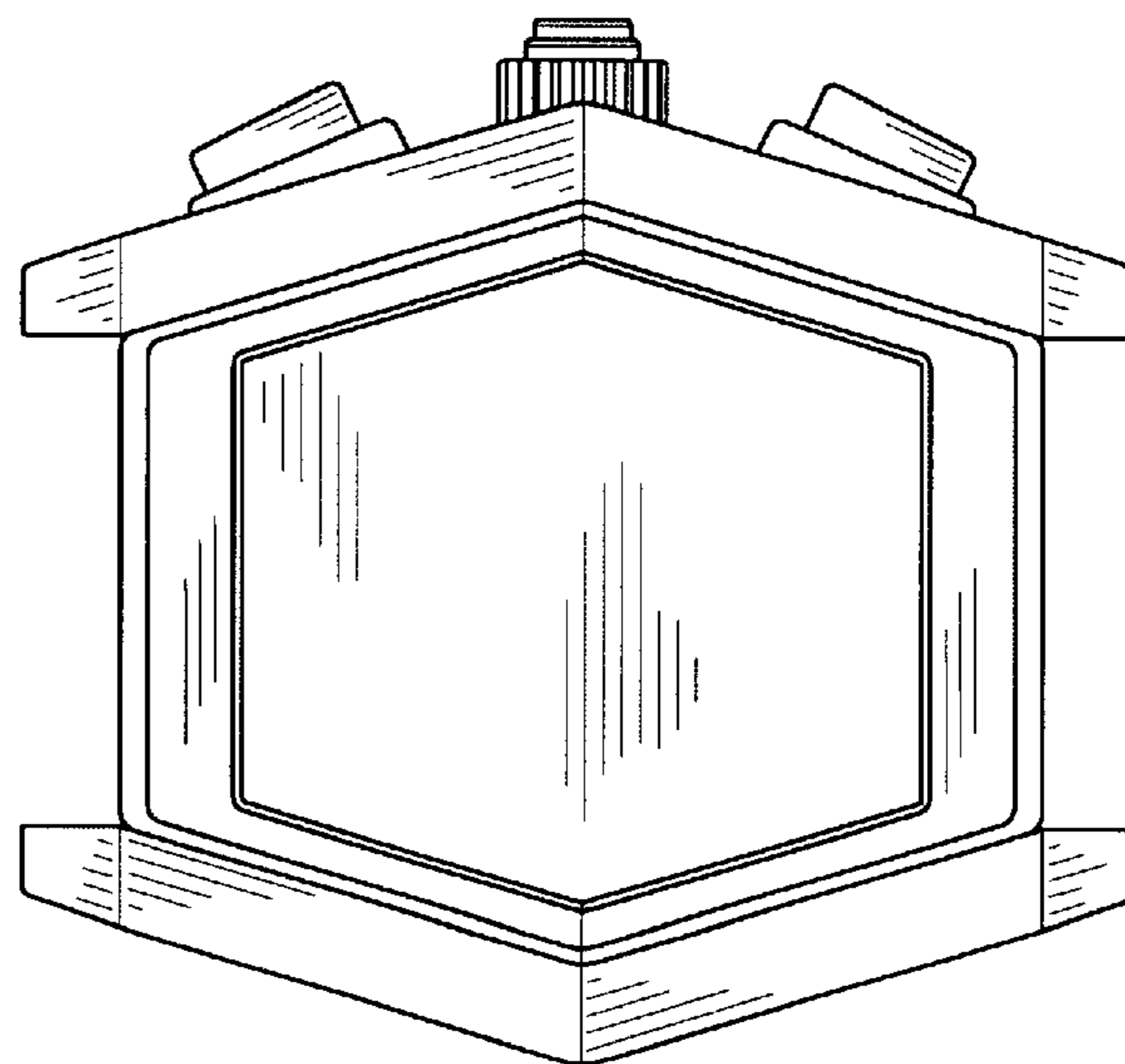
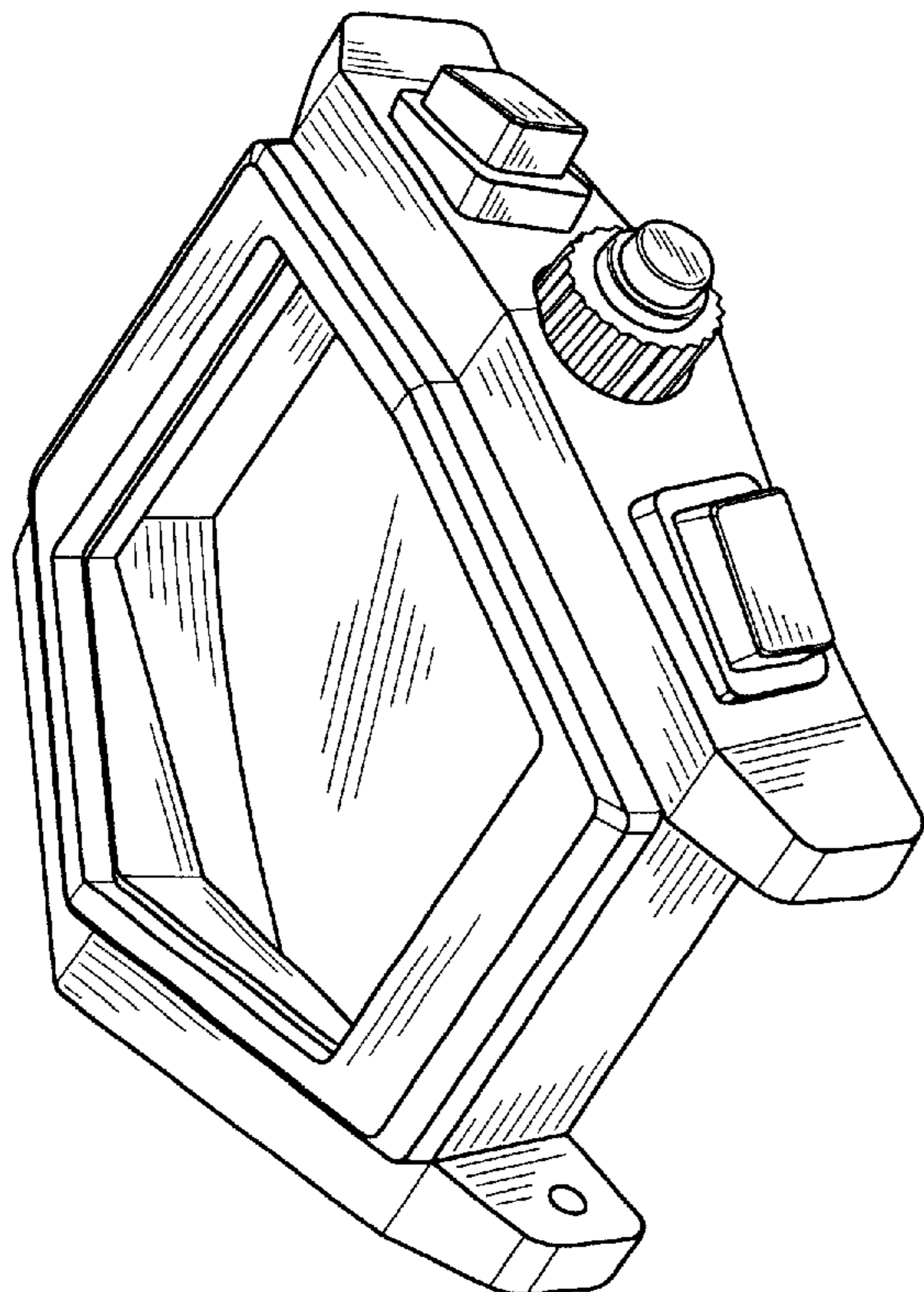
FIG. 4 is a left elevational view thereof;

FIG. 5 is a right elevational view thereof;

FIG. 6 is a top plan view thereof; and,

FIG. 7 is a bottom plan view thereof.

1 Claim, 2 Drawing Sheets



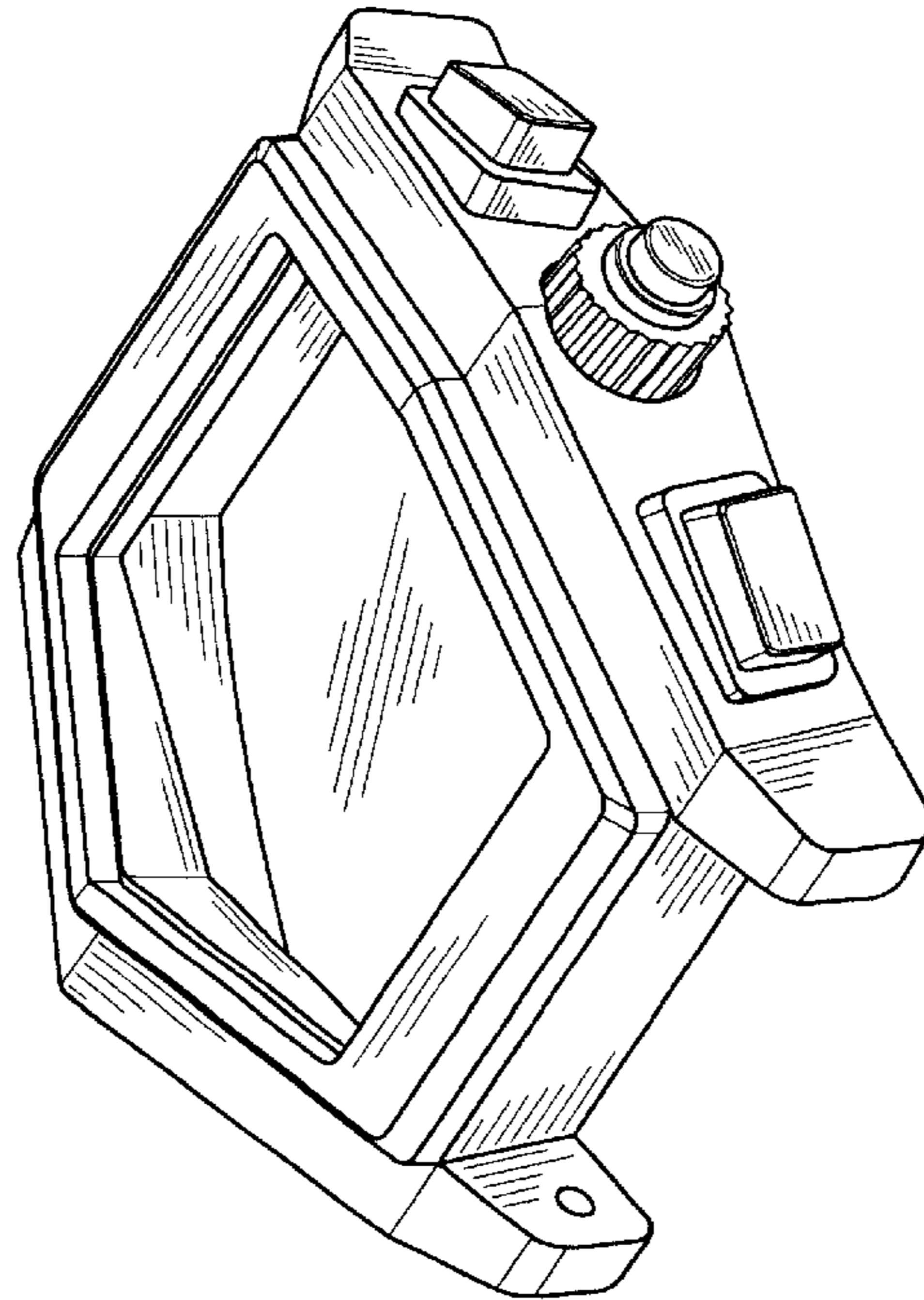


FIG. 1

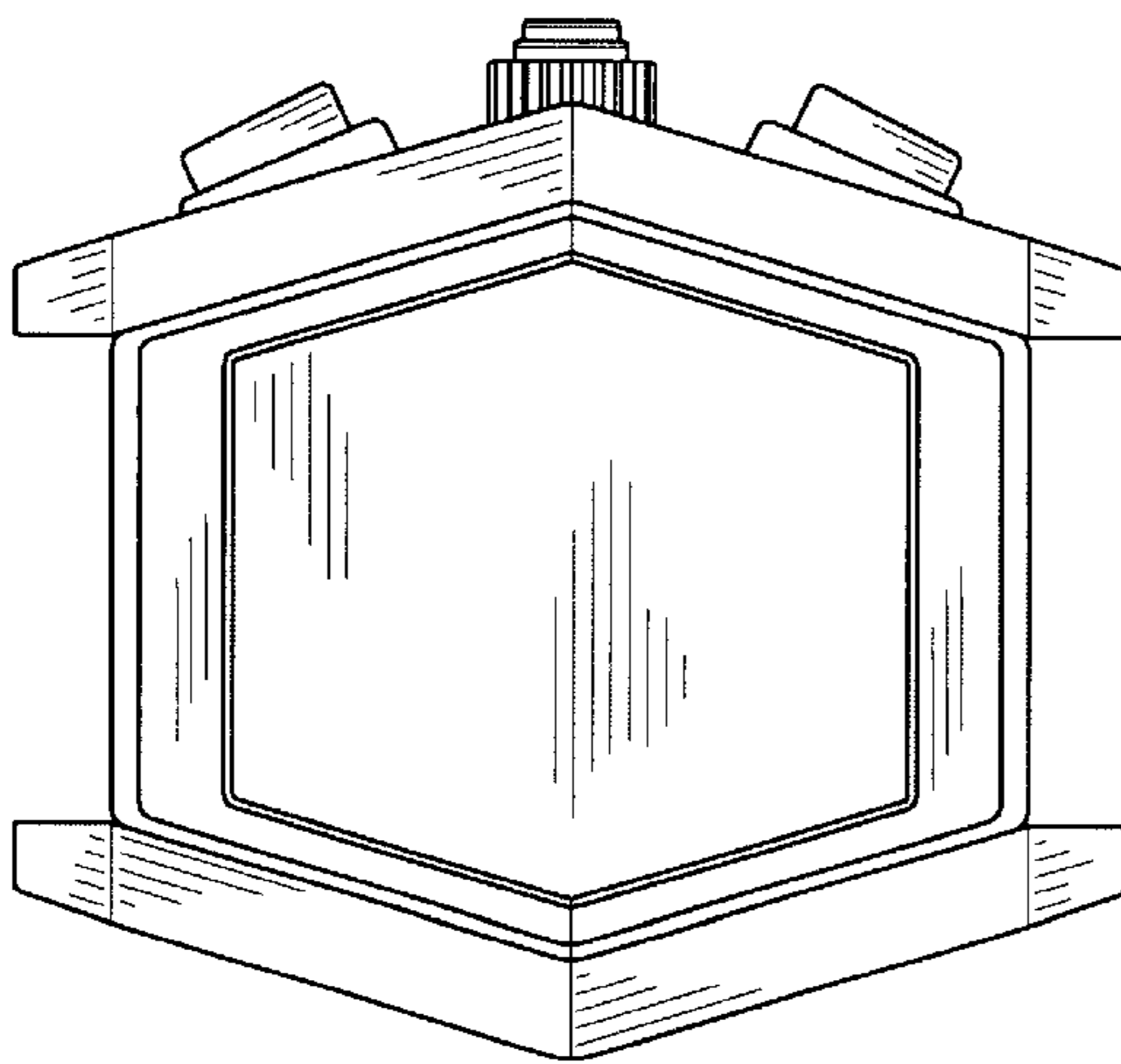


FIG. 2

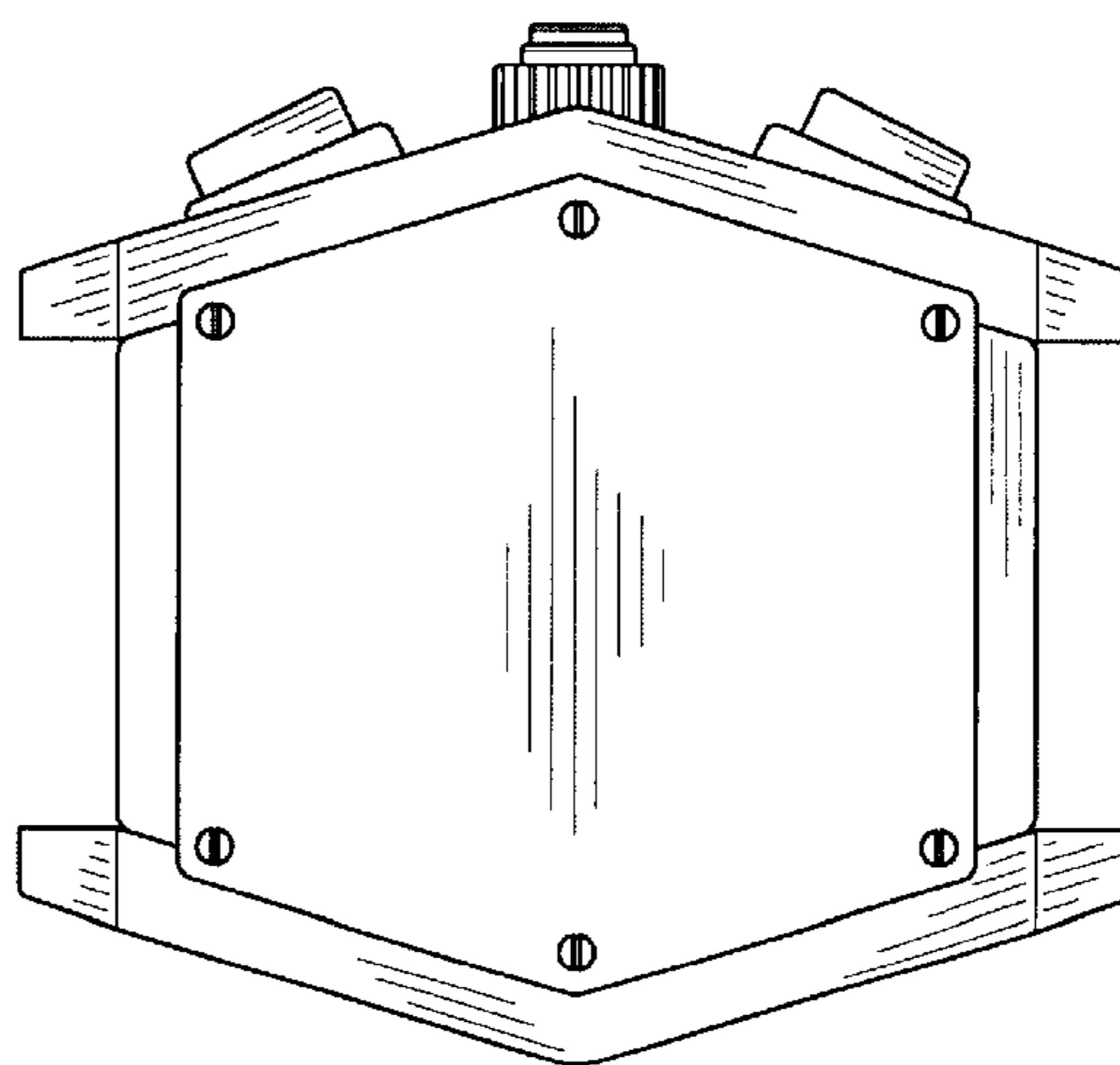


FIG. 3

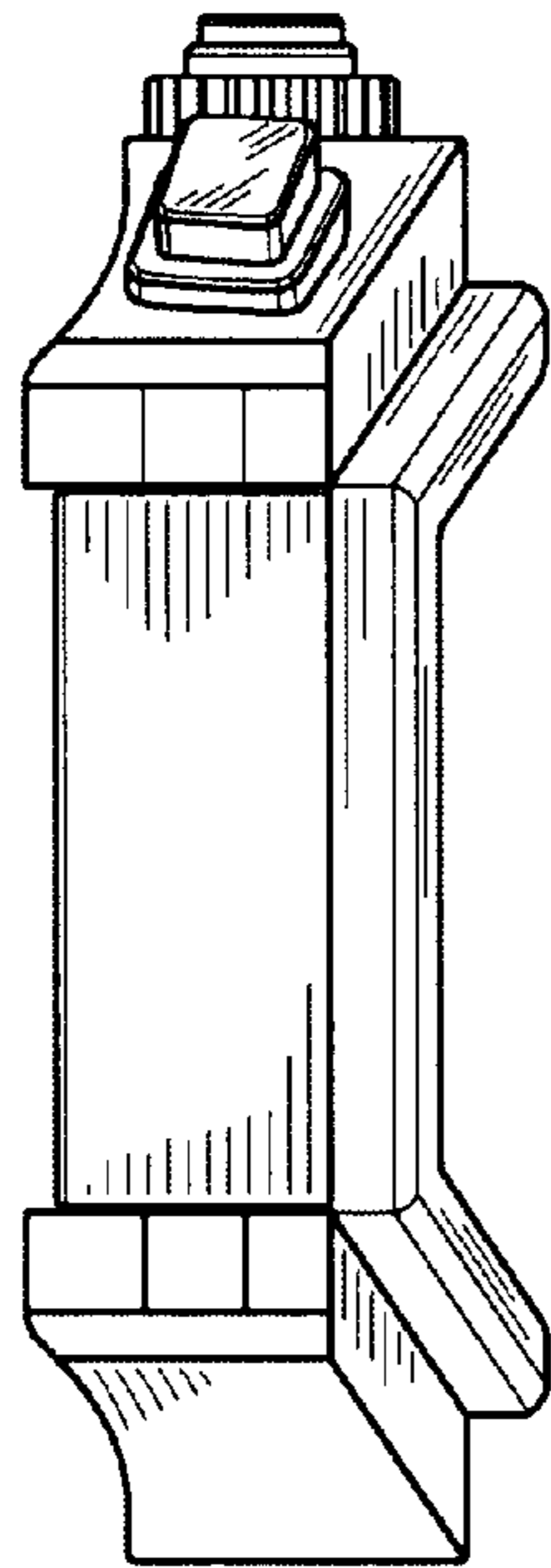


FIG. 4

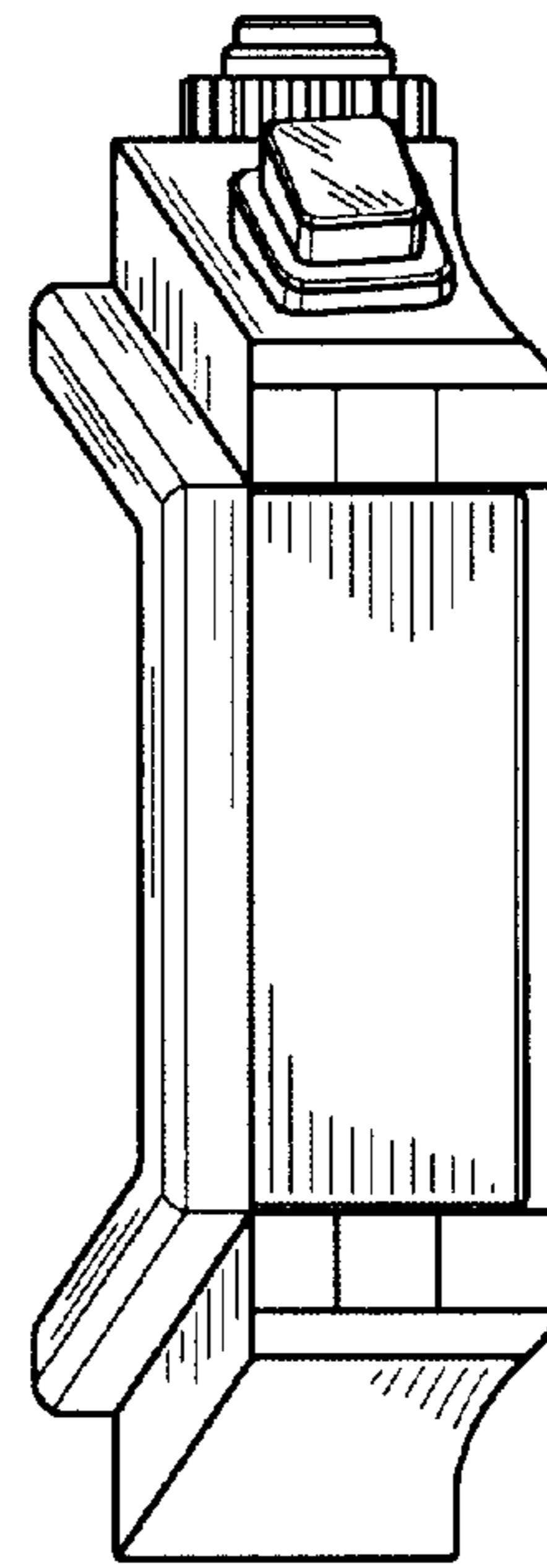


FIG. 5

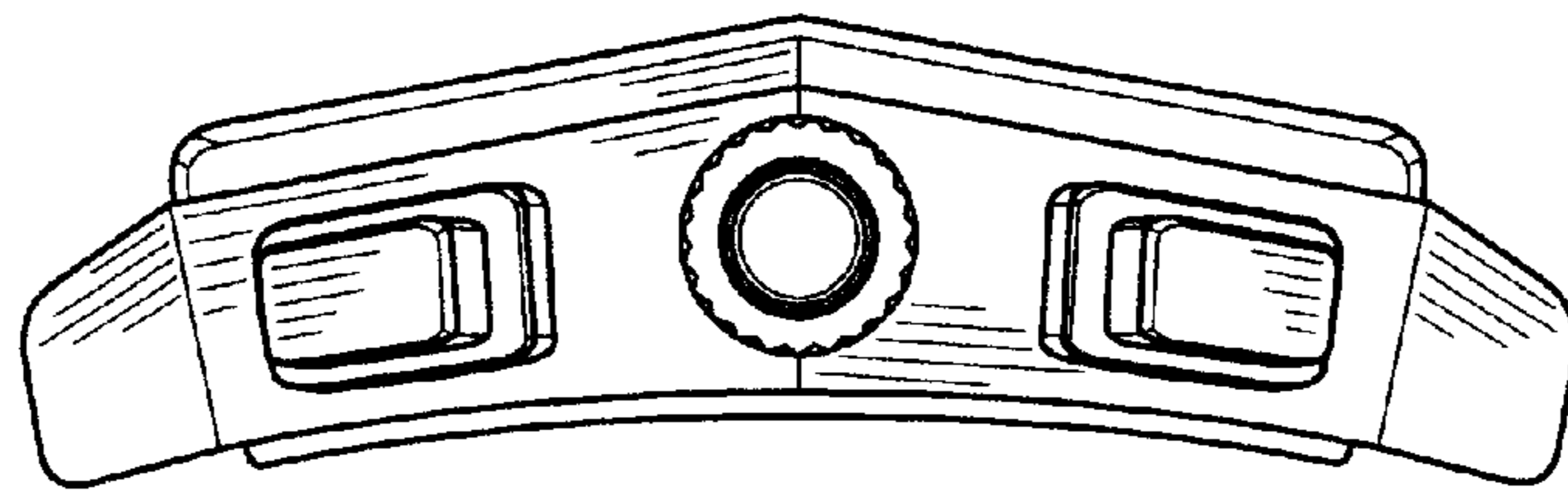


FIG. 6

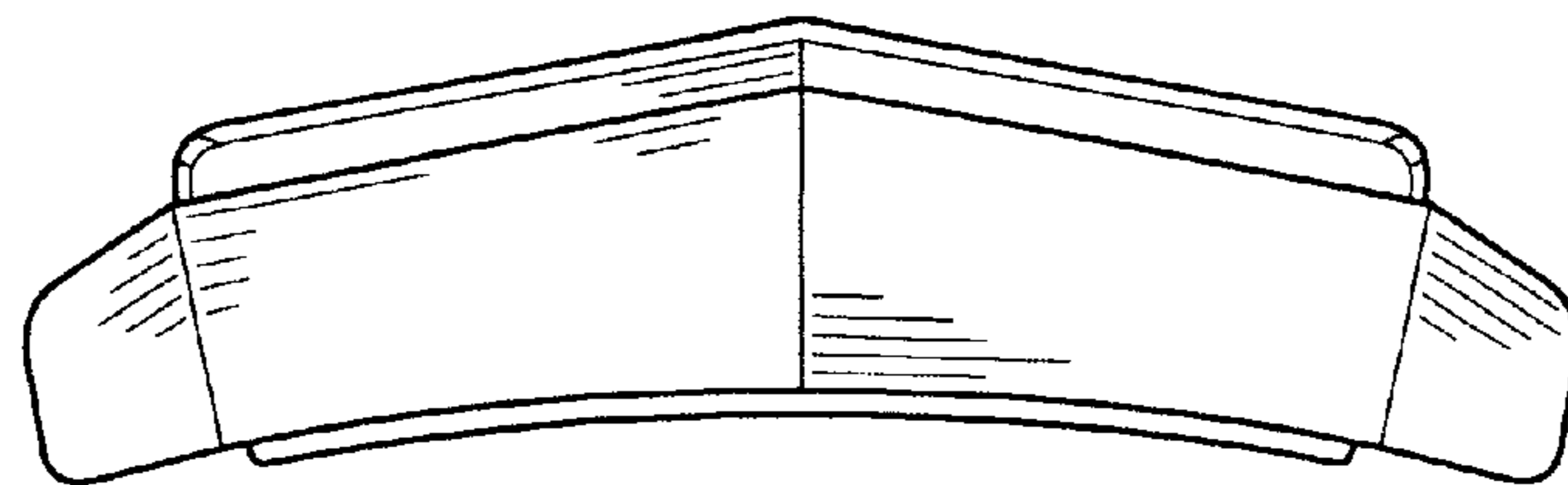


FIG. 7