



US00D524170S

(12) **United States Design Patent**
Bulgari

(10) **Patent No.:** **US D524,170 S**
(45) **Date of Patent:** **** Jul. 4, 2006**

(54) **WATCH WITH BRACELET**

FOREIGN PATENT DOCUMENTS

(75) Inventor: **Paolo Bulgari**, Rome (IT)

WO DM/063039 * 4/2002

(73) Assignee: **Bulgari Time (Switzerland) SA**,
Neuchatel (CH)

OTHER PUBLICATIONS

(**) Term: **14 Years**

Swiss Watch and Jewelry journal, Mar. 1988, p. 495, "Le
Coultre" watch, item #13.*
Jewelers' Circular-Keystone, Oct., 1981, p. 124, watches.*
Jewelers' Circular-Keystone, Jun., 1979, p. 59, Citizen's
Automatic, item # 51-6085-87.*

(21) Appl. No.: **29/231,486**

* cited by examiner

(22) Filed: **Jun. 6, 2005**

(30) **Foreign Application Priority Data**

Primary Examiner—Lucy Lieberman

Jan. 25, 2005 (WO) DM/066 440

(74) *Attorney, Agent, or Firm*—Reising, Ethington, Barnes,
Kisselle, PC

(51) **LOC (8) Cl.** **10-02**

(52) **U.S. Cl.** **D10/32; D10/39**

(58) **Field of Classification Search** D10/30-39;
368/276, 277, 281, 282, 285, 295, 286, 283,
368/239-242, 82-84, 28-30, 223, 228, 232,
368/80, 21; D11/2, 3, 12, 93; 224/164, 175;
63/1.13, 3, 4, 3.1, 5.1

(57) **CLAIM**

See application file for complete search history.

The ornamental design for a watch with bracelet, substan-
tially as shown and described.

(56) **References Cited**

DESCRIPTION

U.S. PATENT DOCUMENTS

1,831,951 A * 11/1931 Fassnacht et al. 59/80
3,585,794 A * 6/1971 Klingenberg 368/281
D397,622 S * 9/1998 de Baschmakoff D10/39
D443,833 S * 6/2001 Lepeu et al. D10/32
D507,499 S * 7/2005 Bulgari D10/32

FIG. 1 shows a front view of same;
FIG. 2 shows a left side view of same;
FIG. 3 shows a rear view of same;
FIG. 4 shows a right side view of same;
FIG. 5 shows a view from the top of same;
FIG. 6 shows a view from the bottom of same; and,
FIG. 7 shows a perspective view of same.

1 Claim, 1 Drawing Sheet



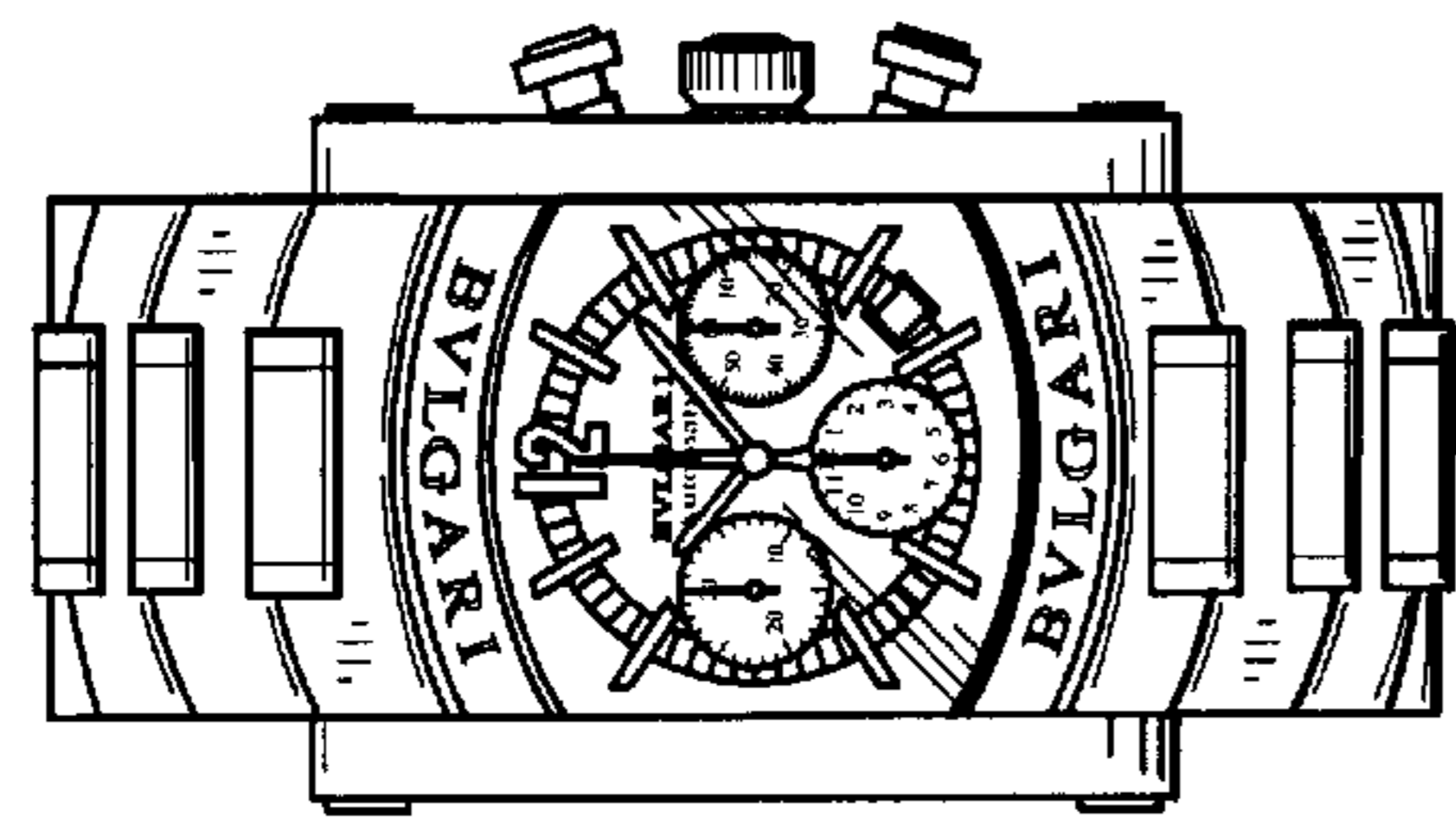


FIG. 1

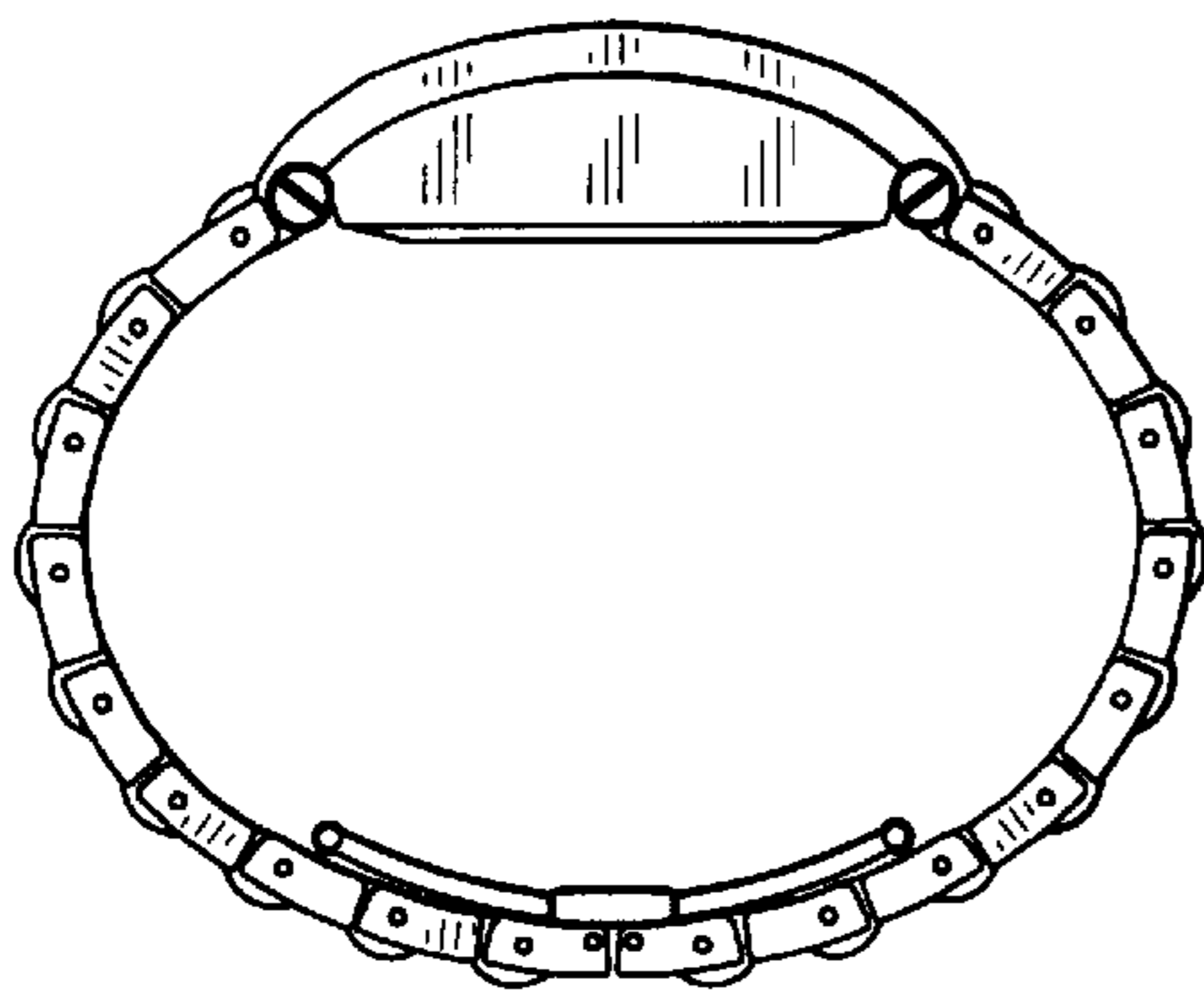


FIG. 2

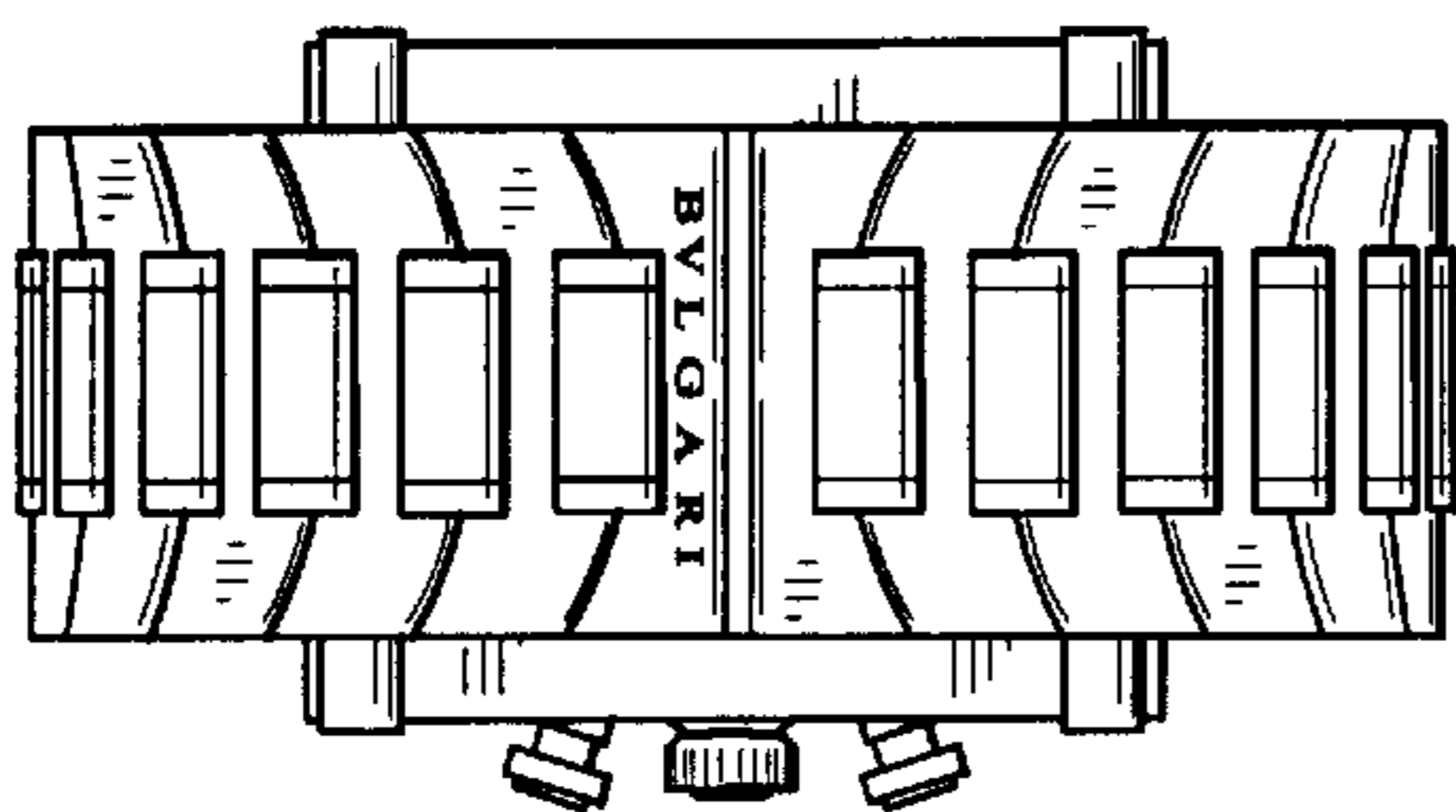


FIG. 3

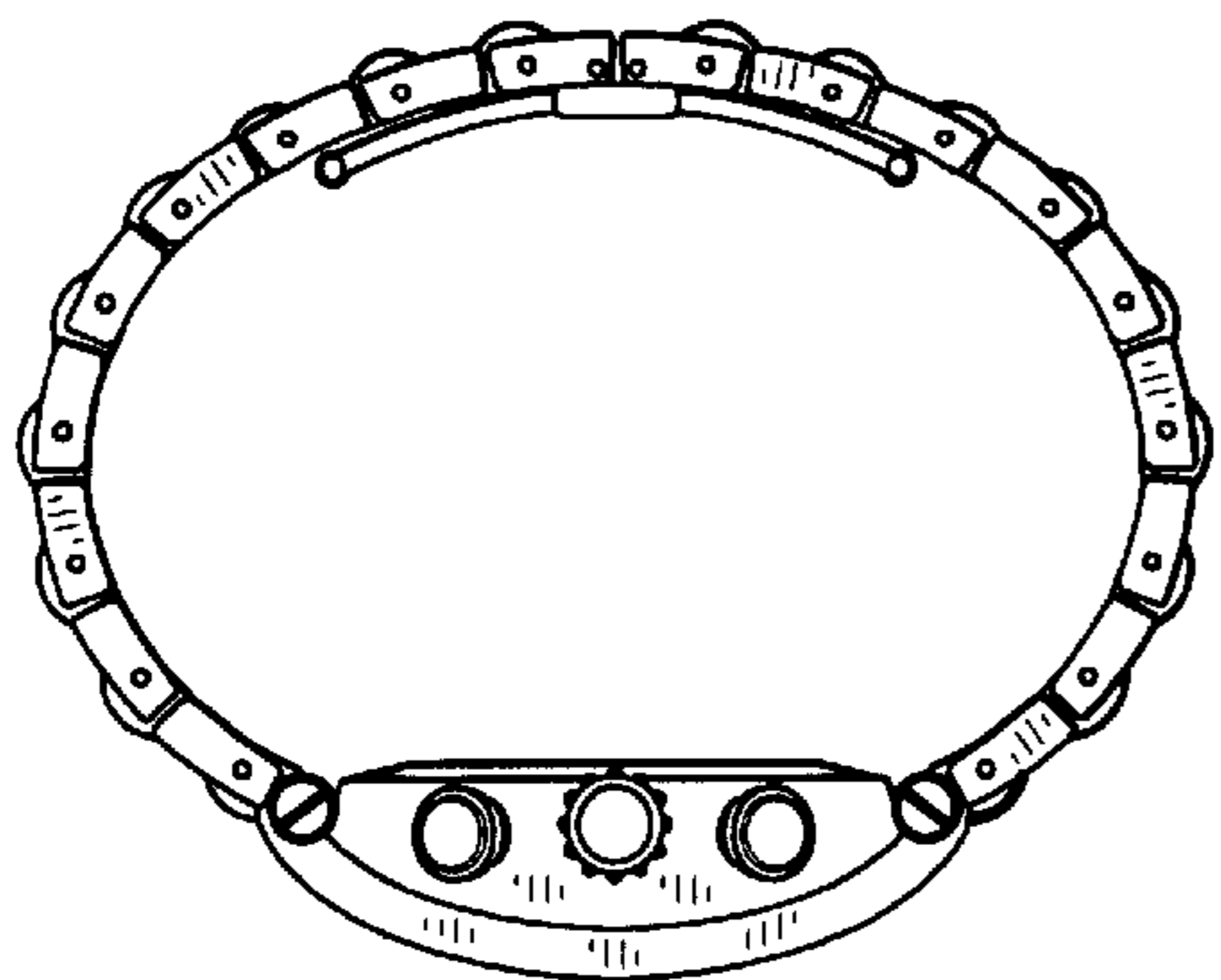


FIG. 4

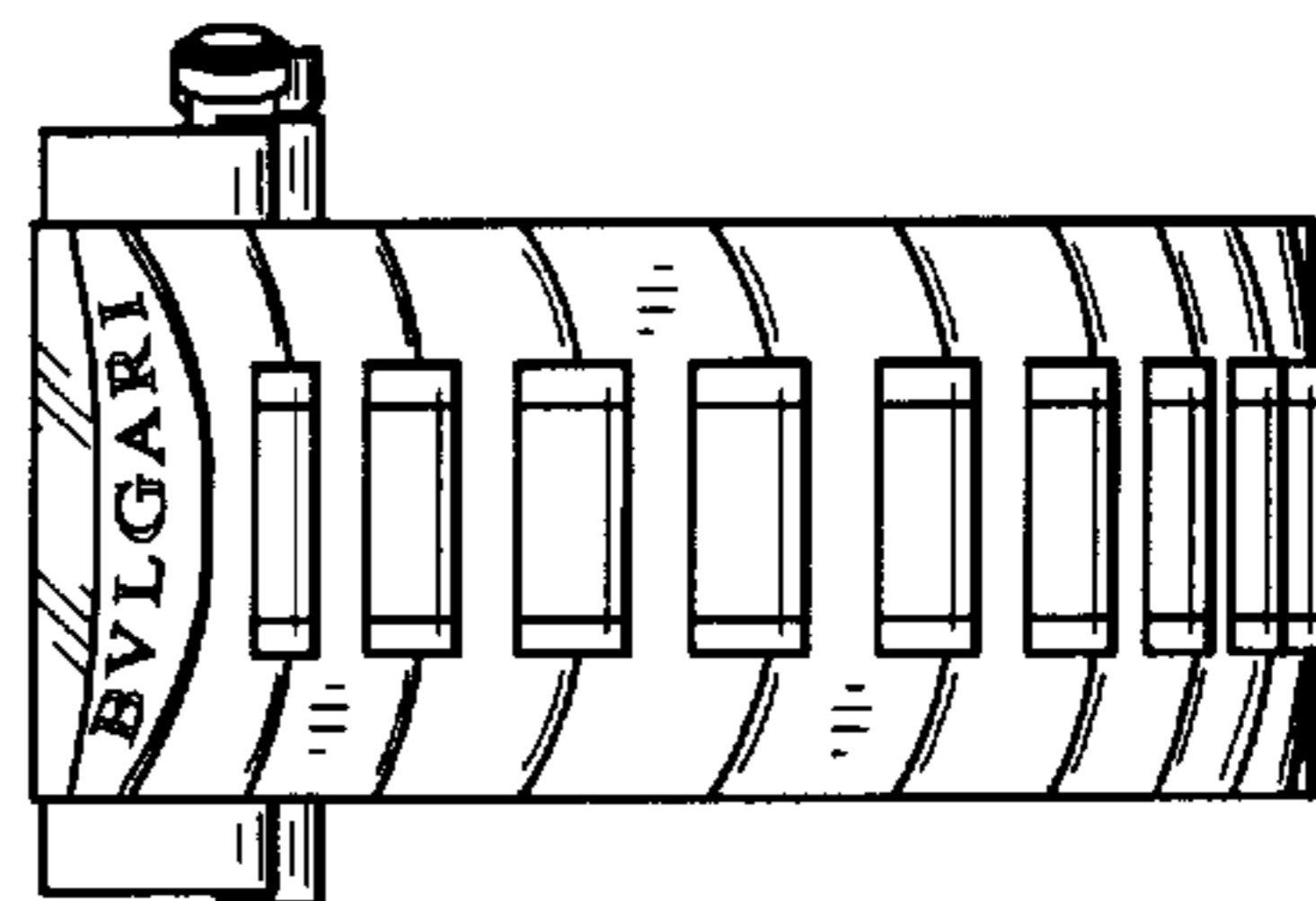


FIG. 5

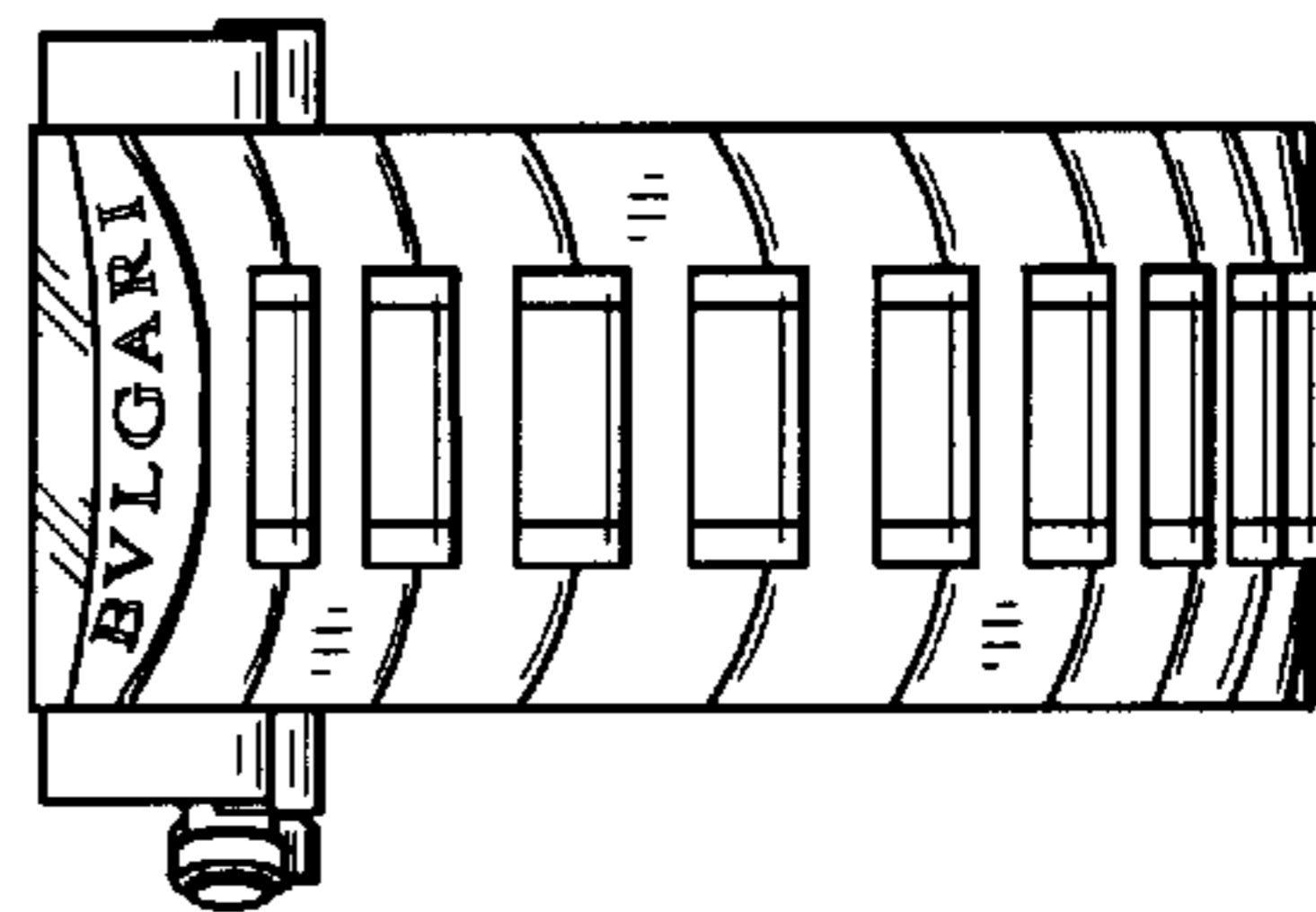


FIG. 6

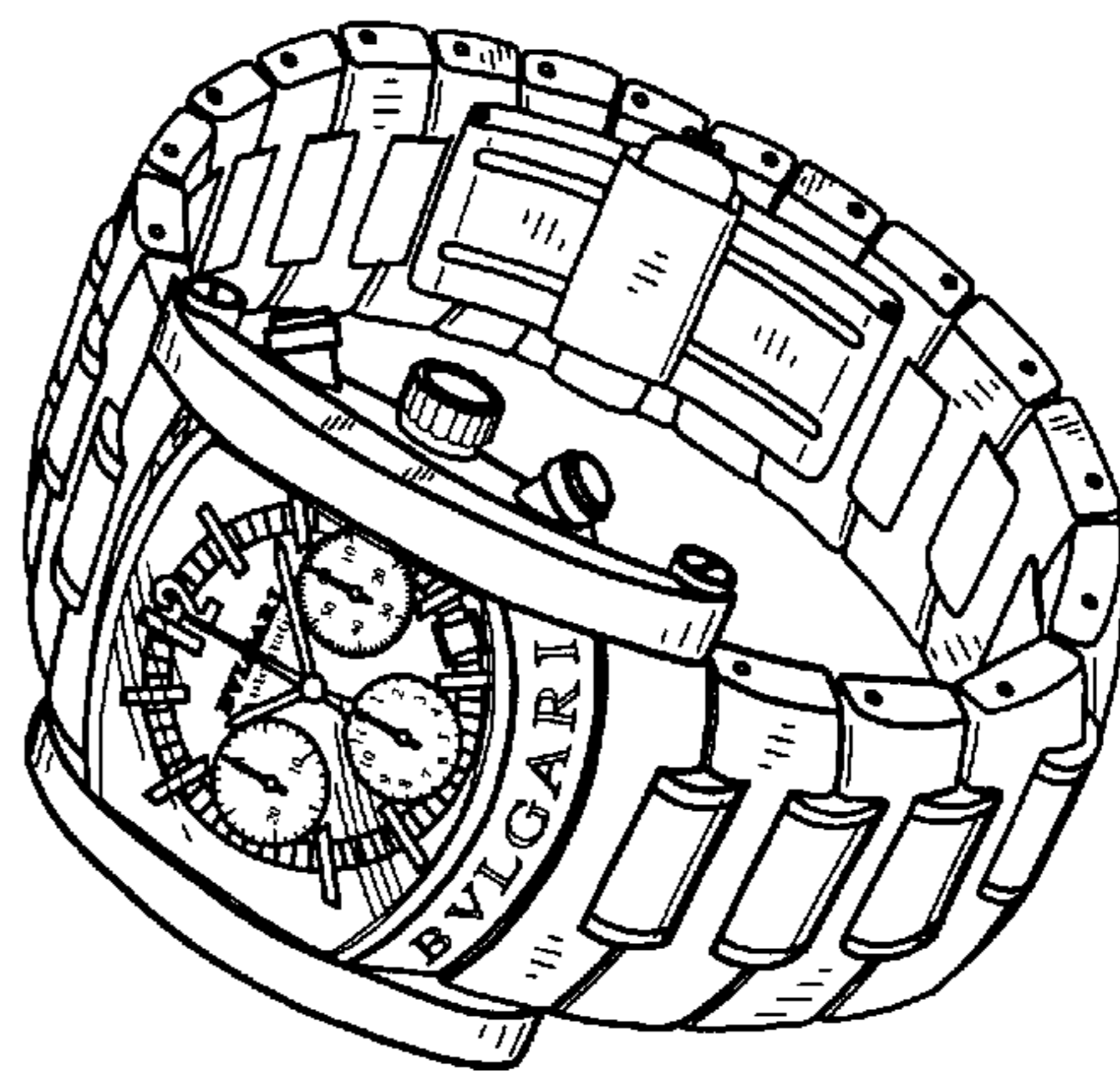


FIG. 7