

US00D524168S

(12) **United States Design Patent**
Ferguson et al.

(10) **Patent No.:** **US D524,168 S**
(45) **Date of Patent:** **** Jul. 4, 2006**

(54) **BUTTON CELL BATTERY DISPENSER**
(75) Inventors: **Mark A. Ferguson**, Memphis, NY
(US); **Todd B. Abernethy**, Skaneateles,
NY (US); **Jeffrey P. Pirro**, Marcellus,
NY (US)
(73) Assignee: **Eveready Battery Company, Inc.**, St.
Louis, MO (US)
(**) Term: **14 Years**

D423,925 S	*	5/2000	Finkelston et al.	D9/339
D452,151 S	*	12/2001	Scott	D9/428
D458,836 S		6/2002	Garrant et al.	D9/339
D460,352 S	*	7/2002	Bried	D9/339
D460,916 S		7/2002	Garrant et al.	D9/339
D463,740 S		10/2002	Garrant et al.	D9/339
6,488,176 B1		12/2002	Garrant et al.	221/79
D470,408 S		2/2003	Garrant et al.	D9/339
D473,786 S	*	4/2003	Chue	D9/339
6,581,799 B1		6/2003	Garrant et al.	221/88
6,631,825 B1		10/2003	Garrant et al.	221/79
2003/0155276 A1		8/2003	Gaffney et al.	206/704

(21) Appl. No.: **29/196,119**
(22) Filed: **Dec. 22, 2003**

FOREIGN PATENT DOCUMENTS

WO 01/87732 A1 11/2001

(51) **LOC (8) Cl.** **09-03**
(52) **U.S. Cl.** **D9/731**
(58) **Field of Classification Search** D9/337,
D9/338, 339, 424, 430; 206/37, 527; 220/890;
221/282; 222/153.01, 173, 175, 323-324,
222/372, 465.1

* cited by examiner

Primary Examiner—Stella Reid
Assistant Examiner—Daniel Bui
(74) *Attorney, Agent, or Firm*—Russell H. Toye, Jr.

See application file for complete search history.

(57) **CLAIM**

We claim the ornamental design for a button cell battery dispenser, as shown and described.

(56) **References Cited**

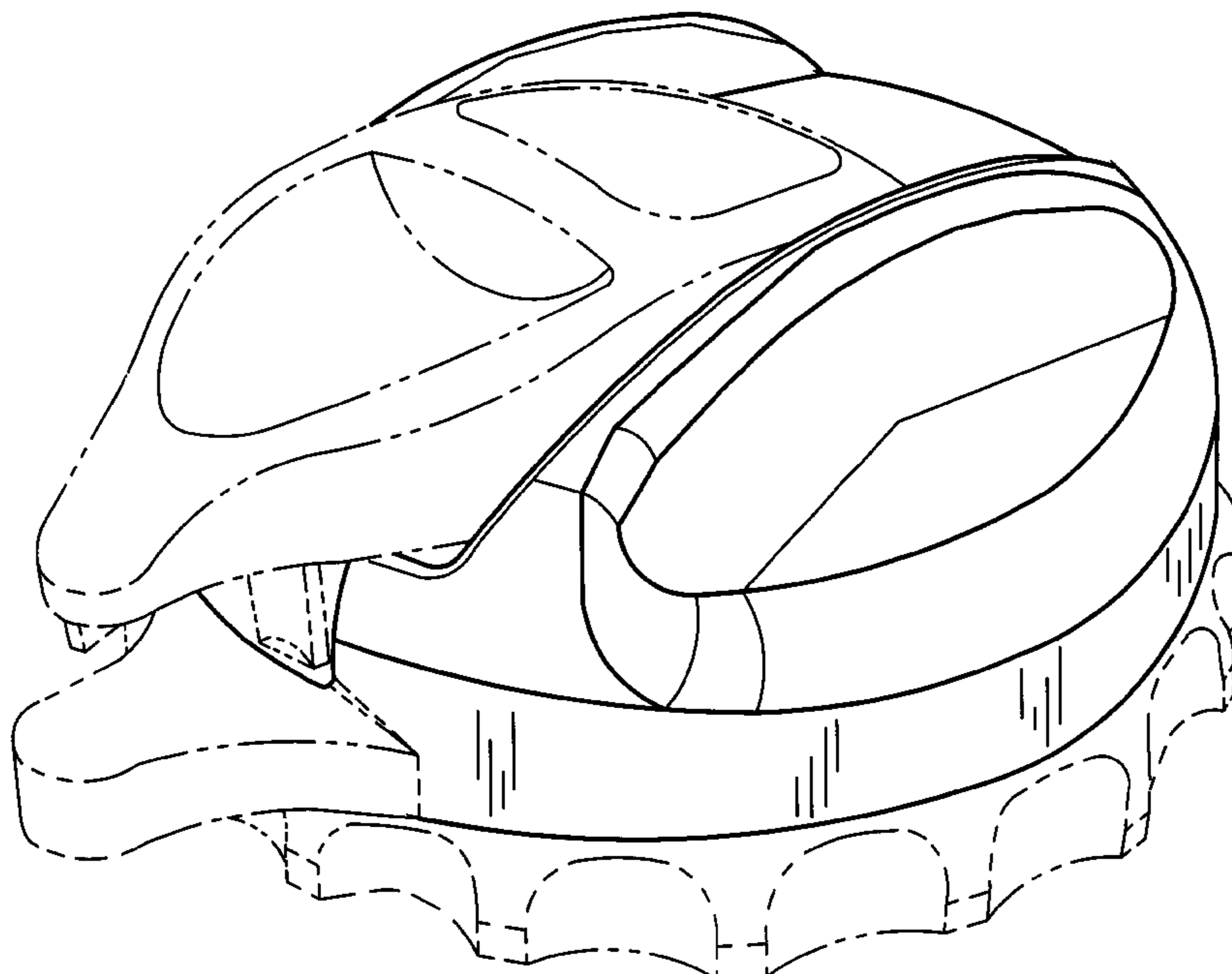
DESCRIPTION

U.S. PATENT DOCUMENTS

3,437,236 A	4/1969	Huck	221/86
3,800,940 A	4/1974	Thomas	206/42
3,995,767 A	12/1976	Brindley et al.	221/82
4,124,143 A	11/1978	Thomas	221/82
D280,667 S	* 9/1985	Bennett	D28/7
D303,633 S	* 9/1989	Terauds	D9/428
4,953,700 A	9/1990	DeDino	206/333
5,117,977 A	6/1992	Voroba	206/333
D328,703 S	* 8/1992	Klumpyan	D9/339
5,199,565 A	4/1993	Voroba	206/333
D382,198 S	* 8/1997	Mulhauser et al.	D9/339
D420,916 S	2/2000	Ohmi et al.	D9/453

FIG. 1 is a top right front perspective view of the button cell battery dispenser;
FIG. 2 is a front elevational view thereof;
FIG. 3 is a rear elevational view thereof;
FIG. 4 is a left side elevational view thereof;
FIG. 5 is a top elevational view thereof; and,
FIG. 6 is a bottom elevational thereof.
The broken line showing of the environment is for illustrative purposes only and forms no part of the claimed design.

1 Claim, 5 Drawing Sheets



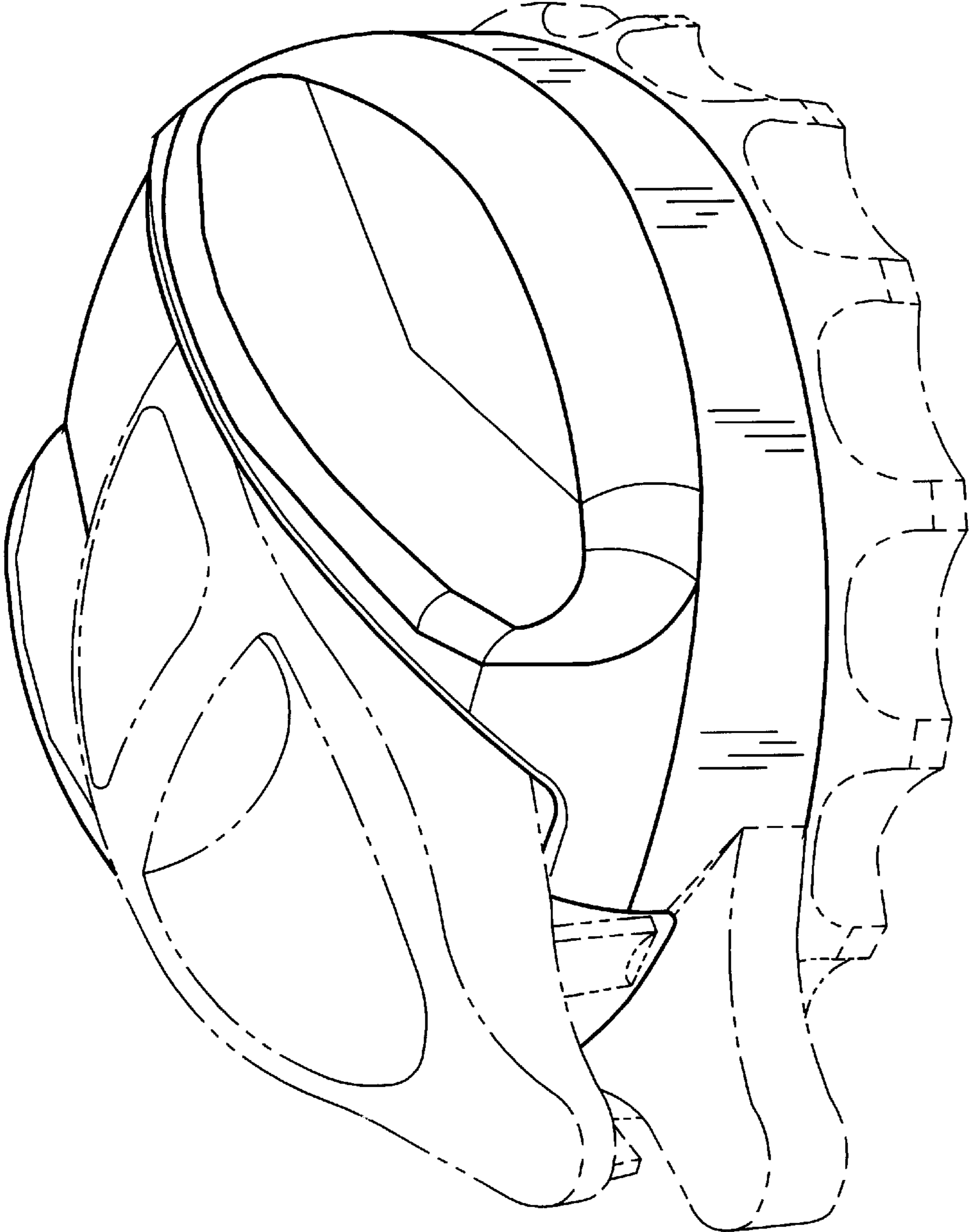


Fig. 1

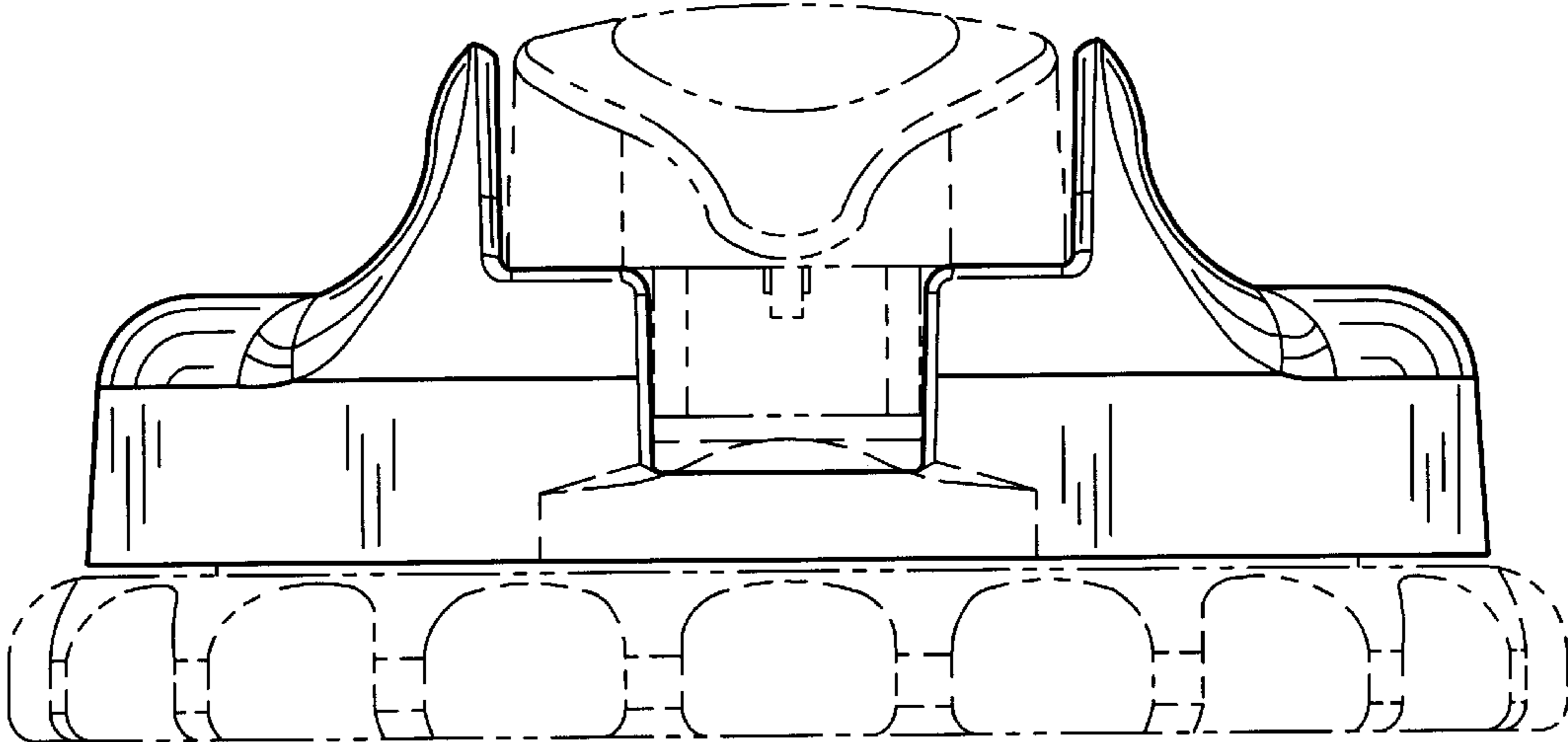


Fig. 2

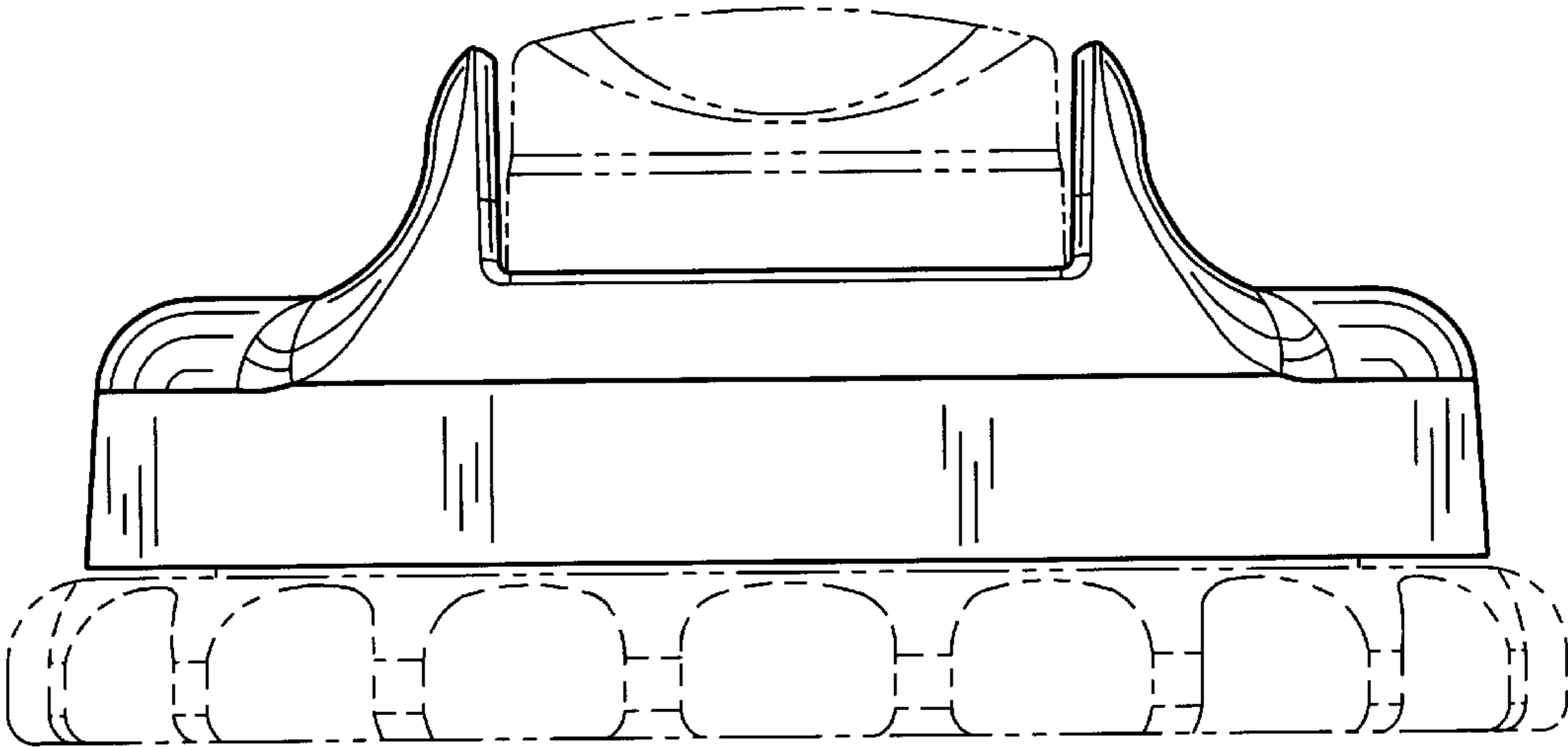


Fig. 3

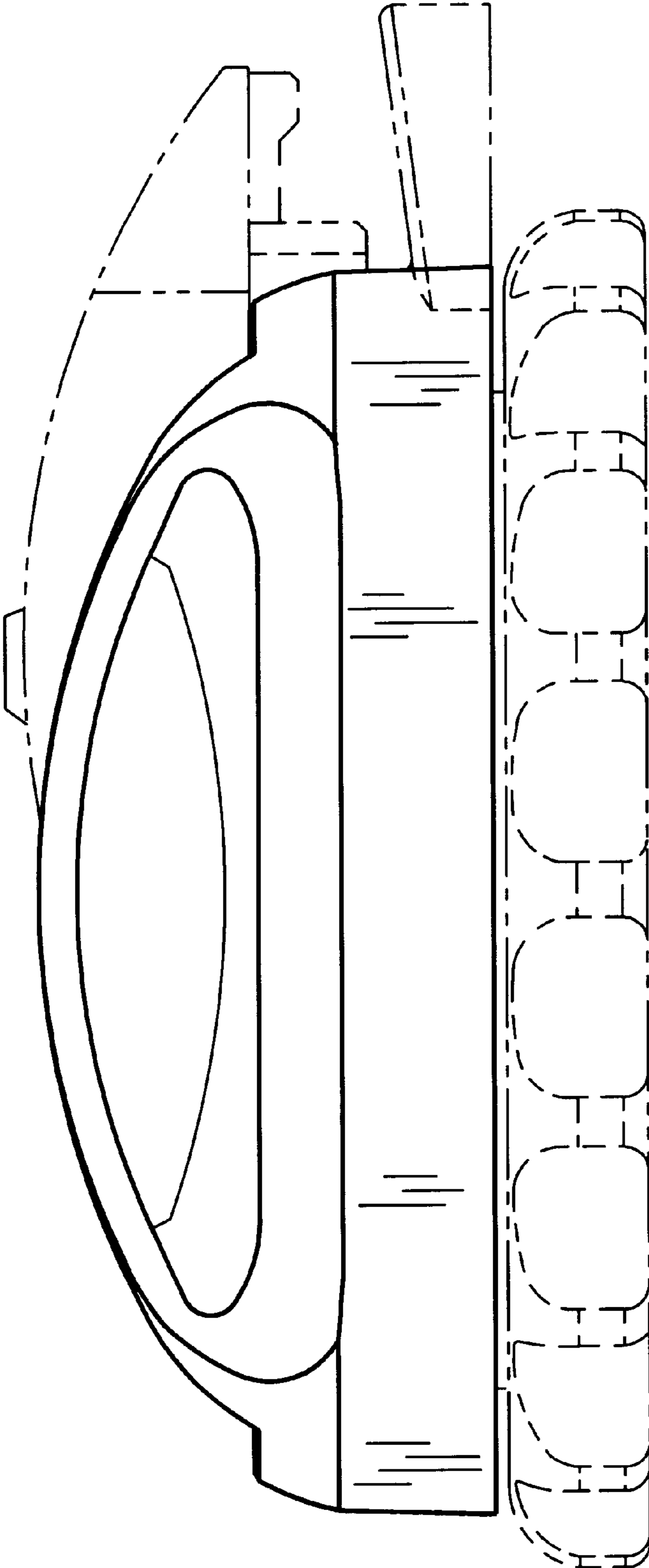


Fig. 4

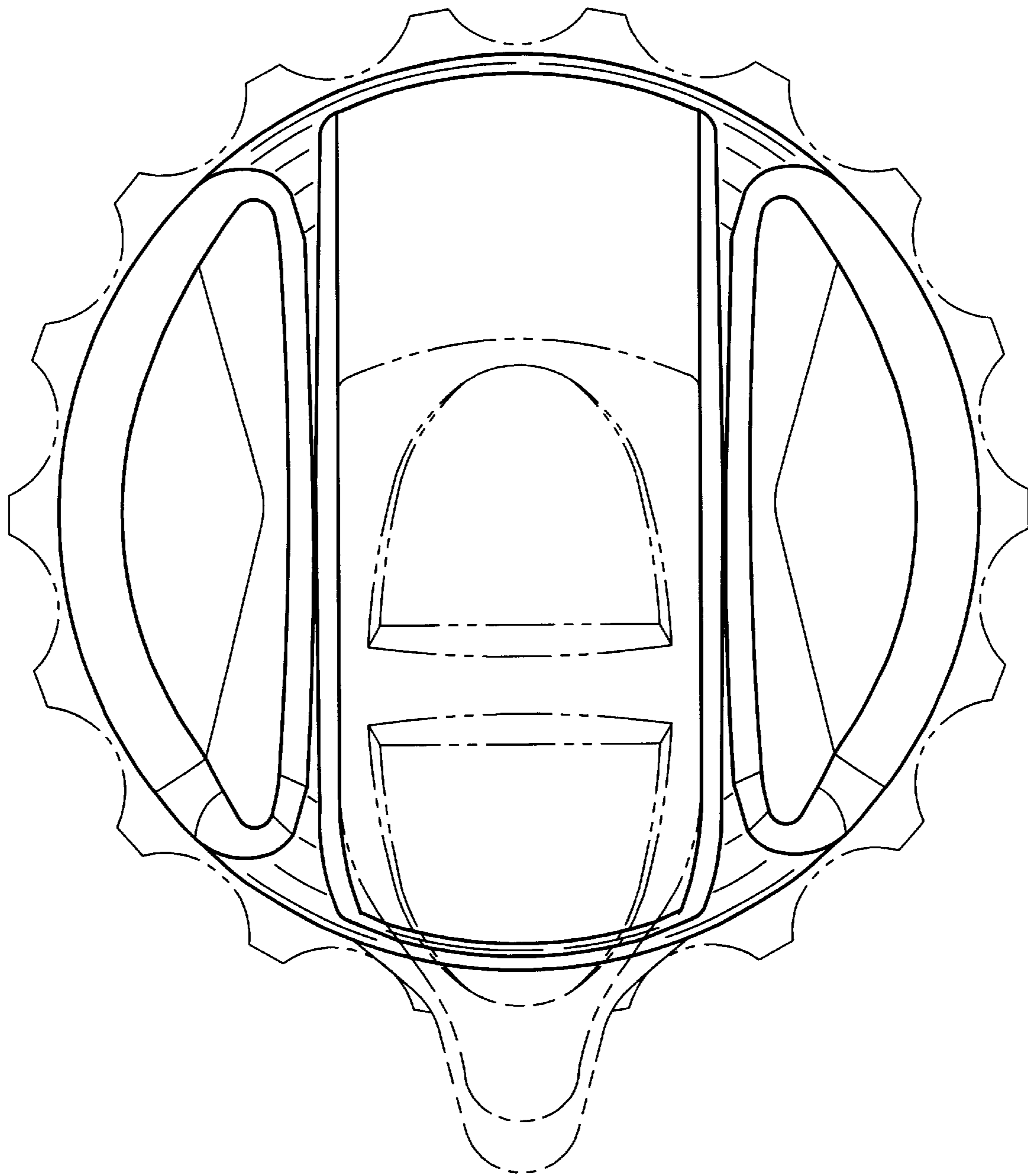


Fig. 5

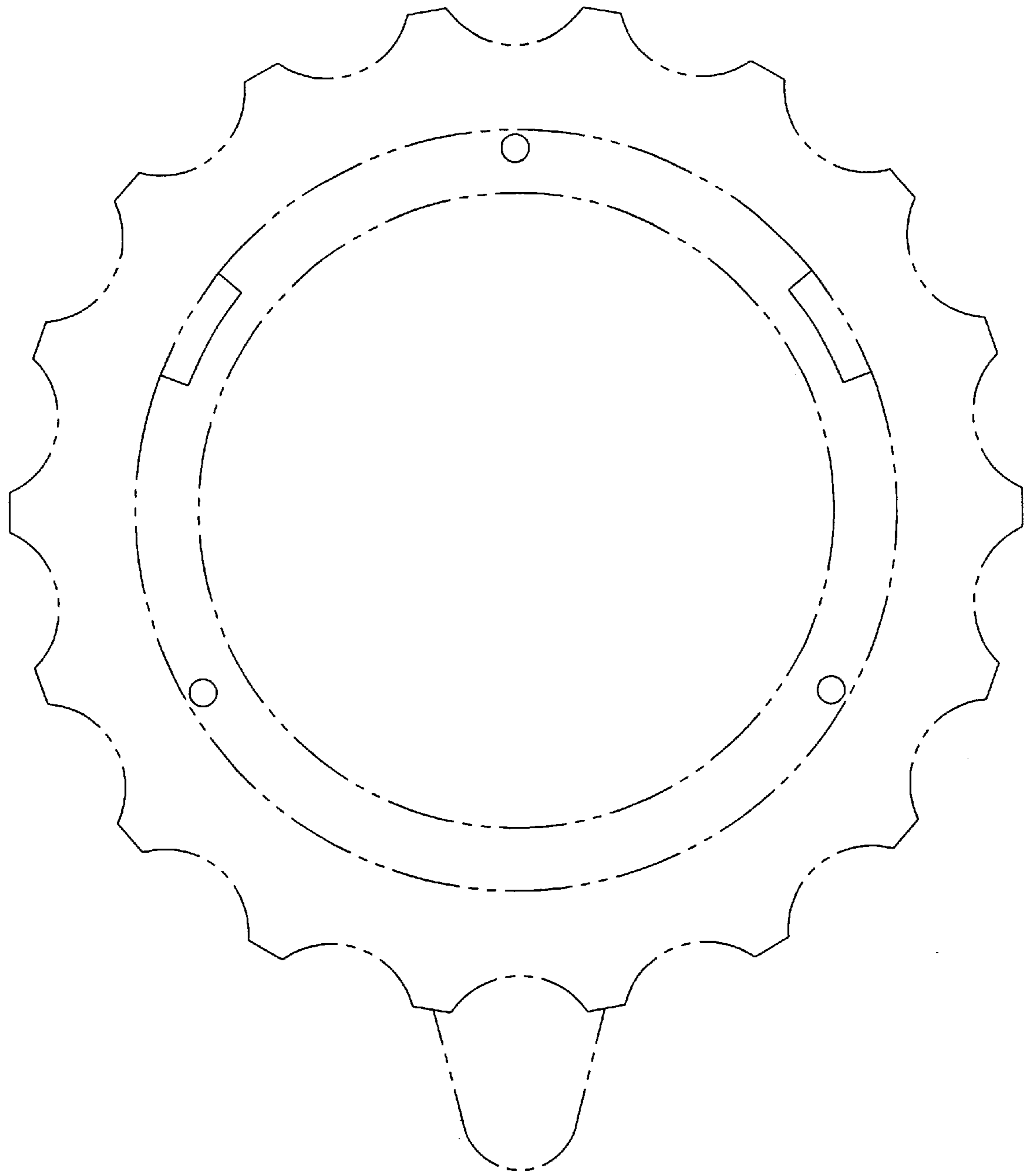


Fig. 6