

US00D524167S

(12) **United States Design Patent** (10) **Patent No.:** **US D524,167 S**  
**Wilson** (45) **Date of Patent:** **\*\* Jul. 4, 2006**

(54) **TABLET DISPENSER**  
(75) Inventor: **Susan Wilson**, Bristol (GB)  
(73) Assignee: **Reckitt Benckiser Healthcare (UK) Limited**, Berkshire (GB)  
(\*\*) Term: **14 Years**

D293,208 S \* 12/1987 van der Heijden ..... D9/521  
D397,033 S \* 8/1998 Puglisi ..... D9/432  
D433,940 S \* 11/2000 Lindsay et al. .... D9/424  
D451,799 S \* 12/2001 Berger et al. .... D9/422  
D459,217 S \* 6/2002 Puglisi ..... D9/432  
D496,271 S \* 9/2004 Hoeltgen ..... D9/424  
D498,139 S \* 11/2004 Haggerty et al. .... D9/417  
D510,859 S \* 10/2005 Dixon et al. .... D9/424  
D513,584 S \* 1/2006 Solowiejko et al. .... D3/294

(21) Appl. No.: **29/234,866**  
(22) Filed: **Jul. 25, 2005**

\* cited by examiner

(30) **Foreign Application Priority Data**

Jan. 25, 2005 (EM) ..... 000285275

*Primary Examiner*—Nanda Bondade  
*Assistant Examiner*—Shanda C. Hill  
(74) *Attorney, Agent, or Firm*—Rothwell, Figg, Ernst & Manbeck P.C.

(51) **LOC (8) Cl.** ..... **09-03**  
(52) **U.S. Cl.** ..... **D9/730**  
(58) **Field of Classification Search** ..... D9/730,  
D9/731, 733, 735, 736, 414, 416, 417, 424,  
D9/430, 431, 432; D6/512, 515; D3/203.2,  
D3/294; D24/103, 113; 206/37, 528, 538,  
206/539, 533; 222/153.07, 498, 543, 546  
See application file for complete search history.

(57) **CLAIM**

The ornamental design for a tablet dispenser, as shown and described.

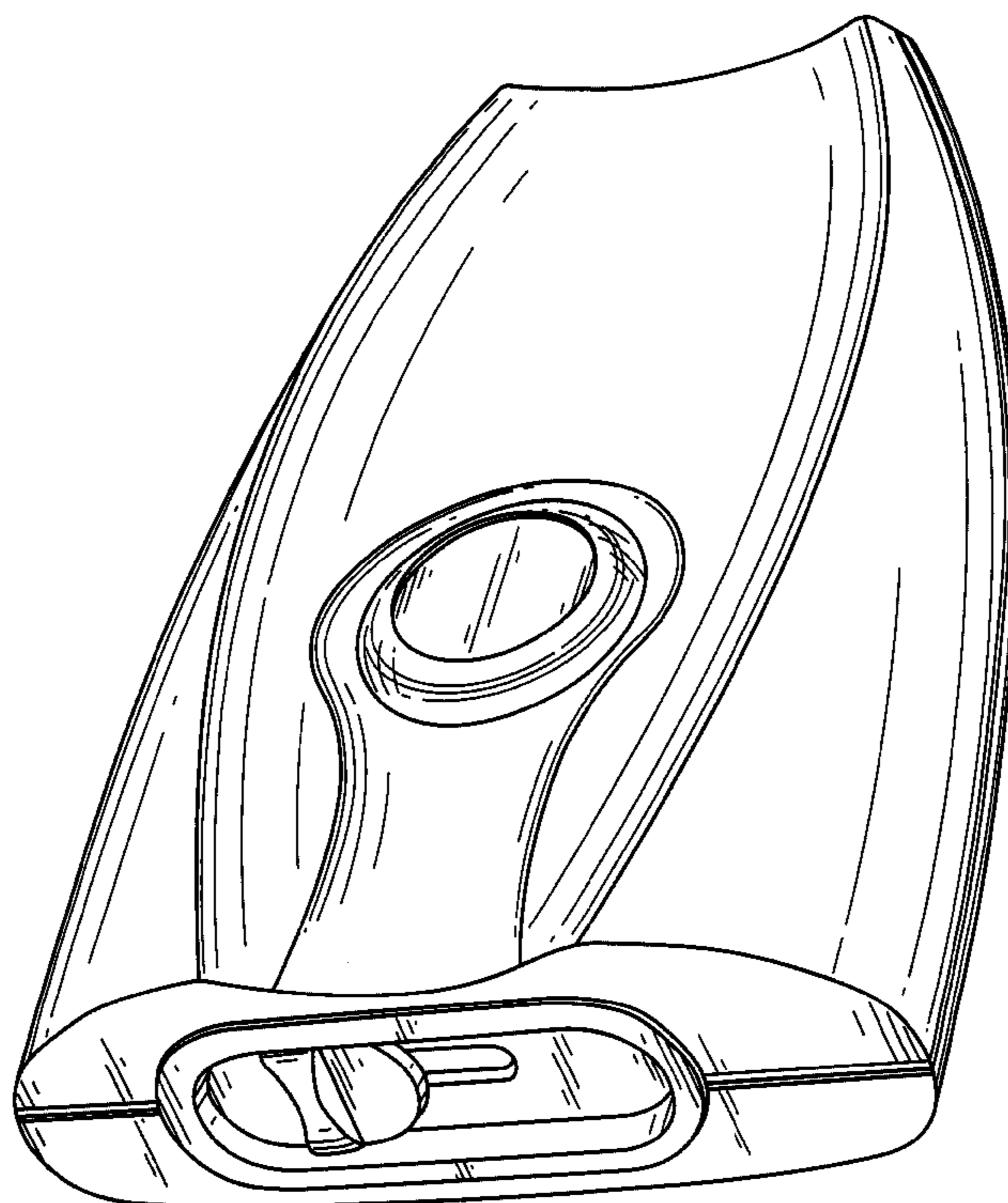
**DESCRIPTION**

FIG. 1 is a perspective view of a tablet dispenser showing my new design;  
FIG. 2 is a top plan view thereof;  
FIG. 3 is a bottom plan view thereof;  
FIG. 4 is a front elevational view thereof;  
FIG. 5 is a rear elevational view thereof;  
FIG. 6 is a side elevational view thereof; and,  
FIG. 7 is a side elevational view thereof opposite FIG. 6.

(56) **References Cited**  
U.S. PATENT DOCUMENTS

2,705,576 A 4/1955 Amelio et al.  
3,511,409 A 5/1970 Huck  
D252,558 S \* 8/1979 Beck ..... D9/418  
D278,207 S \* 4/1985 McLaughlin ..... D3/203.2

**1 Claim, 5 Drawing Sheets**



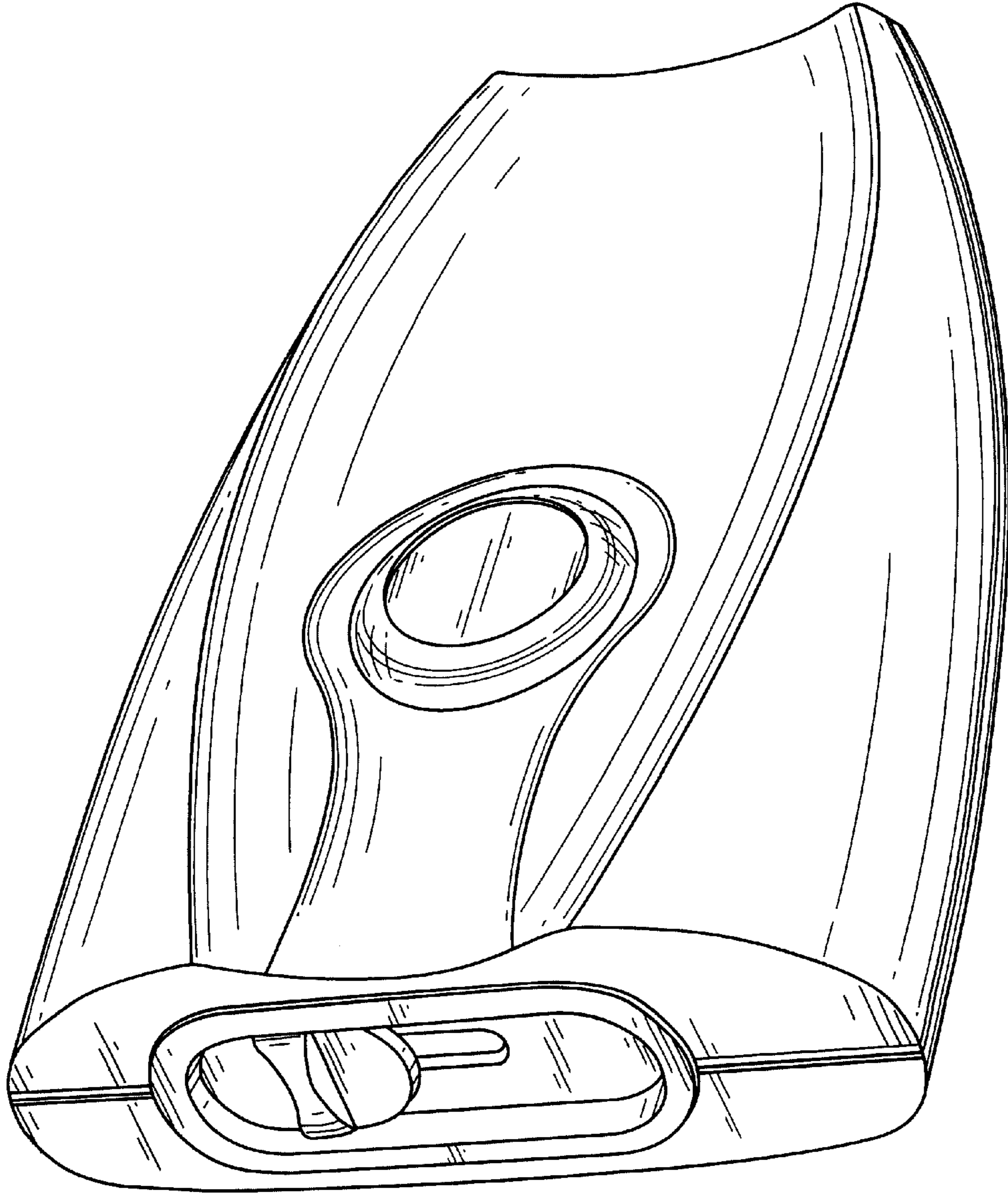


FIG. 1

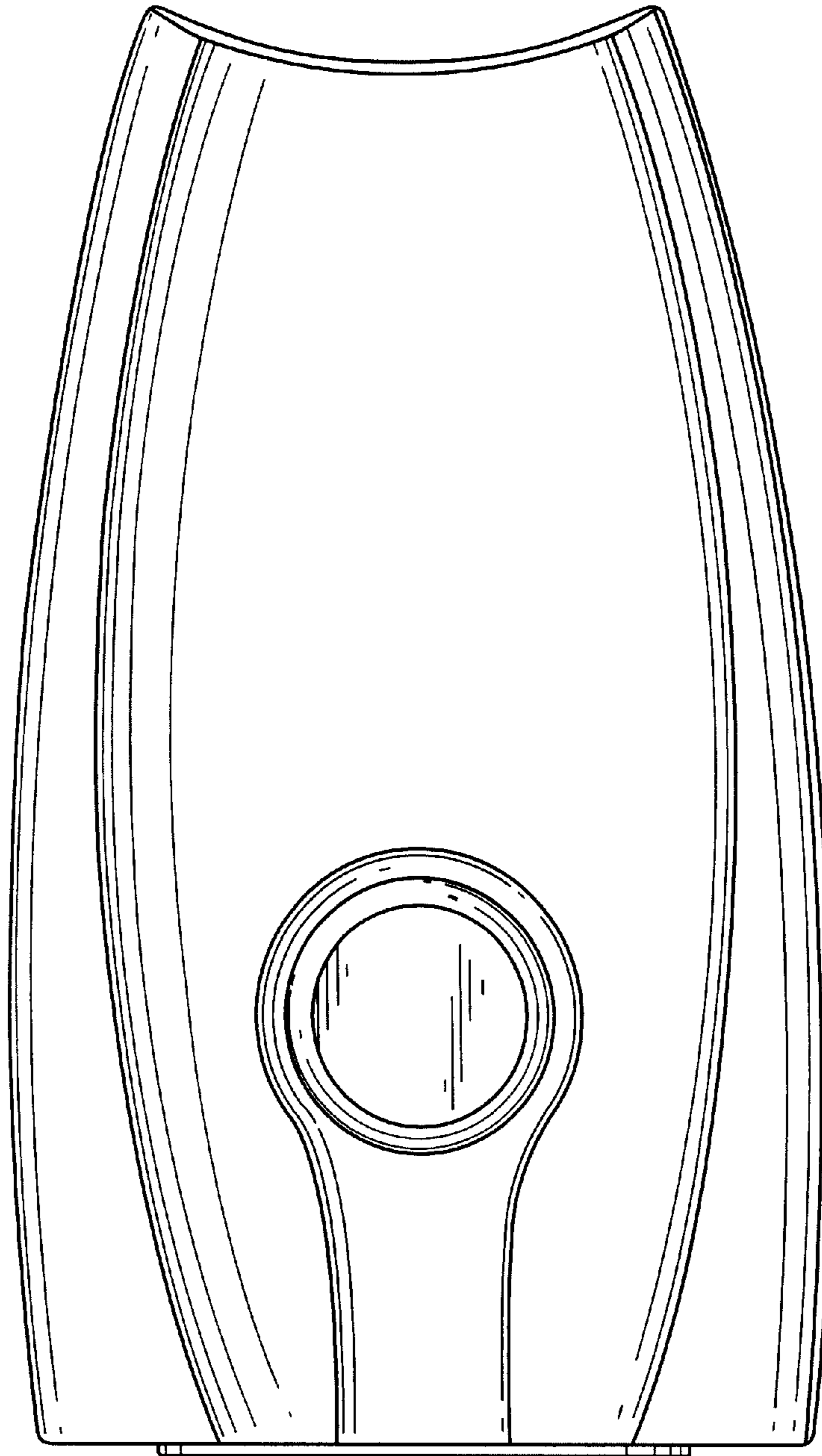


FIG.2

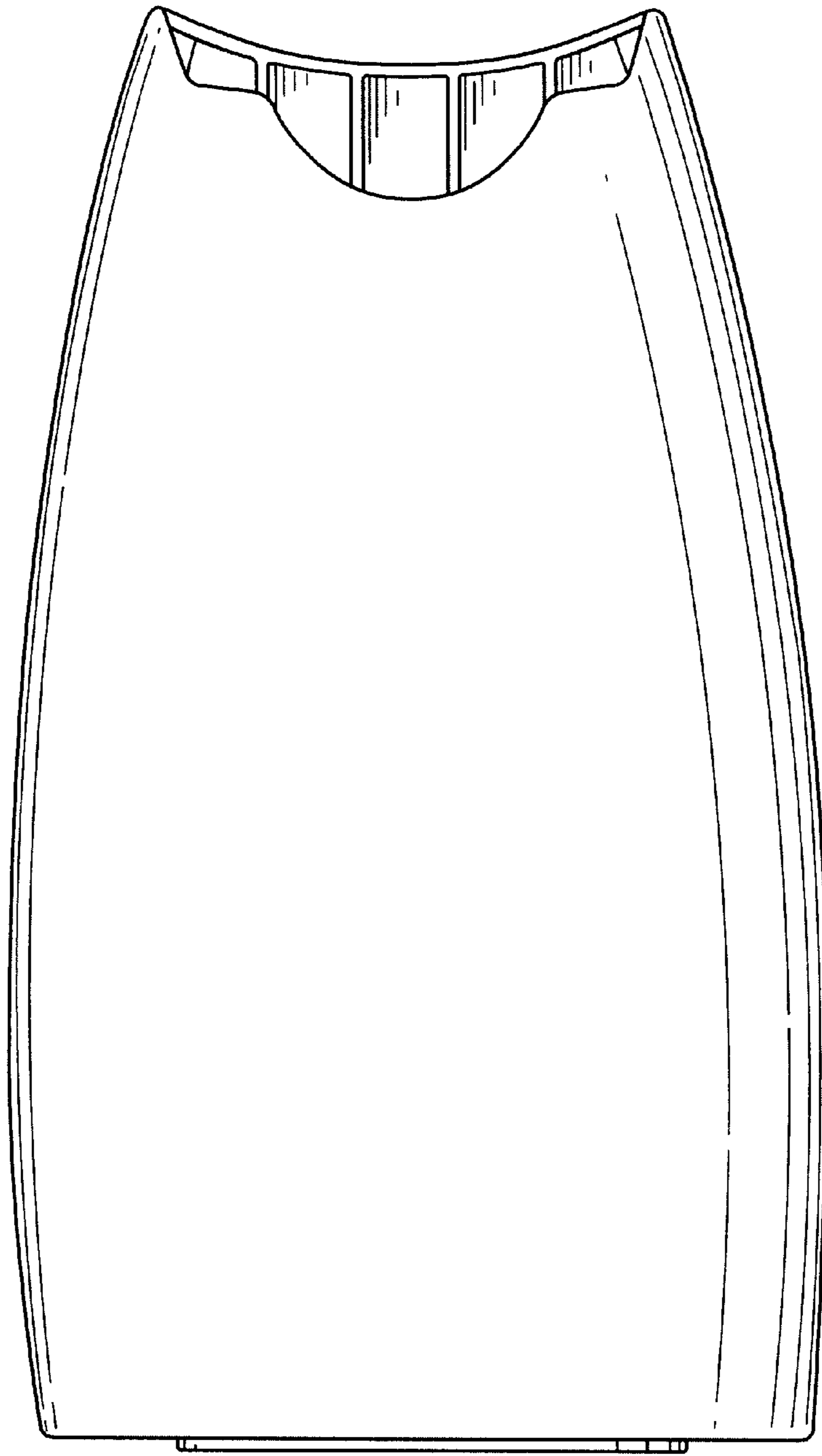


FIG. 3

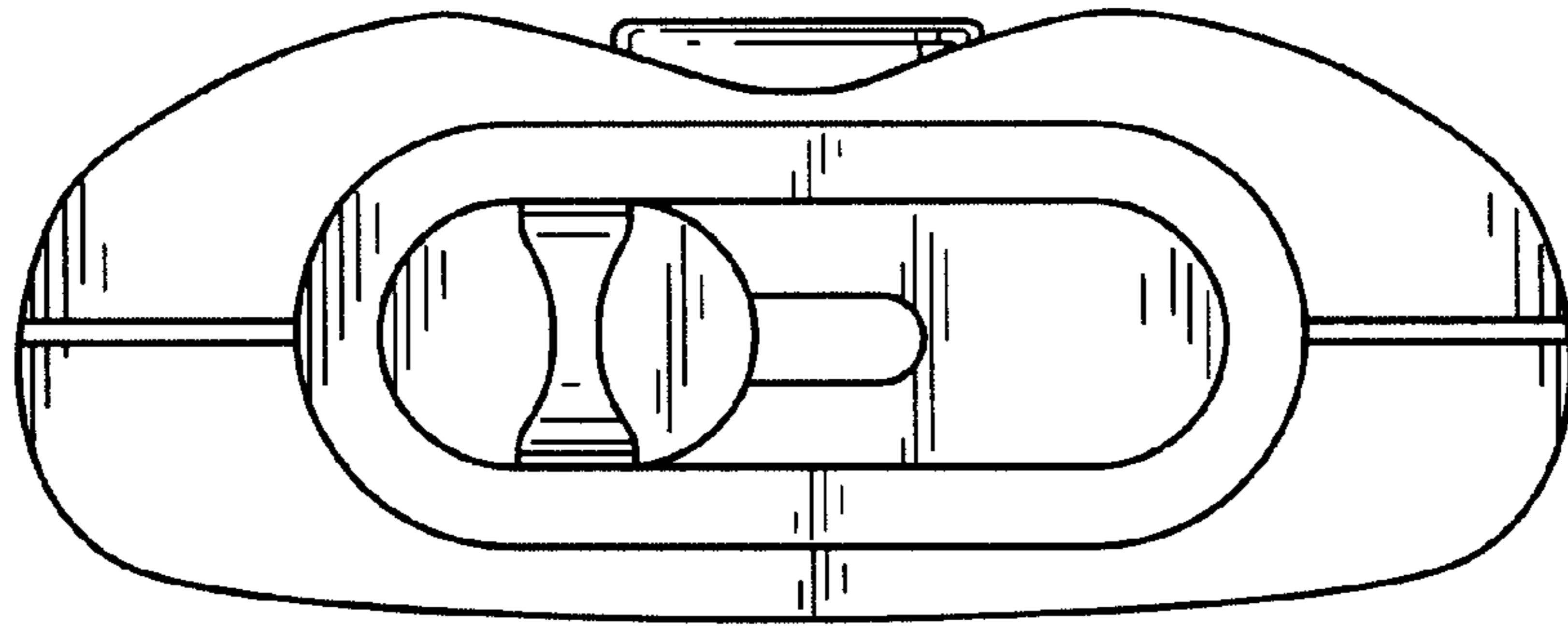


FIG. 4

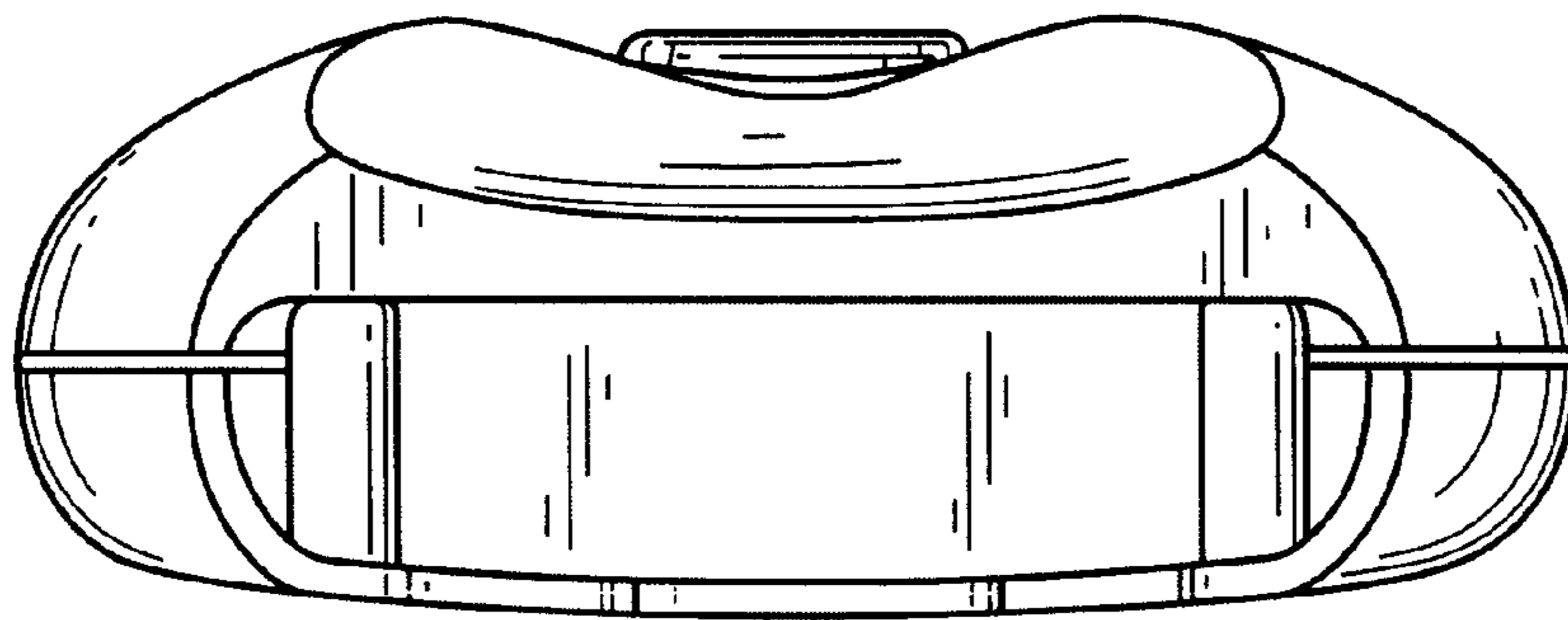


FIG. 5

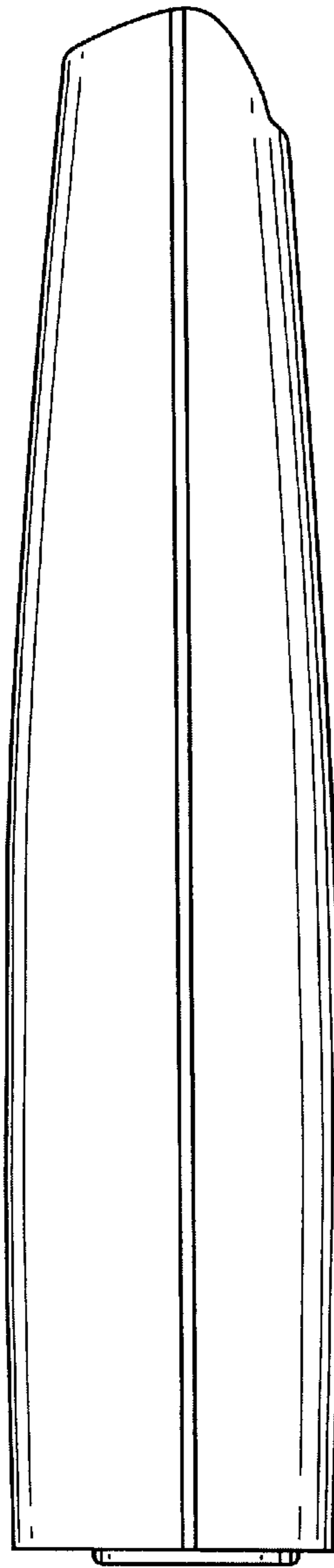


FIG. 6

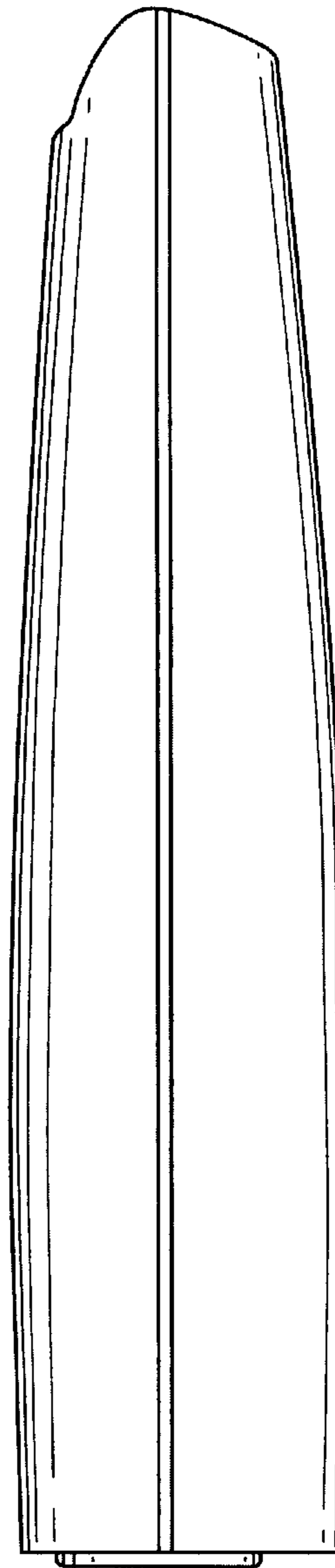


FIG. 7