

US00D524158S

(12) **United States Design Patent**
Caserta et al.

(10) **Patent No.:** **US D524,158 S**
(45) **Date of Patent:** **** Jul. 4, 2006**

(54) **CAP FOR CONTAINERS OF AIR-FRESHENERS, INSECTICIDES, AND THE LIKE**

(75) Inventors: **Andrea Caserta**, Barcelona (ES);
Ruben Garcia Fabrega, Barcelona (ES); **José Luque Salcedo**, Barcelona (ES); **Julio Cesar Ruiz Ballesteros**, Barcelona (ES)

(73) Assignee: **Zobebe Espana S.A.**, Barcelona (ES)

(**) Term: **14 Years**

(21) Appl. No.: **29/228,840**

(22) Filed: **Apr. 28, 2005**

(51) **LOC (8) Cl.** **09-07**

(52) **U.S. Cl.** **D9/447; D9/453**

(58) **Field of Classification Search** D9/453,
D9/452, 449, 447, 446, 435, 444; D7/516,
D7/511, 510, 392.1; D24/197; 215/11.1;
220/713; 222/109, 129, 145, 207, 212, 485,
222/80, 94

See application file for complete search history.

(56) **References Cited**

U.S. PATENT DOCUMENTS

D130,597 S * 12/1941 Derham D9/449
D264,054 S * 4/1982 Kieber D9/453
D317,127 S * 5/1991 Zubek D9/435

D319,588 S * 9/1991 Beck D9/447
D338,189 S * 8/1993 Briggs D13/113
5,921,440 A * 7/1999 Maines 222/145.2
D426,068 S * 6/2000 An D4/116
D461,407 S * 8/2002 Barnes et al. D9/453
D476,232 S * 6/2003 Maus et al. D9/449
D498,146 S * 11/2004 Densky et al. D9/571
D510,523 S * 10/2005 Pitman et al. D9/452

* cited by examiner

Primary Examiner—Robert M. Spear

Assistant Examiner—Susan Bennett Hattan

(74) *Attorney, Agent, or Firm*—Ladas and Parry LLP

(57) **CLAIM**

We claim the ornamental design for cap for containers of air-fresheners, insecticides, and the like, as shown.

DESCRIPTION

FIG. 1 is a top, front perspective view of a cap for containers of air-fresheners, insecticides, and the like showing the new design.

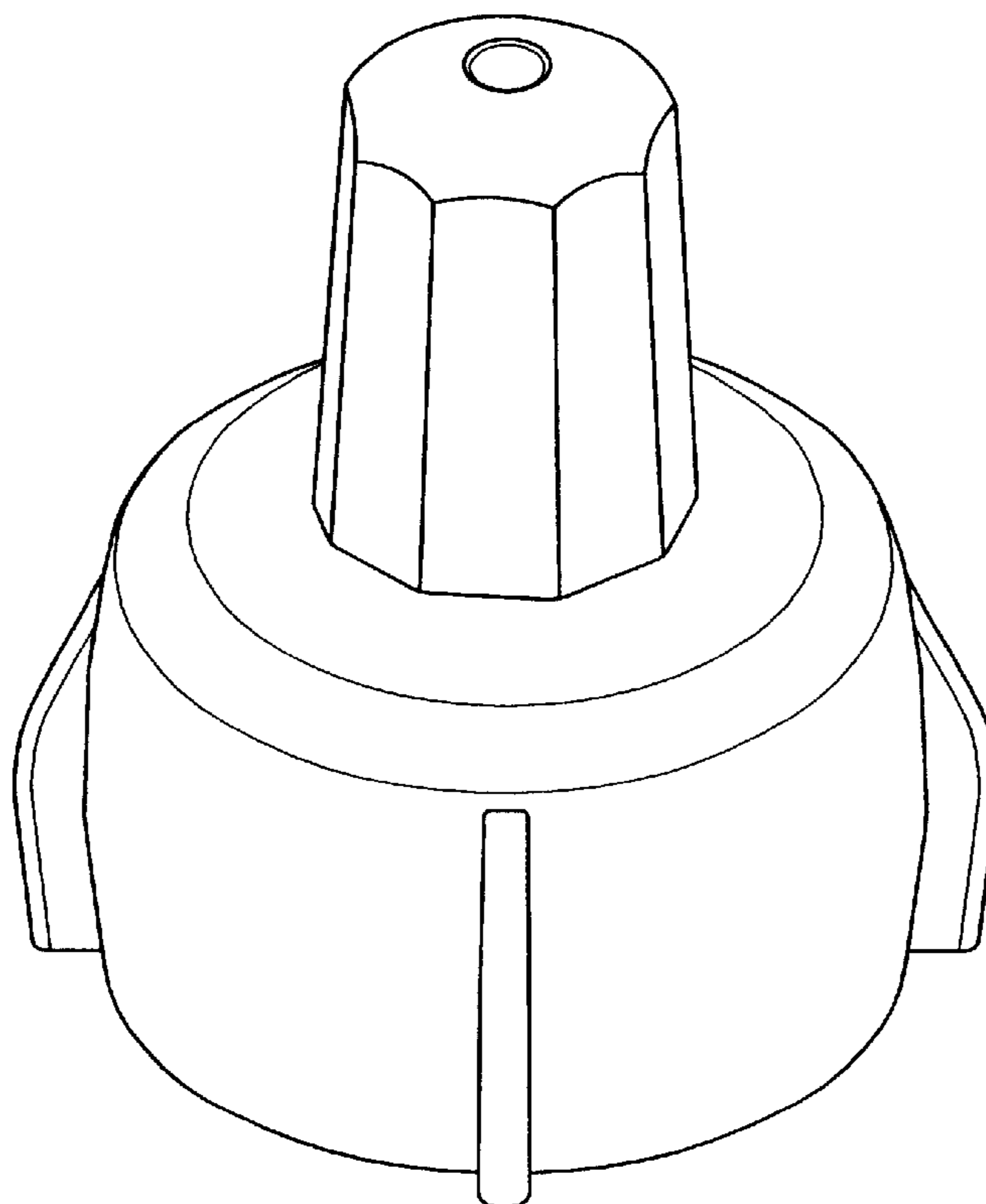
FIG. 2 is a bottom perspective view of the cap turned counterclockwise.

FIG. 3 is a front elevational view of FIG. 1 turned 45°.

FIG. 4 is a top plan view of FIG. 3; and,

FIG. 5 is a front elevational view of the cap shown in FIG. 1, the rear elevational view and the side elevational views being the same and not shown.

1 Claim, 5 Drawing Sheets



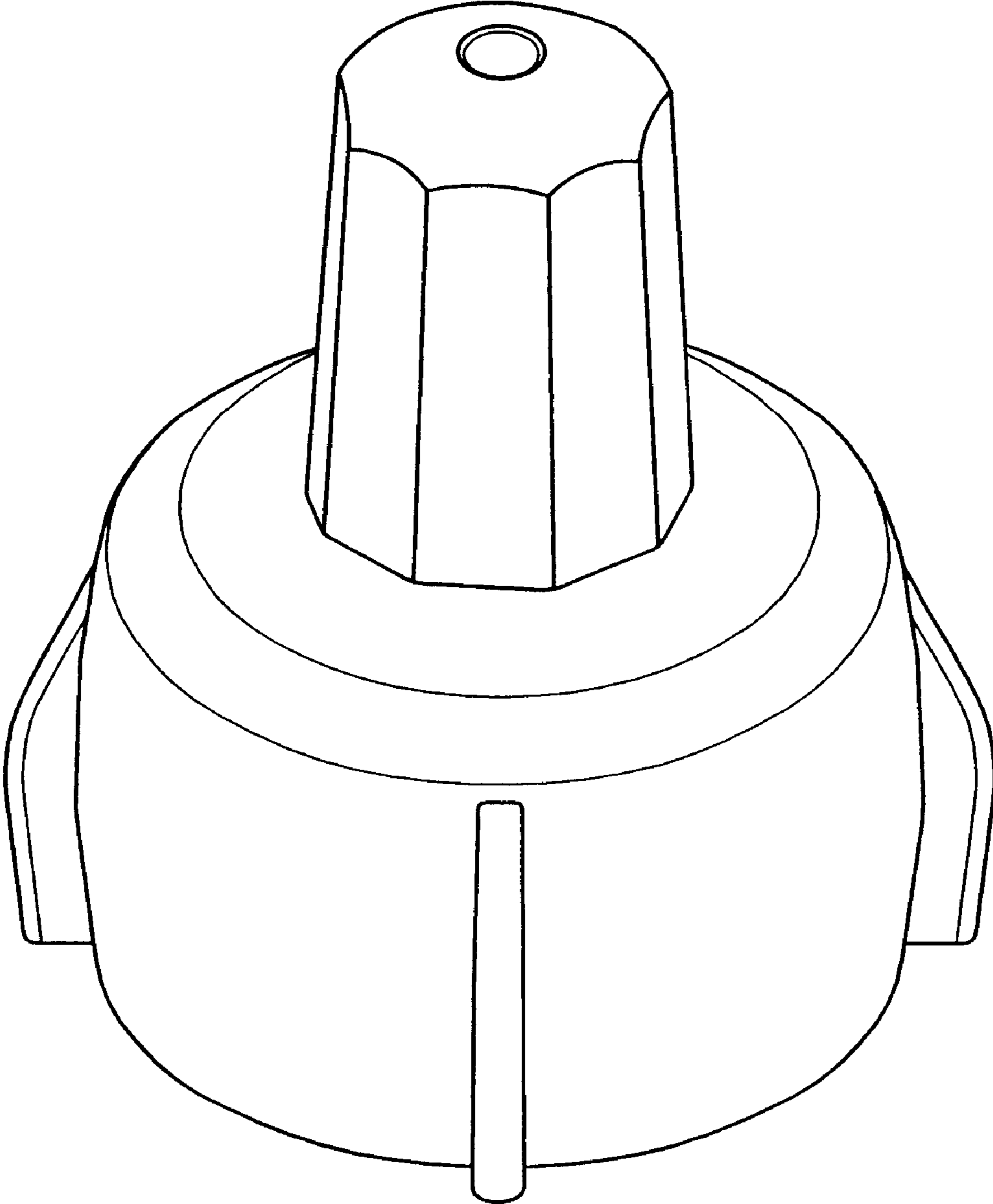


FIG. 1

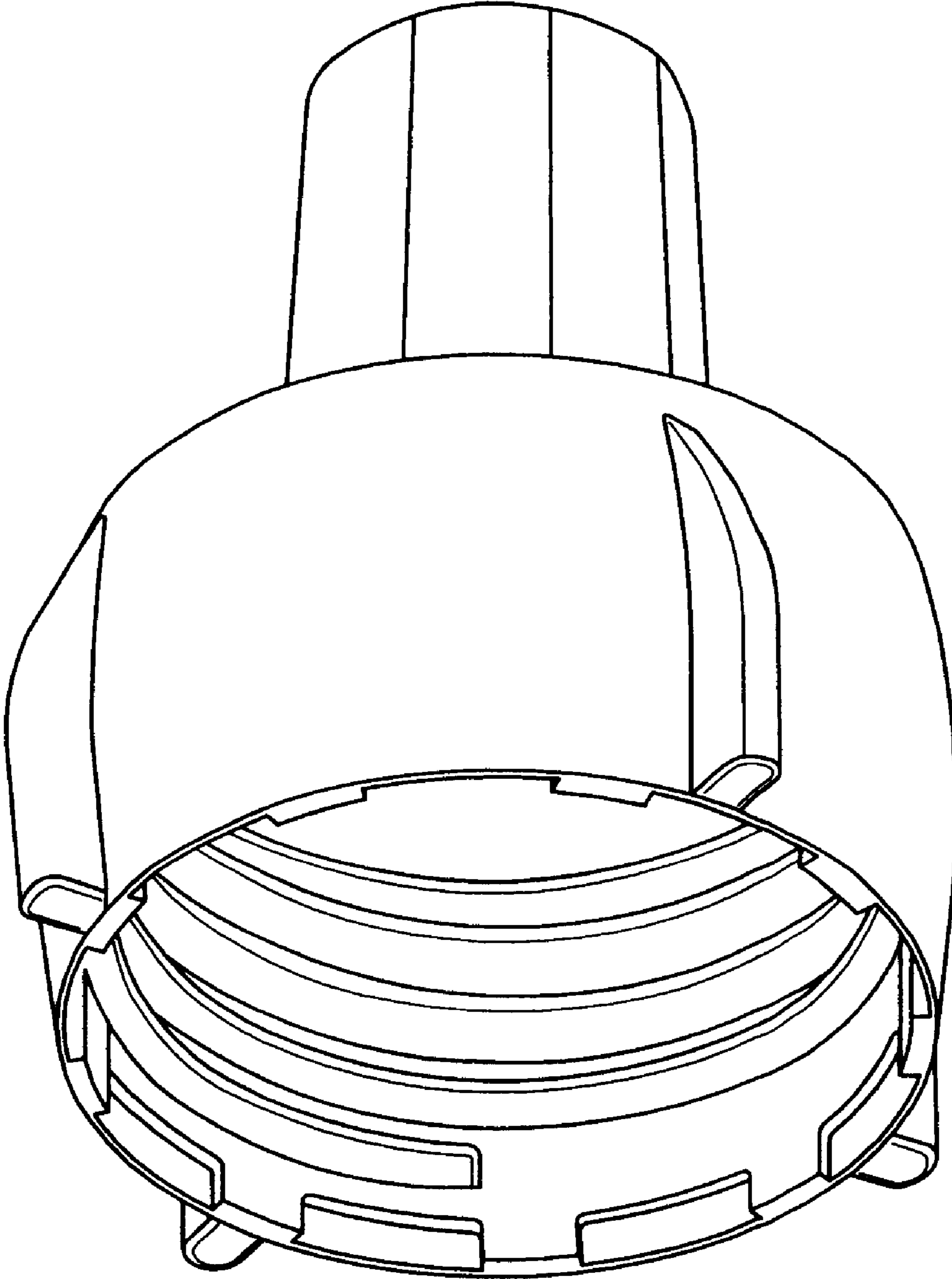


FIG.2

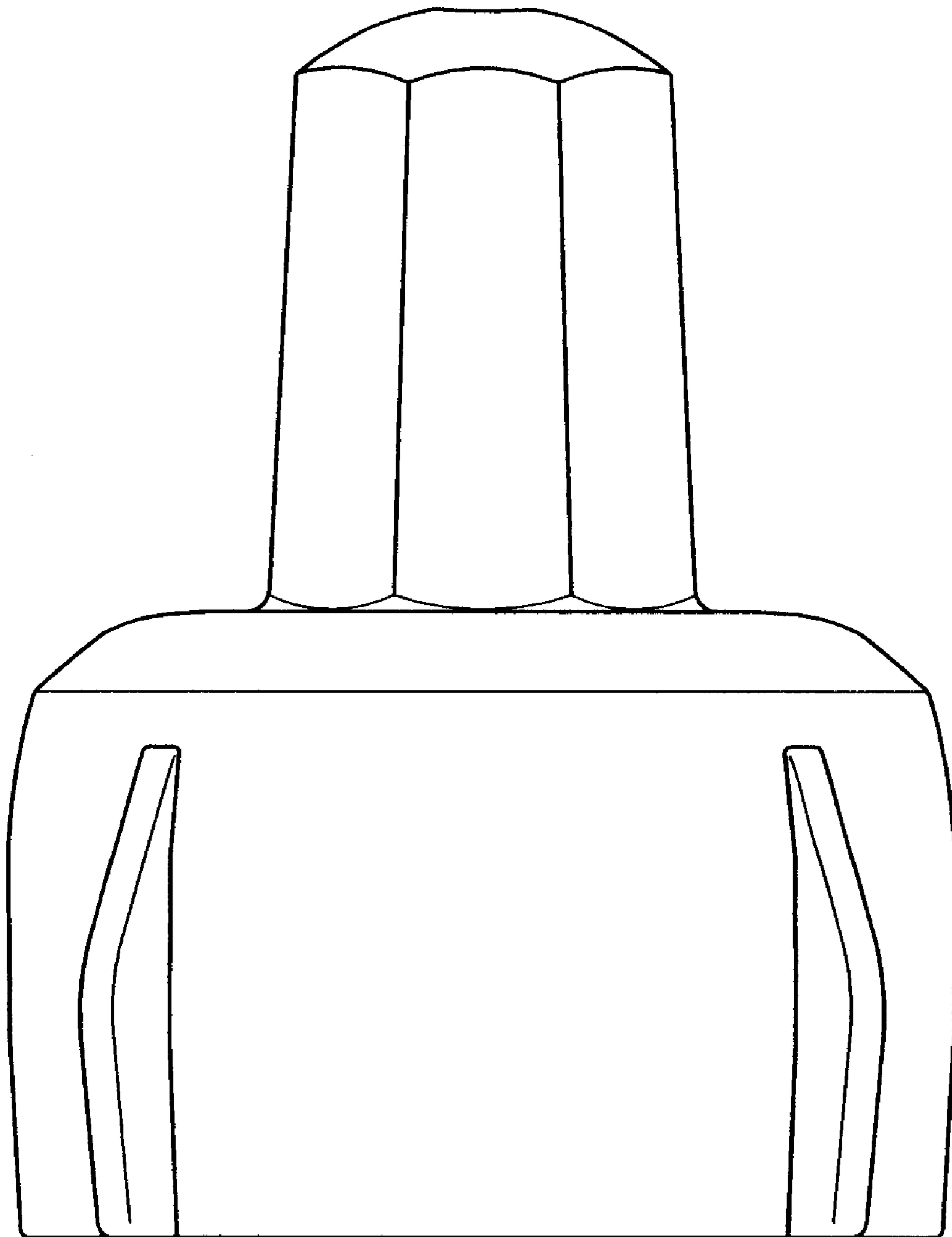


FIG.3

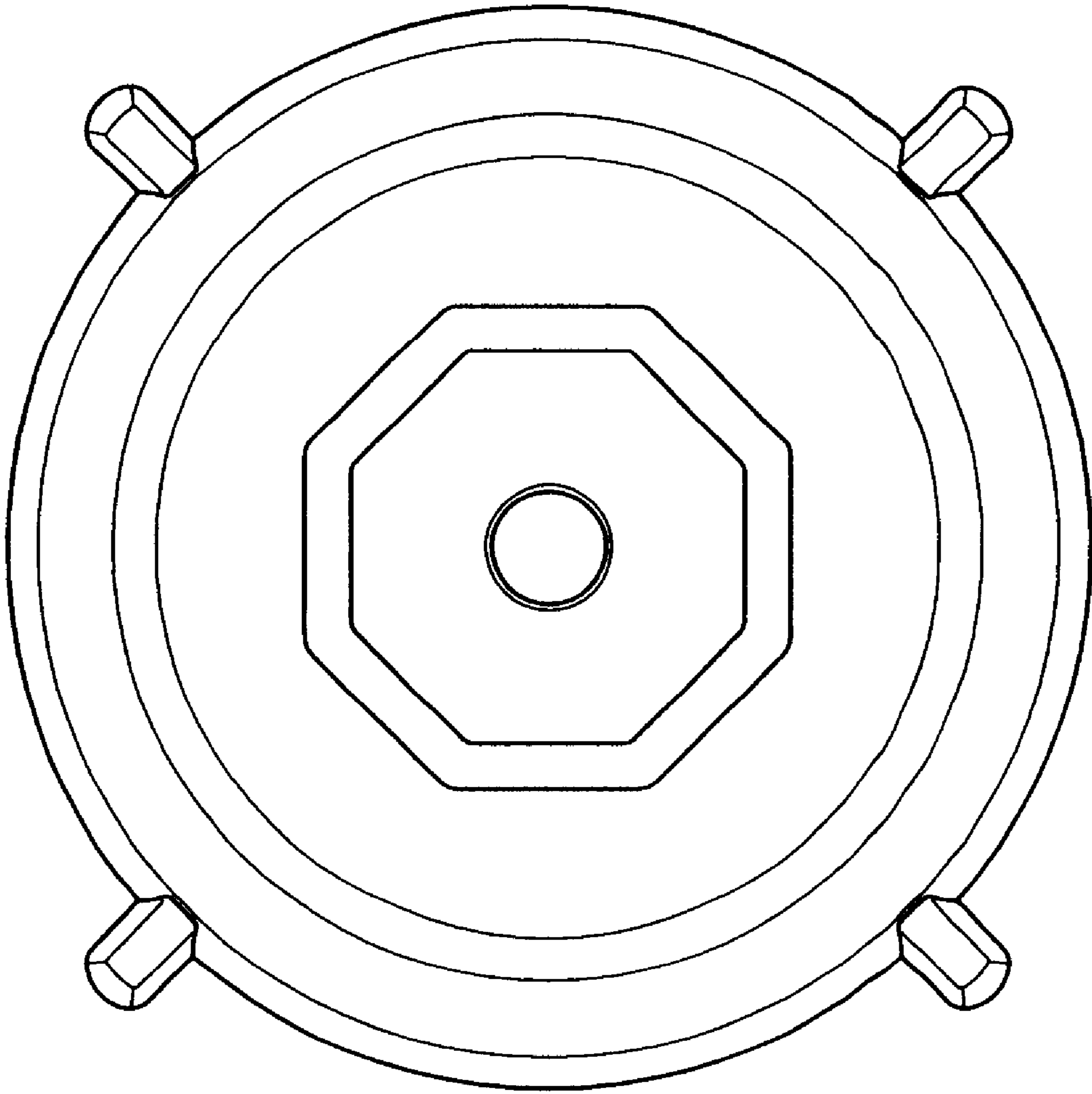


FIG.4

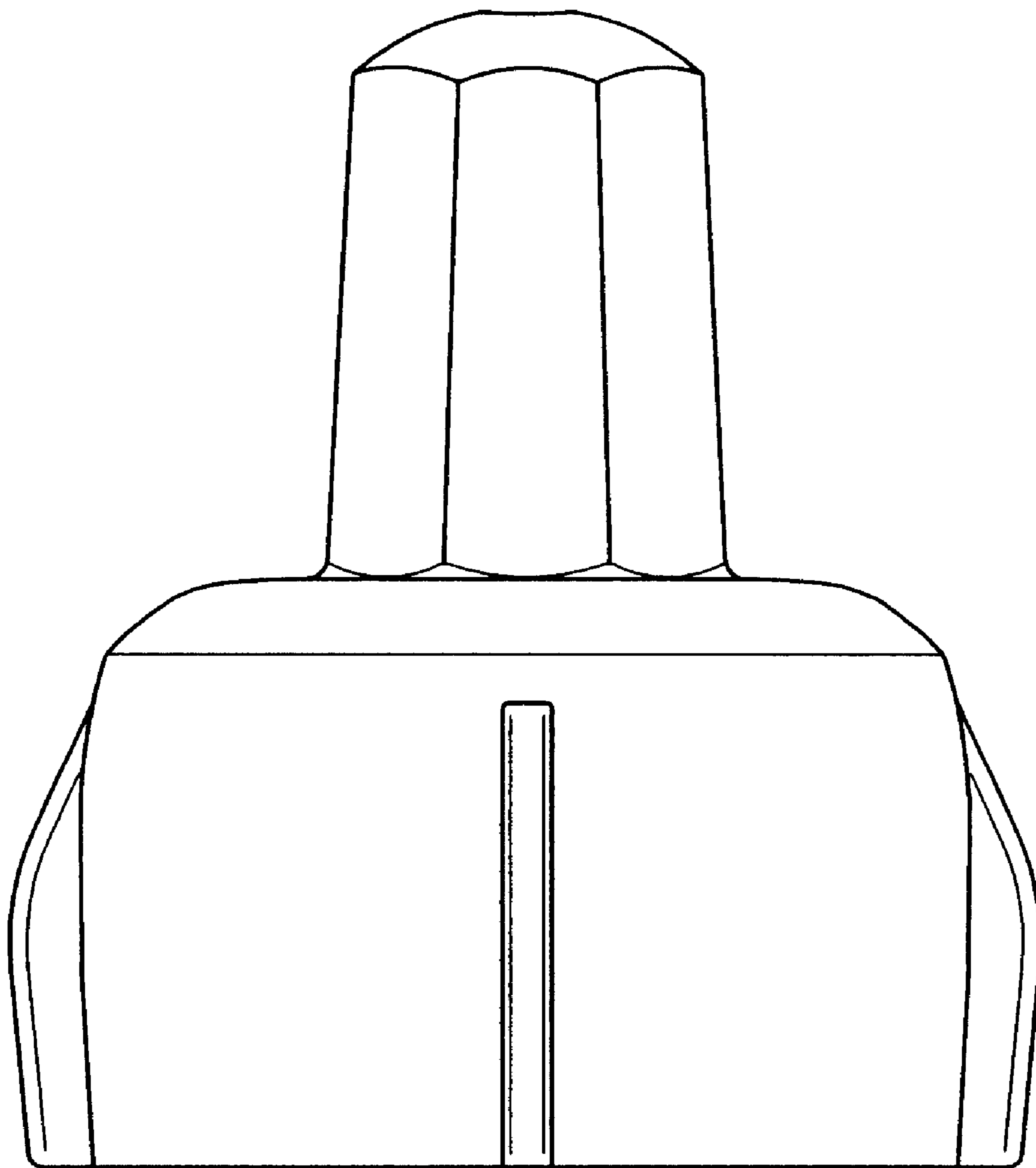


FIG.5