



US00D524153S

(12) **United States Design Patent**  
**Reinhard**

(10) **Patent No.:** **US D524,153 S**

(45) **Date of Patent:** **\*\* Jul. 4, 2006**

(54) **CONTAINER**

(75) Inventor: **Heinz Reinhard**, Schnottwil (CH)

(73) Assignee: **Hoffman Neopac AG**, Thun (CH)

(\*\*) Term: **14 Years**

(21) Appl. No.: **29/234,707**

(22) Filed: **Jul. 21, 2005**

(51) **LOC (8) Cl.** ..... **09-03**

(52) **U.S. Cl.** ..... **D9/428**

(58) **Field of Classification Search** ..... D9/428,  
D9/416, 420, 421, 426; 220/4.26, 281, 315,  
220/318; 229/406, 407; 132/305; 206/235

See application file for complete search history.

(56) **References Cited**

**U.S. PATENT DOCUMENTS**

D155,559 S	*	10/1949	Tillmann	.....	D9/429
D198,512 S	*	6/1964	Burdick et al.	.....	D9/503
D214,019 S	*	5/1969	Newman	.....	D9/521
3,504,821 A	*	4/1970	Wolbers	.....	220/282
D358,986 S	*	6/1995	Heyl et al.	.....	D9/756
D359,448 S	*	6/1995	Aronson	.....	D9/428

D373,954 S	*	9/1996	Wolff	.....	D9/429
D399,603 S	*	10/1998	Hemsley et al.	.....	D28/66
D475,618 S	*	6/2003	Barnes et al.	.....	D9/414
D480,303 S	*	10/2003	Tompkins	.....	D9/428
D484,408 S		12/2003	Anderson	.....	D9/428

\* cited by examiner

*Primary Examiner*—Prabhakar Deshmukh

*Assistant Examiner*—Derrick Holland

(74) *Attorney, Agent, or Firm*—Gifford, Krass, Groh,  
Sprinkle, Anderson & Citowski, P.C.

(57) **CLAIM**

The ornamental design for a container, as shown and described.

**DESCRIPTION**

FIG. 1 is a perspective view of a container, showing my new design;

FIG. 2 is a perspective view thereof, in an open position;

FIG. 3 is a top view thereof;

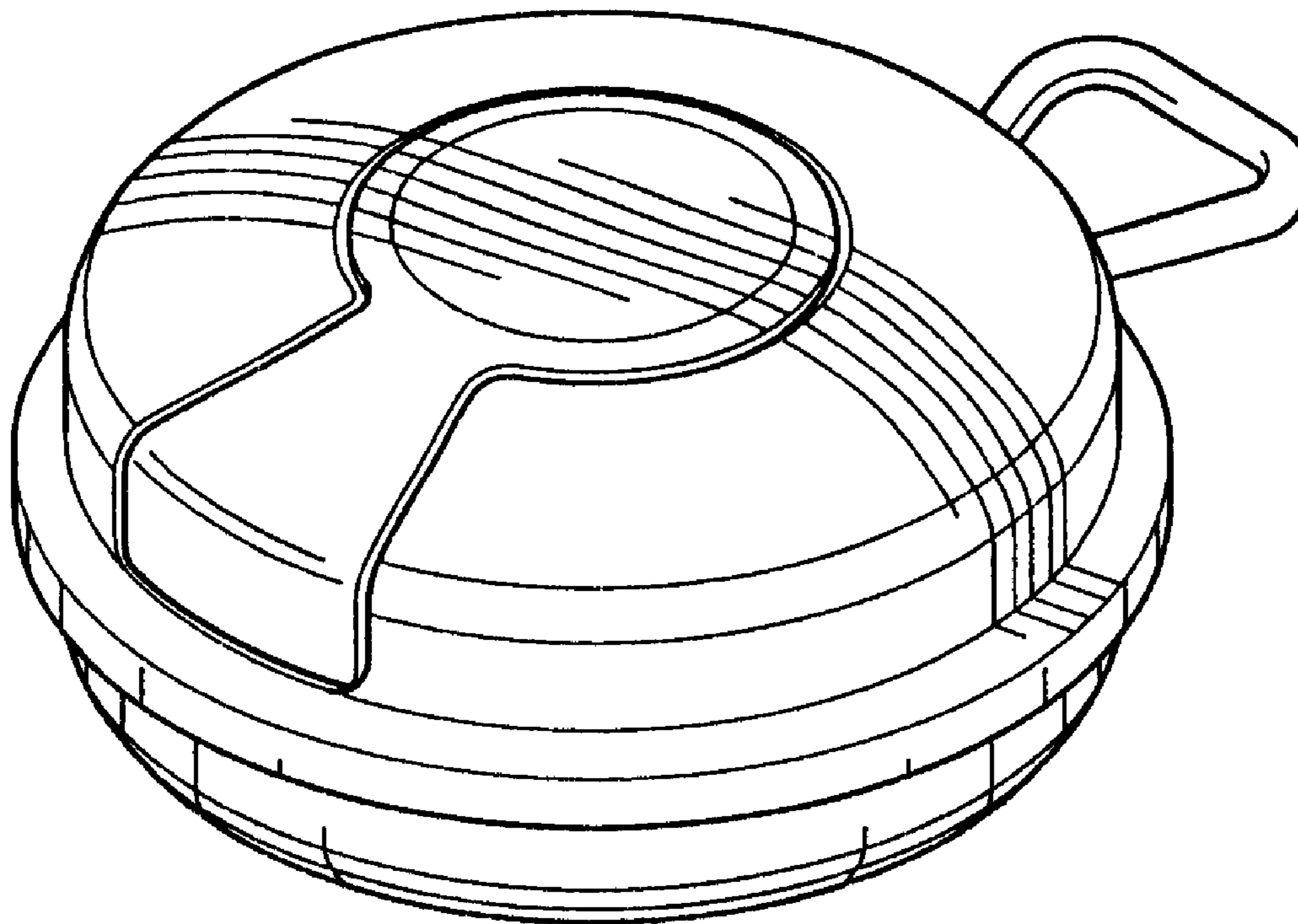
FIG. 4 is a front view thereof;

FIG. 5 is a front view thereof, in an open position;

FIG. 6 is a side view thereof; and,

FIG. 7 is a bottom view thereof.

**1 Claim, 2 Drawing Sheets**



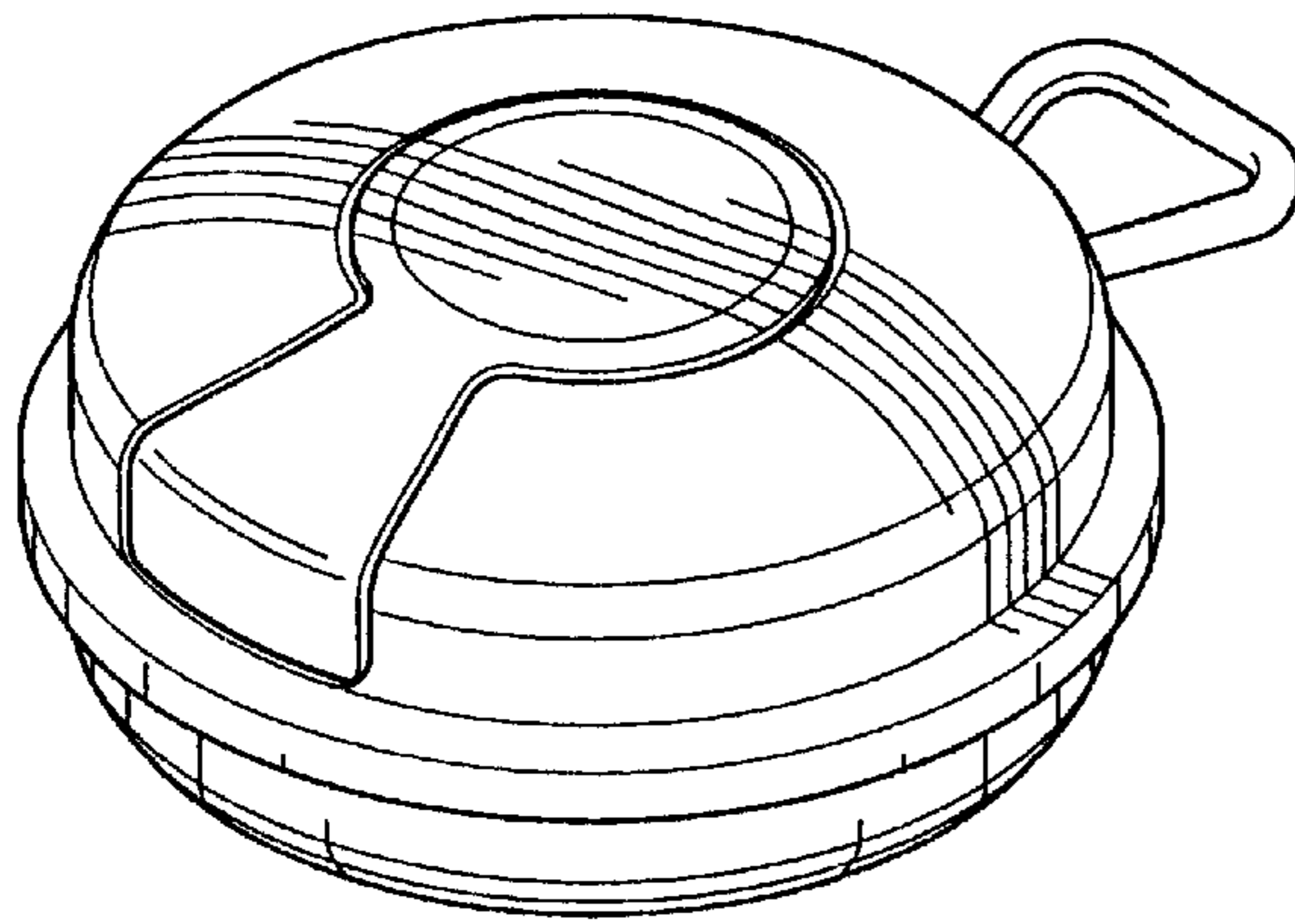


Figure 1

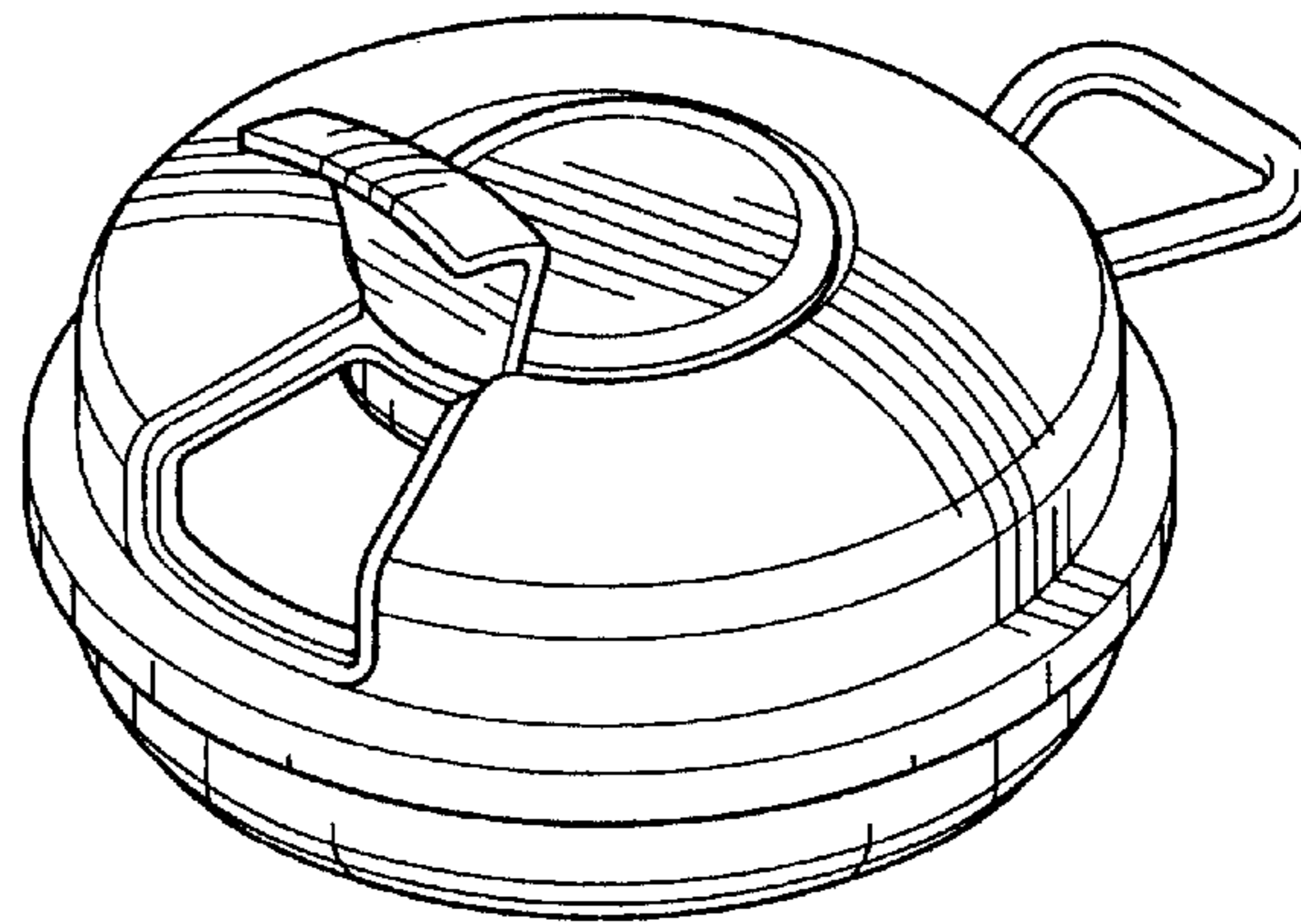


Figure 2

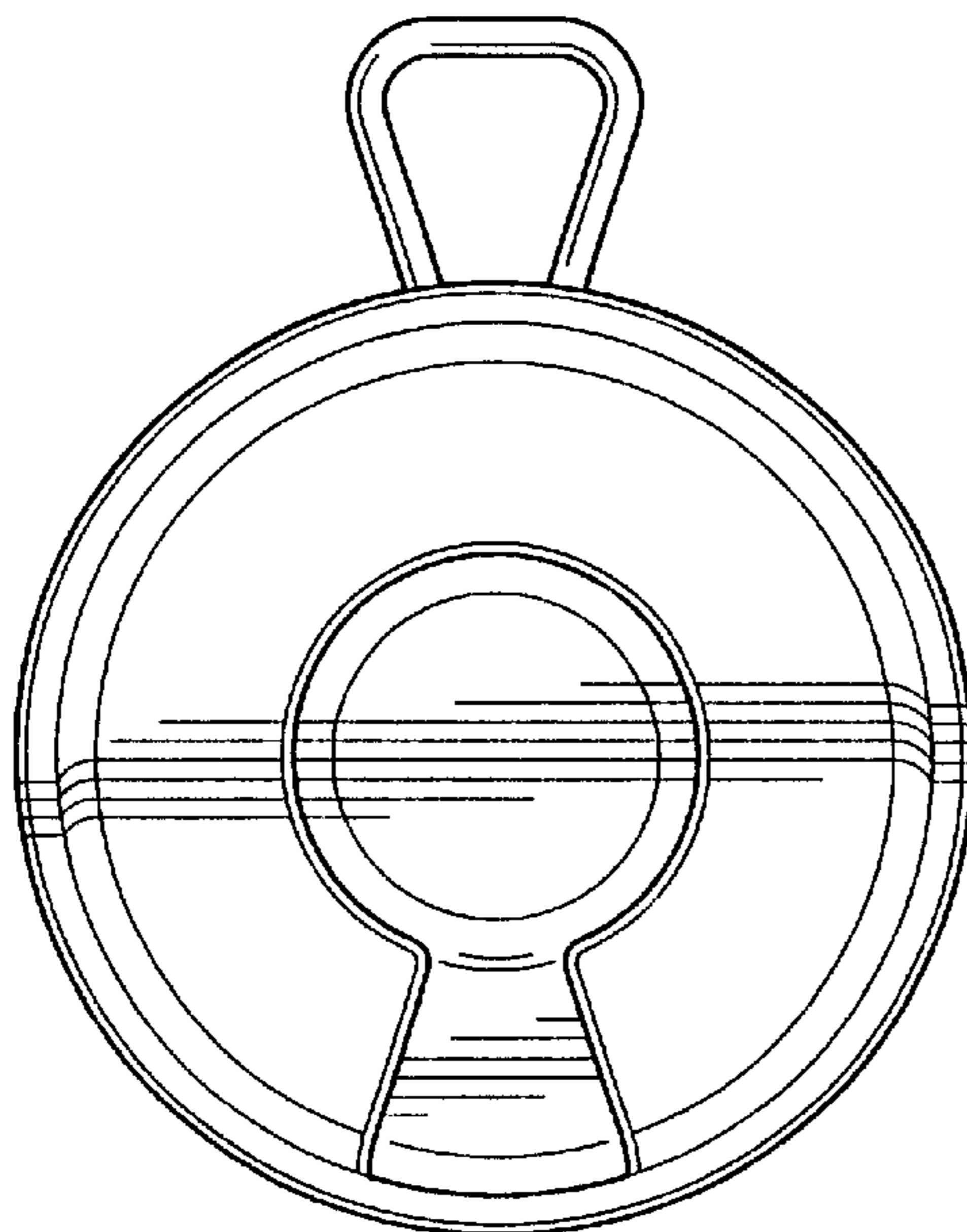


Figure 3

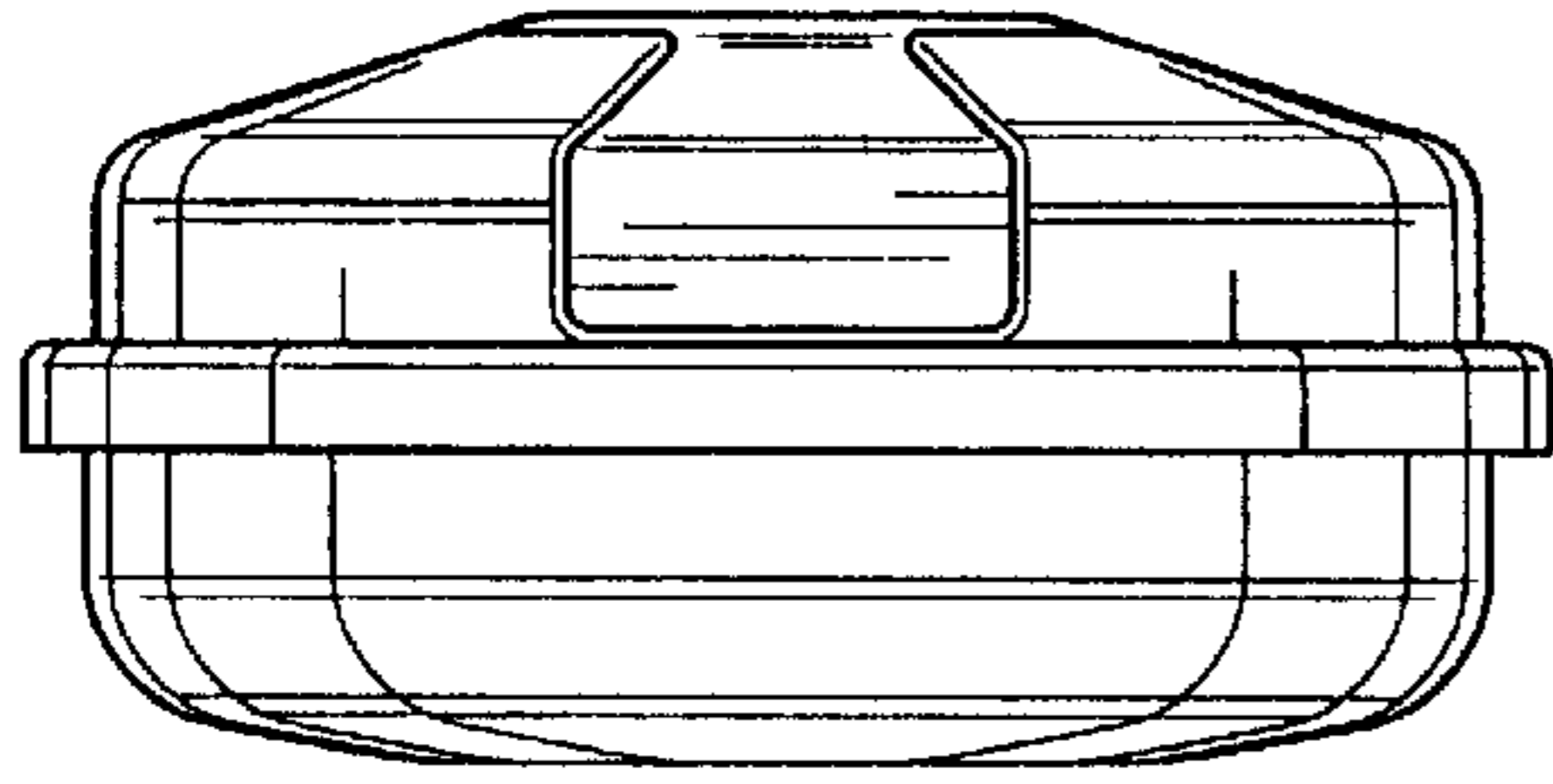


Figure 4

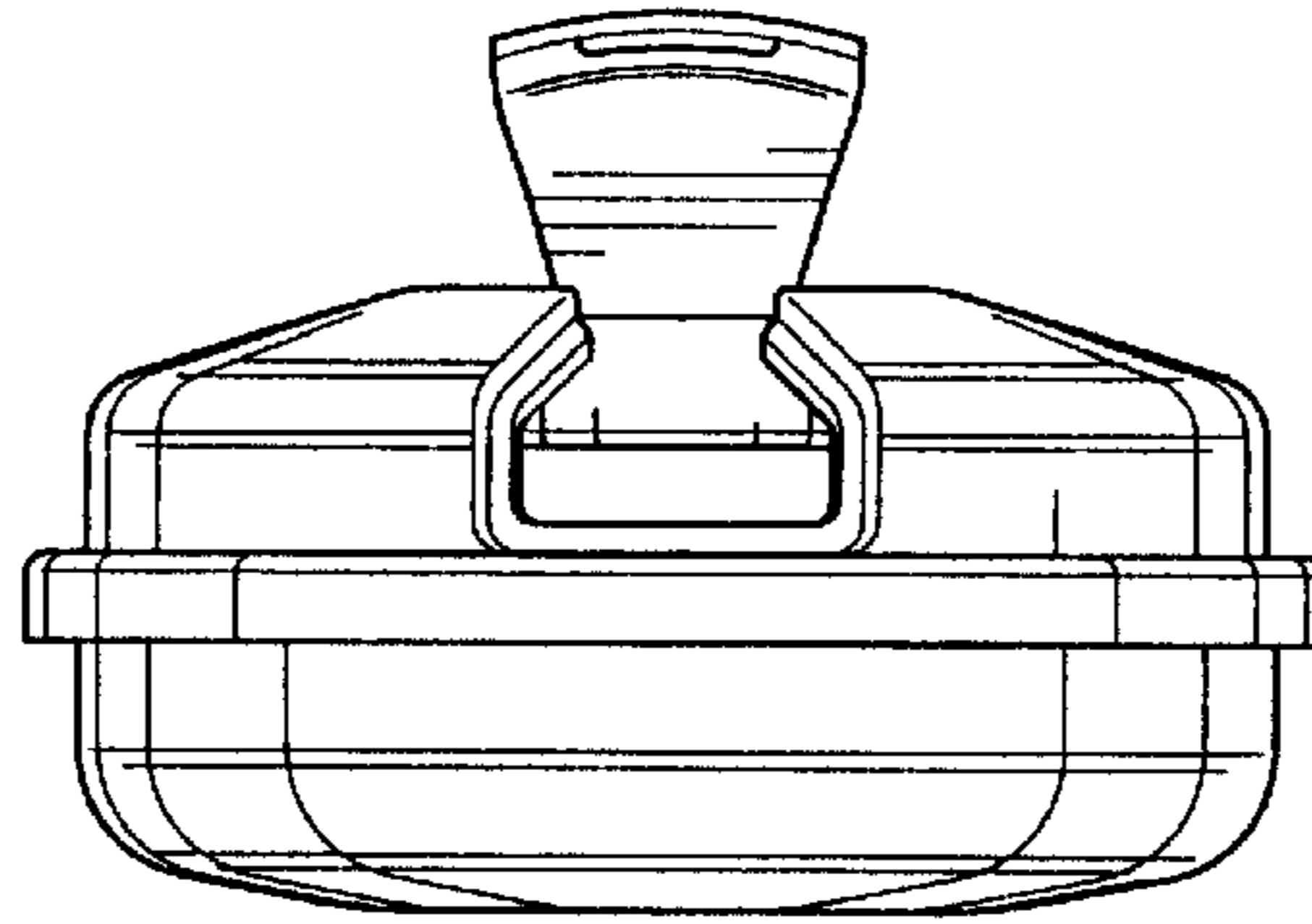


Figure 5

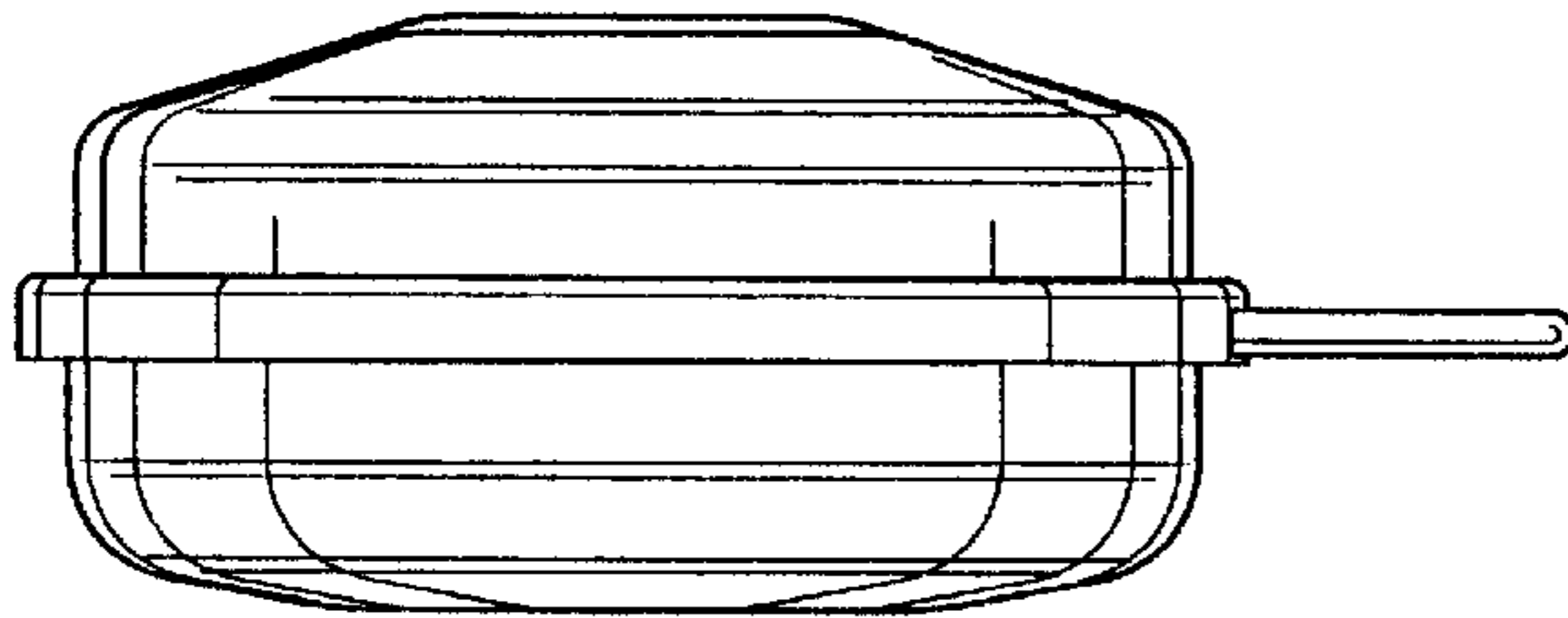


Figure 6

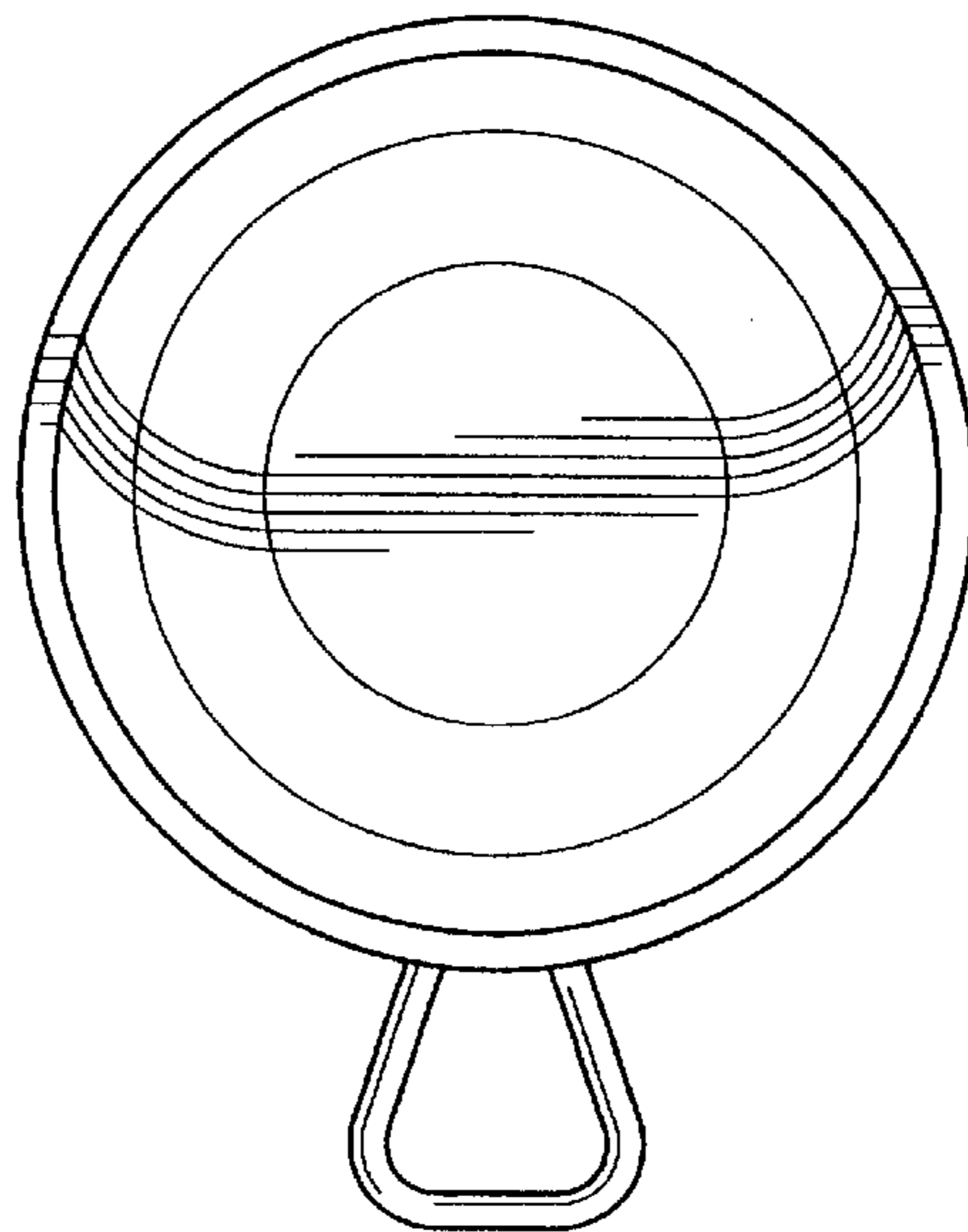


Figure 7