



US00D524151S

(12) **United States Design Patent**  
**Meehan**

(10) **Patent No.:** **US D524,151 S**

(45) **Date of Patent:** **\*\* Jul. 4, 2006**

(54) **STORAGE BOX HAVING A RETENTION PORTION**

D336,242 S \* 6/1993 Detert et al. .... D9/418  
D337,268 S \* 7/1993 Detert et al. .... D9/418

(76) Inventor: **Madeline Meehan**, 111 Piermont St., Quincy, MA (US) 02170

\* cited by examiner

*Primary Examiner*—Stella Reid  
*Assistant Examiner*—Derrick Holland

(\*\*) Term: **14 Years**

(74) *Attorney, Agent, or Firm*—William Nitkin

(21) Appl. No.: **29/243,466**

(57) **CLAIM**

(22) Filed: **Nov. 25, 2005**

The ornamental design for a storage box having a retention portion, as shown and described.

(51) **LOC (8) Cl.** ..... **09-03**

**DESCRIPTION**

(52) **U.S. Cl.** ..... **D9/414**

(58) **Field of Classification Search** ..... D9/414,  
D9/415, 418, 424; D7/553, 553.2, 602, 605;  
206/45.26, 216, 218, 541, 738

FIG. 1 is a rear perspective view of a storage box having a retention portion, showing my new design;  
FIG. 2 is a top plan view thereof;  
FIG. 3 is a bottom plan view thereof;  
FIG. 4 is a left end view thereof;  
FIG. 5 is a right end view thereof;  
FIG. 6 is a right side view thereof; and,  
FIG. 7 is a left side view thereof.

See application file for complete search history.

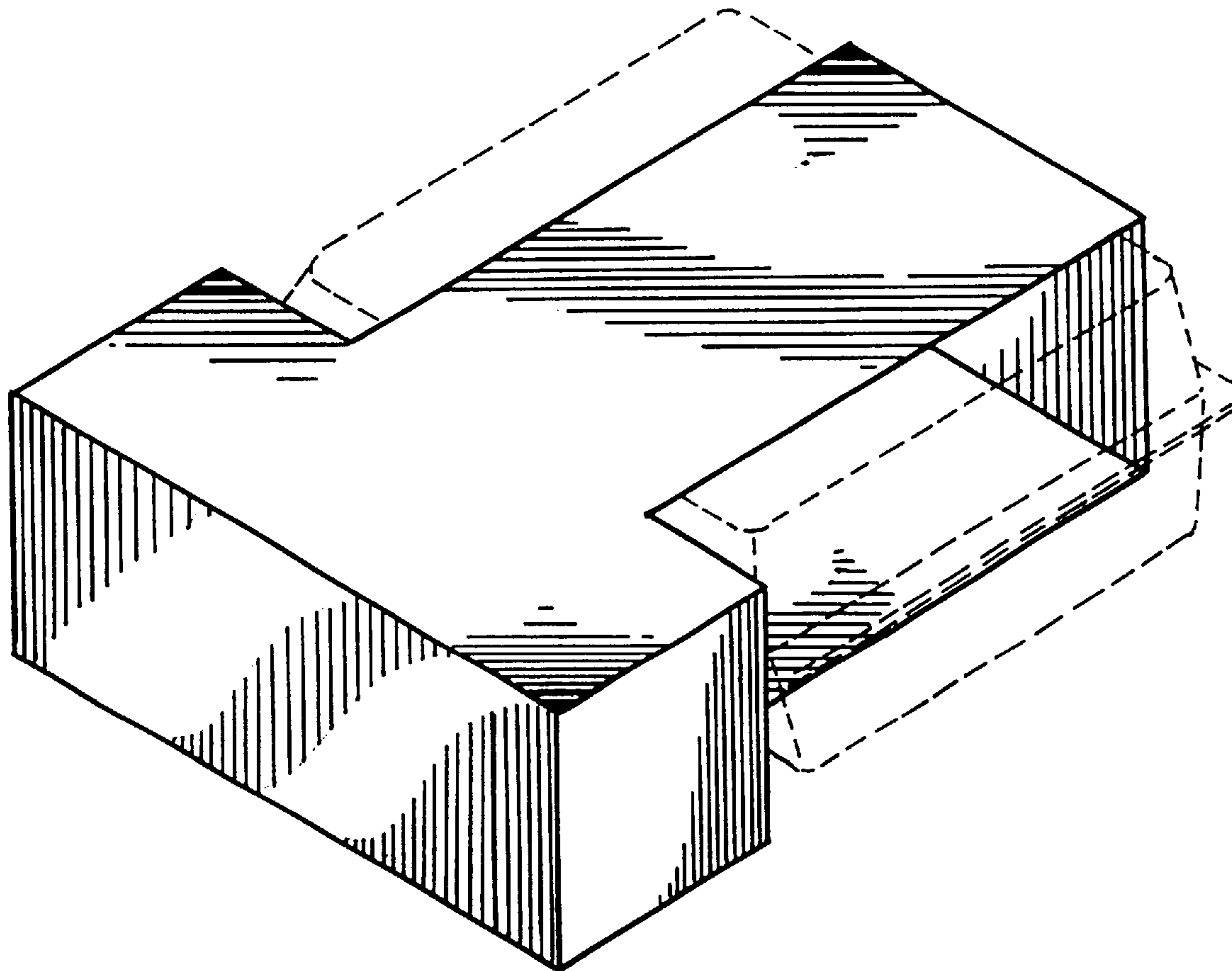
The broken lines showing is for illustrative purposes only and forms no part of the claimed design.

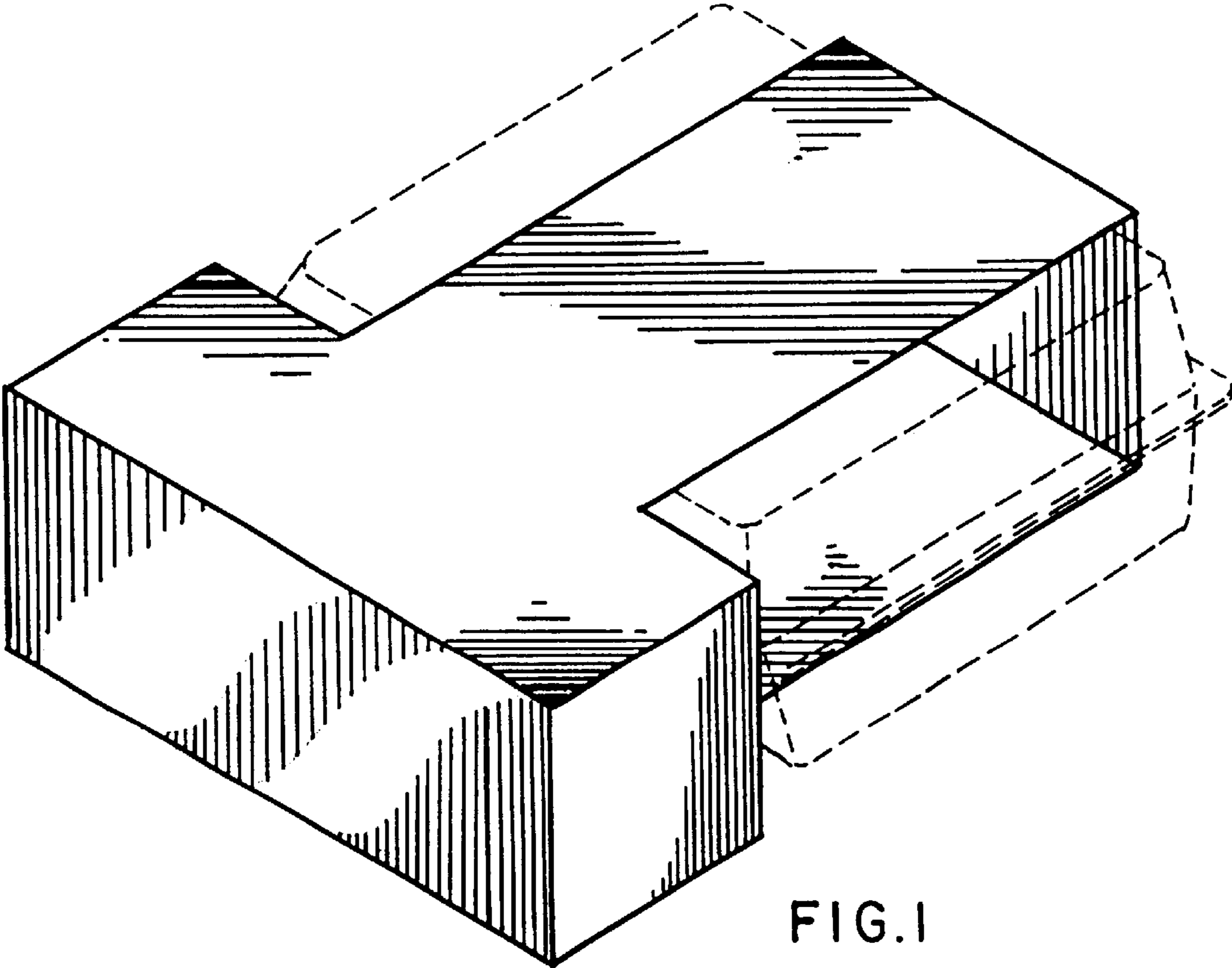
(56) **References Cited**

**U.S. PATENT DOCUMENTS**

5,119,940 A \* 6/1992 Grindrod ..... 426/120  
D335,445 S \* 5/1993 Detert et al. .... D9/418  
D335,821 S \* 5/1993 Detert et al. .... D9/418  
D336,241 S \* 6/1993 Detert et al. .... D9/418

**1 Claim, 4 Drawing Sheets**





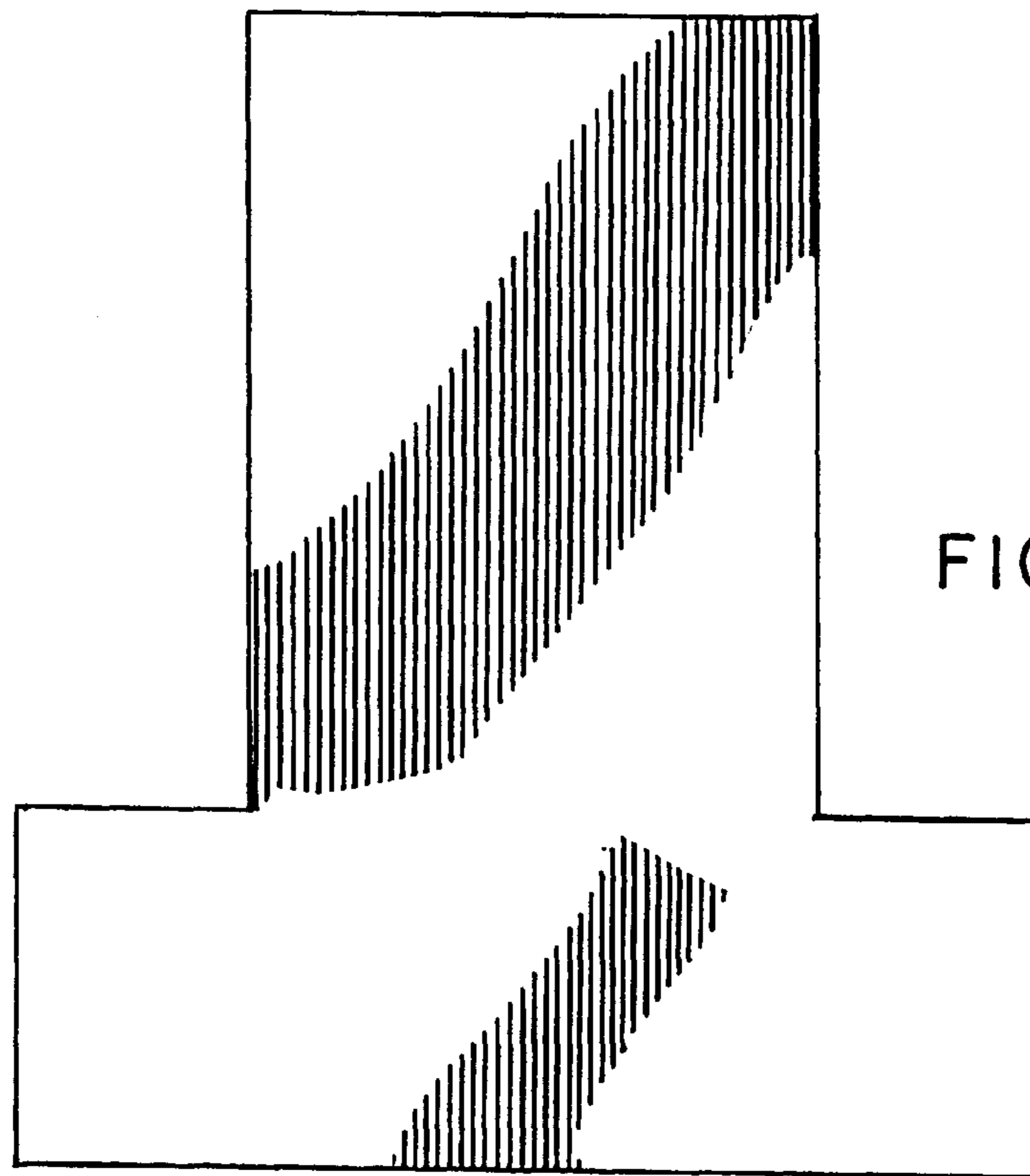


FIG. 2

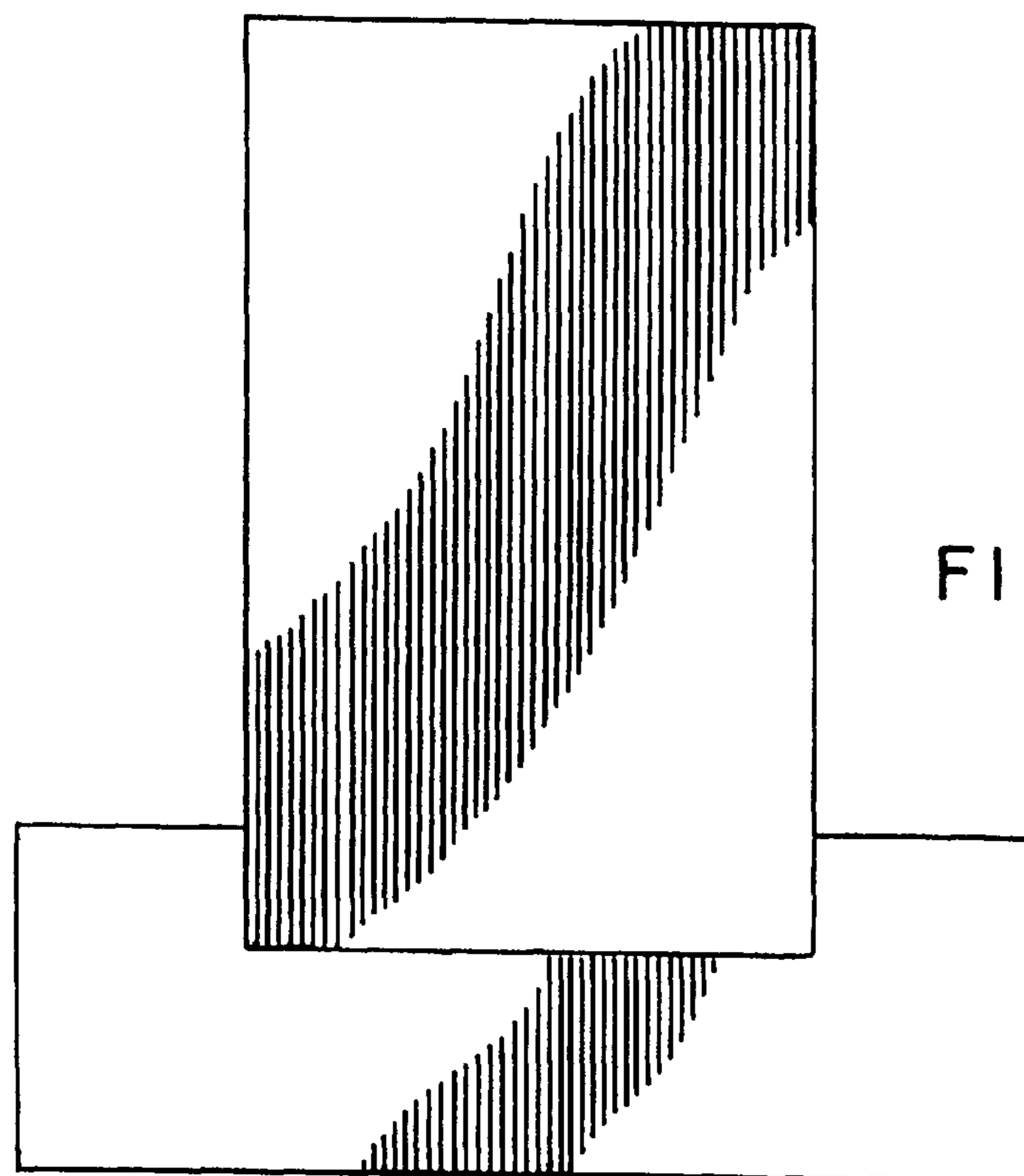


FIG. 3

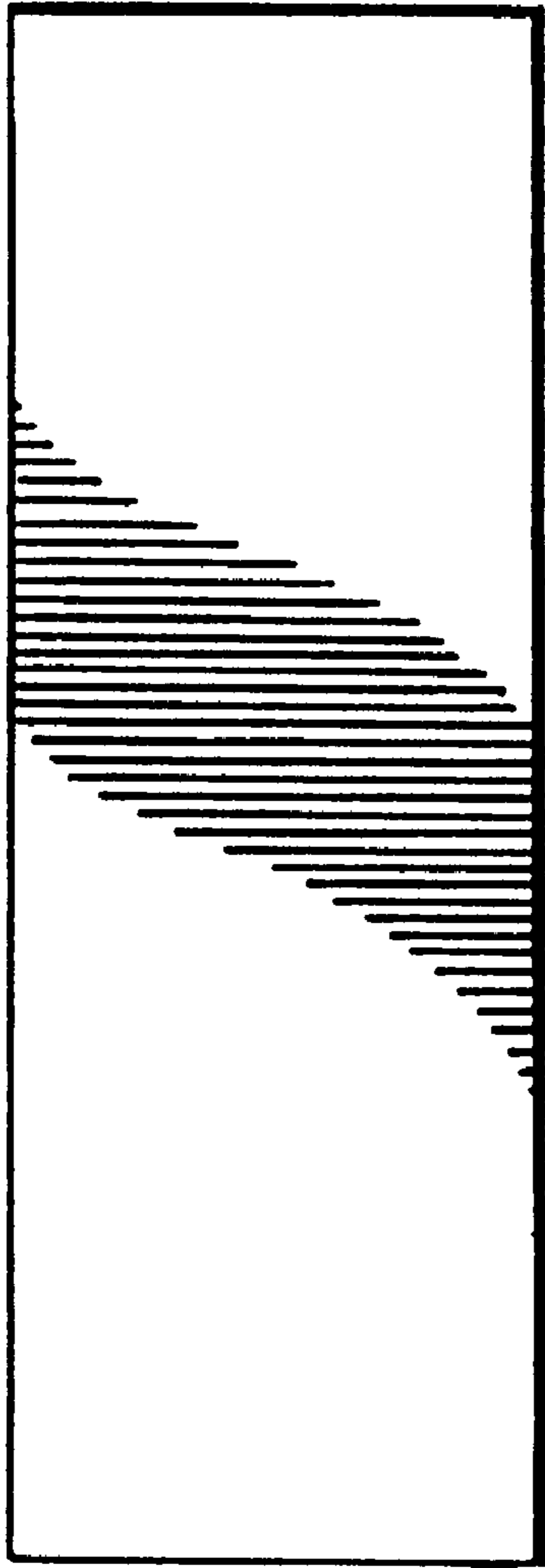


FIG. 4

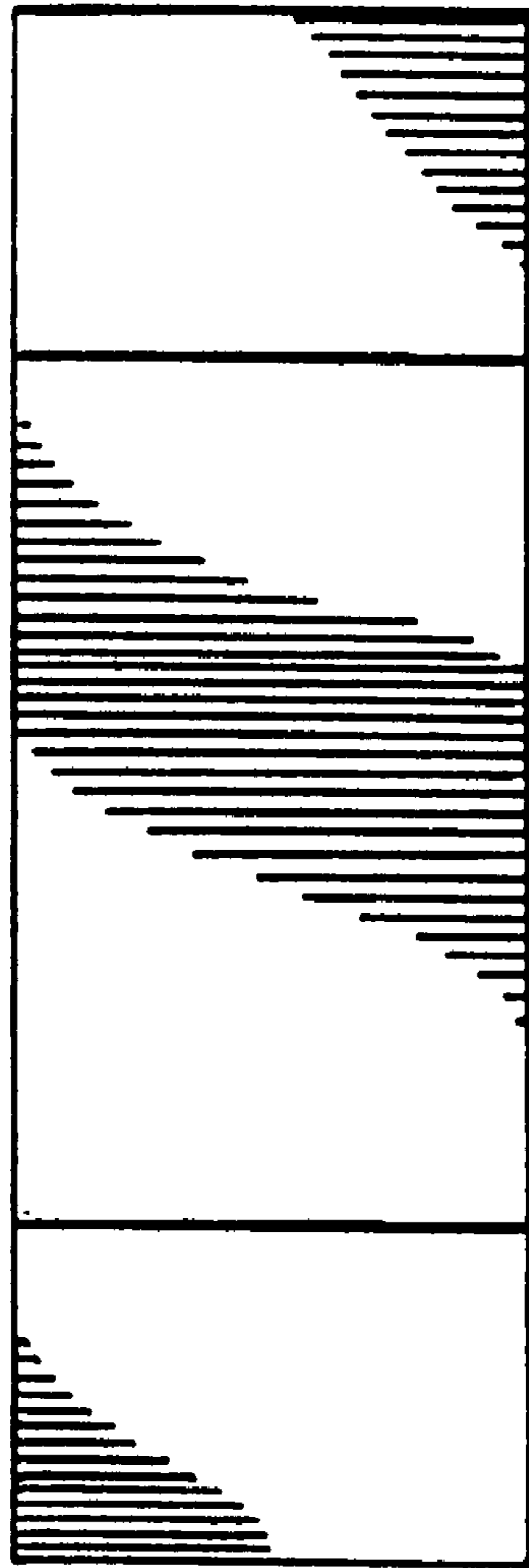


FIG. 5

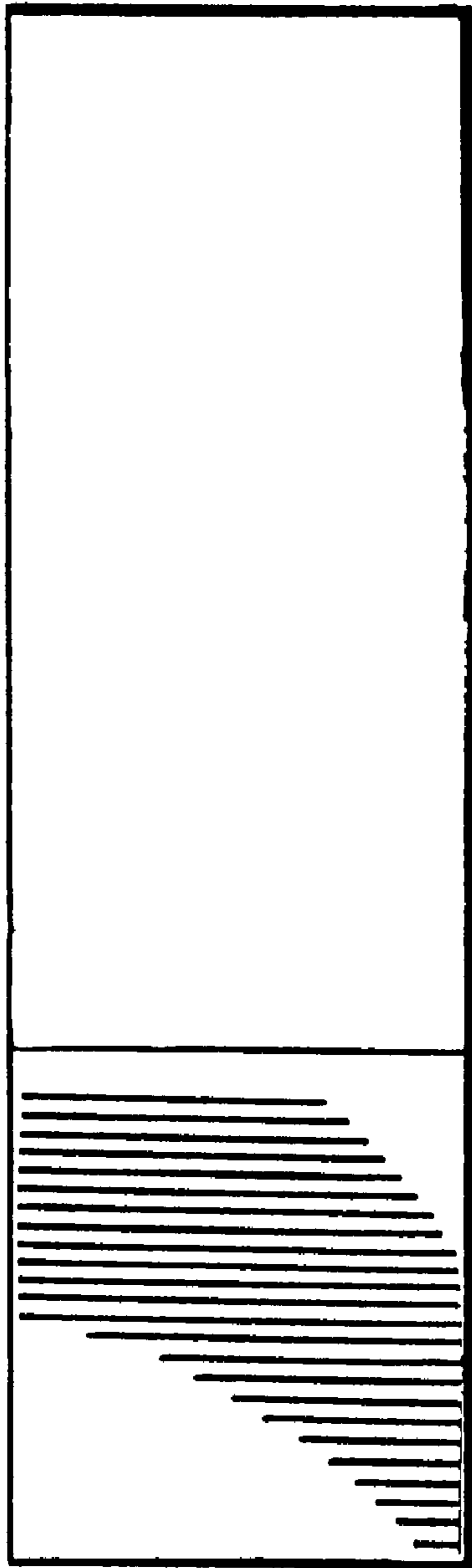


FIG. 6

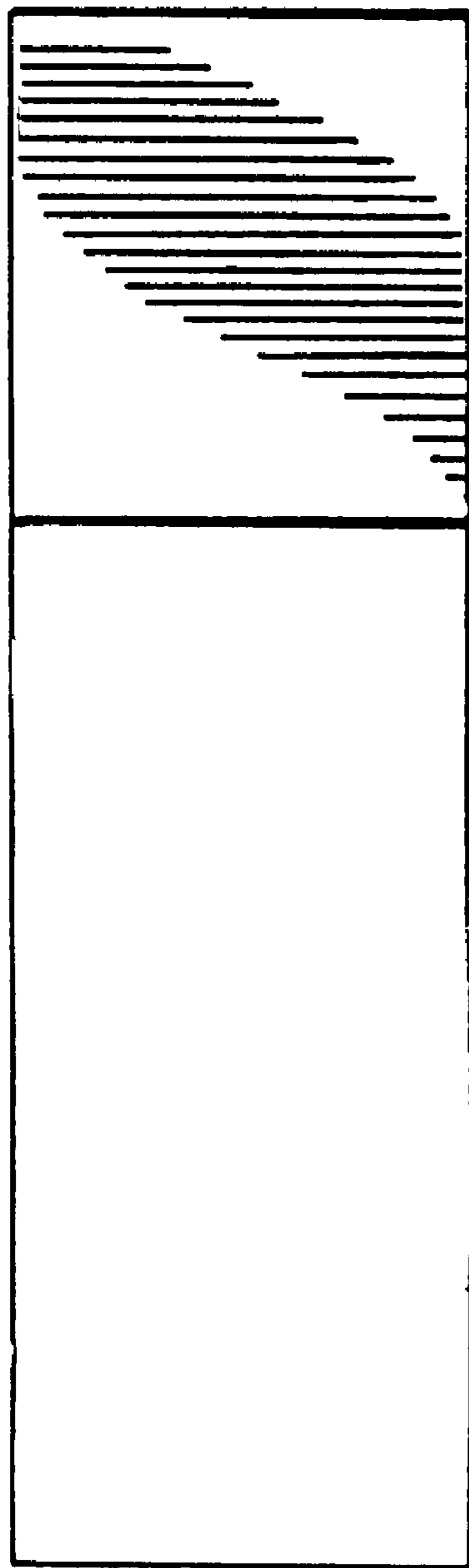


FIG. 7