



US00D524150S

(12) **United States Design Patent**
Stein et al.

(10) **Patent No.:** **US D524,150 S**

(45) **Date of Patent:** **** Jul. 4, 2006**

(54) **HOLDER FOR AN INFORMATION MARKER**

6,264,075 B1 * 7/2001 Gouldson et al. 223/85
6,499,634 B1 * 12/2002 Olk et al. 223/85

(75) Inventors: **Ellen Stein**, New City, NY (US); **Tom Chung**, Kowloon (HK)

* cited by examiner

(73) Assignee: **Randy Hangers, LLC**, East Rutherford, NJ (US)

Primary Examiner—Nanda Bondade

Assistant Examiner—Shanda C. Hill

(**) Term: **14 Years**

(74) *Attorney, Agent, or Firm*—Katten Muchin Rosenman LLP

(21) Appl. No.: **29/197,087**

(57) **CLAIM**

(22) Filed: **Jan. 9, 2004**

The ornamental design for a holder for an information marker, as shown and described.

(51) **LOC (8) Cl.** **06-08**

DESCRIPTION

(52) **U.S. Cl.** **D9/328**

(58) **Field of Classification Search** D6/328,
D6/315, 318, 323, 325; D8/395; D32/64;
D20/22, 27, 28, 42; 40/322; 223/85, 88, 90,
223/91, 93, 96

FIG. 1 is a perspective view of a holder for an information marker showing our new design;

FIG. 2 is a rear elevational view thereof; the front elevational view being a mirror image thereto;

FIG. 3 is a left side elevational view thereof;

FIG. 4 is a top plan view thereof;

FIG. 5 is a rear elevational view thereof, shown in condition of use;

FIG. 6 is an enlarged rear elevational view of FIG. 2;

FIG. 7 is an enlarged perspective view of FIG. 1;

FIG. 8 is an enlarged left side elevational view of FIG. 3;

FIG. 9 is an enlarged top plan view of FIG. 4; and,

FIG. 10 is an enlarged rear elevational view FIG. 5.

The broken lines shown in the drawing disclosure are for illustrative purposes only and form no part of the claimed design.

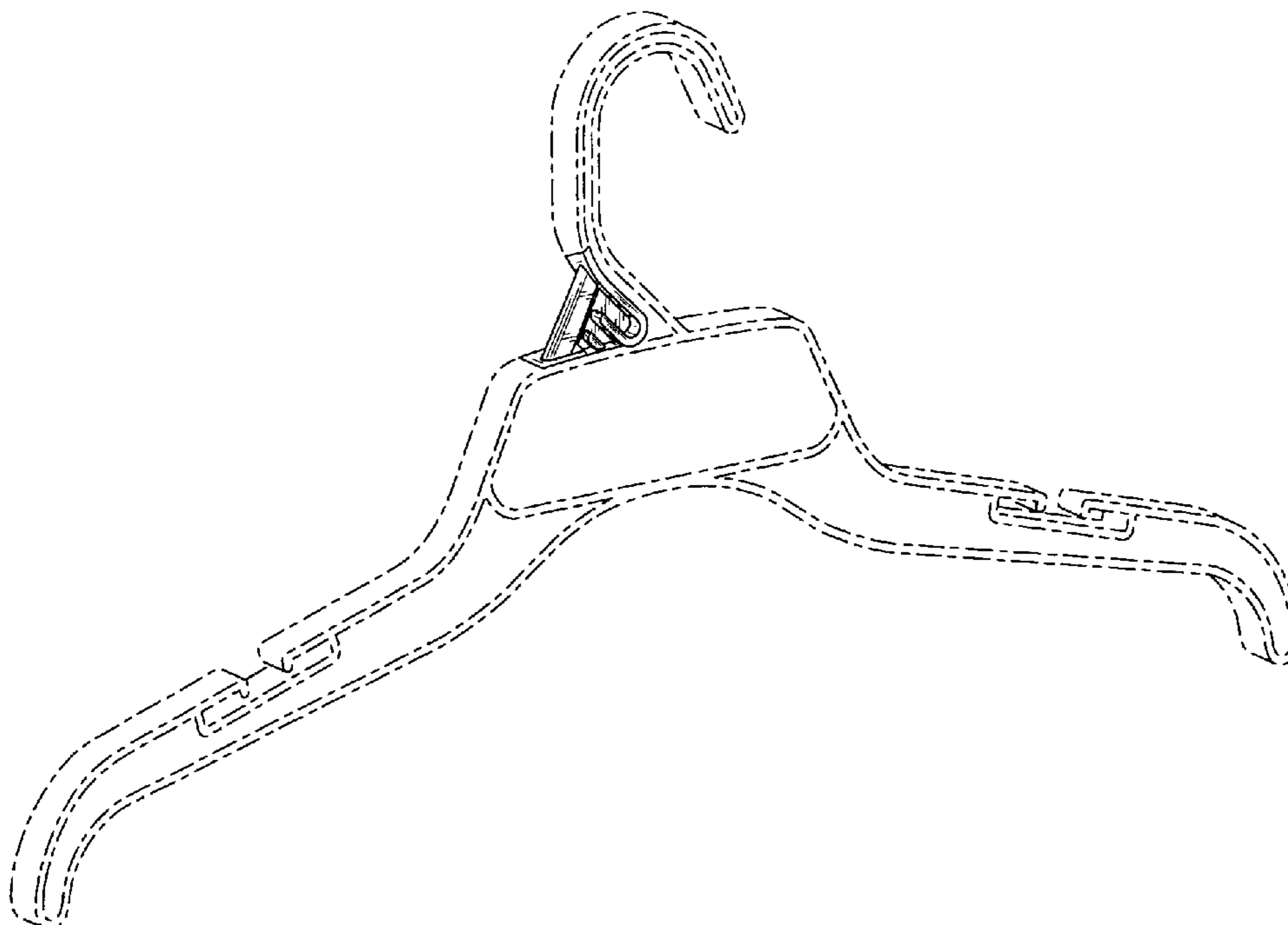
See application file for complete search history.

(56) **References Cited**

U.S. PATENT DOCUMENTS

4,115,940	A	*	9/1978	Phillips	40/322
5,135,141	A	*	8/1992	Harmer et al.	223/85
5,383,583	A	*	1/1995	Zuckerman	223/85
5,449,099	A	*	9/1995	Blanchard	223/85
5,469,995	A	*	11/1995	Bredeweg et al.	223/85
5,485,943	A	*	1/1996	Zuckerman	223/85
5,611,469	A	*	3/1997	Eiley et al.	223/85
5,642,840	A	*	7/1997	Abdi	223/85
6,145,713	A	*	11/2000	Zuckerman	223/85

1 Claim, 10 Drawing Sheets



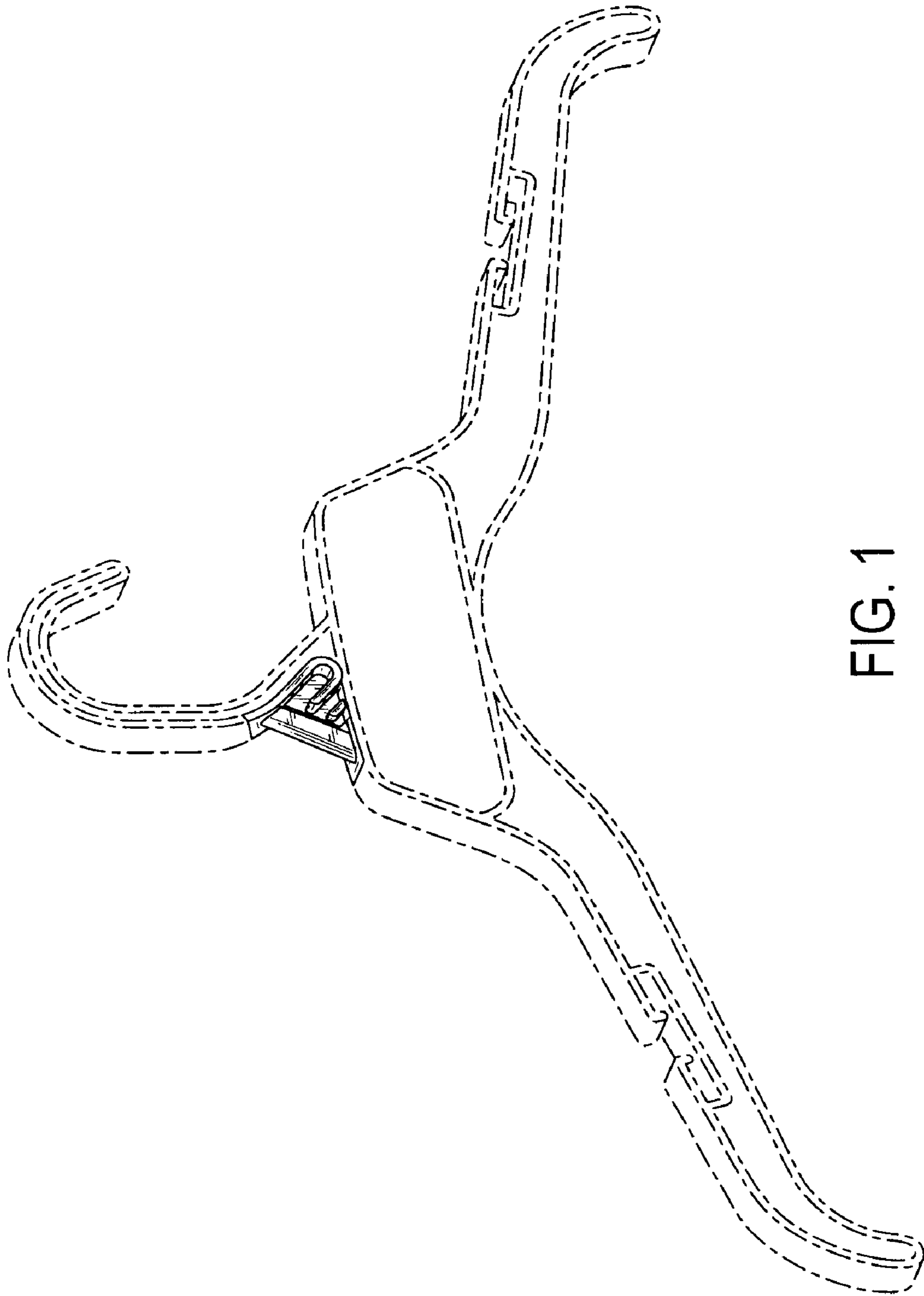


FIG. 1

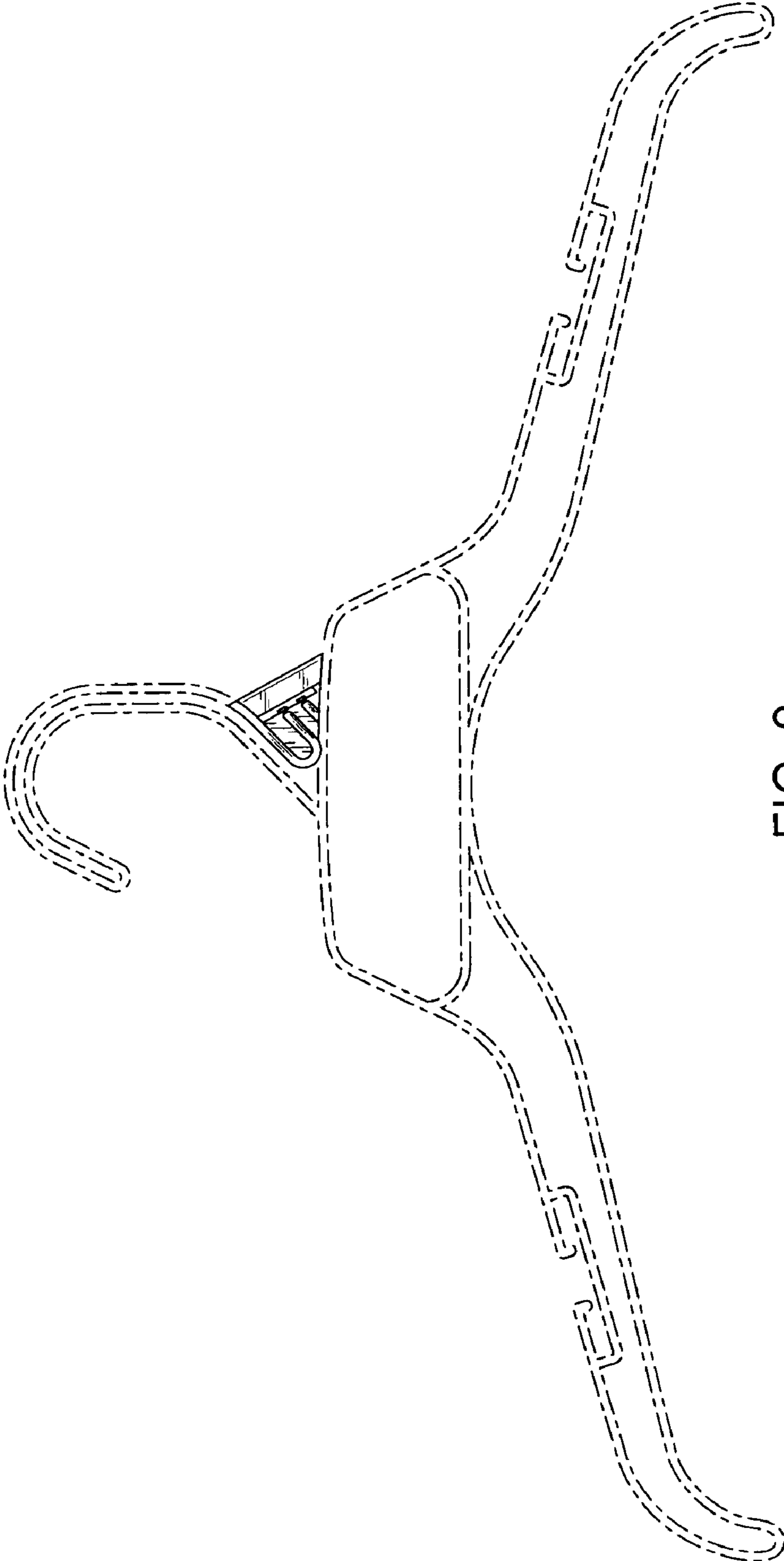


FIG. 2



FIG. 3



FIG. 4

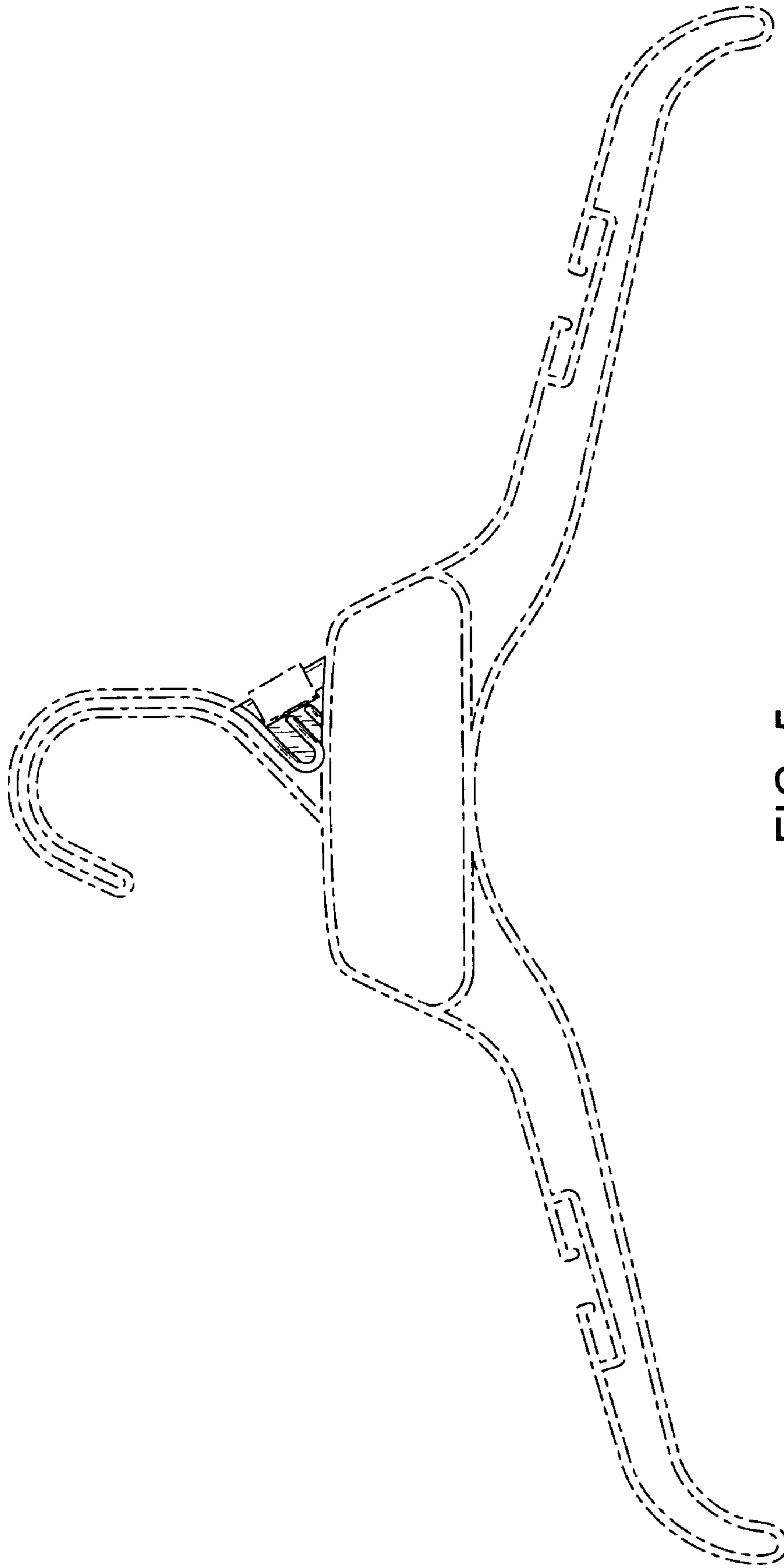


FIG. 5

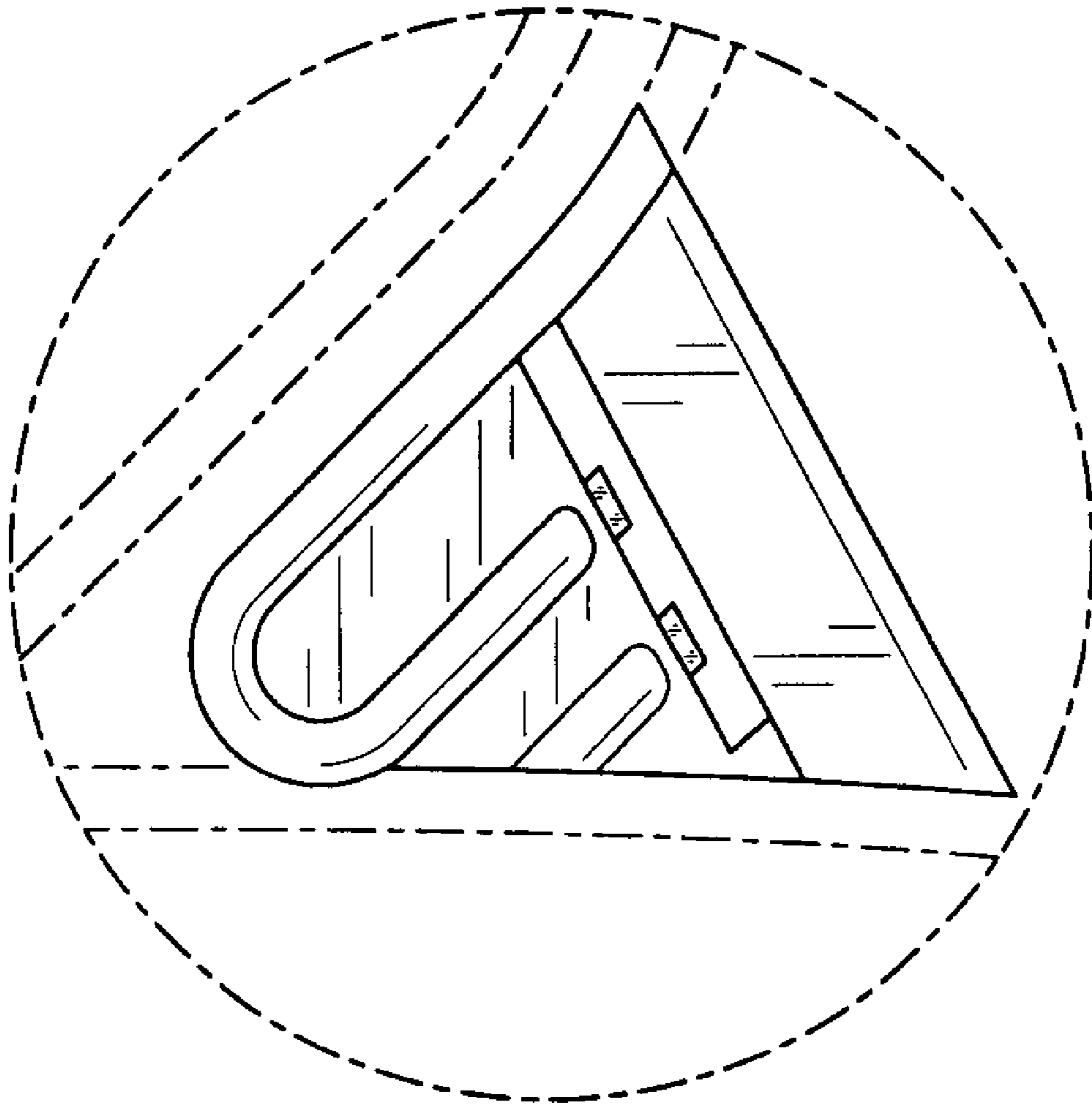


FIG. 6

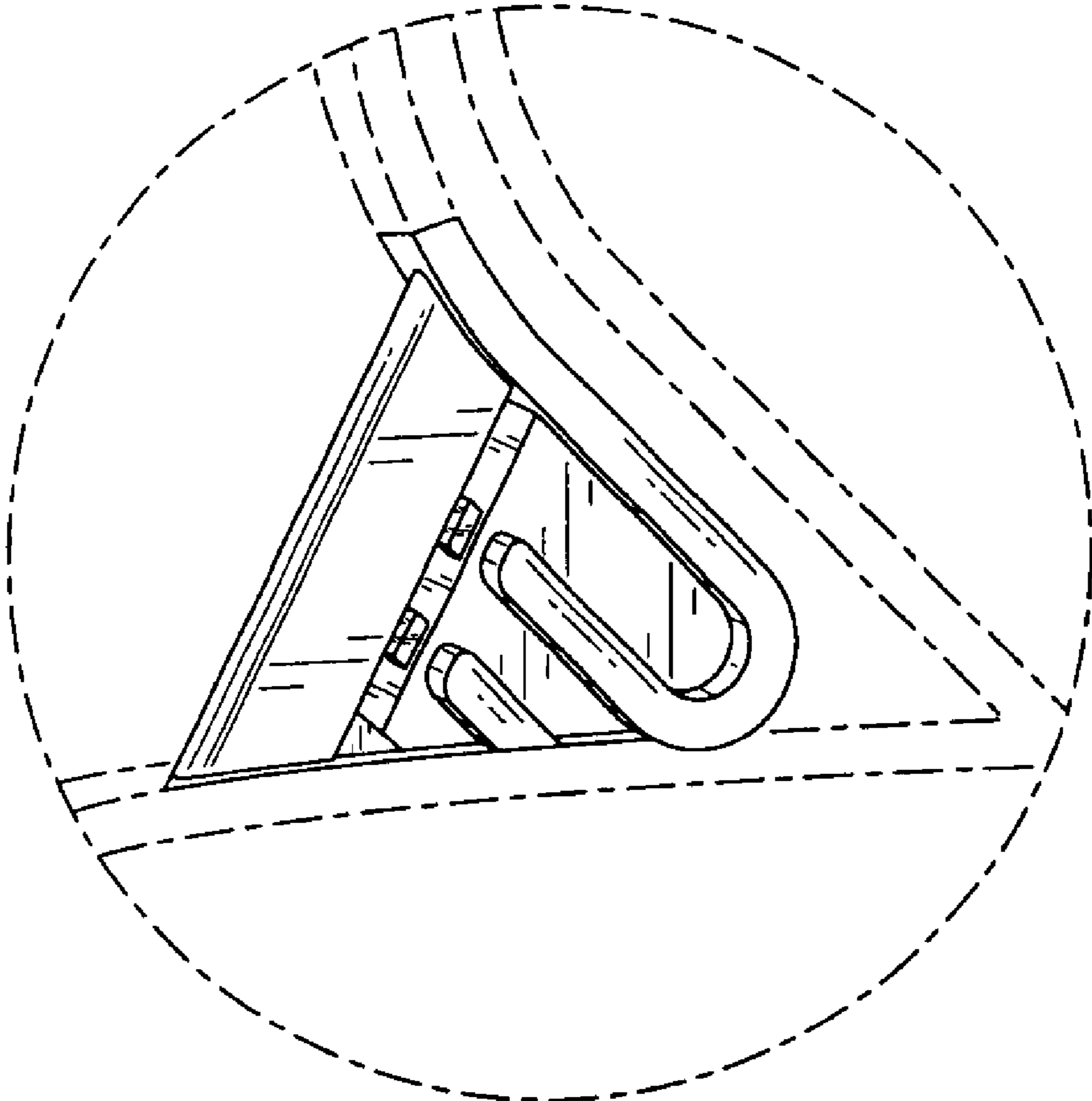


FIG. 7

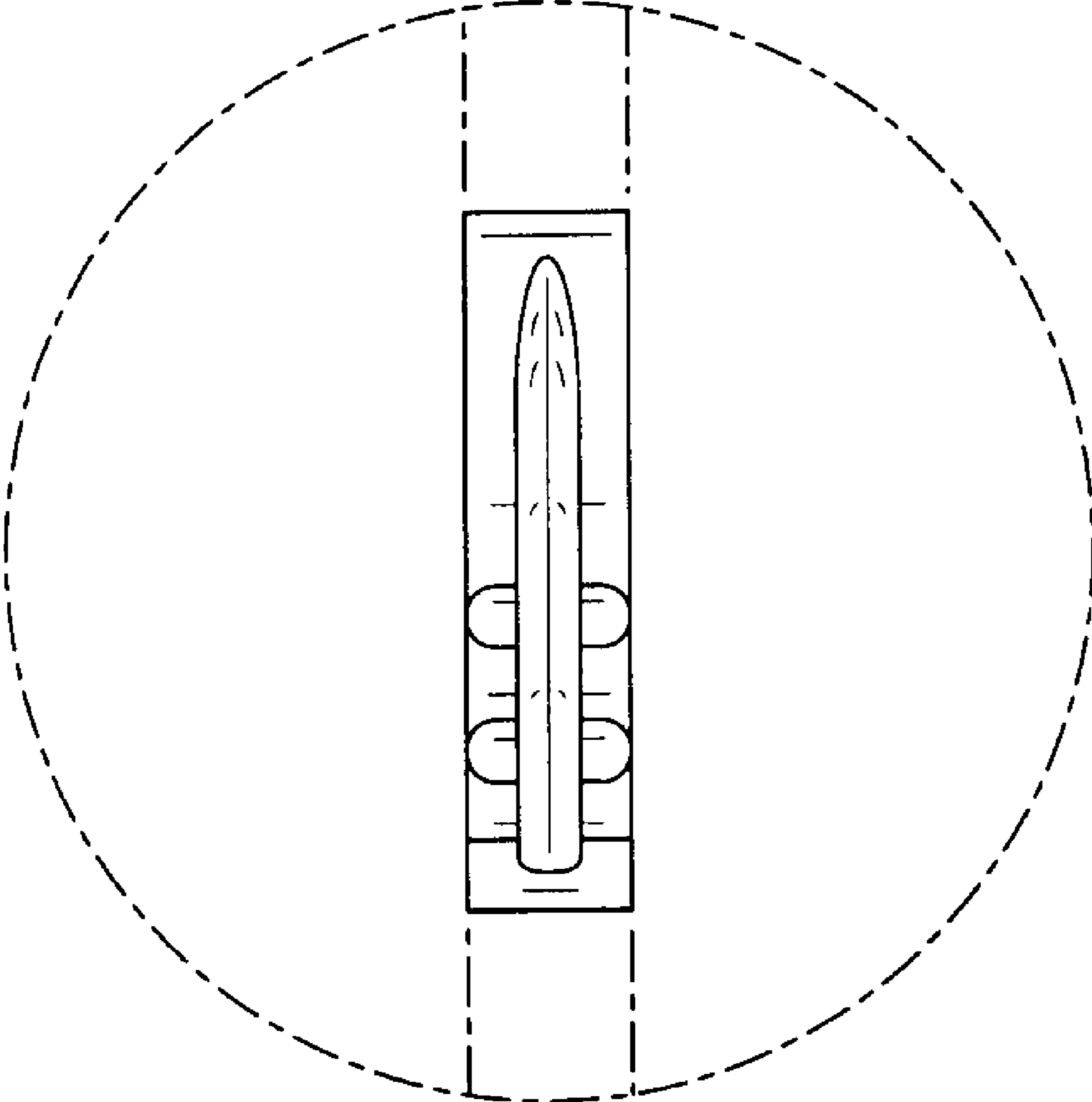


FIG. 8

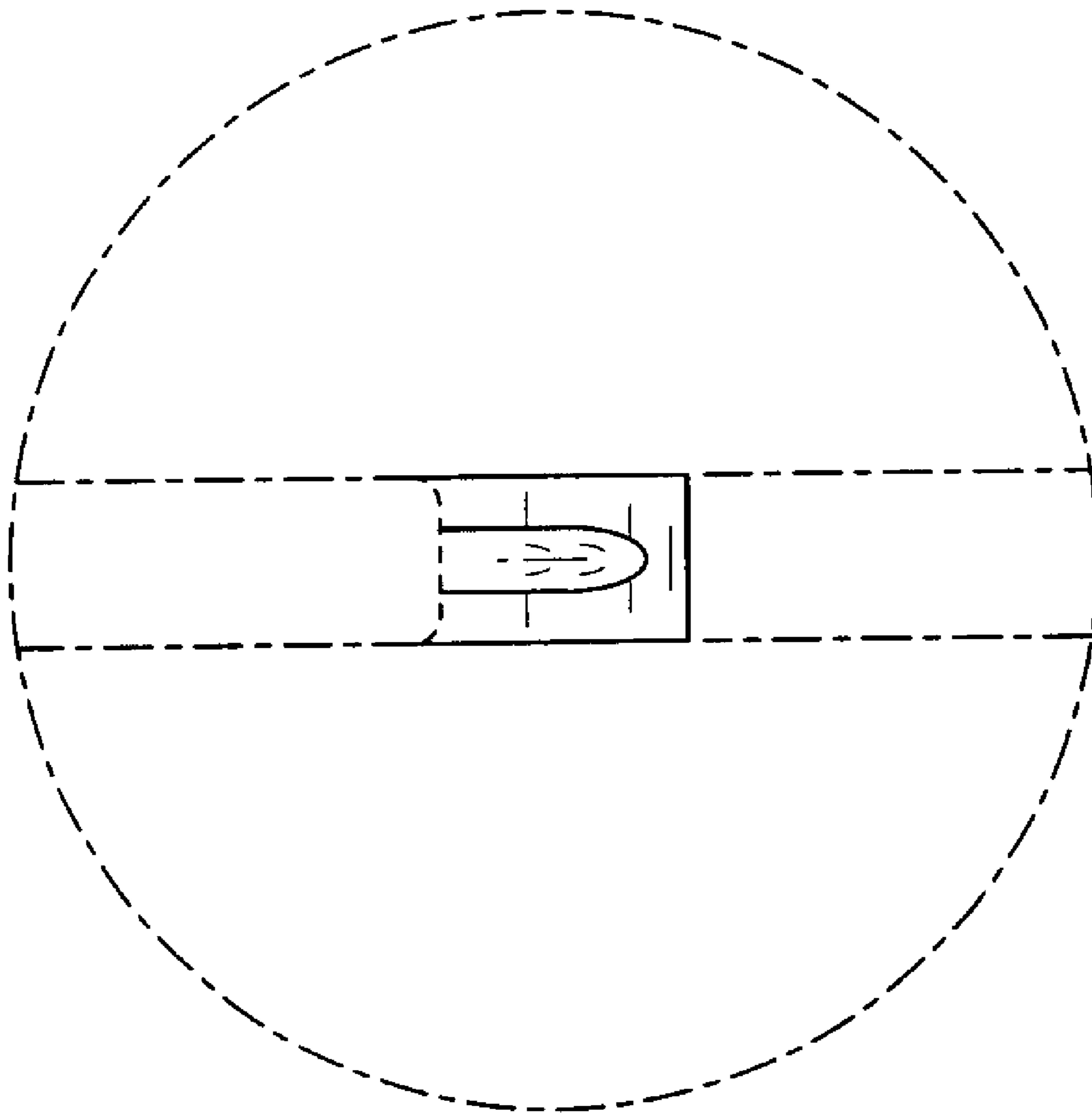


FIG. 9

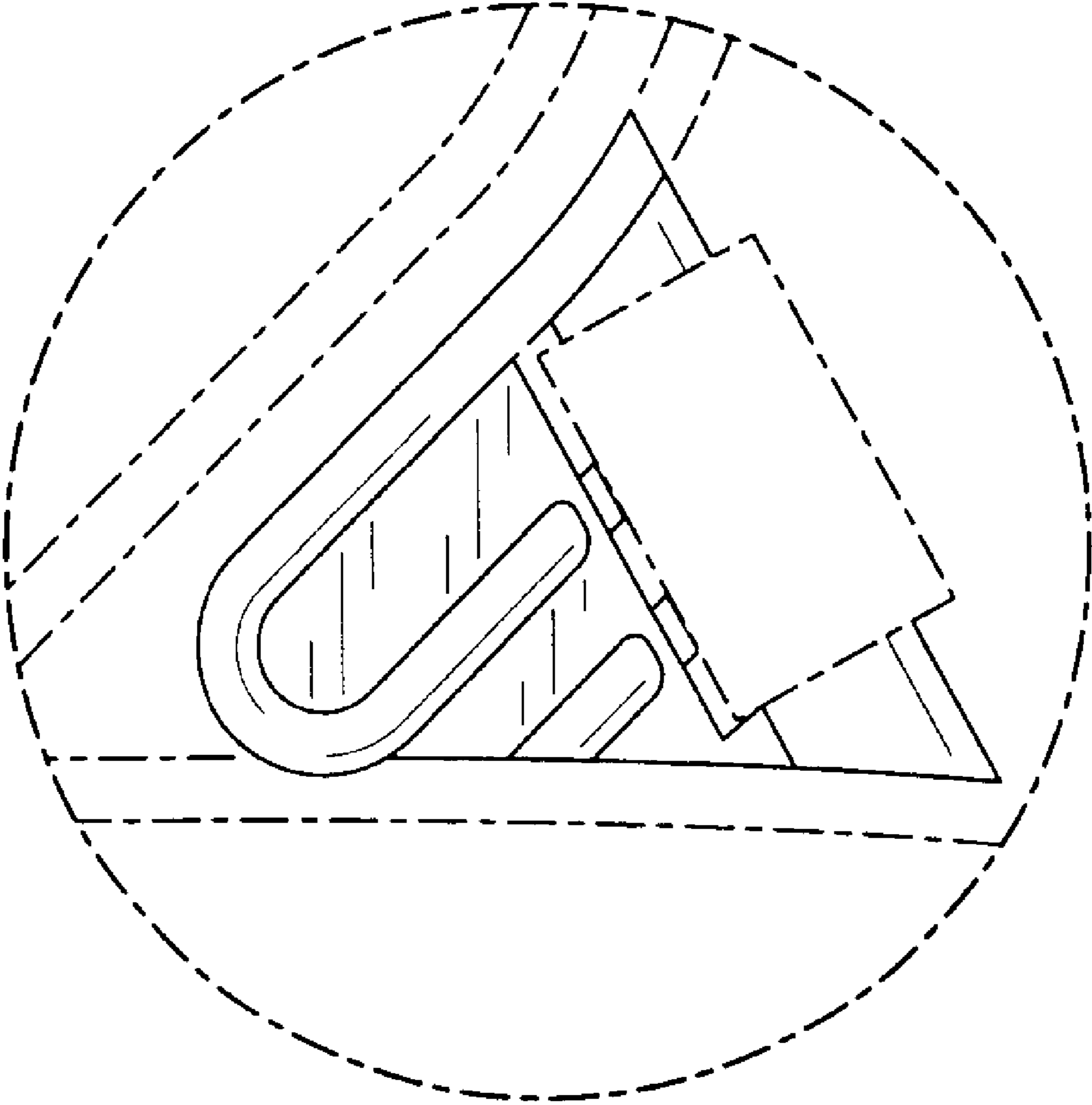


FIG. 10