



US00D524149S

(12) **United States Design Patent**  
**Kim**

(10) **Patent No.:** **US D524,149 S**

(45) **Date of Patent:** **\*\* Jul. 4, 2006**

(54) **BALL JOINT**

(76) Inventor: **Bong-Uk Kim**, 1103-802 Joogsan macul, 1575-4 IIsan 2-dong, IIsan-gu, Goyang-si, Kyunggi-do (KR)

(\*\*) Term: **14 Years**

(21) Appl. No.: **29/226,433**

(22) Filed: **Mar. 30, 2005**

(30) **Foreign Application Priority Data**

Feb. 2, 2005 (KR) ..... 30-2005-0003648

(51) **LOC (8) Cl.** ..... **08-08**

(52) **U.S. Cl.** ..... **D8/397**

(58) **Field of Classification Search** ..... D8/382, D8/387, 397, 398, 399; 411/81, 98, 103, 411/106, 145, 146, 172, 179, 197, 204, 248, 411/337, 338, 368, 371.2, 372.5, 418, 427, 411/429, 430, 431, 432, 436, 437, 500, 511, 411/512, 514, 531, 532, 533, 535, 536, 537, 411/538, 542, 544, 918, 526, 928; 70/229; 301/35.623, 111.01; 267/159; 269/32, 137  
See application file for complete search history.

(56) **References Cited**

**U.S. PATENT DOCUMENTS**

158,259 A \* 12/1874 Dulin ..... 411/437  
906,476 A \* 12/1908 Ullman ..... 411/197  
1,029,775 A \* 6/1912 Tobin ..... 411/204  
2,083,045 A \* 6/1937 Vaurs ..... 411/204  
2,084,985 A \* 6/1937 Bill ..... 411/197  
2,316,690 A \* 4/1943 Healy ..... 411/427  
3,004,776 A \* 10/1961 Sebardt ..... 411/542

3,009,722 A \* 11/1961 Augustin ..... 411/542  
3,106,413 A \* 10/1963 Hamlin et al. .... 411/542  
D311,131 S \* 10/1990 Saito ..... D8/397  
5,165,731 A \* 11/1992 Kimuta ..... 411/542  
5,240,361 A \* 8/1993 Armstrong et al. .... 411/535  
5,364,214 A \* 11/1994 Fazekas ..... 411/536  
5,584,410 A \* 12/1996 Siblik ..... 411/145  
5,664,921 A \* 9/1997 Leslie ..... 411/427  
D452,429 S \* 12/2001 Shinjo et al. .... D8/397  
6,669,422 B1 \* 12/2003 Sterle ..... 411/535  
2004/0213646 A1 \* 10/2004 Jakuszeski et al. .... 411/544

\* cited by examiner

*Primary Examiner*—Gary D. Watson

*Assistant Examiner*—T. Chase Nelson

(74) *Attorney, Agent, or Firm*—John K. Park; Park Law Firm

(57) **CLAIM**

The ornamental design for a ball joint, as shown and described.

**DESCRIPTION**

FIG. 1 is a perspective view of my new design; FIG. 2 is another perspective view thereof; FIG. 3 is a side elevational view thereof, the opposite side being a mirror image; FIG. 4 is another side elevational view thereof, the opposite side being a mirror image; FIG. 5 is a top plan view thereof; and, FIG. 6 is a bottom plan view thereof. The broken lines showing of FIGS. 1–6 are for illustrative purposes only and therefore establish no part of the claimed design.

**1 Claim, 3 Drawing Sheets**

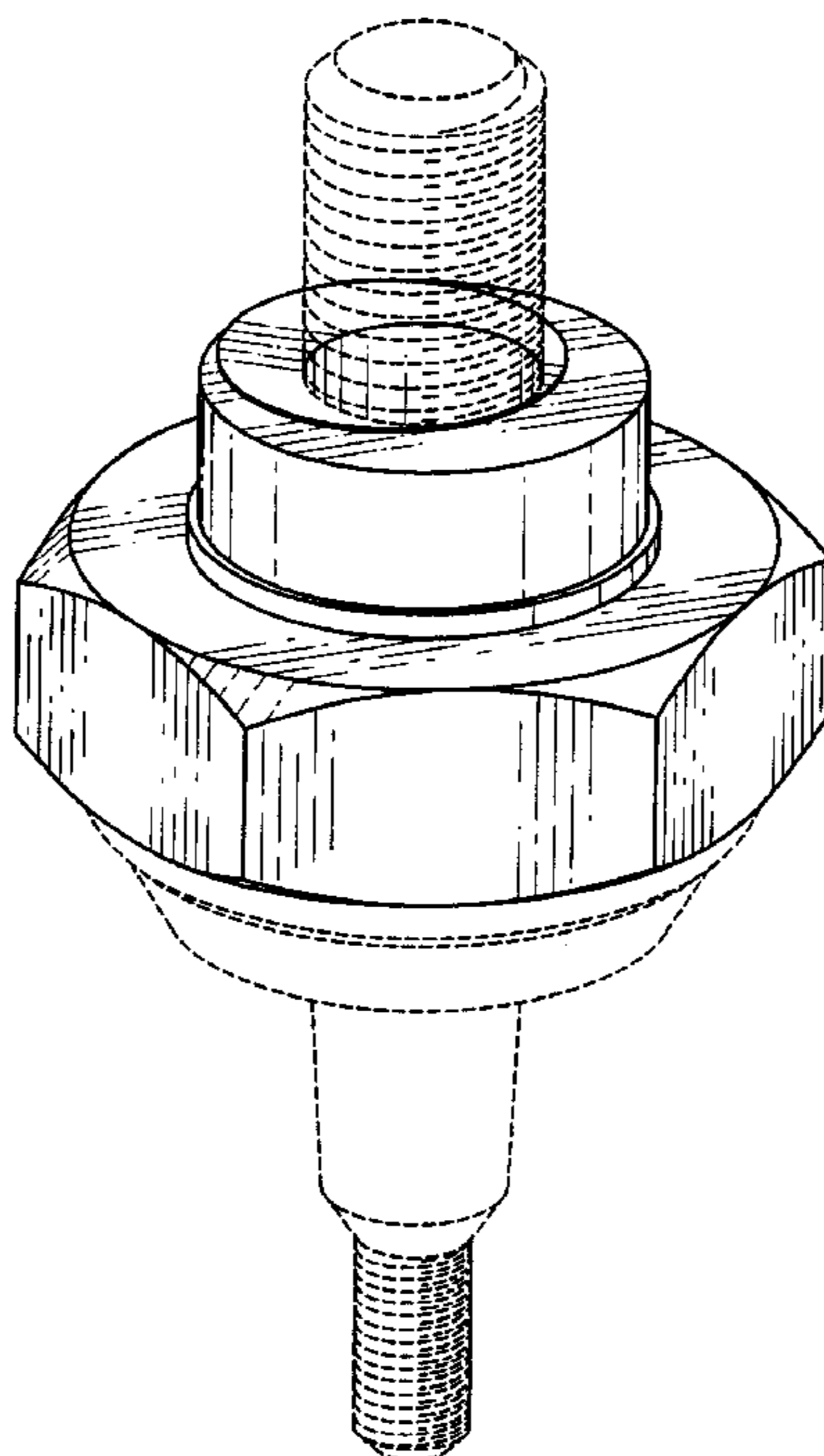


FIG. 1

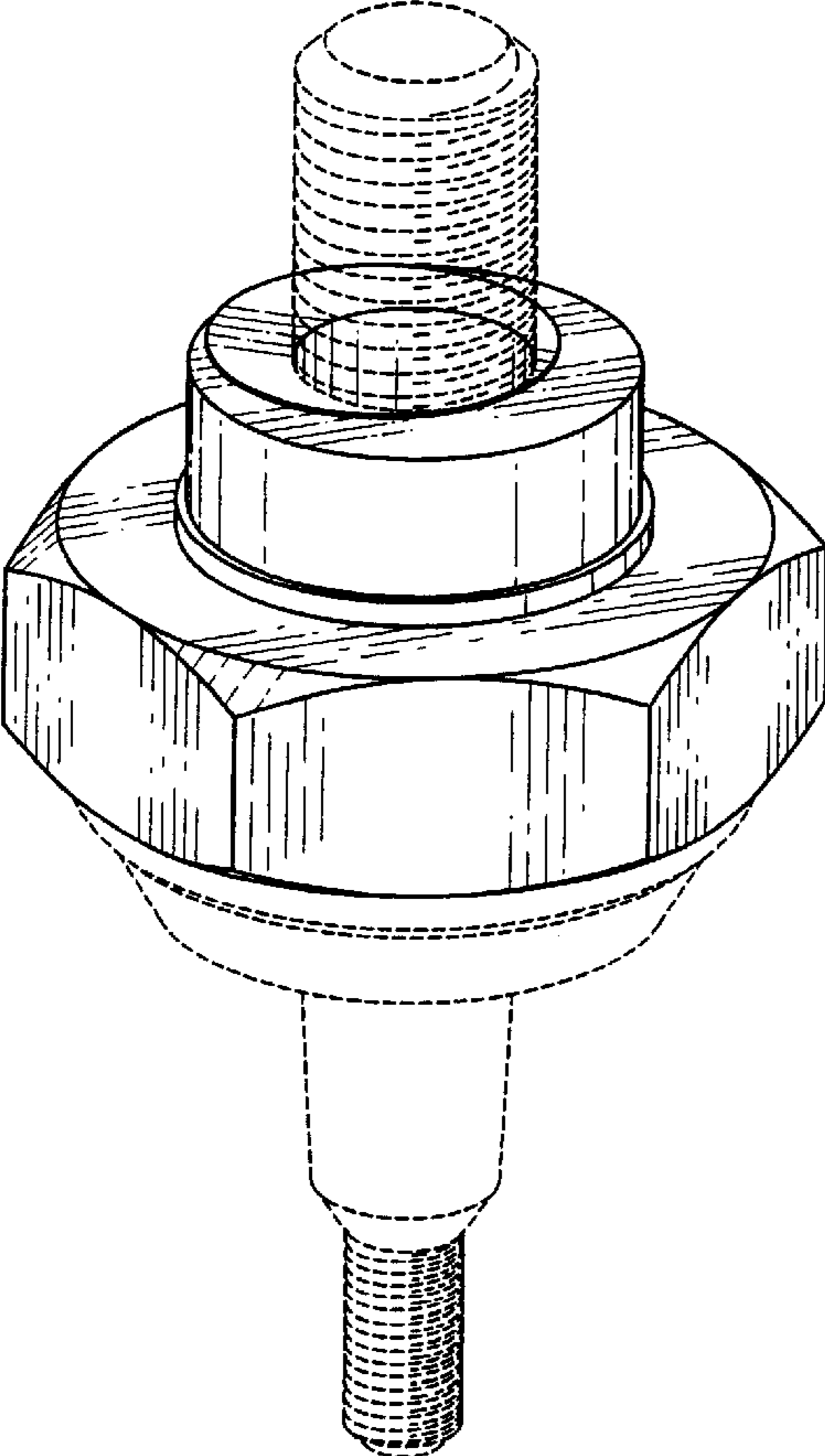


FIG. 2

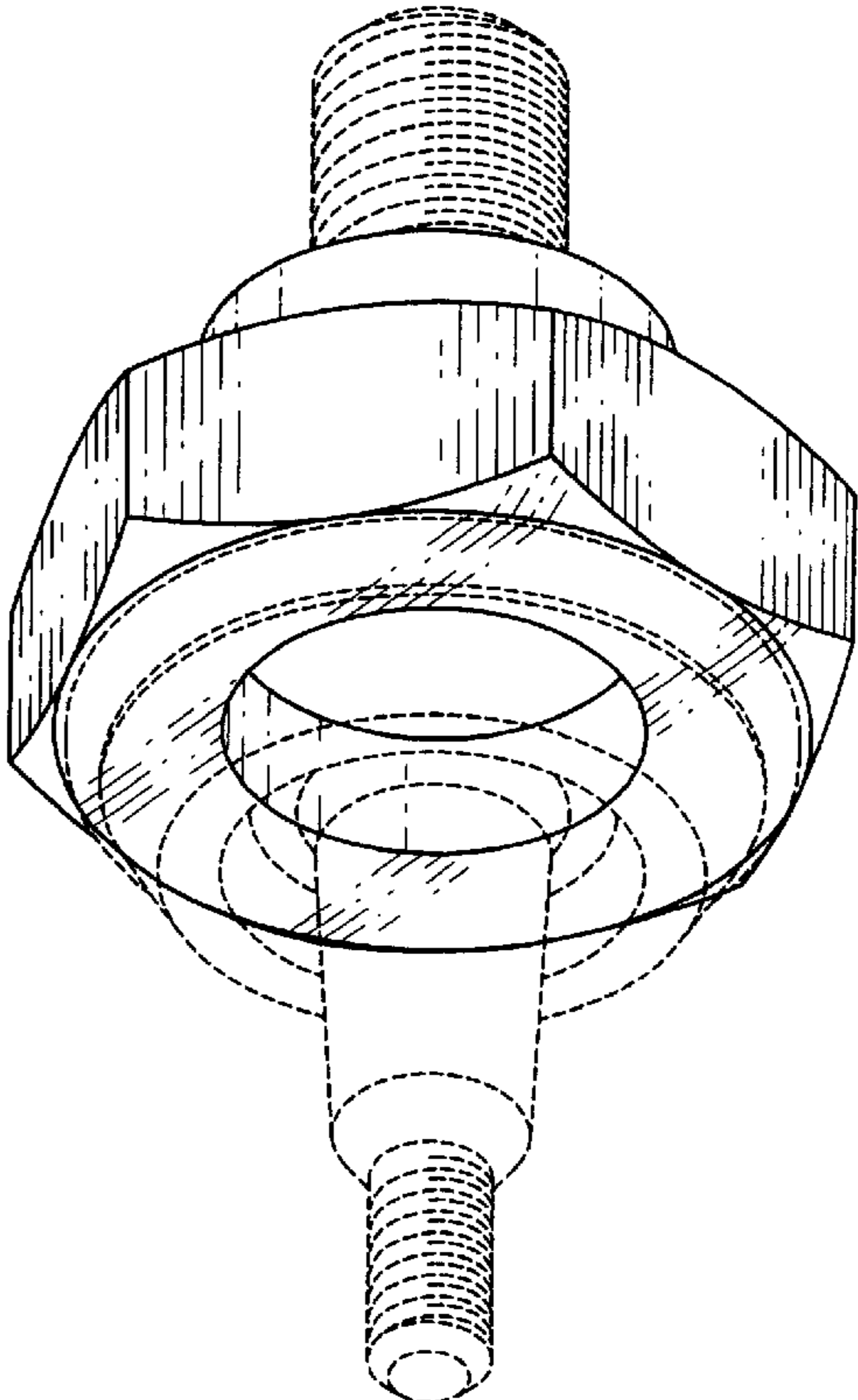


FIG. 3

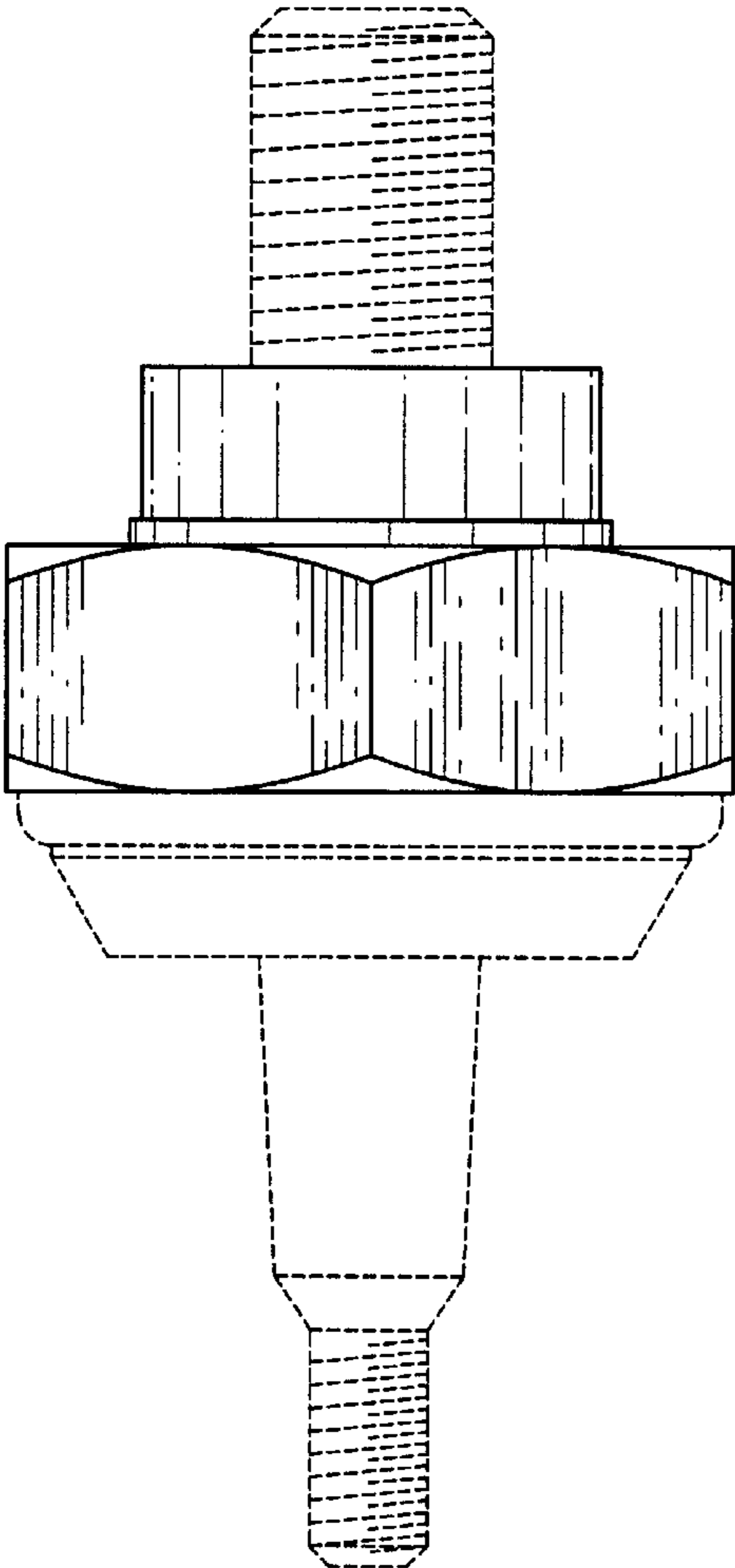


FIG. 4

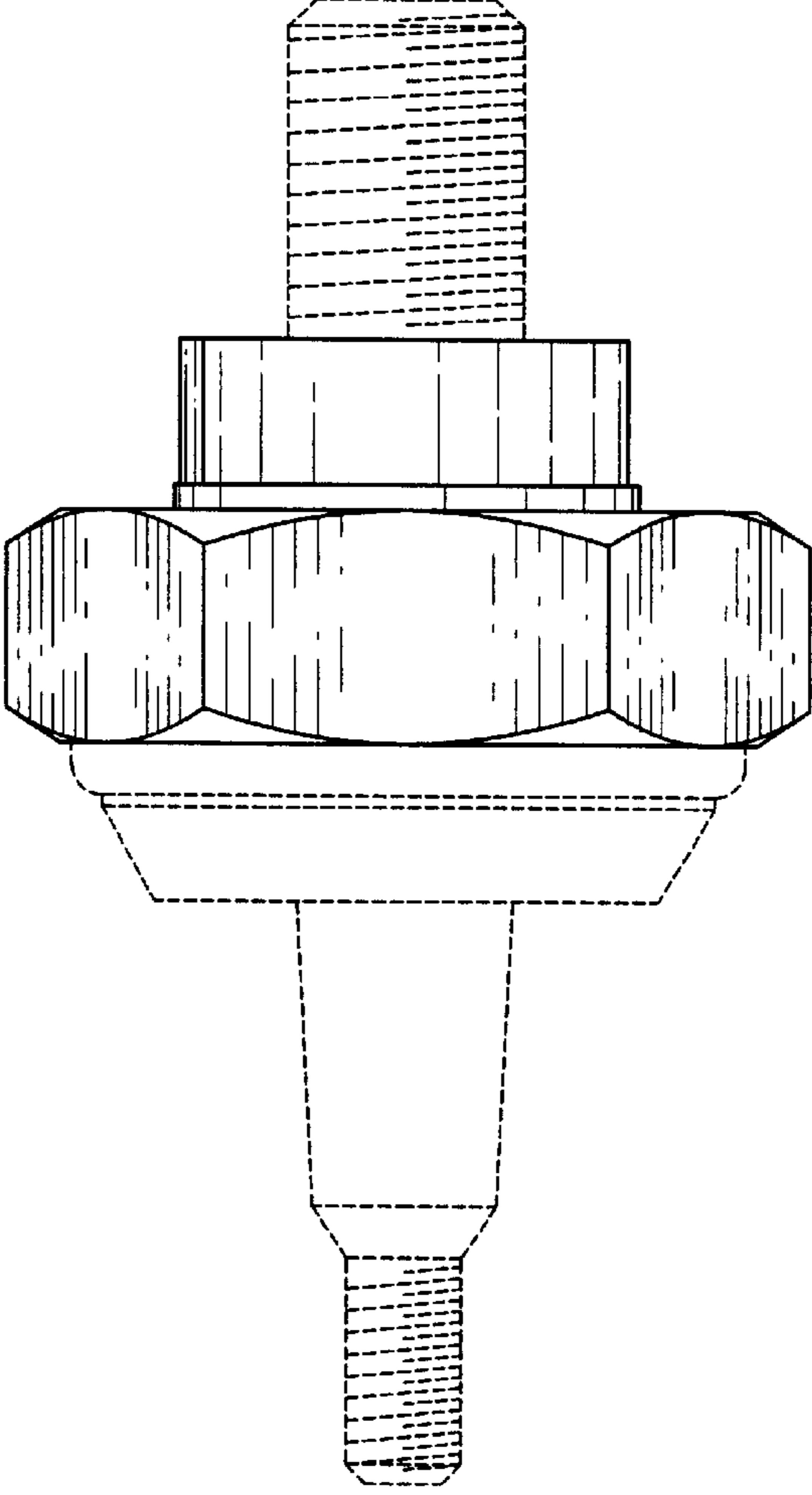


FIG. 5

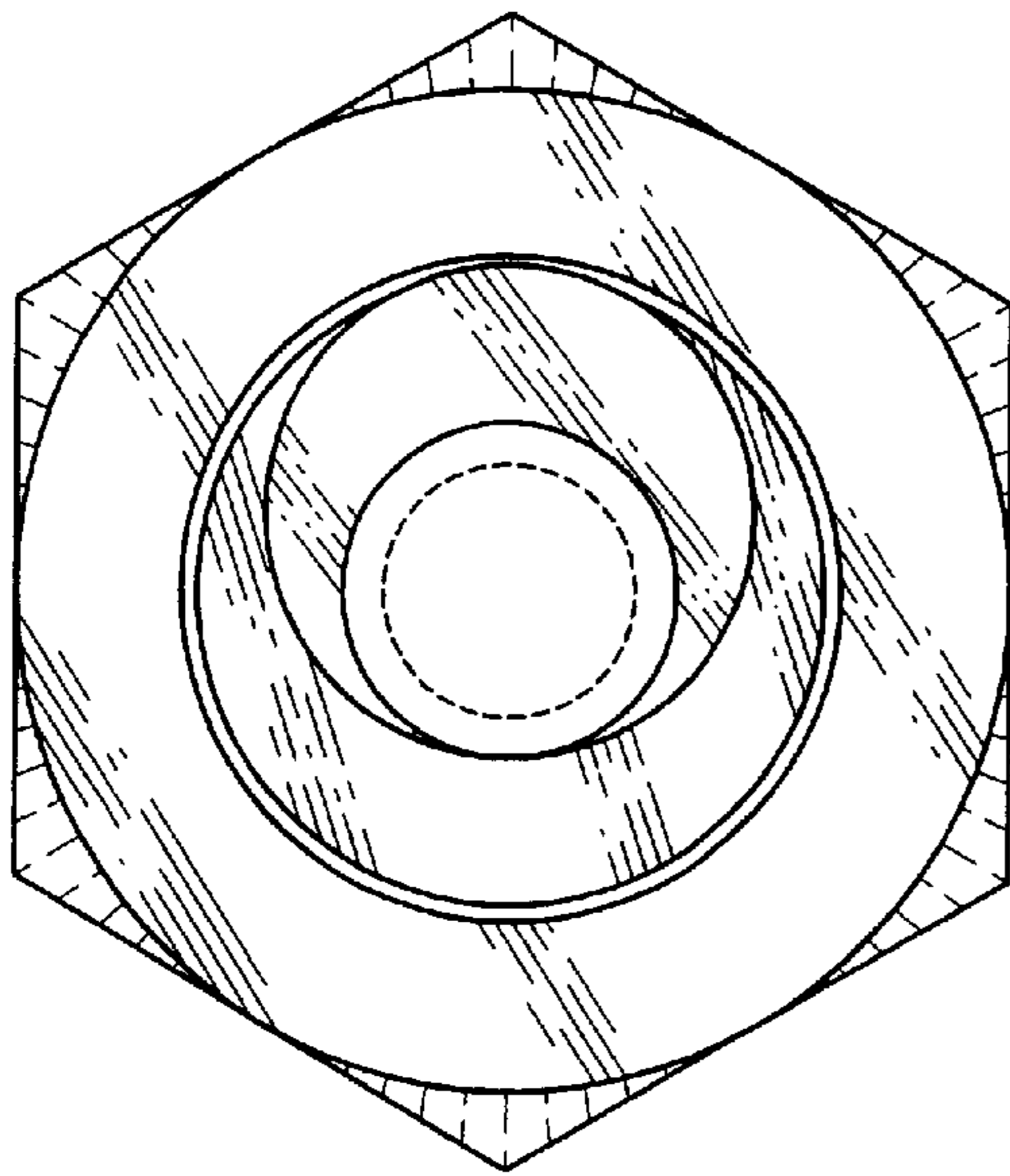


FIG. 6

