



US00D524147S

(12) **United States Design Patent**
Bricker

(10) **Patent No.:** **US D524,147 S**

(45) **Date of Patent:** **** Jul. 4, 2006**

(54) **FURNITURE JOINERY APPARATUS**

(75) Inventor: **Jon R. Bricker**, West Lafayette, IN
(US)

(73) Assignee: **Purdue Research Foundation**, West
Lafayette, IN (US)

(**) Term: **14 Years**

(21) Appl. No.: **29/204,269**

(22) Filed: **Apr. 27, 2004**

(51) **LOC (8) Cl.** **08-08**

(52) **U.S. Cl.** **D8/382**

(58) **Field of Classification Search** D8/382;
411/508, 381, 364, 327

See application file for complete search history.

(56) **References Cited**

U.S. PATENT DOCUMENTS

231,880 A	8/1880	Winchell	
261,103 A	7/1882	Rose	
875,755 A	1/1908	Wanner	
915,002 A	3/1909	Werner	
2,148,353 A	2/1939	Hoffmann	
3,455,605 A	7/1969	Anderson	
3,957,239 A	* 5/1976	Slaats et al.	248/188
4,032,242 A	6/1977	Morris	
4,124,186 A	11/1978	Call, Sr.	
D259,083 S	* 5/1981	Riegsecker	D8/394

4,277,198 A	7/1981	Beckman	
D387,656 S	* 12/1997	Liang	D8/382
5,921,056 A	* 7/1999	Weiss et al.	52/745.16
D427,894 S	* 7/2000	Benz et al.	D8/382
D428,804 S	* 8/2000	Benz et al.	D8/382
2002/0159832 A1	10/2002	Bowell	

* cited by examiner

Primary Examiner—Holly H. Baynham

(74) *Attorney, Agent, or Firm*—Brinks Hofer Gilson & Lione

(57) **CLAIM**

I claim the ornamental design for a furniture joinery apparatus, as shown and described.

DESCRIPTION

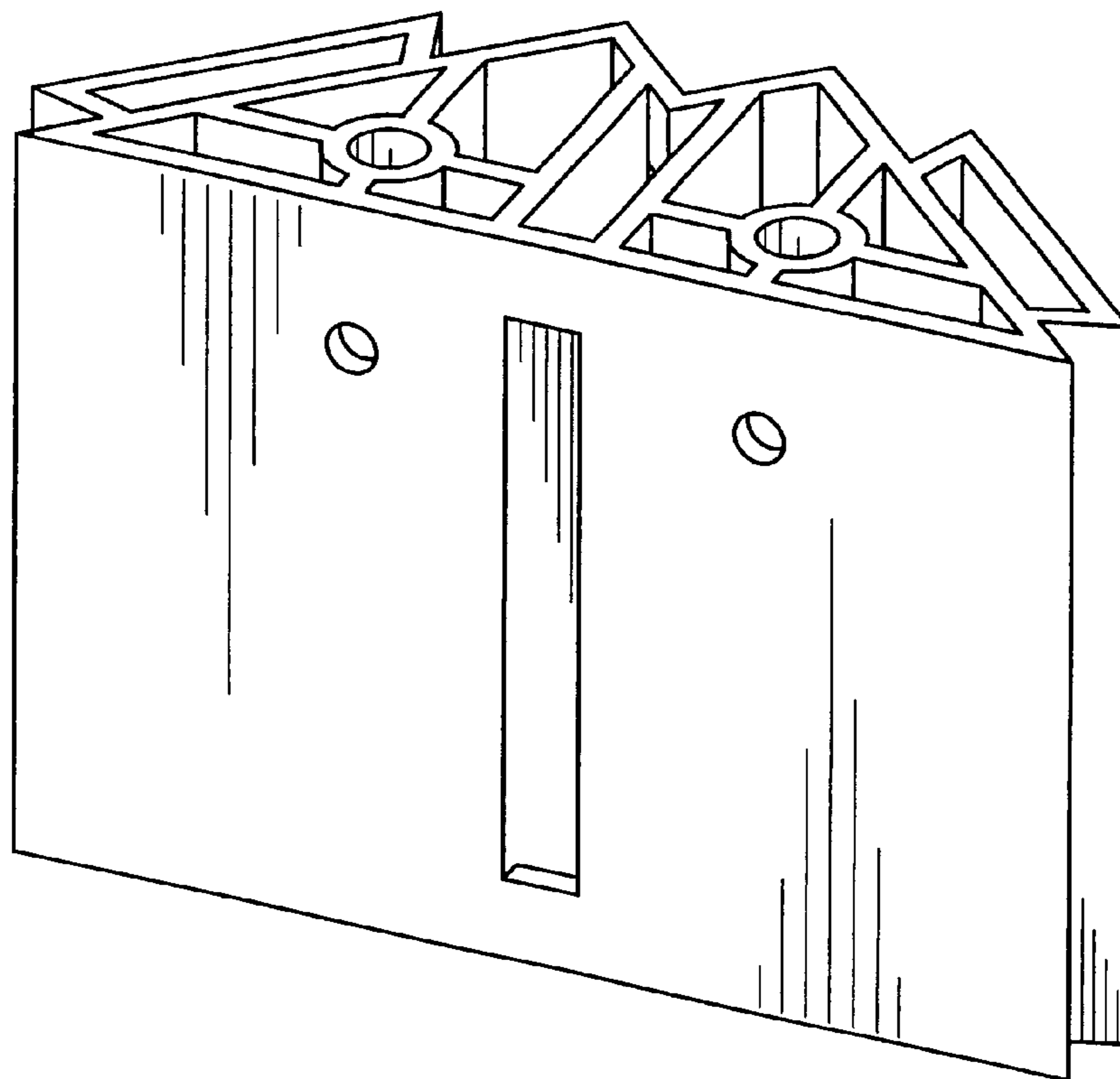
FIG. 1 is a perspective view of the top and front of a first embodiment for a furniture joinery apparatus showing my design.

FIG. 2 is a back elevation view of the apparatus shown in FIG. 1.

FIG. 3 is a top plan view of the apparatus shown in FIG. 1, the bottom plan view being identical thereto; and,

FIG. 4 is an elevation view from the left side of FIG. 3, the elevation view of the right side being a mirror image thereof. The elevation views of the back, left and right side of the apparatus shown in FIG. 5 are identical to the corresponding views of the first embodiment.

1 Claim, 3 Drawing Sheets



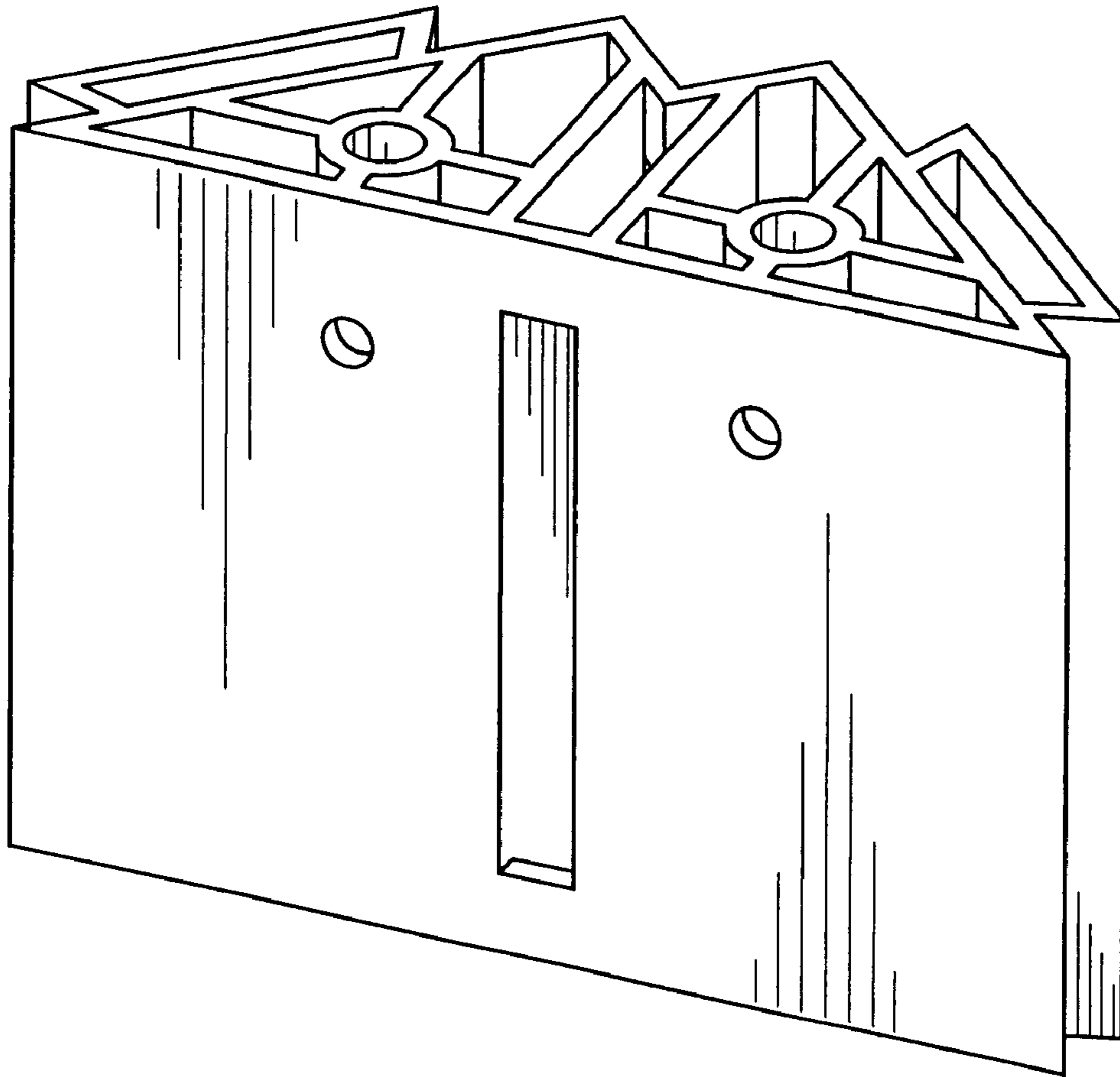


Fig. 1

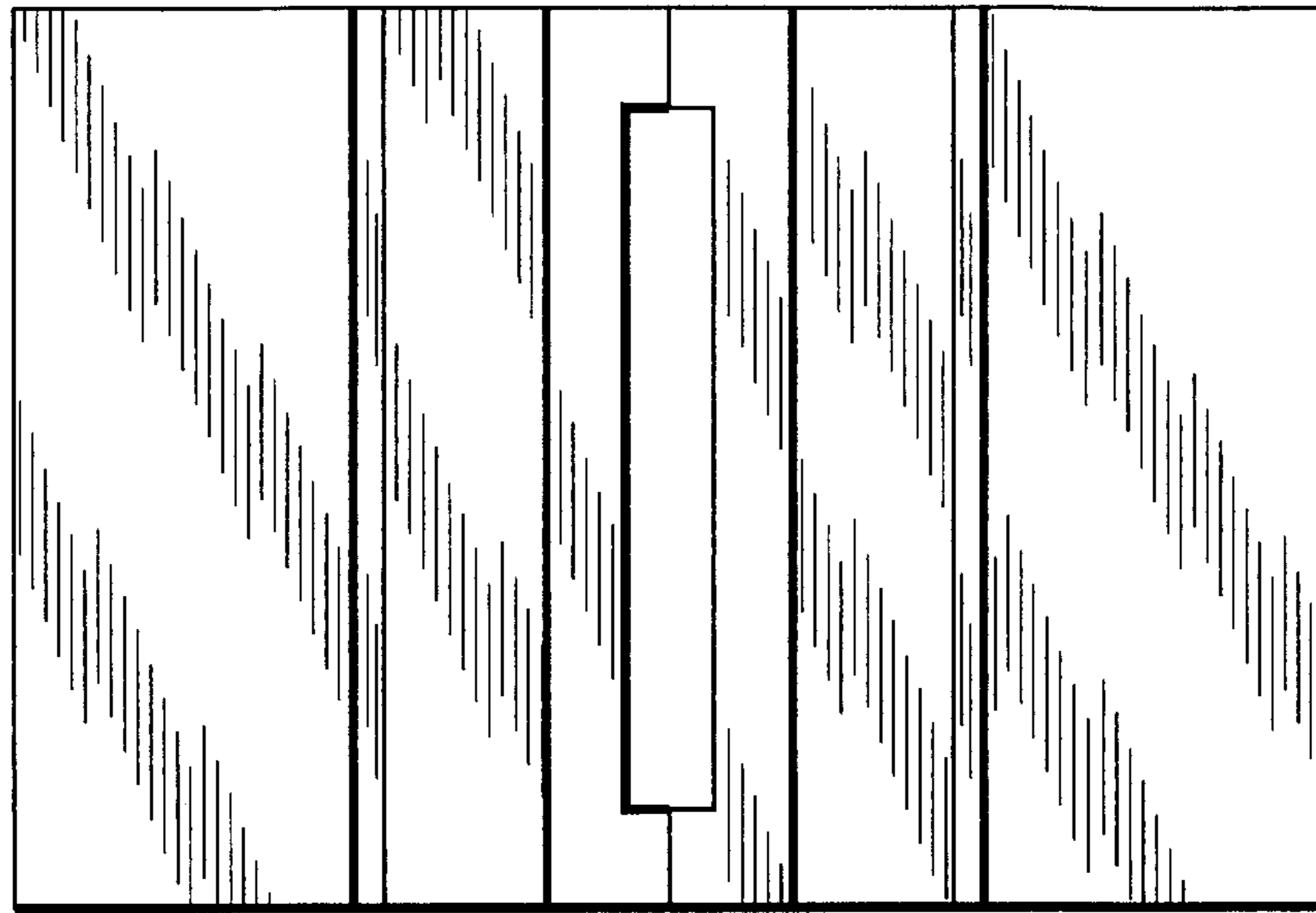


Fig. 2

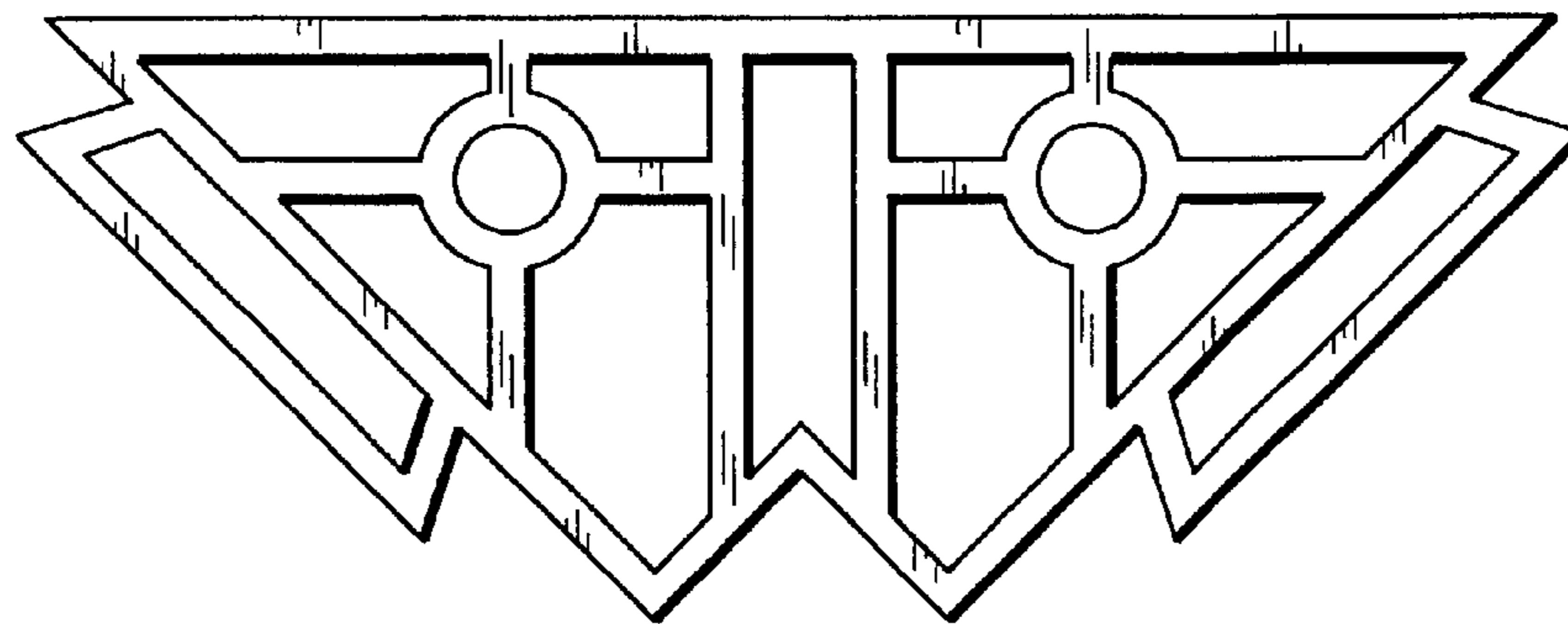


Fig. 3

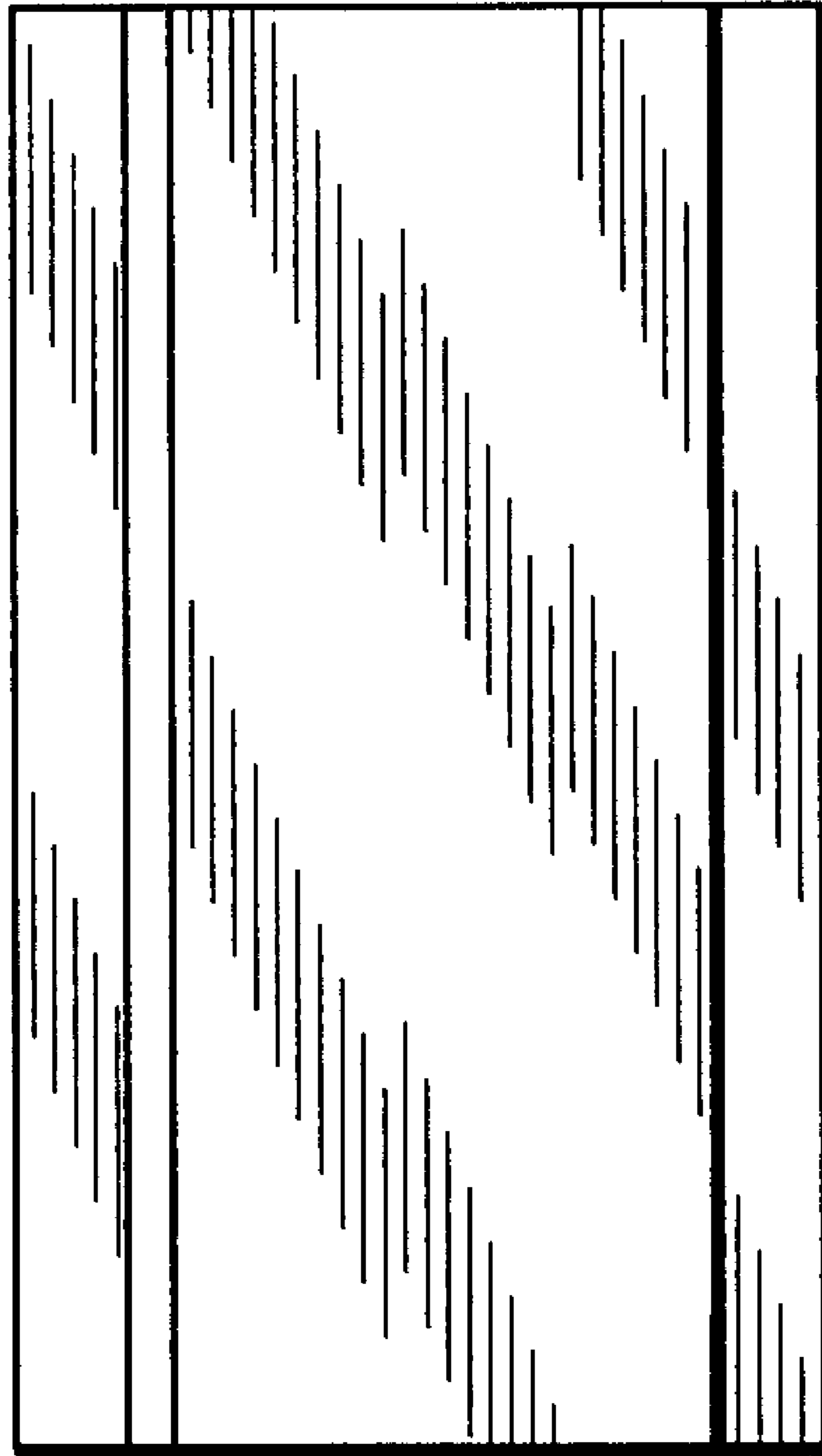


Fig. 4