



US00D524145S

(12) **United States Design Patent**  
**Heppner**

(10) **Patent No.:** **US D524,145 S**  
(45) **Date of Patent:** **\*\* Jul. 4, 2006**

- (54) **LOCK SHACKLE**
- (75) Inventor: **John Heppner**, Kenosha, WI (US)
- (73) Assignee: **Master Lock Company**, Oak Creek, WI (US)
- (\*\*) Term: **14 Years**
- (21) Appl. No.: **29/220,637**
- (22) Filed: **Jan. 4, 2005**

3,830,085 A	8/1974	Gerlach	
5,253,496 A	10/1993	Wang	
D352,223 S	* 11/1994	Shieh .....	D8/333
5,372,019 A	12/1994	Hsiao	
D360,125 S	* 7/1995	Taylor .....	D8/335
D392,540 S	3/1998	McDaid	
5,727,405 A	3/1998	Cromwell	
D408,261 S	4/1999	Gregory	
D433,310 S	11/2000	Luquire	
D433,311 S	11/2000	Luquire	
D454,486 S	3/2002	Striebel	
6,530,248 B1	* 3/2003	Parker .....	70/14
D484,777 S	1/2004	Ruan	

**Related U.S. Application Data**

- (63) Continuation of application No. 29/177,321, filed on Mar. 7, 2003.
- (51) **LOC (8) Cl.** ..... **08-07**
- (52) **U.S. Cl.** ..... **D8/343**; D8/334
- (58) **Field of Classification Search** ..... D8/330, D8/331, 333, 334, 343, 499; 70/14, 18, 24, 70/20, 25, 26, 32, 34, 35, 38 A, 38 B, 38 C, 70/53

See application file for complete search history.

**References Cited**

**U.S. PATENT DOCUMENTS**

526,740 A	10/1894	Rapaport	
D32,638 S	* 5/1900	Voight .....	D8/334
661,560 A	11/1900	Stall	
666,231 A	1/1901	Lawson	
767,004 A	8/1904	Muchowicz	
1,016,455 A	2/1912	Stone	
1,455,770 A	5/1923	Anderson	
1,629,388 A	5/1927	Jackson	
1,777,424 A	10/1930	Atkins	
3,395,555 A	8/1968	Hickman	
D212,170 S	9/1968	Owen et al.	
3,626,729 A	12/1971	Fane et al.	

**OTHER PUBLICATIONS**

Loklex Catalog, 1995, fornt page.\*

\* cited by examiner

*Primary Examiner*—Prabhakar Deshmukh

(74) *Attorney, Agent, or Firm*—Calfee, Halter & Griswold LLP

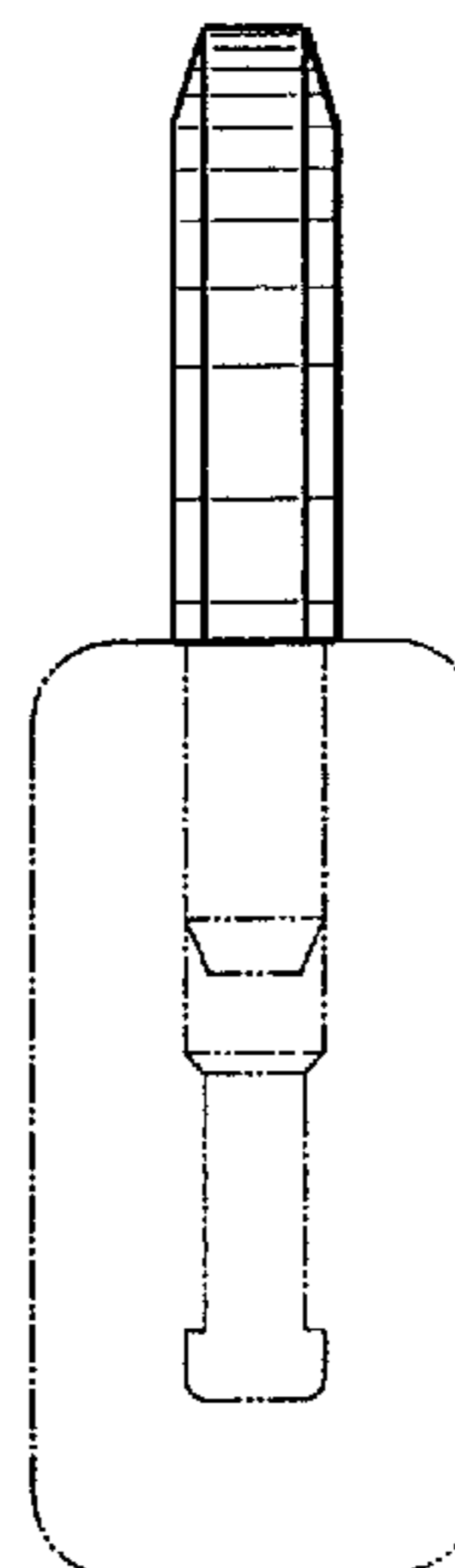
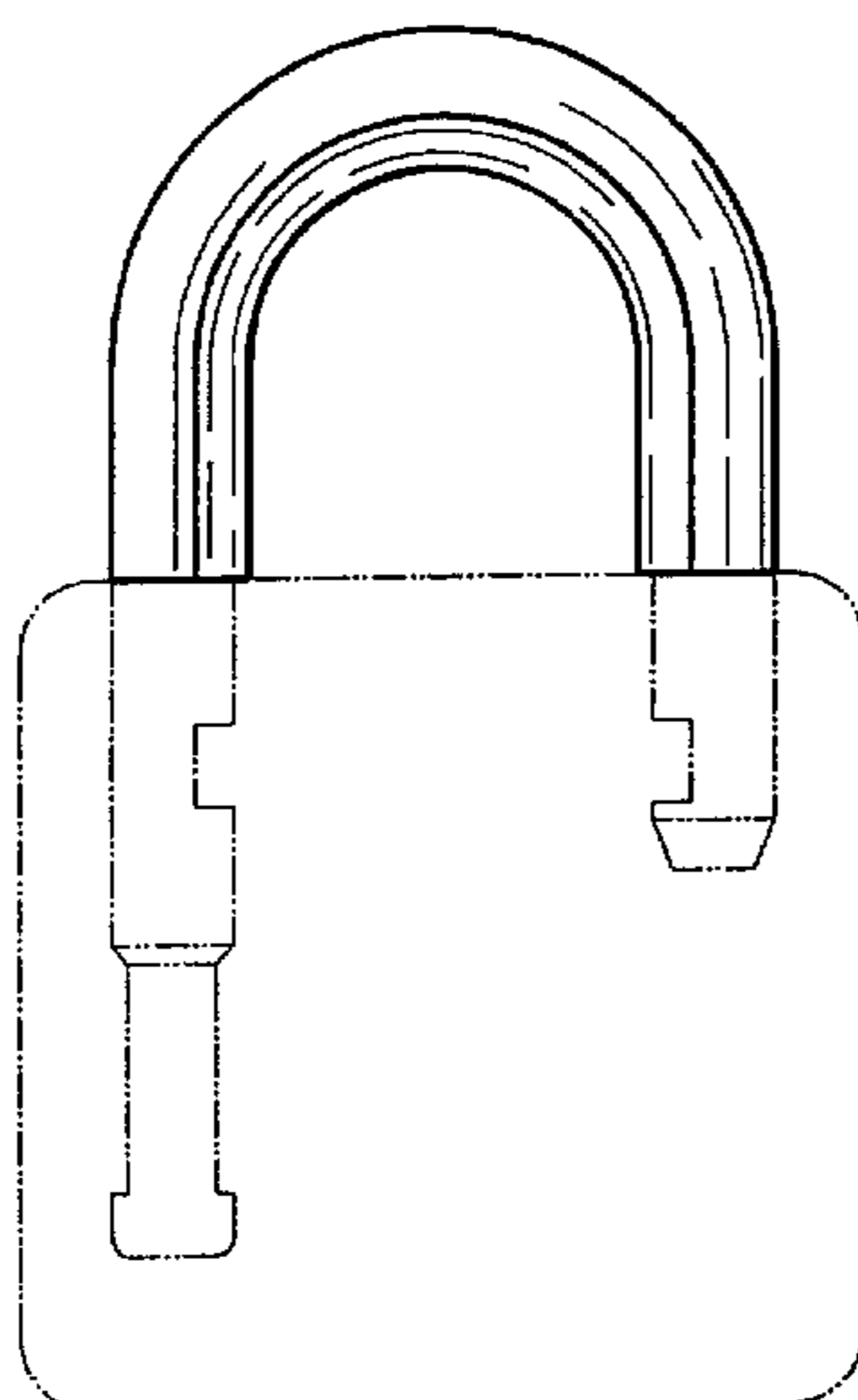
(57) **CLAIM**

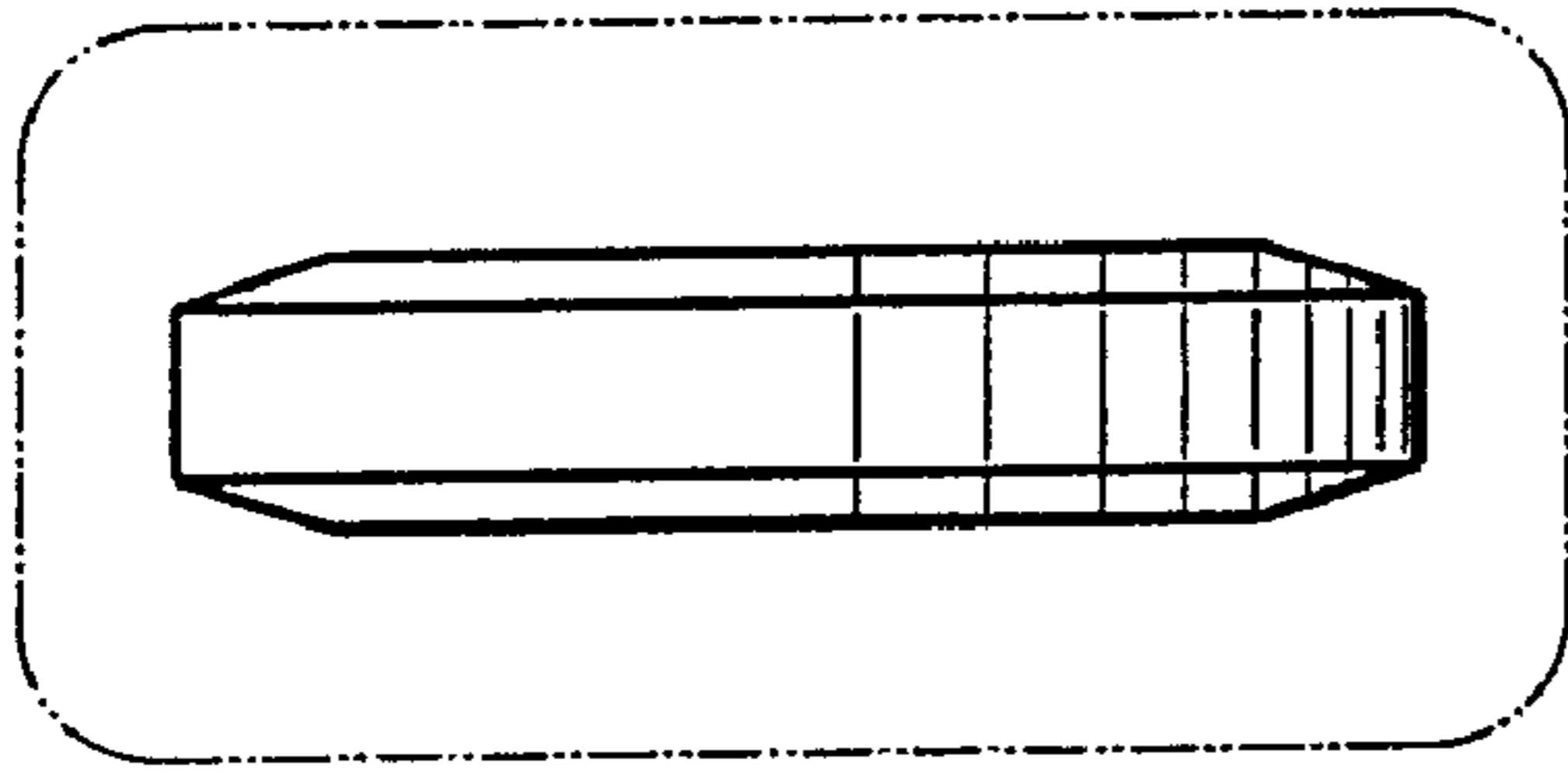
The ornamental design for a lock shackle, as shown and described.

**DESCRIPTION**

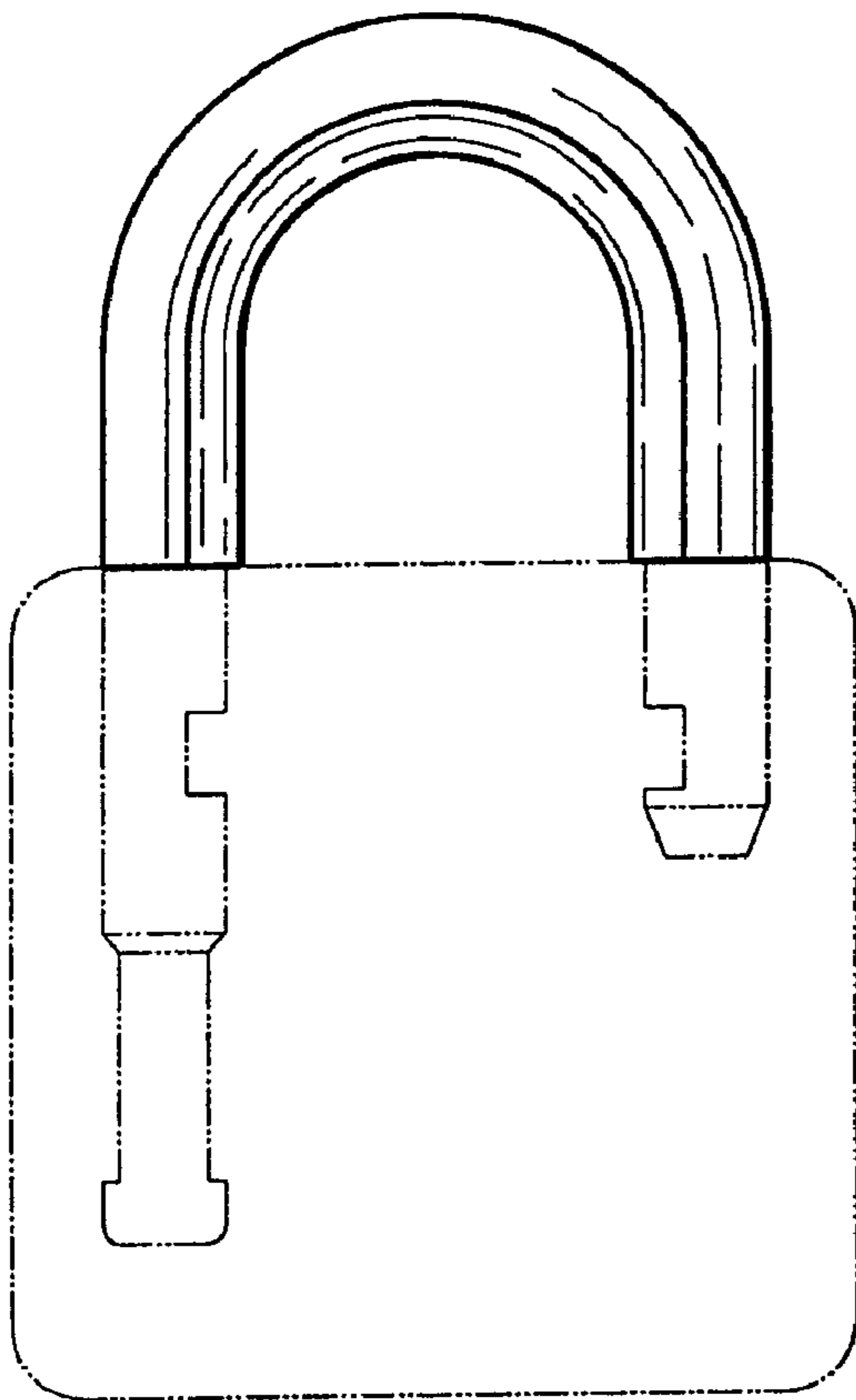
FIG. 1 is a top view of a lock shackle;  
 FIG. 2 is a side view of the lock shackle shown in FIG. 1, wherein each side is a mirror image of the other;  
 FIG. 3 is a front view of the lock shackle of FIG. 1, wherein the front view and the back view are mirror images of each other; and,  
 FIG. 4 is a bottom view of the lock shackle of FIG. 1.  
 The portions of the Figures shown in broken lines are for illustrative purposes only, and form no part of the claimed design.

**1 Claim, 1 Drawing Sheet**

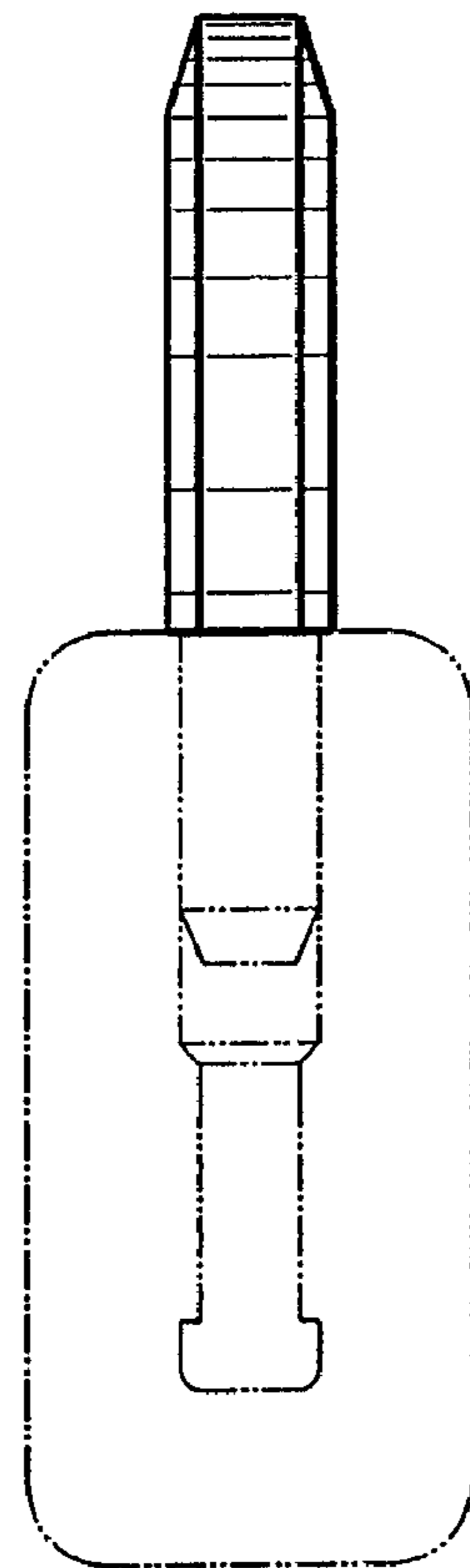




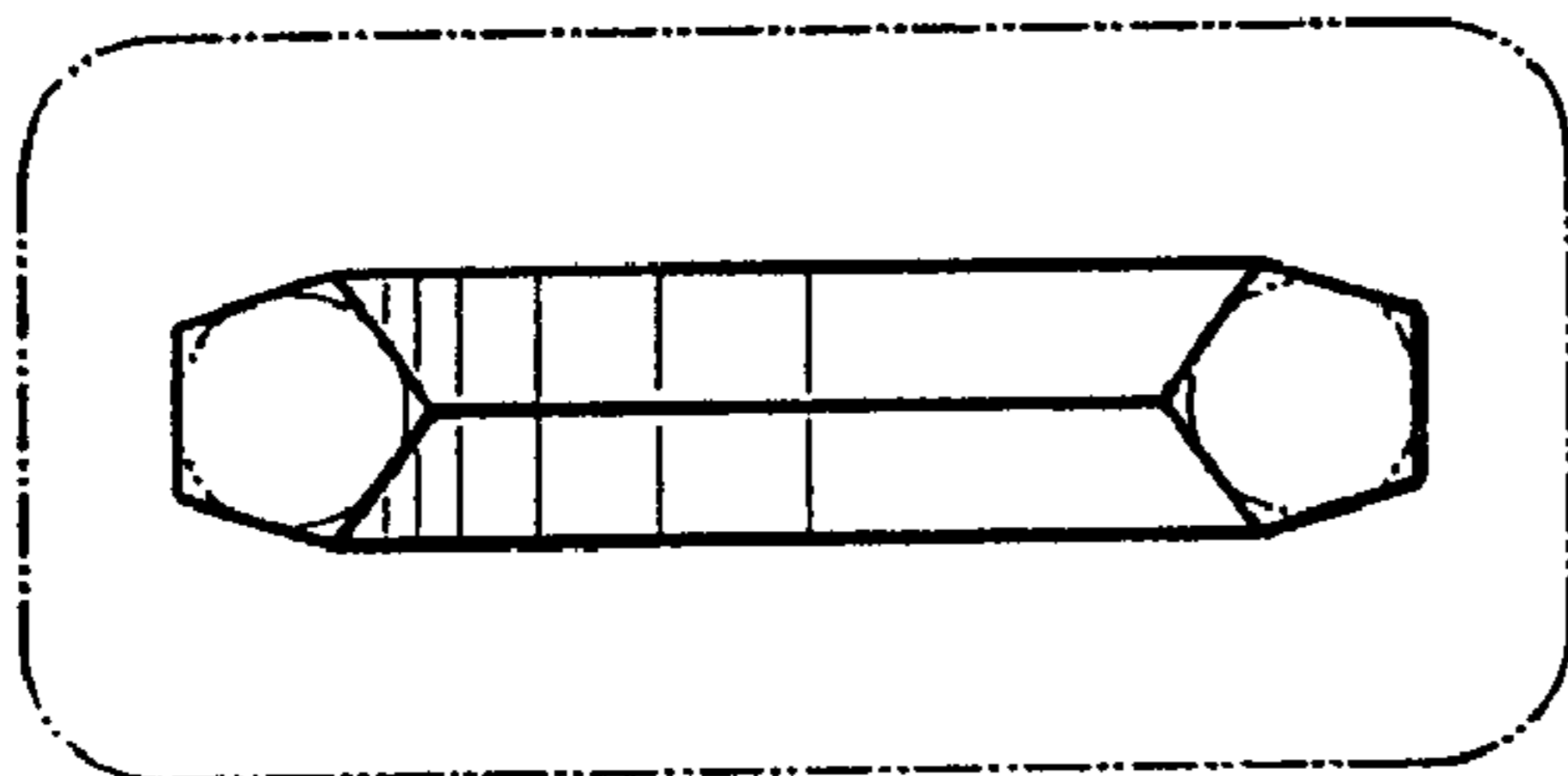
*Fig. 1*



*Fig. 2*



*Fig. 3*



*Fig. 4*

UNITED STATES PATENT AND TRADEMARK OFFICE  
**CERTIFICATE OF CORRECTION**

PATENT NO. : Des. 524,145 S  
APPLICATION NO. : 29/220637  
DATED : July 4, 2006  
INVENTOR(S) : Heppner

Page 1 of 3

It is certified that error appears in the above-identified patent and that said Letters Patent is hereby corrected as shown below:

Delete Title page illustrating figure(s), and substitute therefor, new Title page illustrating a figure(s). (attached)

Delete drawing sheet, and substitute therefor drawing sheet. (attached)

Signed and Sealed this

Twenty-ninth Day of May, 2007

A handwritten signature in black ink on a light gray dotted background. The signature reads "Jon W. Dudas" in a cursive style.

JON W. DUDAS

*Director of the United States Patent and Trademark Office*

(12) **United States Design Patent** (10) Patent No.: **US D524,145 S**  
**Heppner** (45) Date of Patent: \*\* **Jul. 4, 2006**

(54) **LOCK SHACKLE**

(75) Inventor: **John Heppner, Kenosha, WI (US)**

(73) Assignee: **Master Lock Company, Oak Creek, WI (US)**

(\*\*) Term: **14 Years**

(21) Appl. No.: **29/220,637**

(22) Filed: **Jan. 4, 2005**

3,830,085 A	8/1974	Gerlach	
5,253,496 A	10/1993	Wang	
D332,223 S	* 11/1994	Shieh	D8/333
5,372,019 A	12/1994	Hsiao	
D360,123 S	* 7/1995	Taylor	D8/335
D392,540 S	3/1998	McDaid	
5,727,405 A	3/1998	Cromwell	
D408,261 S	4/1999	Gregory	
D433,316 S	11/2000	Laquire	
D433,311 S	11/2000	Laquire	
D454,486 S	3/2002	Striebel	
6,530,248 B1	* 3/2003	Parker	70/14
D484,777 S	1/2004	Ruan	

**Related U.S. Application Data**

(63) Continuation of application No. 29/177,321, filed on Mar. 7, 2003.

(51) LOC (8) Cl. .... 08-07

(52) U.S. Cl. .... D8/343; D8/334

(58) Field of Classification Search .... D8/330, D8/331, 333, 334, 343, 499; 70/14, 18, 24, 70/20, 25, 26, 32, 34, 35, 38 A, 38 B, 38 C, 70/53

See application file for complete search history.

(56) **References Cited**

**U.S. PATENT DOCUMENTS**

526,740 A	10/1894	Rapaport	
D32,638 S	* 3/1900	Voight	D8/334
661,560 A	11/1900	Stall	
666,231 A	1/1901	Lawsan	
767,004 A	3/1904	Muchowicz	
1,016,455 A	2/1912	Stone	
1,455,770 A	5/1923	Anderson	
1,629,388 A	5/1927	Jackson	
1,777,434 A	10/1930	Atkins	
3,395,555 A	8/1968	Hickman	
D213,170 S	9/1968	Owen et al.	
3,626,729 A	12/1971	Fane et al.	

**OTHER PUBLICATIONS**

Lodex Catalog, 1995, front page.\*

\* cited by examiner

Primary Examiner—Prabhakar Deshmukh

(74) Attorney, Agent, or Firm—Calfee, Halter & Griswold LLP

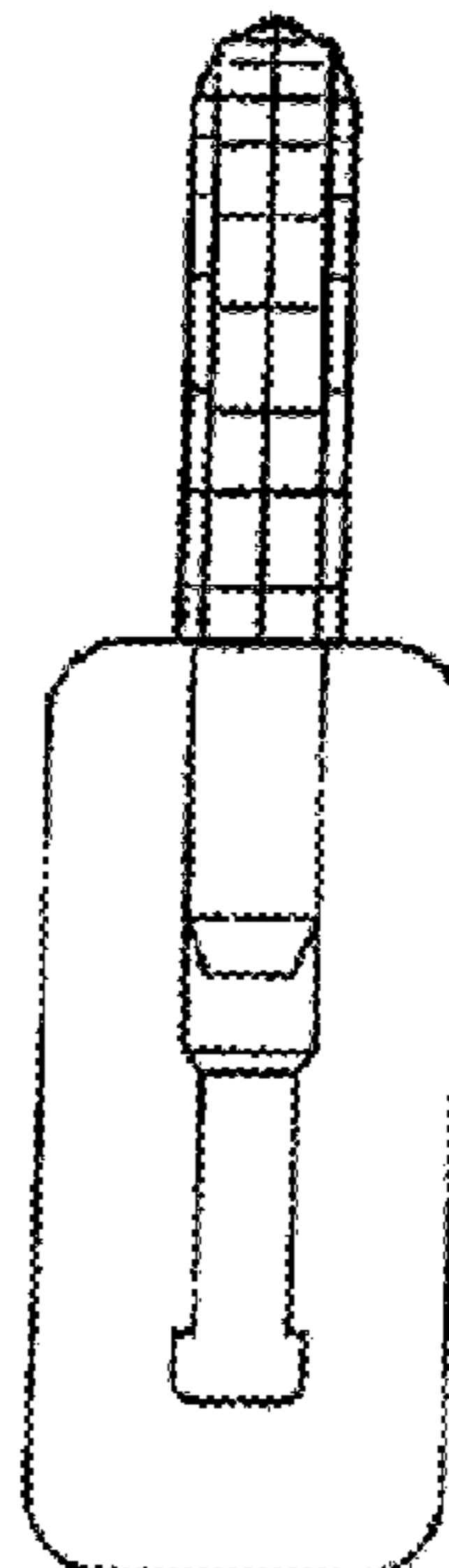
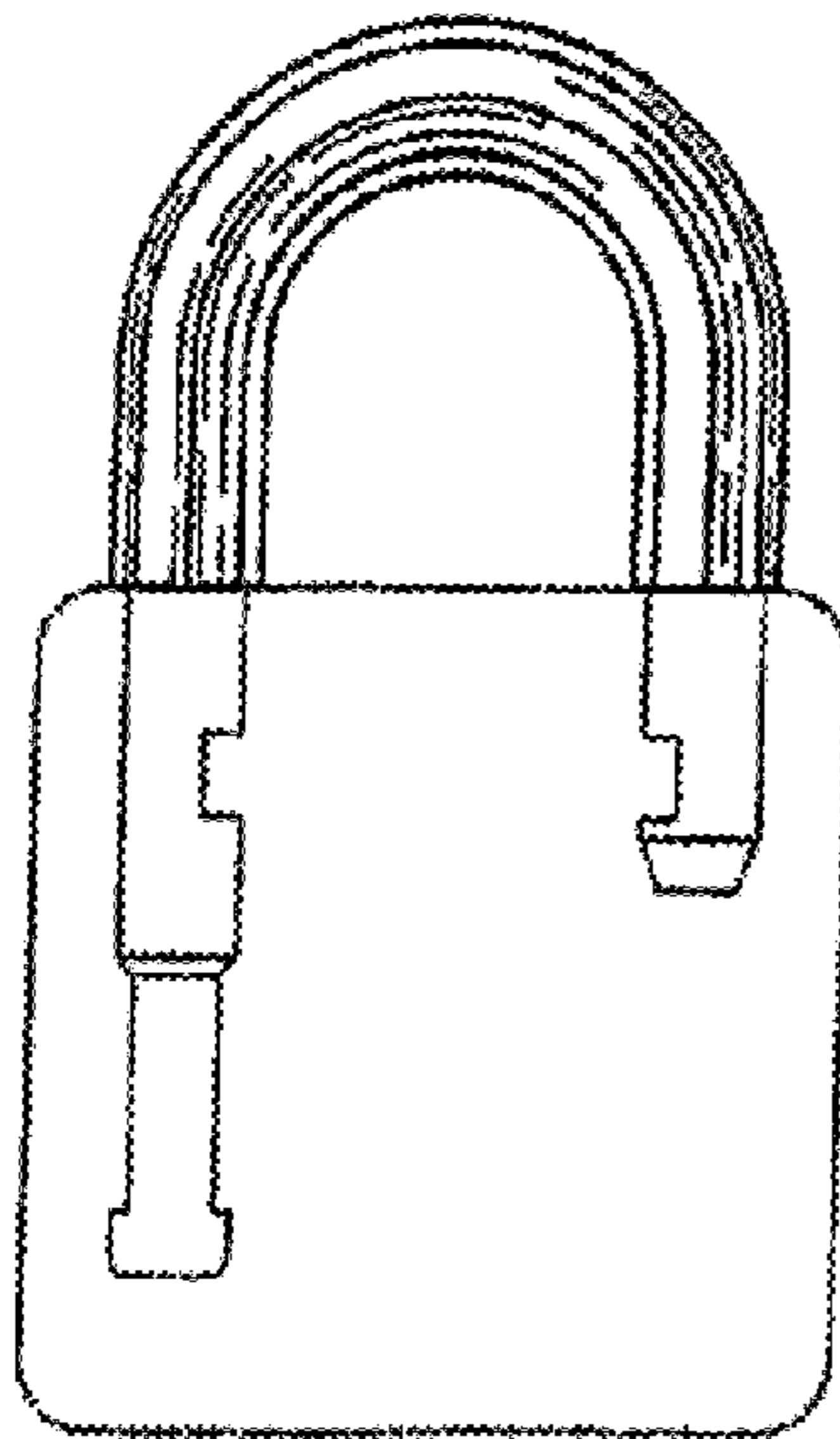
(57) **CLAIM**

The ornamental design for a lock shackle, as shown and described.

**DESCRIPTION**

FIG. 1 is a top view of a lock shackle;  
 FIG. 2 is a side view of the lock shackle shown in FIG. 1, wherein each side is a mirror image of the other;  
 FIG. 3 is a front view of the lock shackle of FIG. 1, wherein the front view and the back view are mirror images of each other; and,  
 FIG. 4 is a bottom view of the lock shackle of FIG. 1.  
 The portions of the Figures shown in broken lines are for illustrative purposes only, and form no part of the claimed design.

1 Claim, 1 Drawing Sheet



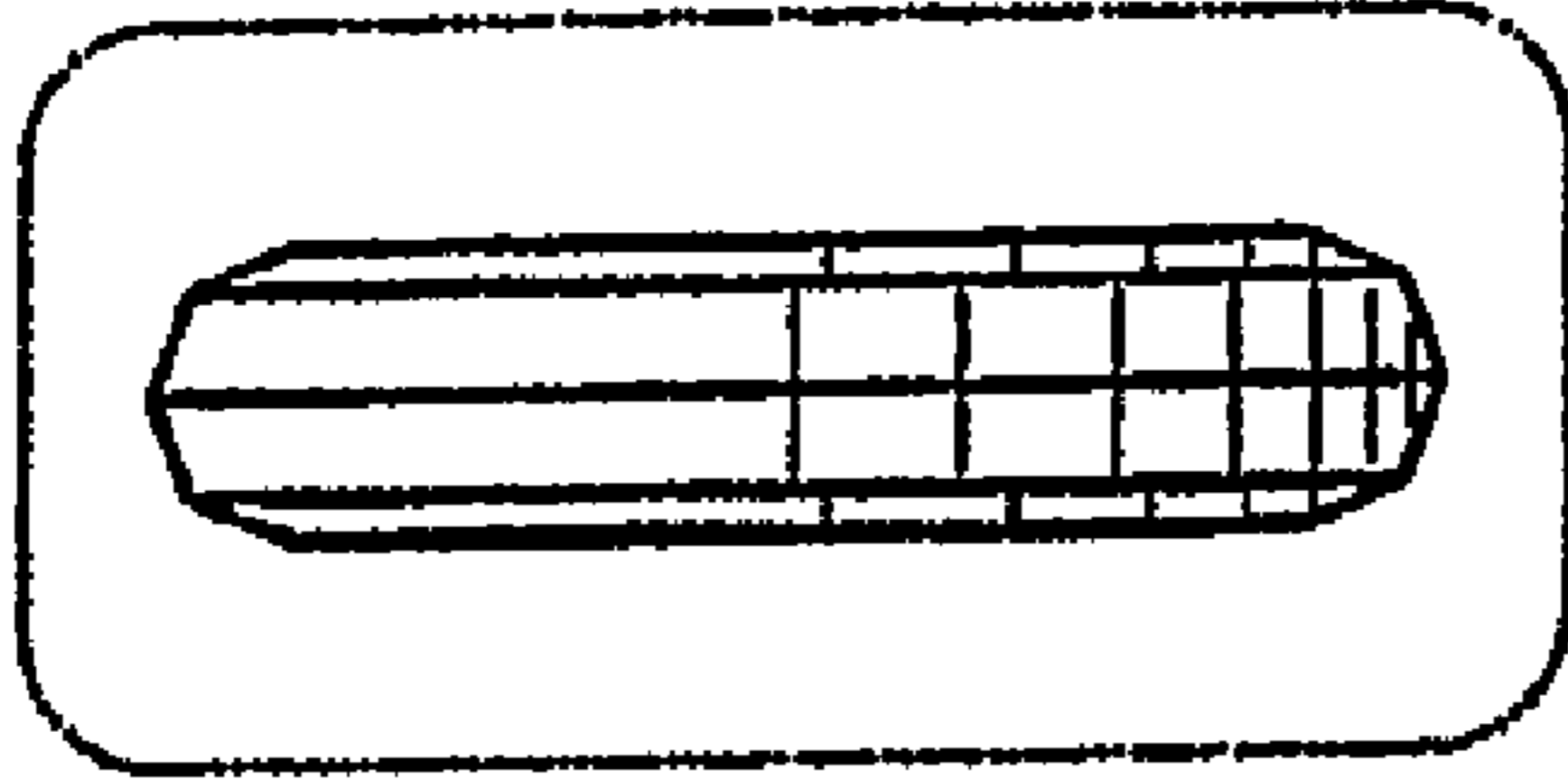


Fig. 1

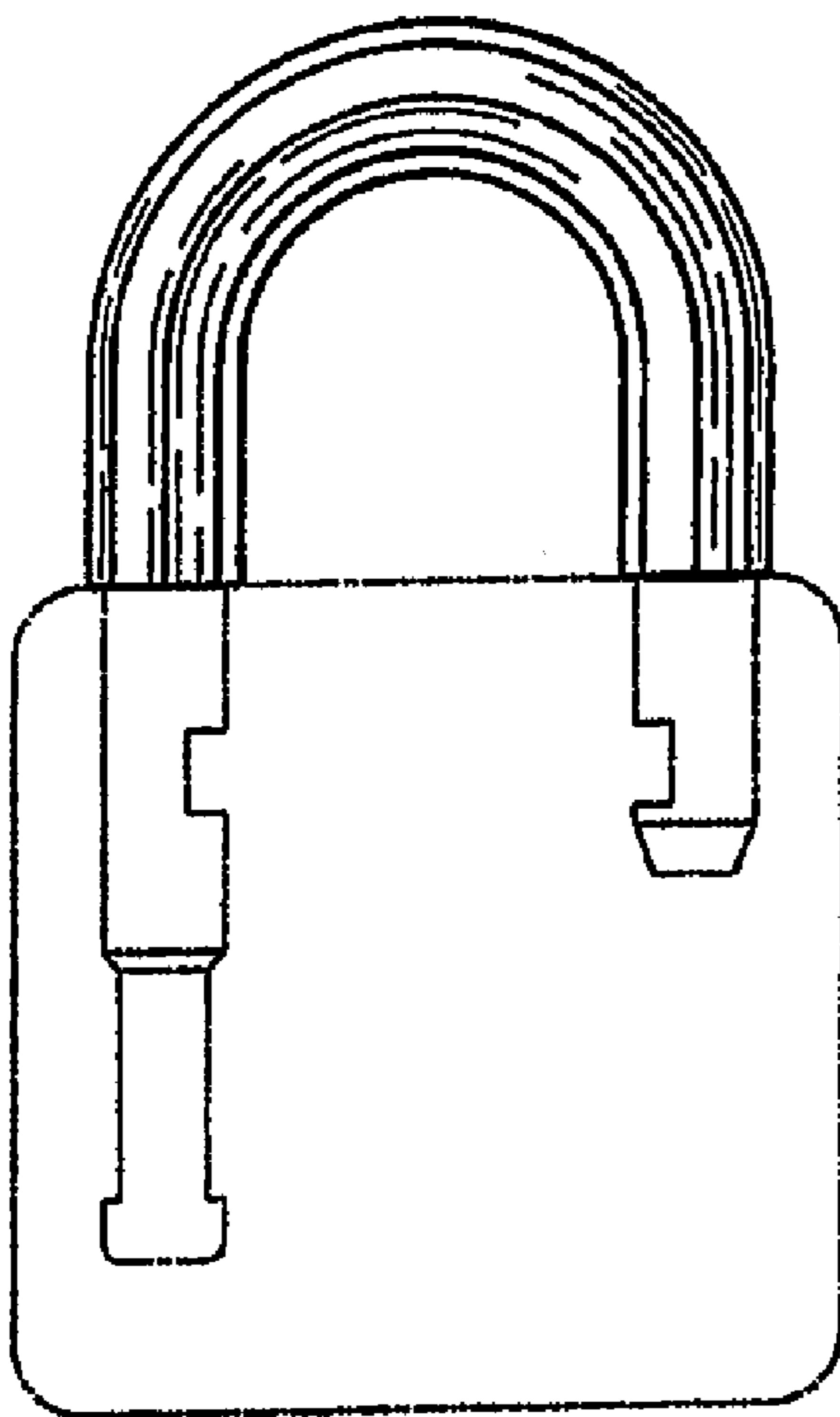


Fig. 2

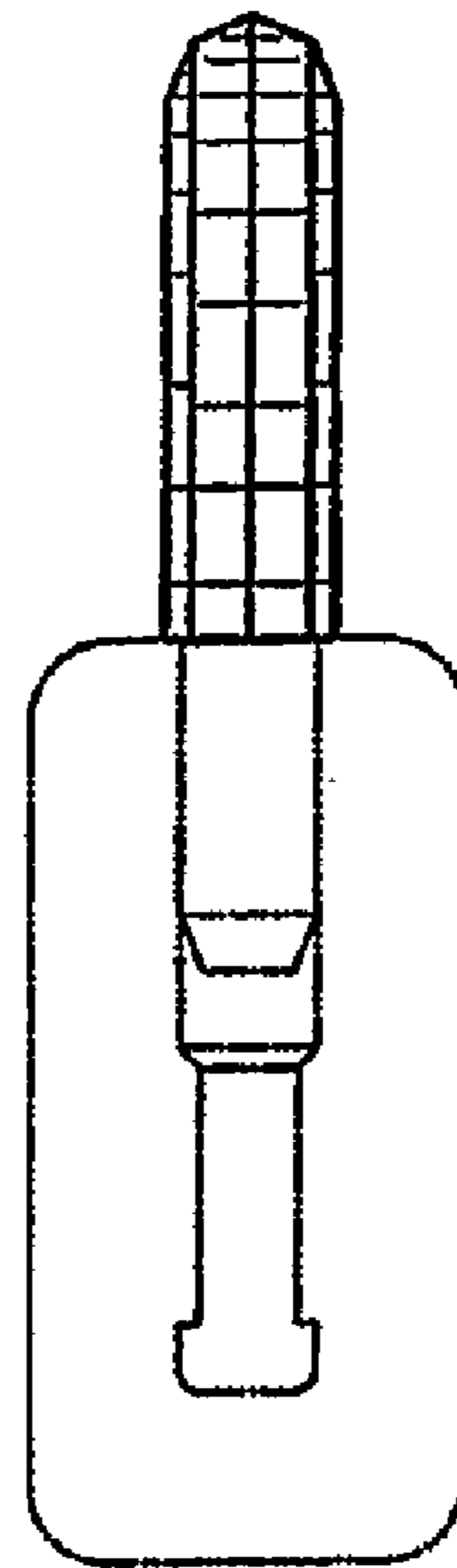


Fig. 3

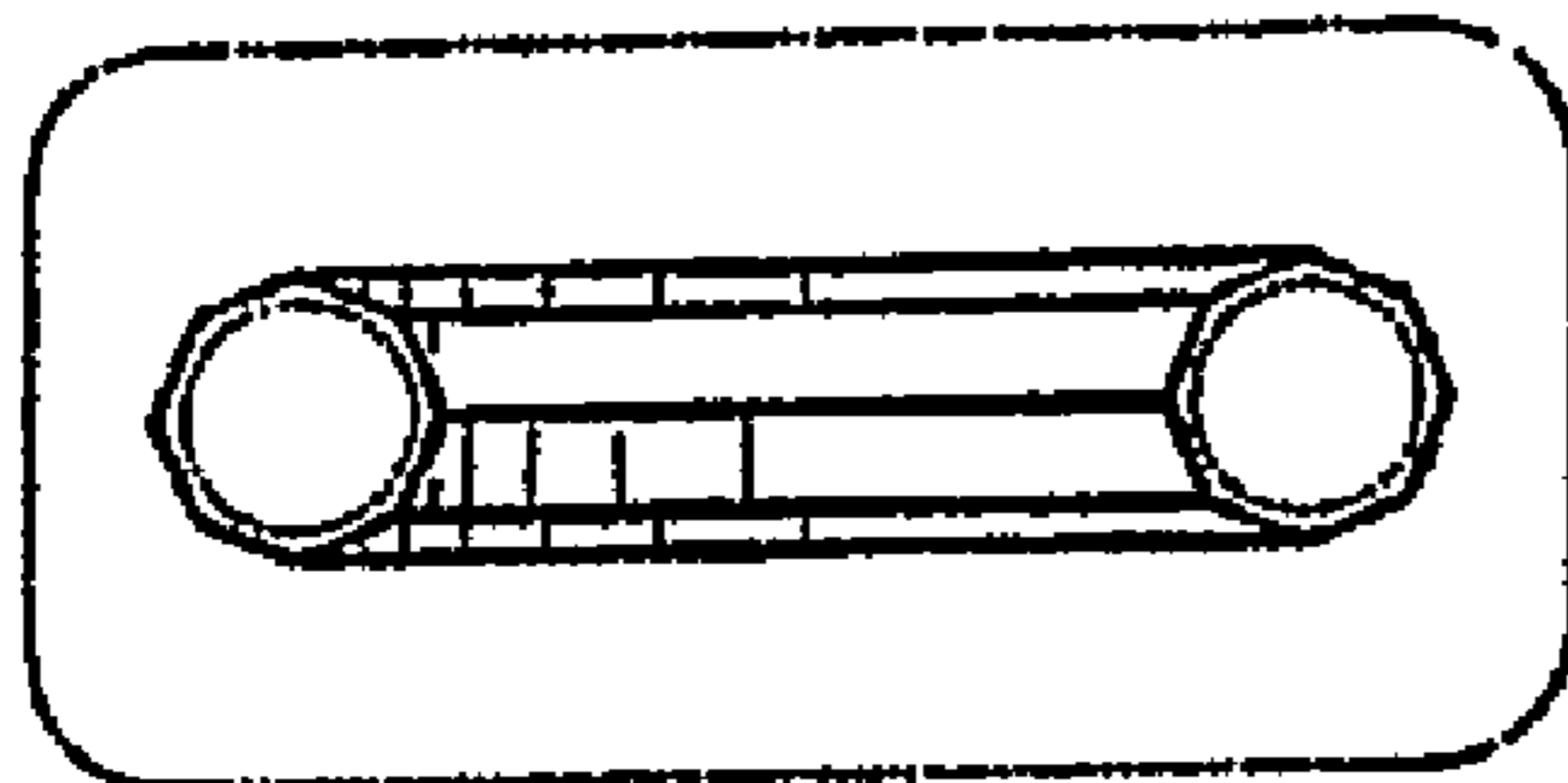


Fig. 4