



US00D524144S

(12) **United States Design Patent**  
**Recknagel et al.**

(10) **Patent No.:** **US D524,144 S**  
(45) **Date of Patent:** **\*\* Jul. 4, 2006**

(54) **RECEIVER PIN**

(75) Inventors: **Jim Recknagel**, Delafield, WI (US);  
**Ken Burmesch**, Port Washington, WI (US); **Chris Irgens**, Elm Grove, WI (US); **Rolf Hohmann**, Menomonee Falls, WI (US); **Mark Van Handel**, Milwaukee, WI (US); **Gary Burmesch**, Port Washington, WI (US); **Victor Yip**, Hong Kong (HK); **Kerry Jacques**, Wind Lake, WI (US); **John Zapushek**, Racine, WI (US)

(73) Assignee: **Master Lock Company**, Oak Creek, WI (US)

(\*\*) Term: **14 Years**

(21) Appl. No.: **29/193,055**

(22) Filed: **Nov. 3, 2003**

(51) **LOC (8) Cl.** ..... **08-07**

(52) **U.S. Cl.** ..... **D8/339; D8/341; D8/331**

(58) **Field of Classification Search** ..... **D8/330, D8/331, 339, 341, 343, 347, 338; 70/14, 70/26, 39, 33, 34, 51, 52, 58, 91, 181, 208, 70/232, 431, 378, 372, DIG. 23, DIG. 25; 292/86, 42, 119, 156; 403/321, 324, 322.3, 403/322.4**

See application file for complete search history.

(56) **References Cited**

U.S. PATENT DOCUMENTS

325,221 A \* 8/1885 Wright ..... 411/342  
(Continued)

*Primary Examiner*—Prabhakar Deshmukh

(74) *Attorney, Agent, or Firm*—Calfee, Halter & Griswold LLP

(57) **CLAIM**

The ornamental design for a receiver pin, as shown and described.

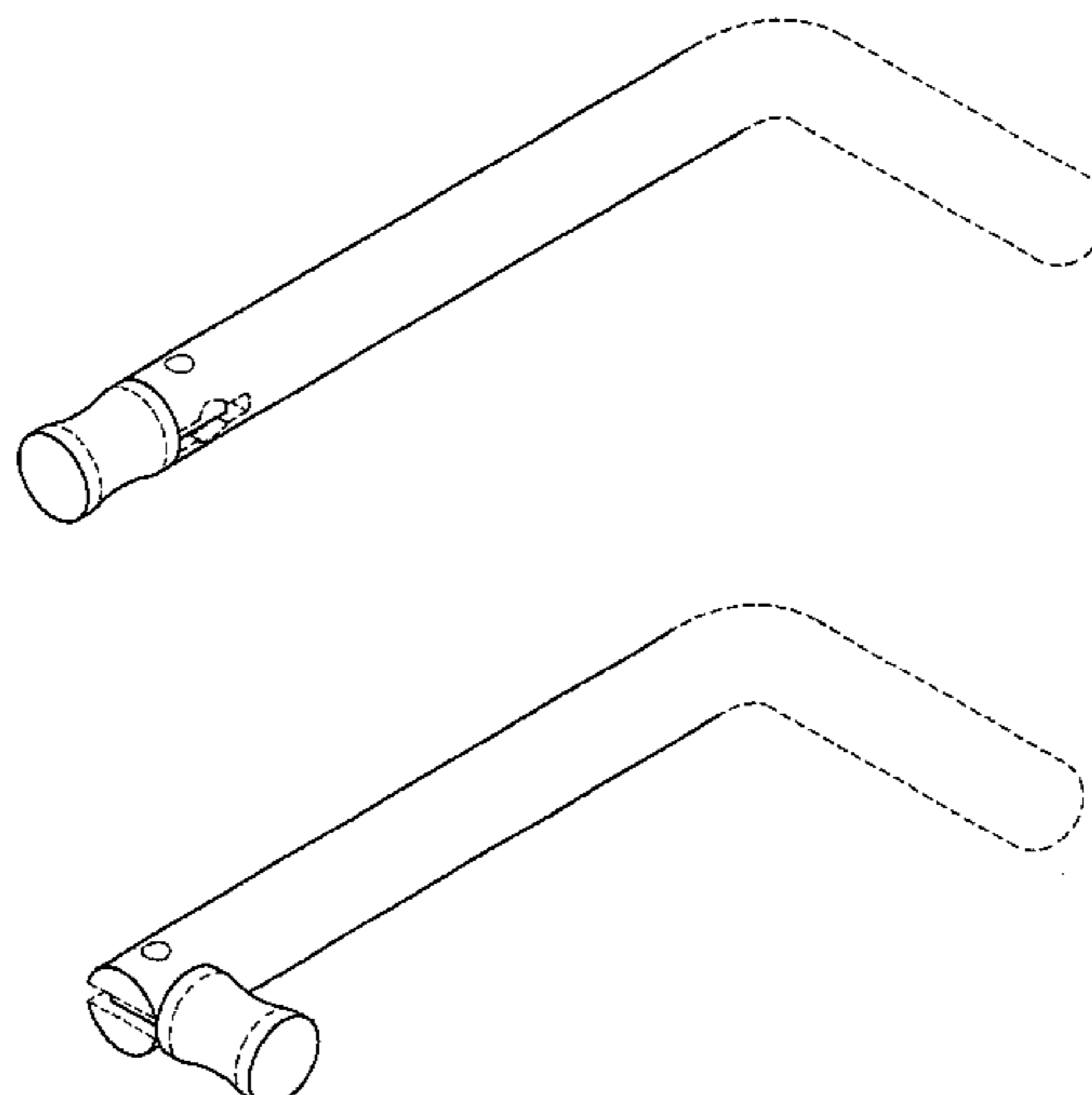
**DESCRIPTION**

FIG. 1 is a perspective view of a receiver pin showing our new design;

FIG. 2 is a top view of the design shown in FIG. 1; FIG. 3 is a side view of the design shown in FIG. 1; FIG. 4 is a bottom view of the design shown in FIG. 1; FIG. 5 is a back view of the design shown in FIG. 1; FIG. 6 is a side view of the design shown in FIG. 1; FIG. 7 is a front view of the design shown in FIG. 1; FIG. 8 is a perspective view of the design of the present invention, wherein the clip is in the locked position; FIG. 9 is a perspective view of a second embodiment of the design of the present invention; FIG. 10 is a top view of the design shown in FIG. 9; FIG. 11 is a side view of the design shown in FIG. 9; FIG. 12 is a bottom view of the design shown in FIG. 9; FIG. 13 is a back view of the design shown in FIG. 9; FIG. 14 is a side view of the design shown in FIG. 9; FIG. 15 is a front view of the design shown in FIG. 9; FIG. 16 is a perspective view of the design of the present invention, wherein the clip is in the locked position; FIG. 17 is a perspective view of a third embodiment of the design of the present invention; FIG. 18 is a top view of the design shown in FIG. 17; FIG. 19 is a side view of the design shown in FIG. 17; FIG. 20 is a bottom view of the design shown in FIG. 17; FIG. 21 is a back view of the design shown in FIG. 17; FIG. 22 is a side view of the design shown in FIG. 17; FIG. 23 is a front view of the design shown in FIG. 17; FIG. 24 is a perspective view of the design of the present invention, wherein the clip is in the locked position; FIG. 25 is a perspective view of a fourth embodiment of the design of the present invention; FIG. 26 is a top view of the design shown in FIG. 25; FIG. 27 is a side view of the design shown in FIG. 25; FIG. 28 is a bottom view of the design shown in FIG. 25; FIG. 29 is a back view of the design shown in FIG. 25; FIG. 30 is a side view of the design shown in FIG. 25; FIG. 31 is a front view of the design shown in FIG. 25; and, FIG. 32 is a perspective view of the design of the present invention, wherein the clip is in the locked position.

The broken lines, which define the bounds of the claimed design, form no part thereof. The broken line environmental showing is for illustrative purposes only and forms no part of the claimed design.

**1 Claim, 12 Drawing Sheets**



# US D524,144 S

U.S. PATENT DOCUMENTS						
			4,888,967 A	12/1989	Kuo	
			4,964,285 A	10/1990	Lakoski et al.	
1,566,473 A	12/1925	Gibson	5,004,133 A	4/1991	Wyers	
2,541,638 A	2/1951	Clevett	5,022,243 A	6/1991	Embry et al.	
2,677,261 A	5/1954	Jacobi	5,027,630 A	7/1991	Stillwagon et al.	
3,176,007 A	3/1965	Tuschhoff	5,050,413 A	9/1991	Stillwagon et al.	
3,197,239 A	7/1965	Jezek, Jr.	5,063,763 A	11/1991	Johnson	
3,453,846 A	7/1969	Owen et al.	5,152,160 A	10/1992	Lentini	
3,559,429 A	2/1971	Hermann	5,197,314 A	3/1993	Stillwagon et al.	
3,652,114 A	3/1972	Cady et al.	5,216,903 A	6/1993	Chen	
3,673,910 A	7/1972	Collister	5,269,161 A	12/1993	Stillwagon	
3,721,112 A	3/1973	Wellekens	5,272,894 A	12/1993	Stillwagon et al.	
3,783,657 A	1/1974	Foote	5,284,038 A	2/1994	Johnson	
3,843,160 A	10/1974	Frushour et al.	5,437,515 A	8/1995	Kuramoto	
3,861,267 A	1/1975	Collister	5,447,045 A	9/1995	Cheng	
3,902,339 A	9/1975	Carley et al.	5,467,619 A	11/1995	Stillwagon et al.	
3,908,415 A	9/1975	Foote	5,507,611 A	4/1996	Collister	
3,911,761 A	10/1975	Cornellier	5,540,065 A	7/1996	Wyers	
3,963,264 A	6/1976	Down	5,664,445 A	9/1997	Chang	
3,999,414 A	12/1976	Leitner	5,676,258 A	10/1997	Leyden et al.	
4,141,232 A	2/1979	Kelly	5,682,775 A *	11/1997	Baber ..... 70/34	
4,198,026 A	4/1980	Capolupo	5,794,465 A	8/1998	Hill	
D255,772 S *	7/1980	Johnson et al. .... D8/331	6,055,832 A	5/2000	Wyers	
4,226,100 A	10/1980	Hampton et al.	D428,795 S	8/2000	Wyers	
4,236,395 A	12/1980	Avaiusini	6,145,866 A	11/2000	Peter	
4,277,961 A	7/1981	Williams	D439,827 S	4/2001	Wyers	
4,298,212 A	11/1981	Jamison	D444,050 S	6/2001	Wyers	
4,438,642 A	3/1984	De Jong	D447,043 S	8/2001	Wyers	
4,440,005 A	4/1984	Bulle	6,409,283 B1	6/2002	Hsieh	
4,576,021 A	3/1986	Holden	6,425,272 B1 *	7/2002	Chen ..... 70/34	
D283,199 S *	4/1986	Ostergren ..... D8/338	D461,392 S	8/2002	Zapushek	
4,619,122 A	10/1986	Simpson	6,575,000 B1 *	6/2003	Li ..... 70/34	
4,637,234 A	1/1987	Mielonen	6,672,115 B1 *	1/2004	Wyers ..... 70/14	
4,711,106 A	12/1987	Johnson	D501,131 S *	1/2005	Oskamp et al. .... D8/331	
4,730,468 A	3/1988	Becker	D511,292 S *	11/2005	Hohmann et al. .... D8/331	
4,732,019 A *	3/1988	Tolar ..... 70/203				
4,844,498 A *	7/1989	Kerins et al. .... 280/504				

\* cited by examiner

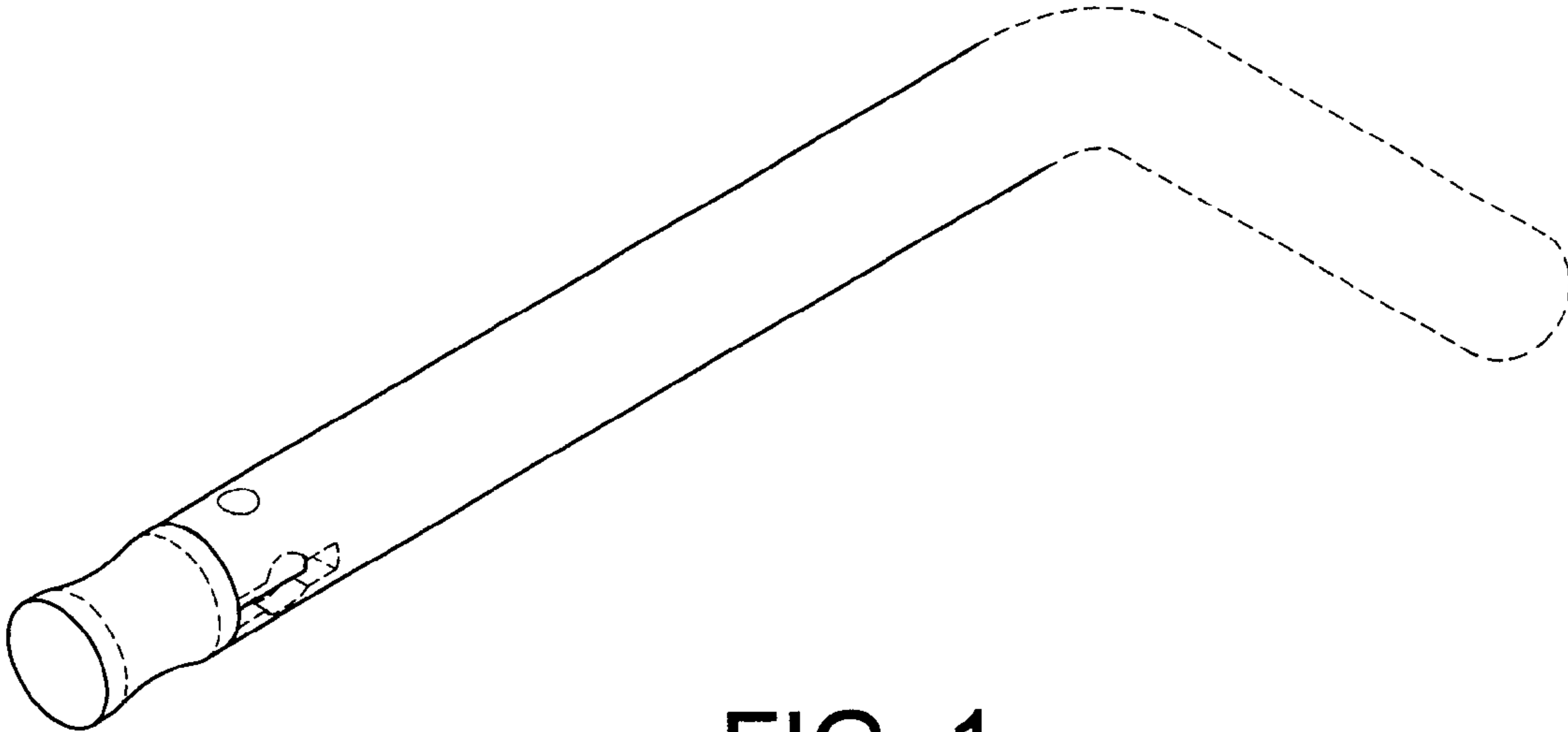


FIG. 1

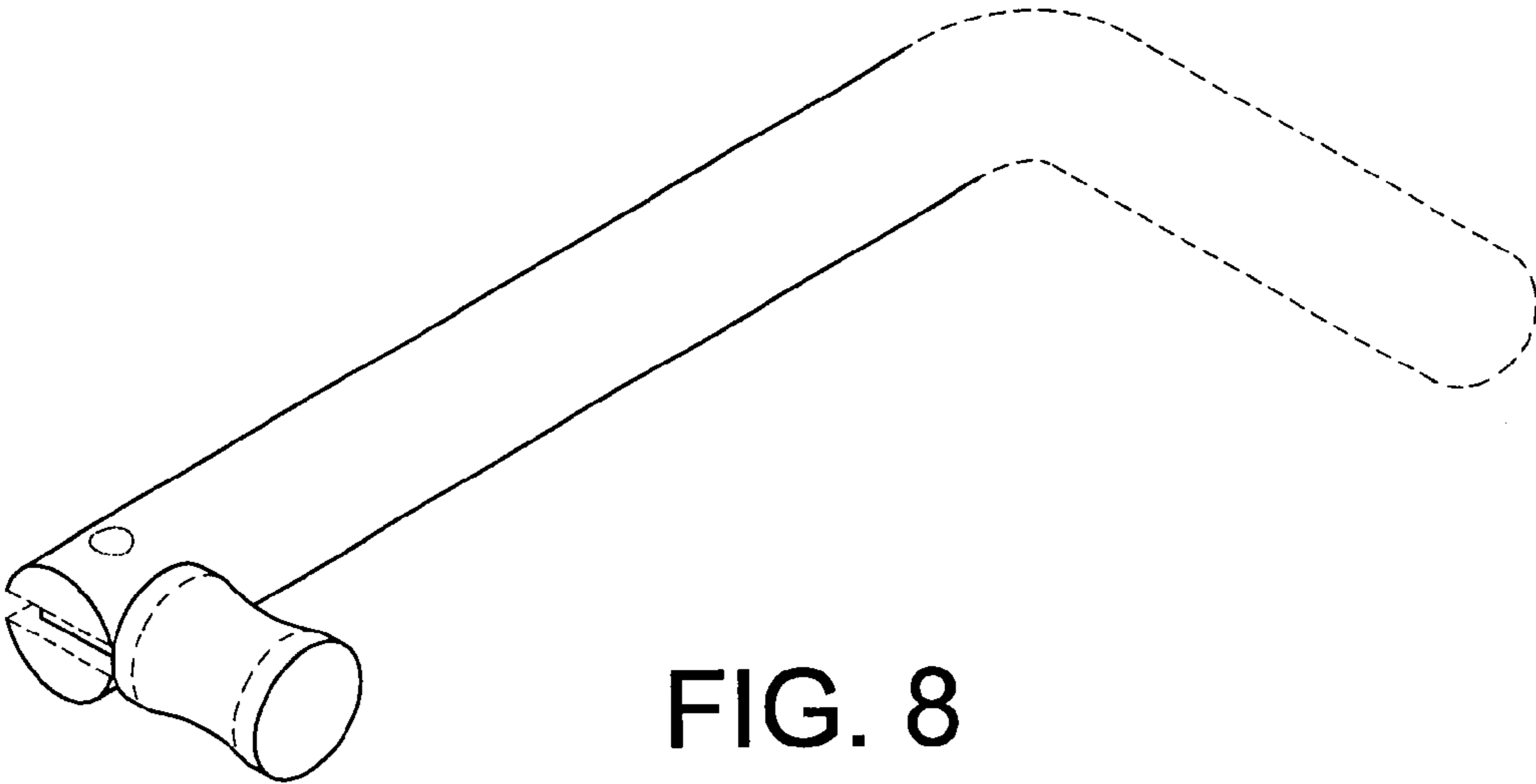


FIG. 8

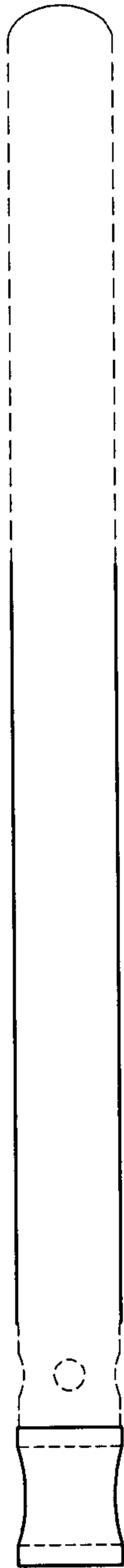


FIG. 2

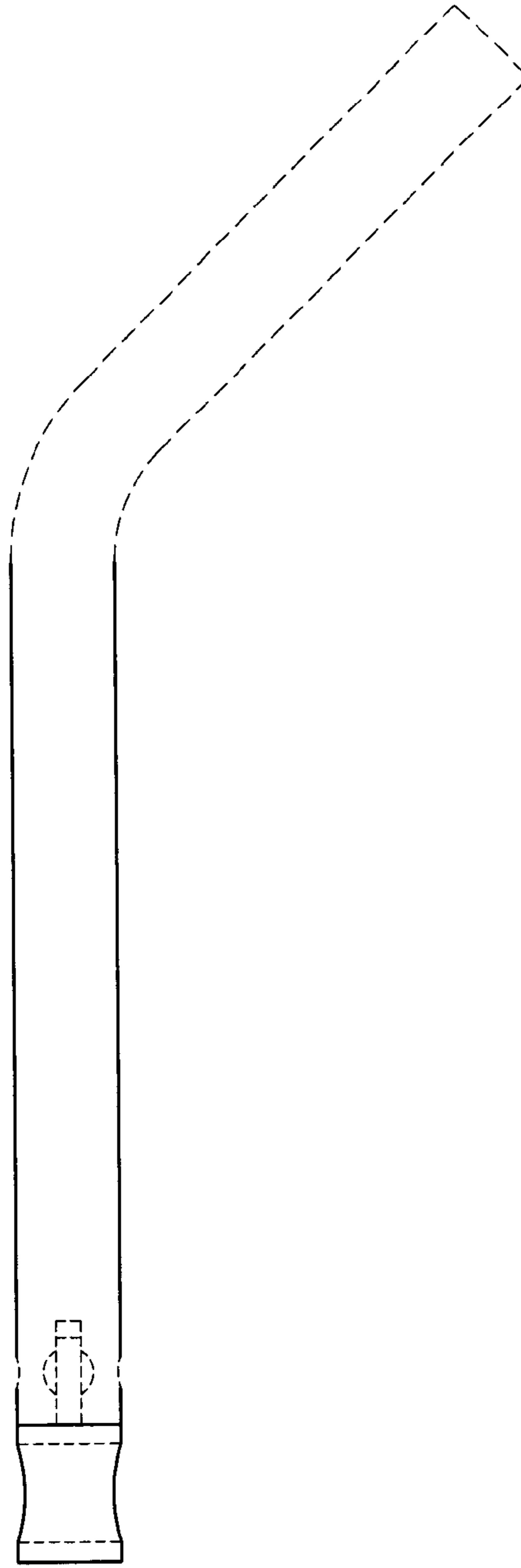


FIG. 3

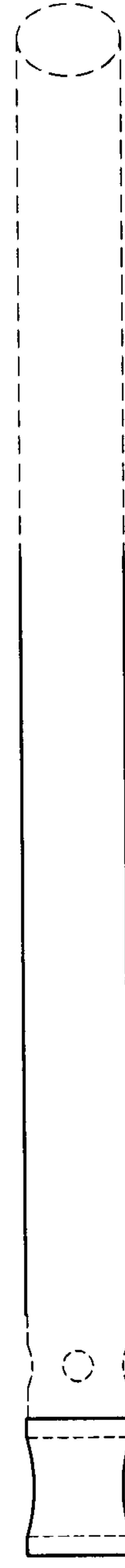


FIG. 4

FIG. 5



FIG. 6

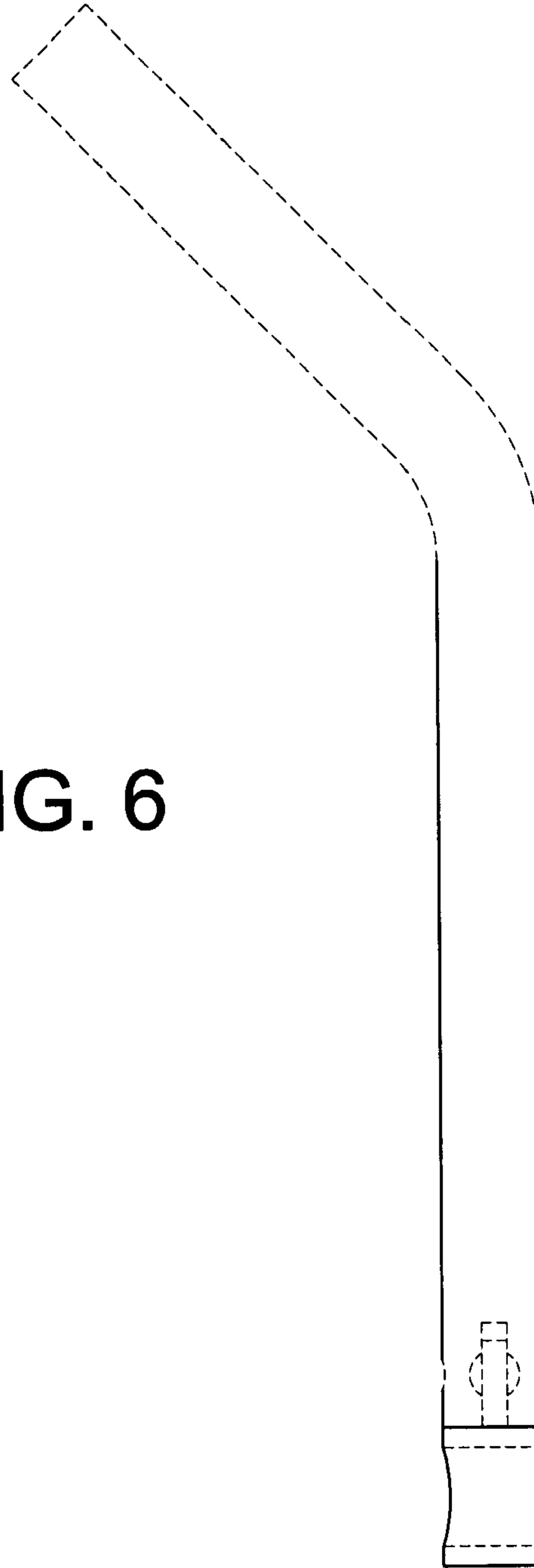


FIG. 7



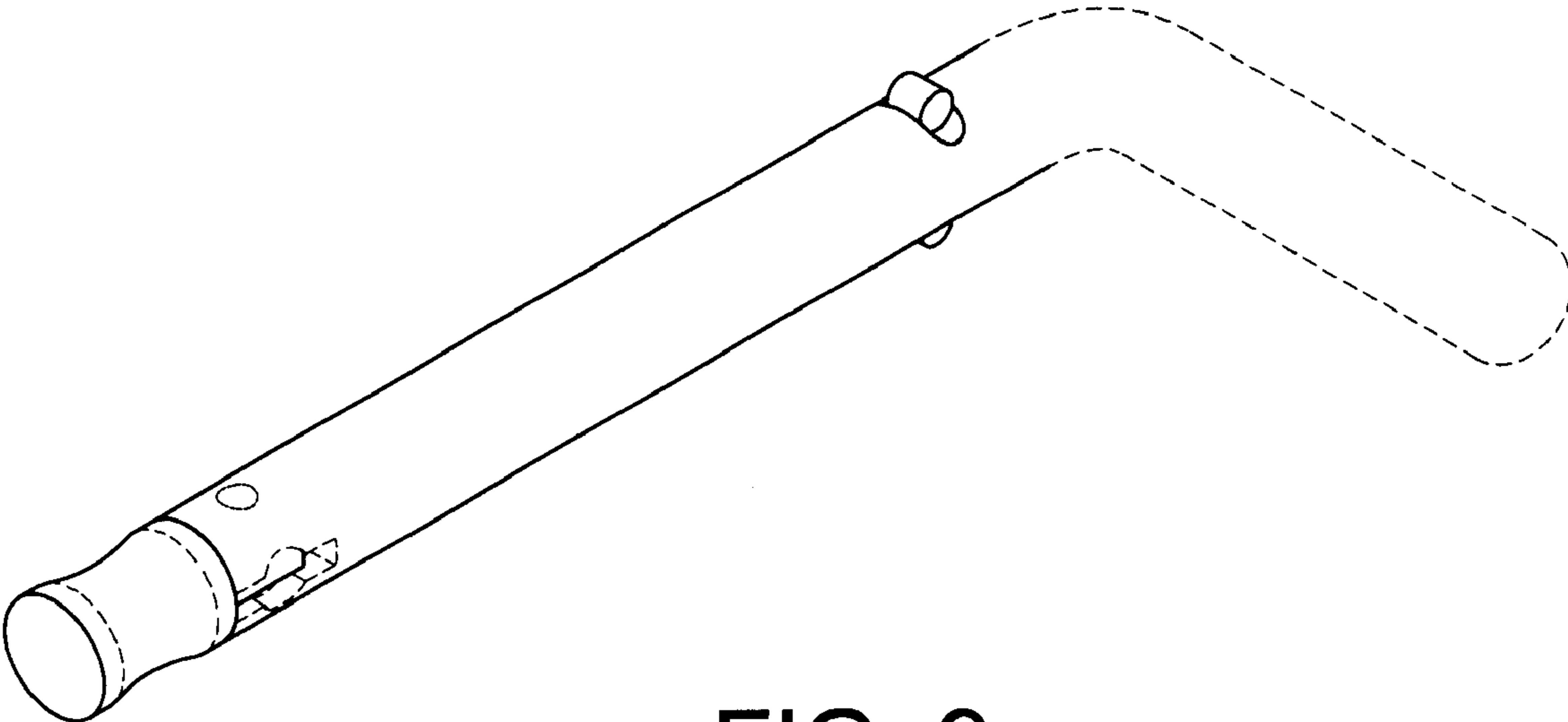


FIG. 9

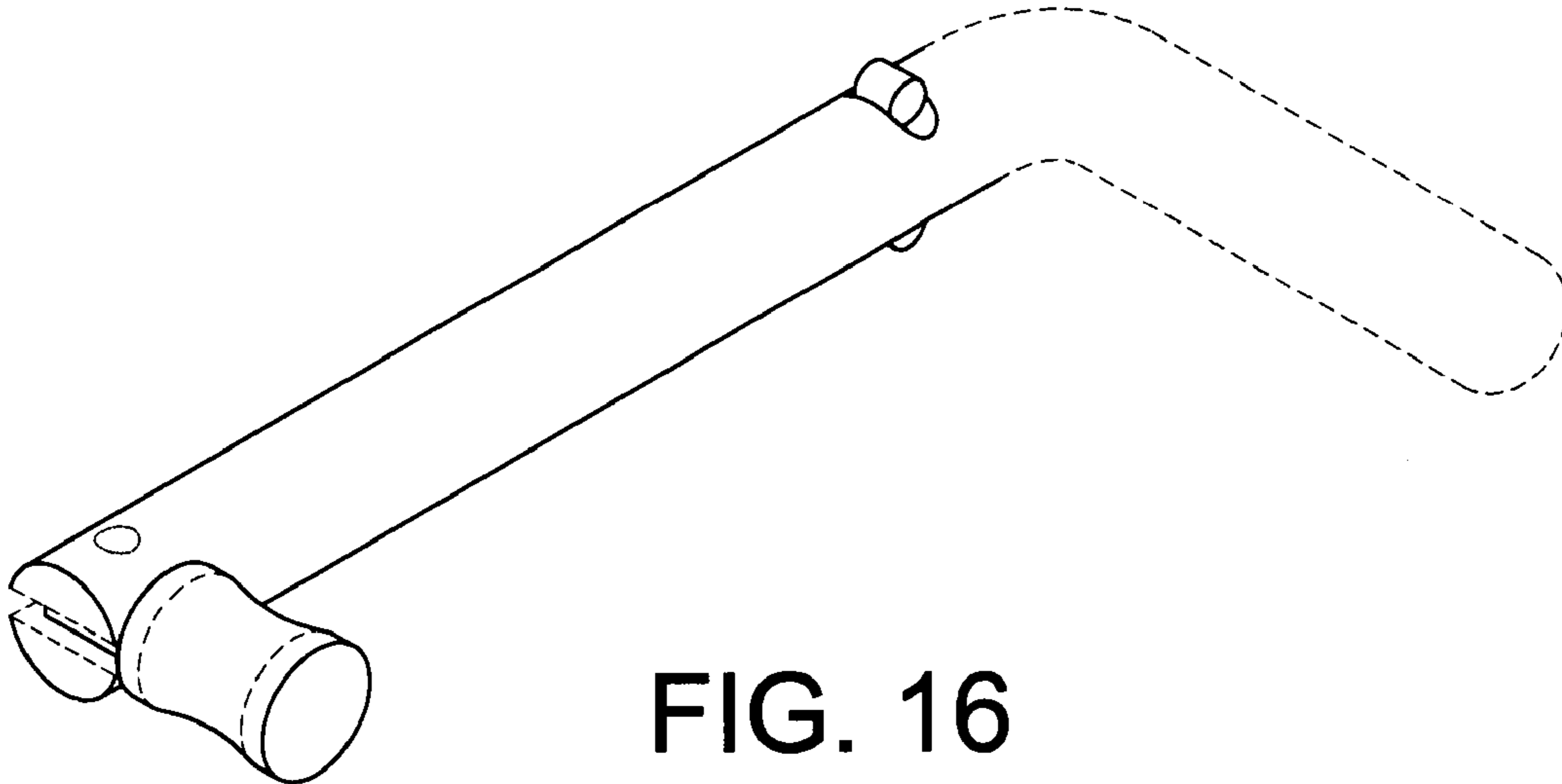


FIG. 16

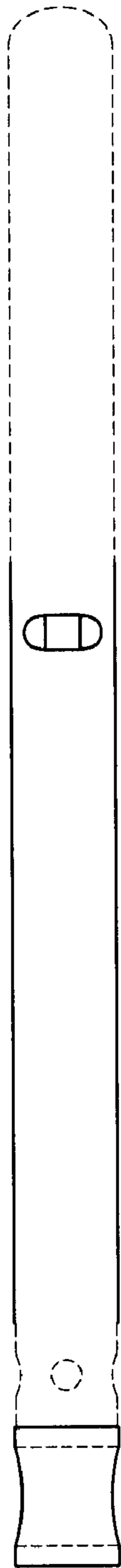


FIG. 10

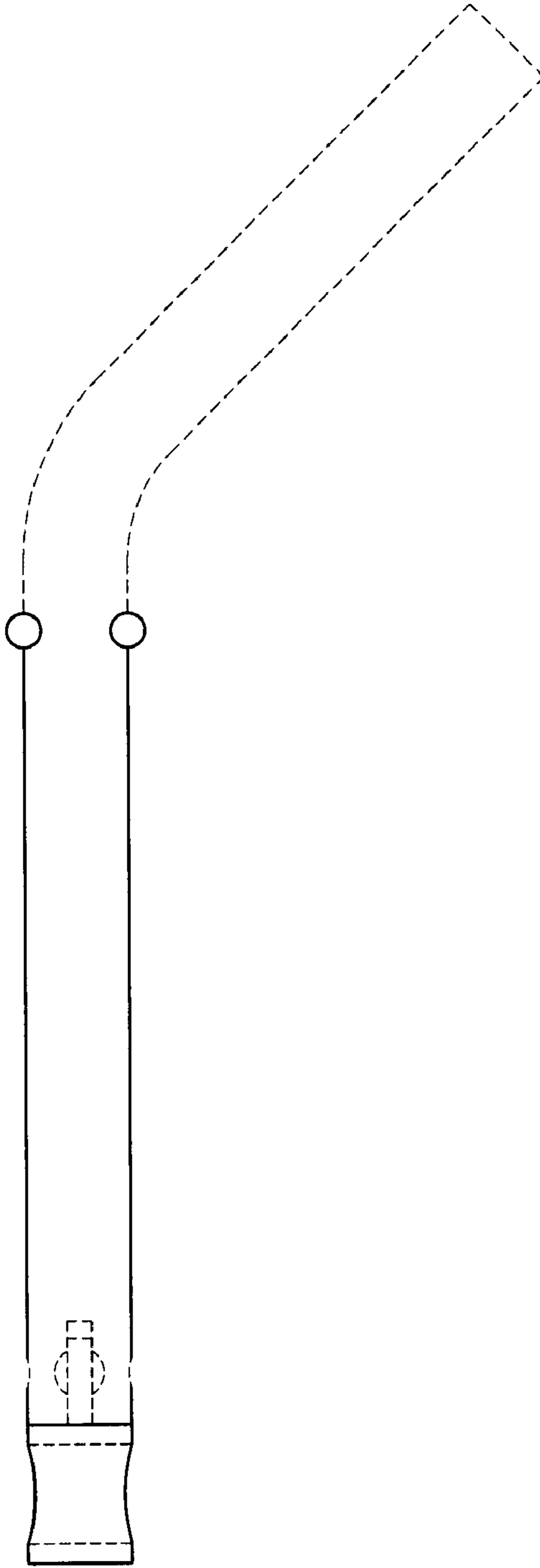


FIG. 11

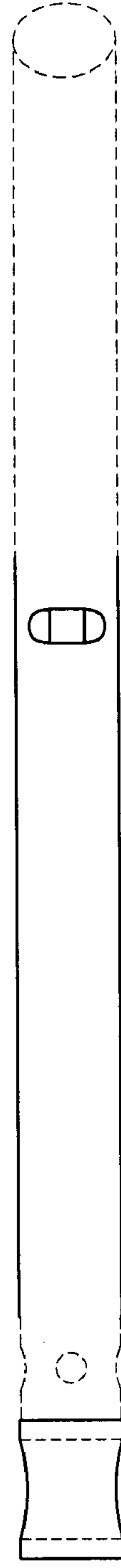


FIG. 12

FIG. 13



FIG. 14

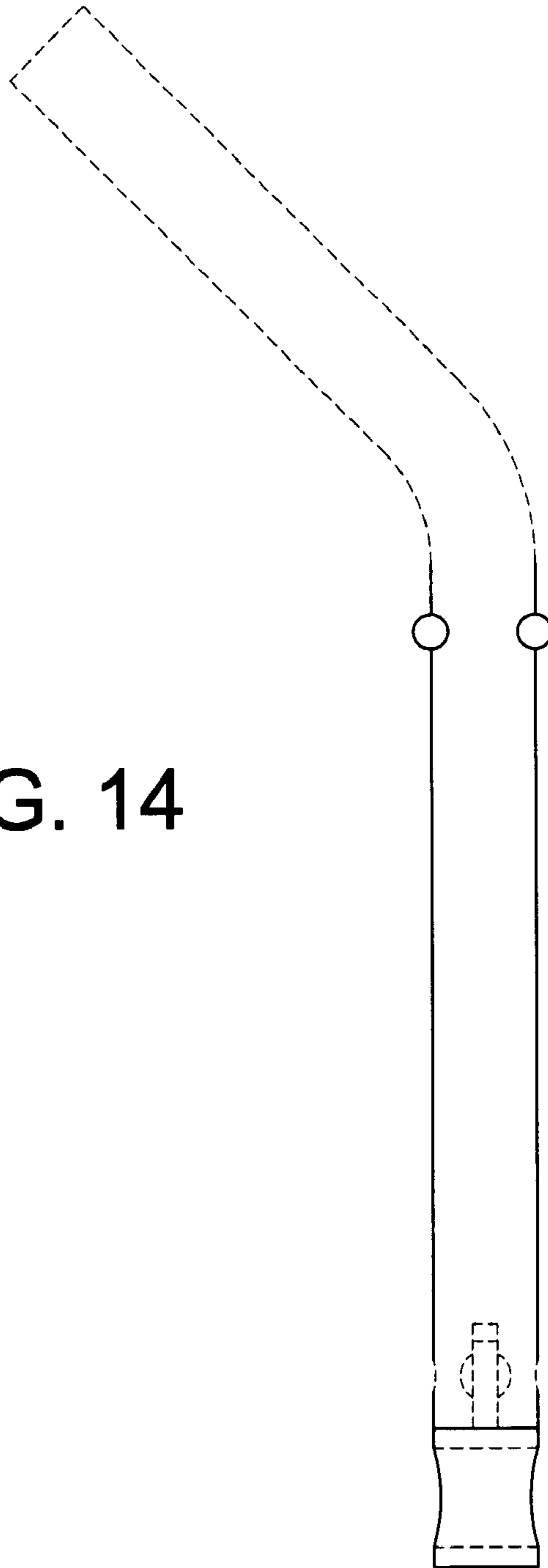


FIG. 15





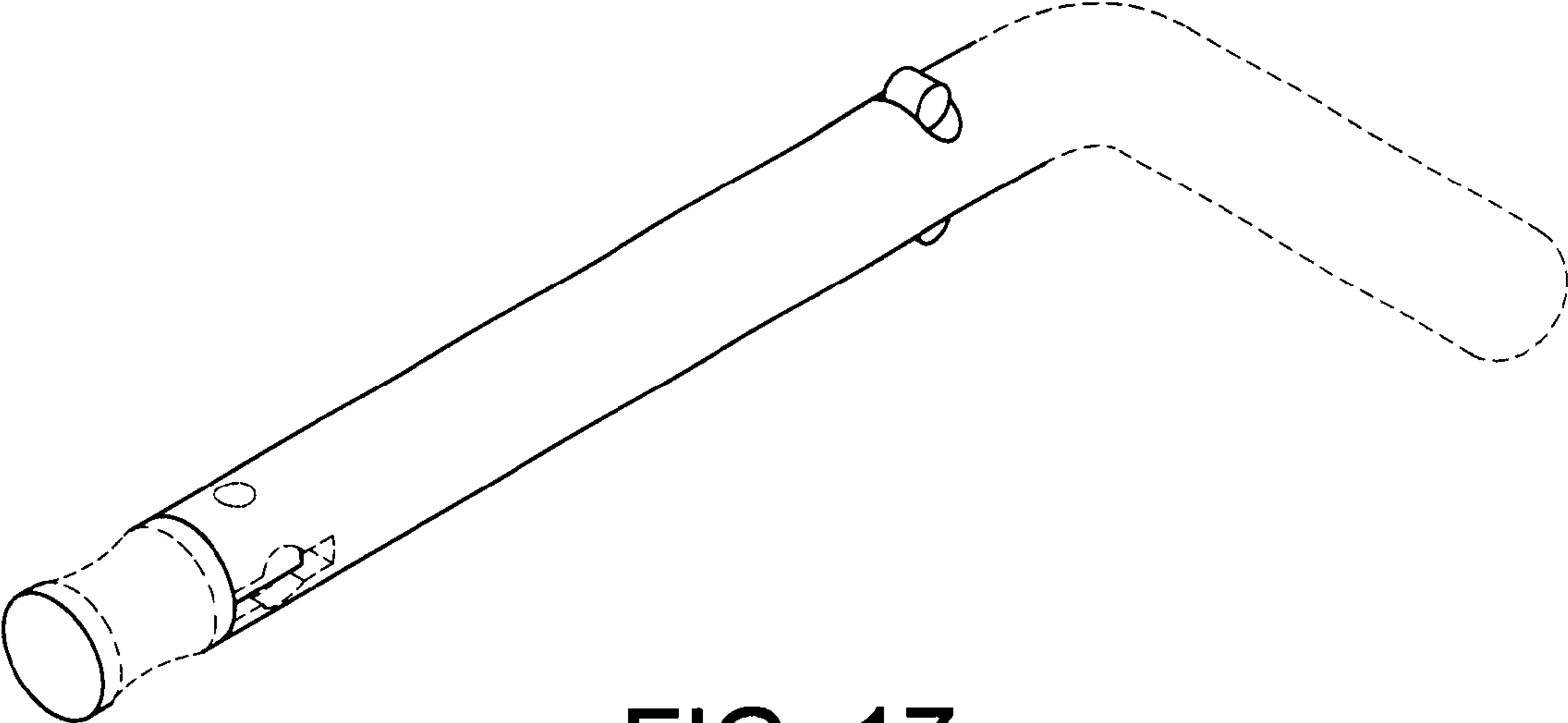


FIG. 17

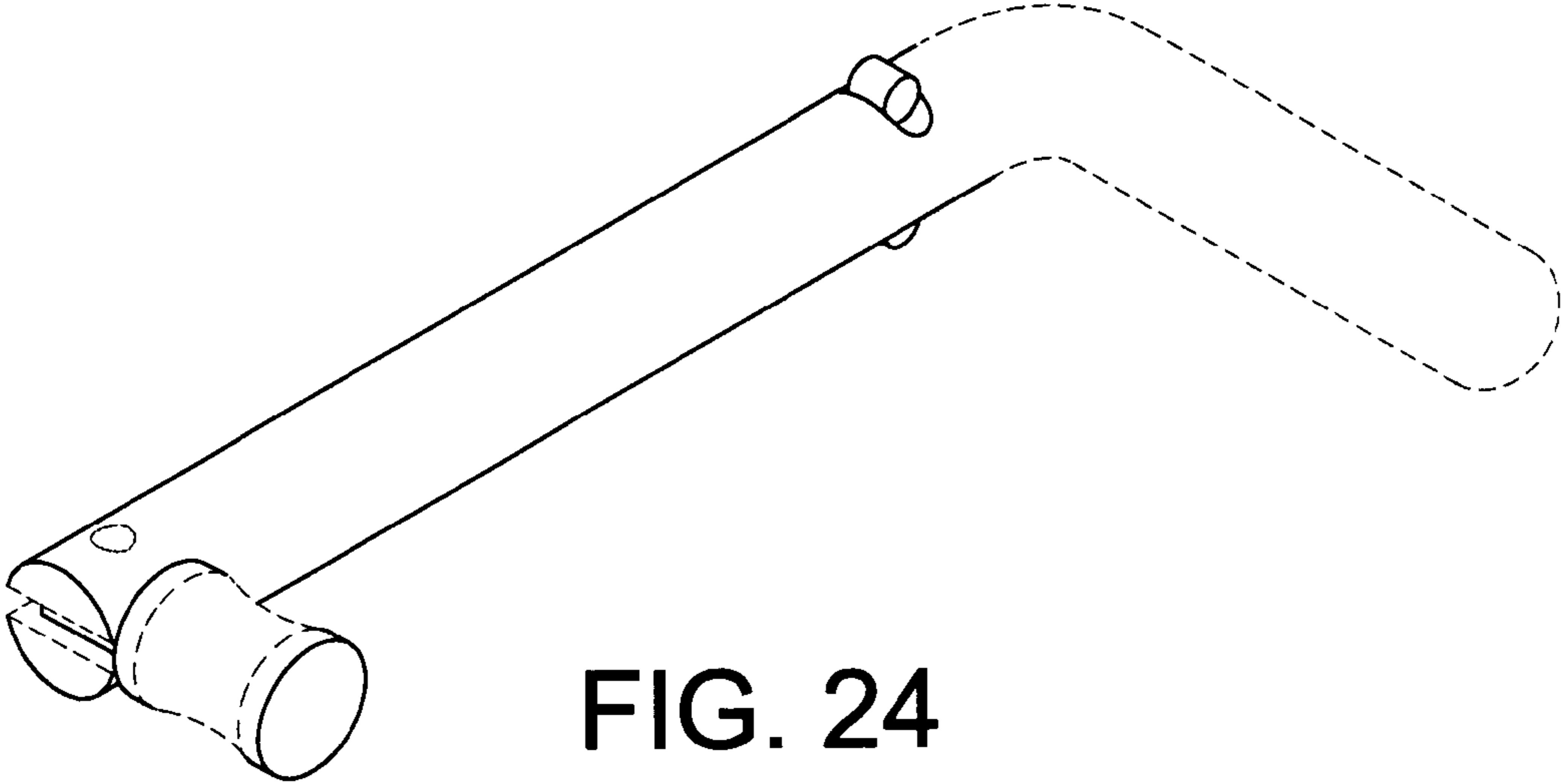


FIG. 24

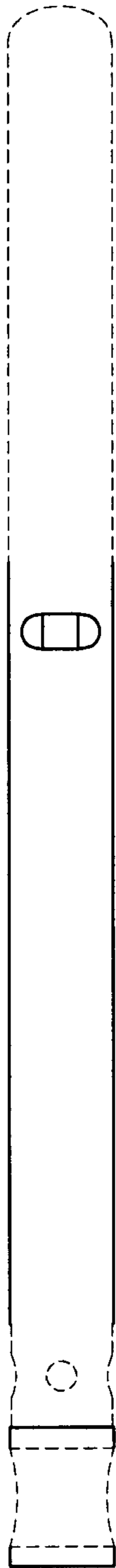


FIG. 18

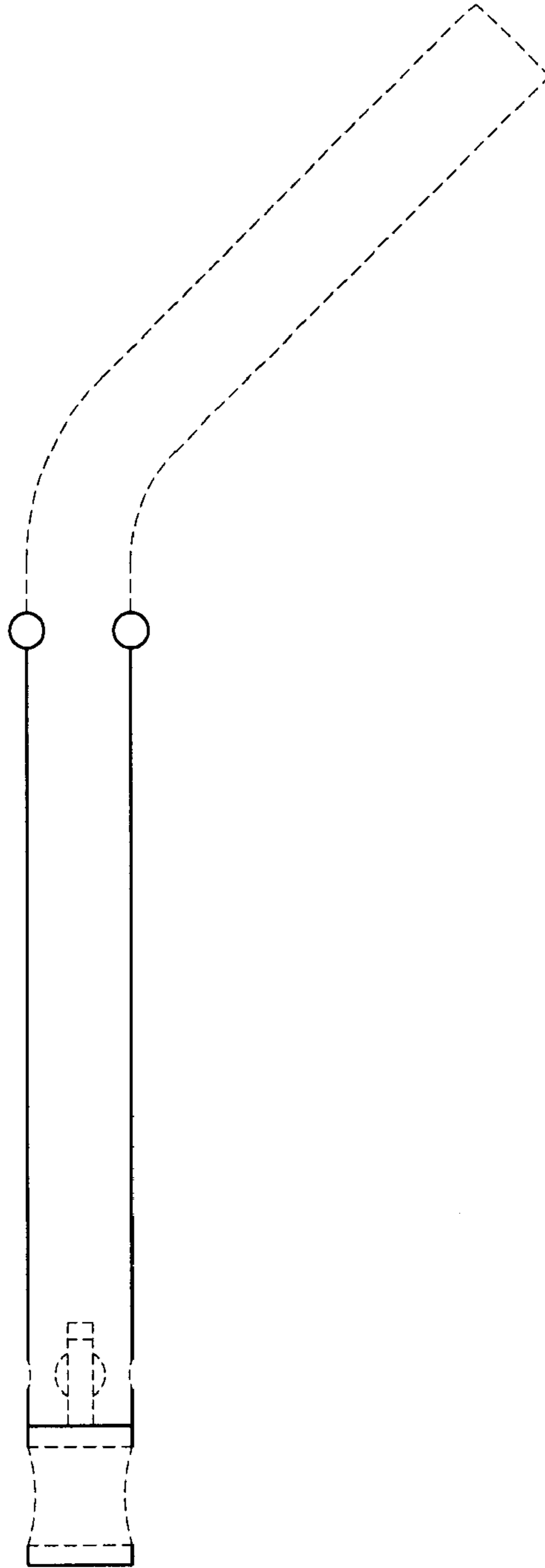


FIG. 19



FIG. 20

FIG. 21



FIG. 22

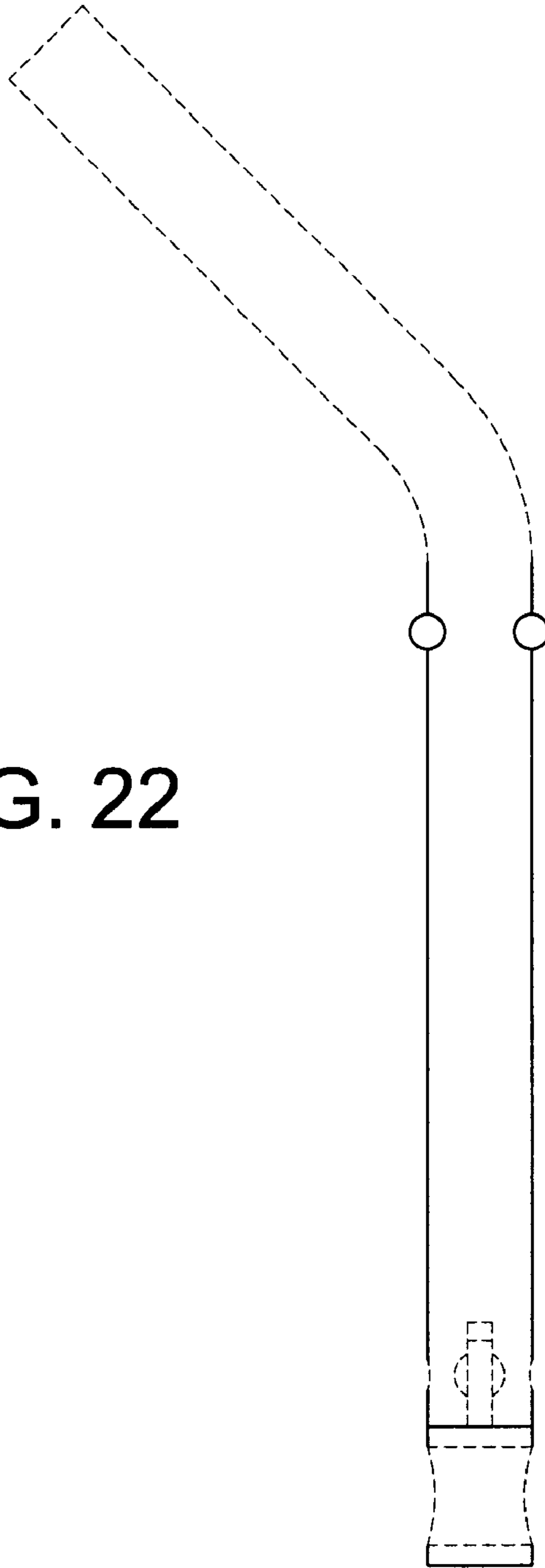


FIG. 23



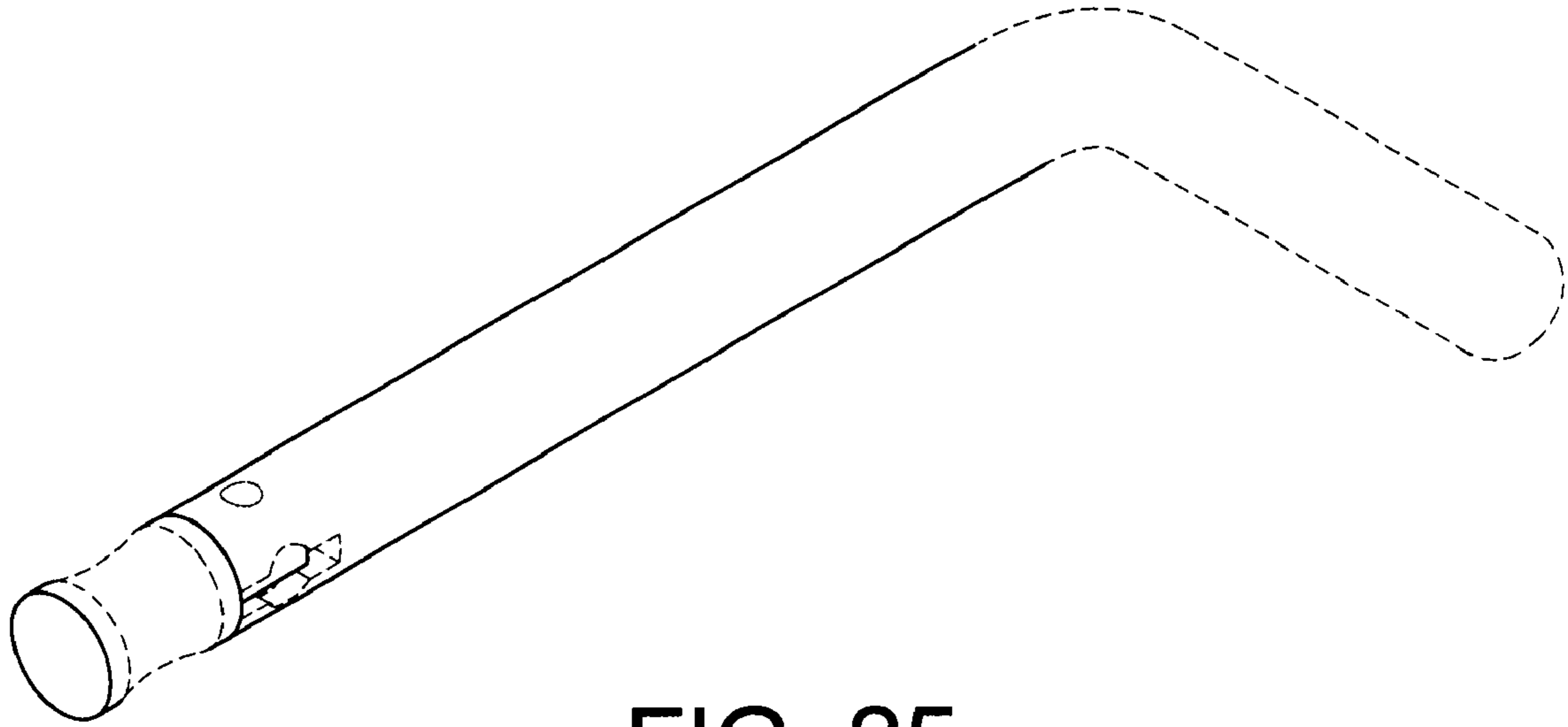


FIG. 25

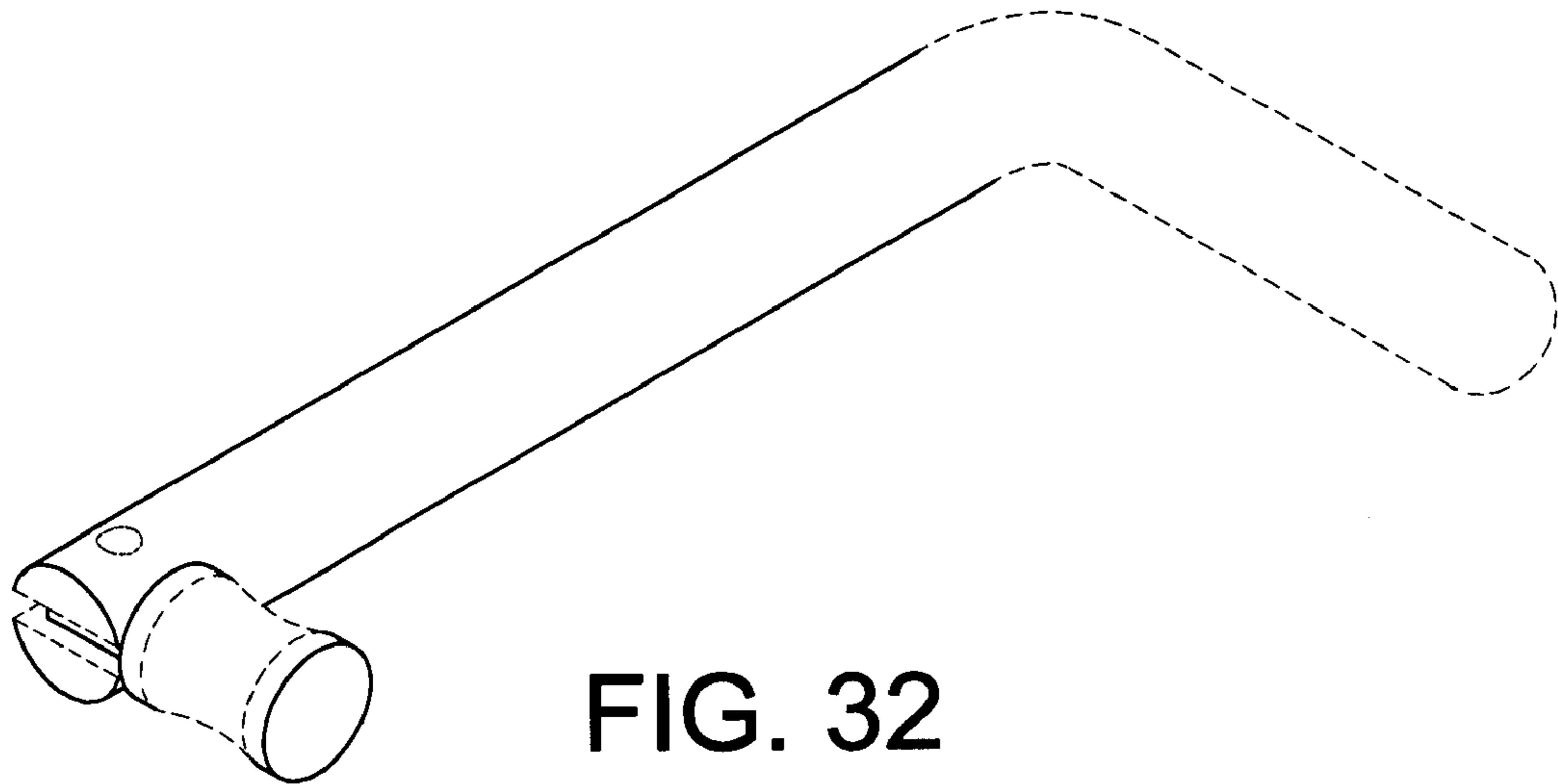


FIG. 32

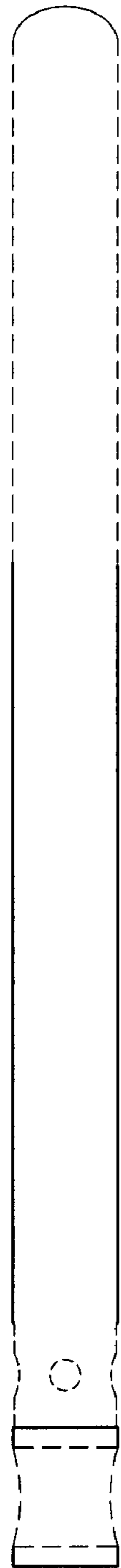


FIG. 26

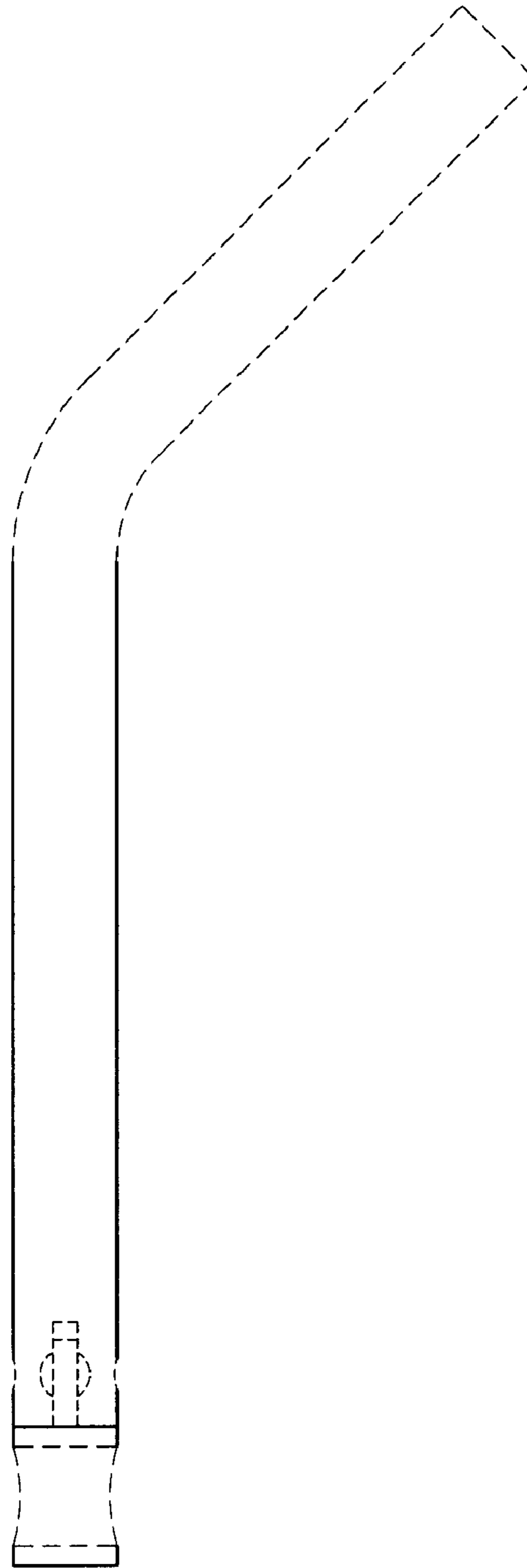


FIG. 27

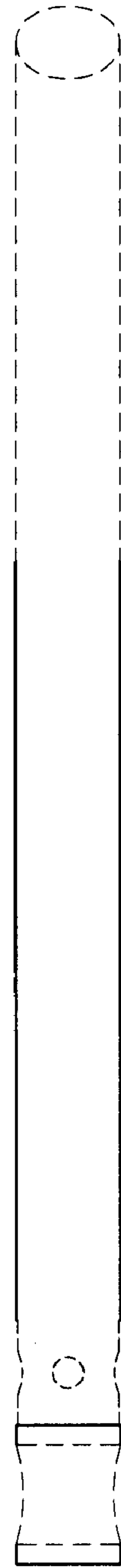
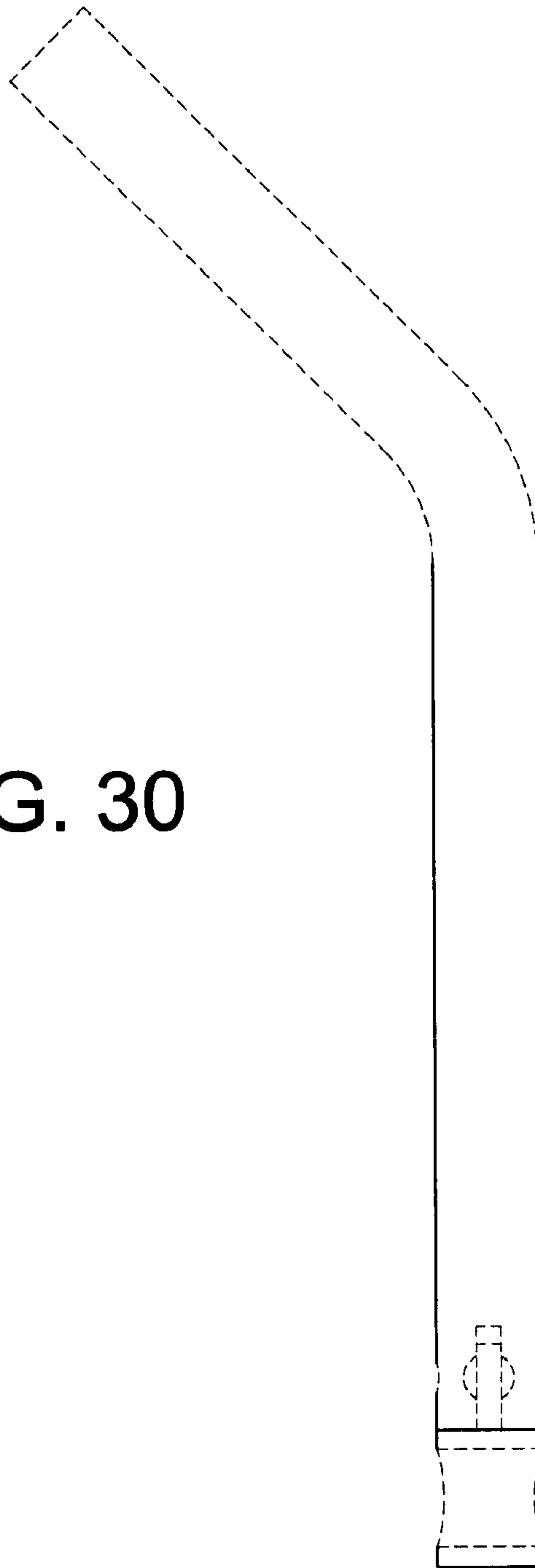


FIG. 28

**FIG. 29**



**FIG. 30**



**FIG. 31**

