

US00D524143S

(12) **United States Design Patent**
Finkelstein

(10) **Patent No.:** **US D524,143 S**
(45) **Date of Patent:** **** Jul. 4, 2006**

- (54) **FREEZER DOORLOCK**
- (75) Inventor: **Burl Finkelstein**, Newnan, GA (US)
- (73) Assignee: **Kason Industries, Inc.**, Shenandoah, GA (US)
- (**) Term: **14 Years**
- (21) Appl. No.: **29/224,867**
- (22) Filed: **Mar. 7, 2005**

Related U.S. Application Data

- (63) Continuation-in-part of application No. 10/045,373, filed on Jan. 15, 2002, now Pat. No. 6,877,346.
- (51) **LOC (8) Cl.** **08-07**
- (52) **U.S. Cl.** **D8/331**
- (58) **Field of Classification Search** D8/330, D8/331, 301, 302, 307, 341, 344; 70/224, 70/139, 129, 207, 212, 215, 51, 57, 92, 141; 292/221, 92, 148, DIG. 71, DIG. 65, DIG. 30
See application file for complete search history.

References Cited

U.S. PATENT DOCUMENTS

1,916,848 A	7/1933	North	
2,001,740 A	5/1935	McPherson	
2,033,079 A	* 3/1936	Lohrs	292/2
2,153,819 A	4/1939	Voorhees	
2,193,488 A	3/1940	Morley et al.	
2,265,691 A	12/1941	Hogg	
3,465,557 A	9/1969	Ryder	
3,599,453 A	* 8/1971	Bauernfeind	70/129
3,652,113 A	3/1972	Odend'hal et al.	292/216
3,678,716 A	7/1972	Cobb	70/92
4,099,754 A	7/1978	Hoebing	292/206
4,203,622 A	5/1980	Cook et al.	292/221
D256,429 S	* 8/1980	Best et al.	D8/341

4,280,725 A	* 7/1981	Berkowitz et al.	292/223
4,341,408 A	7/1982	Blevins	292/150
4,475,364 A	10/1984	Frank	70/139
4,530,532 A	* 7/1985	Fujiya	292/341.15
4,613,176 A	9/1986	Kelly	292/201
4,635,977 A	* 1/1987	Yamada	292/92
4,669,282 A	6/1987	Hoyt et al.	70/129
D299,487 S	* 1/1989	Takimoto	D8/341
5,152,564 A	10/1992	Martineau	292/288
5,456,505 A	10/1995	Yamada	292/202
D365,744 S	* 1/1996	Leung	D8/331
5,490,697 A	2/1996	Surko, Jr.	292/92
5,582,443 A	12/1996	Finkelstein et al.	292/202
D396,628 S	* 8/1998	Blanch	D8/341
5,791,180 A	* 8/1998	Ha	70/337
D414,397 S	* 9/1999	Finkelstein et al.	D8/331
6,112,471 A	9/2000	Welch et al.	49/503
6,354,119 B1	3/2002	Molzer	70/210
6,526,788 B1	3/2003	Finkelstein et al.	70/129
D495,235 S	* 8/2004	Burrows	D8/341

* cited by examiner

Primary Examiner—Prabhakar Deshmukh
(74) *Attorney, Agent, or Firm*—Baker Donelson

(57) **CLAIM**

The ornamental design for a freezer doorlock, as shown and described.

DESCRIPTION

FIG. 1 is an exploded perspective view of a freezer doorlock showing my new design.
FIG. 2 is an exploded rear view thereof.
FIG. 3 is an exploded front view thereof.
FIG. 4 is an exploded top view thereof.
FIG. 5 is an exploded bottom view thereof.
FIG. 6 is an exploded left side view thereof; and,
FIG. 7 is an exploded right side view thereof.

1 Claim, 4 Drawing Sheets

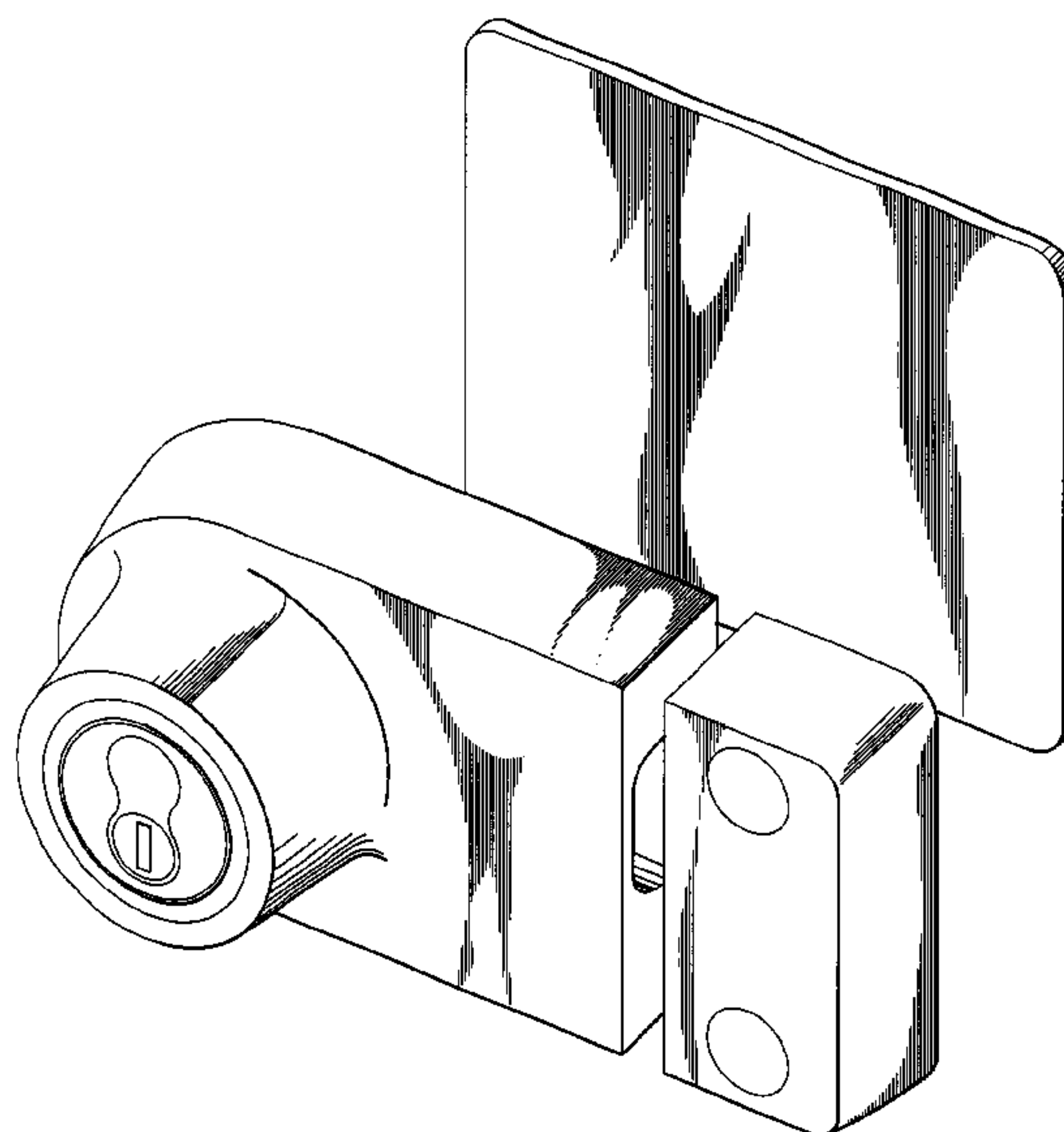


Fig. 1

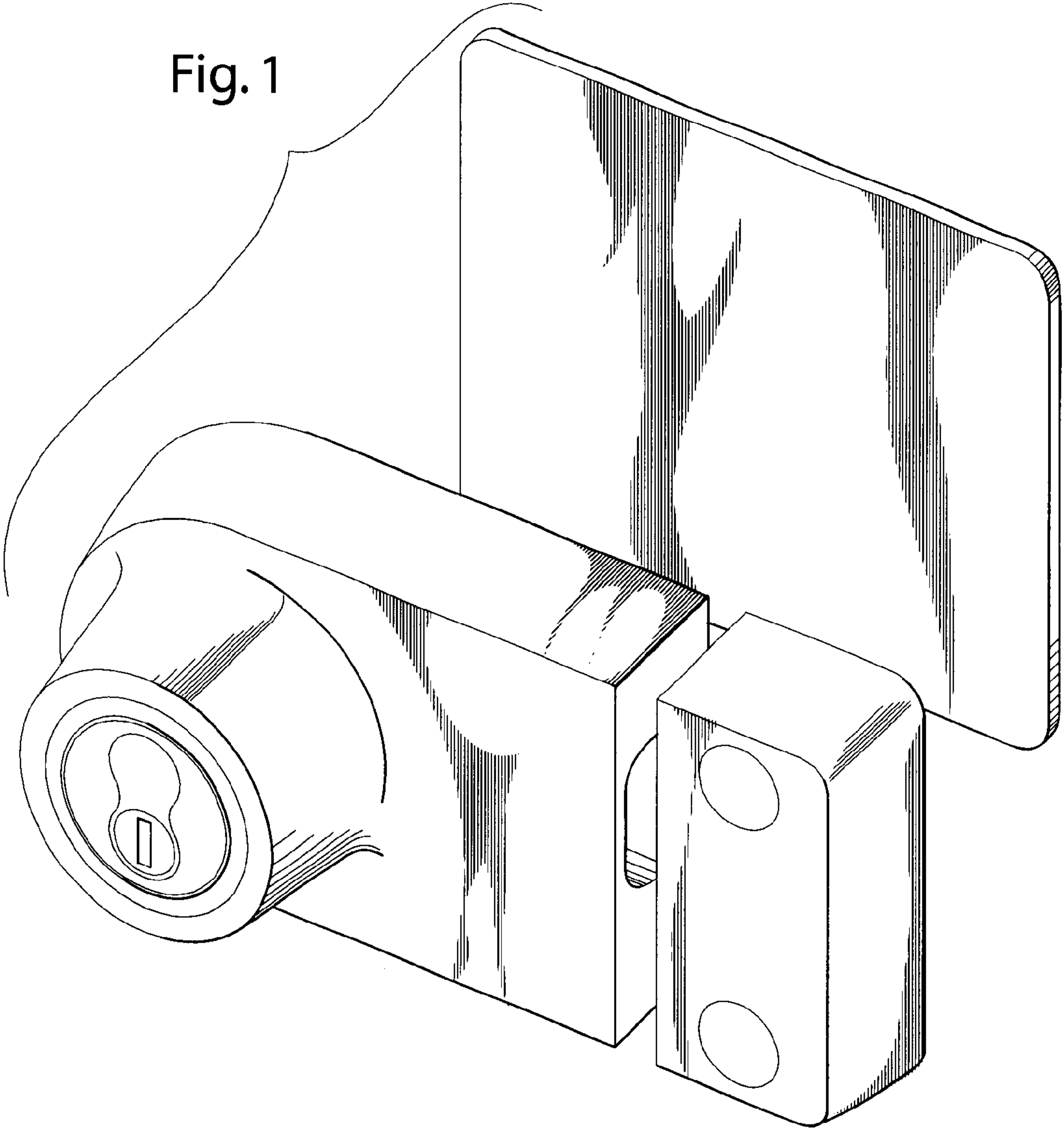


Fig. 2

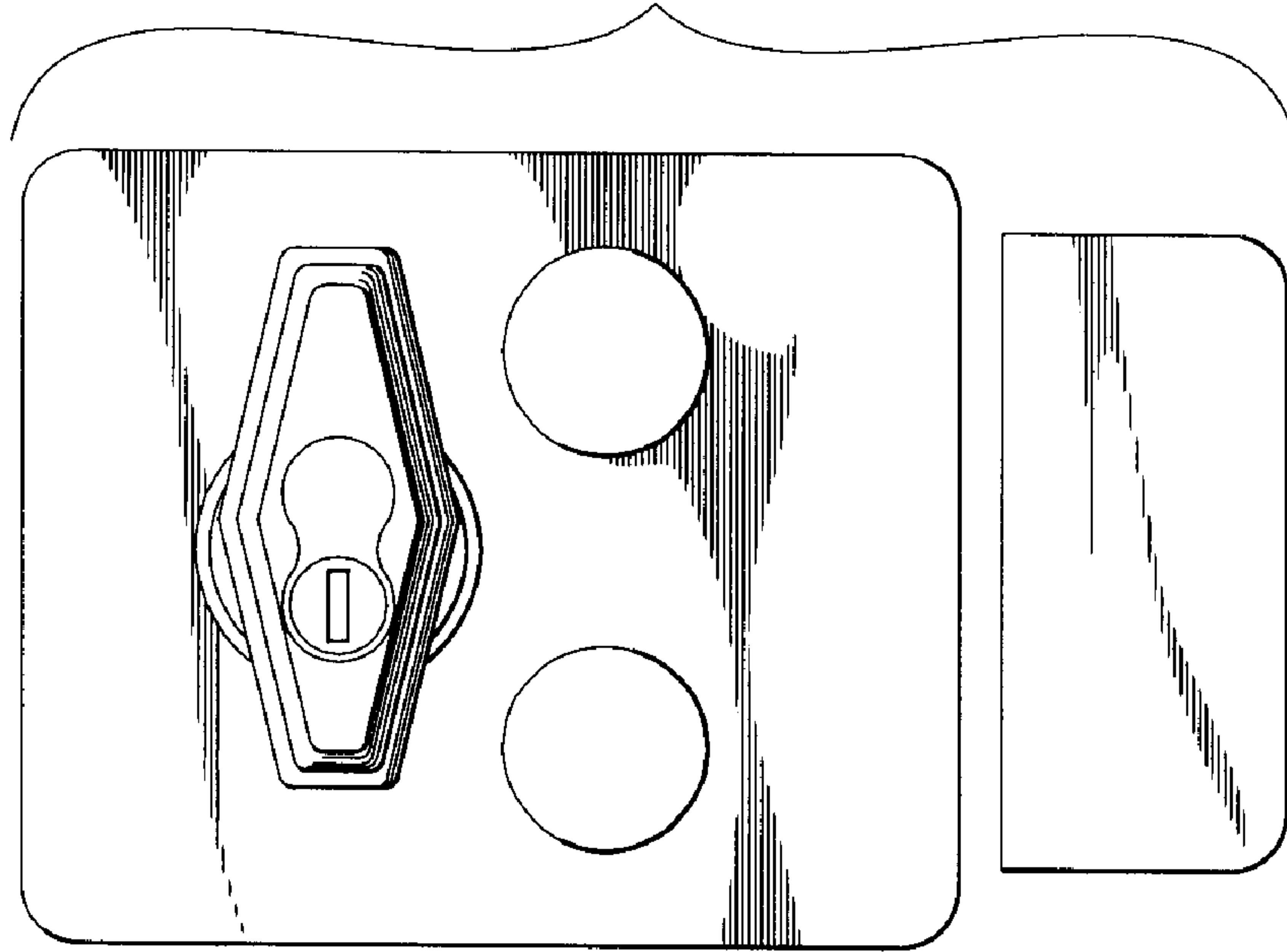


Fig. 3

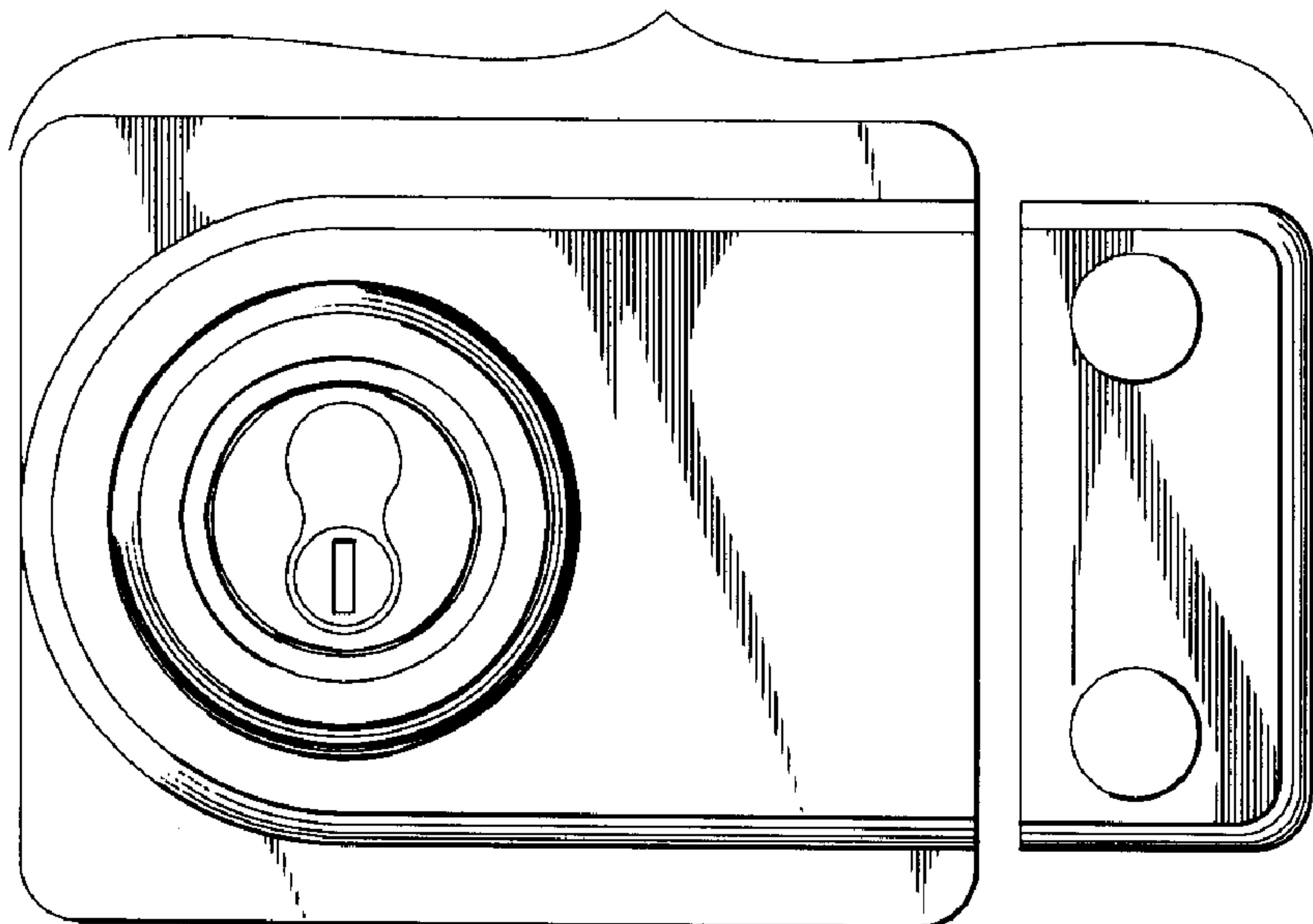


Fig. 5

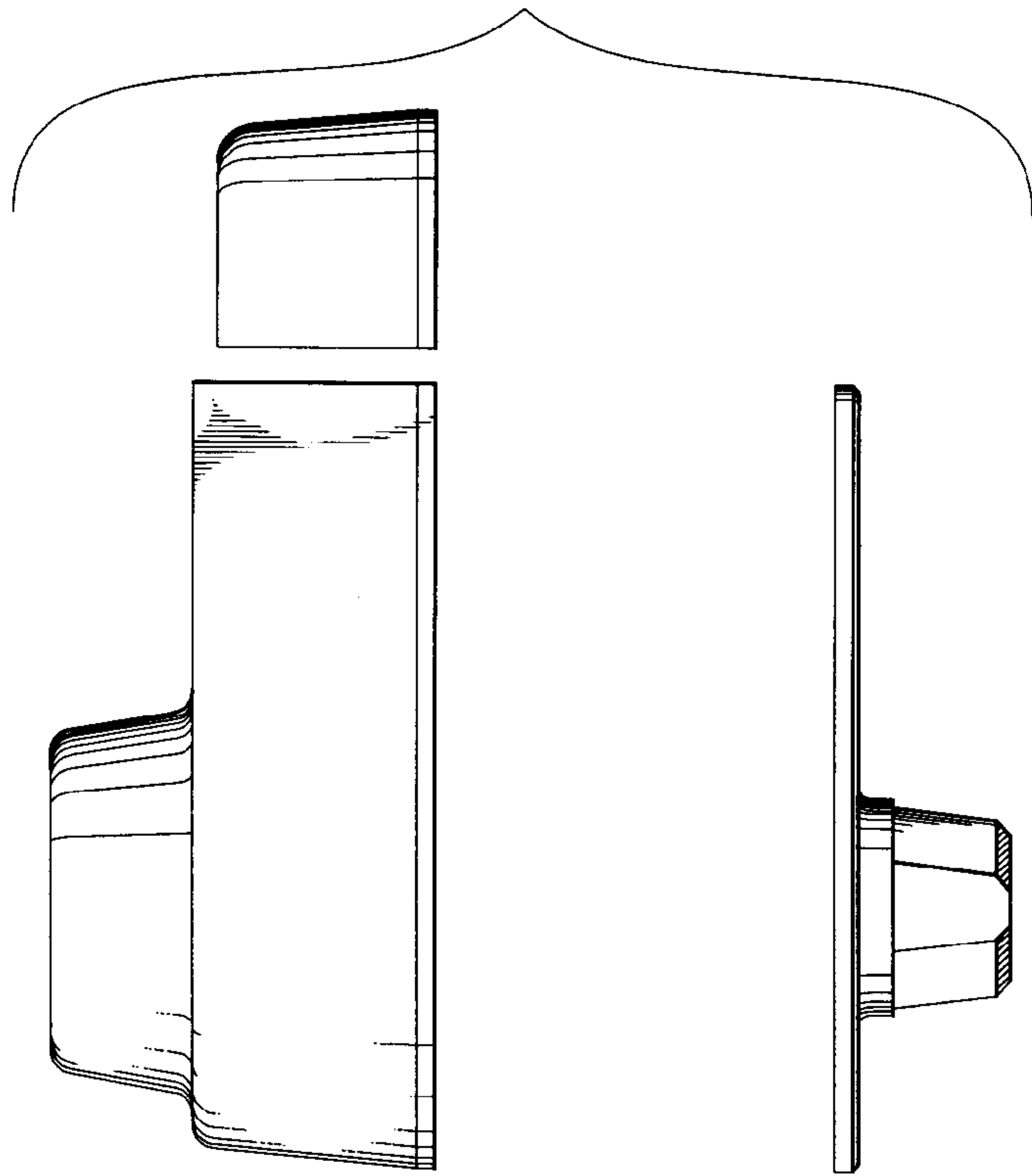


Fig. 4

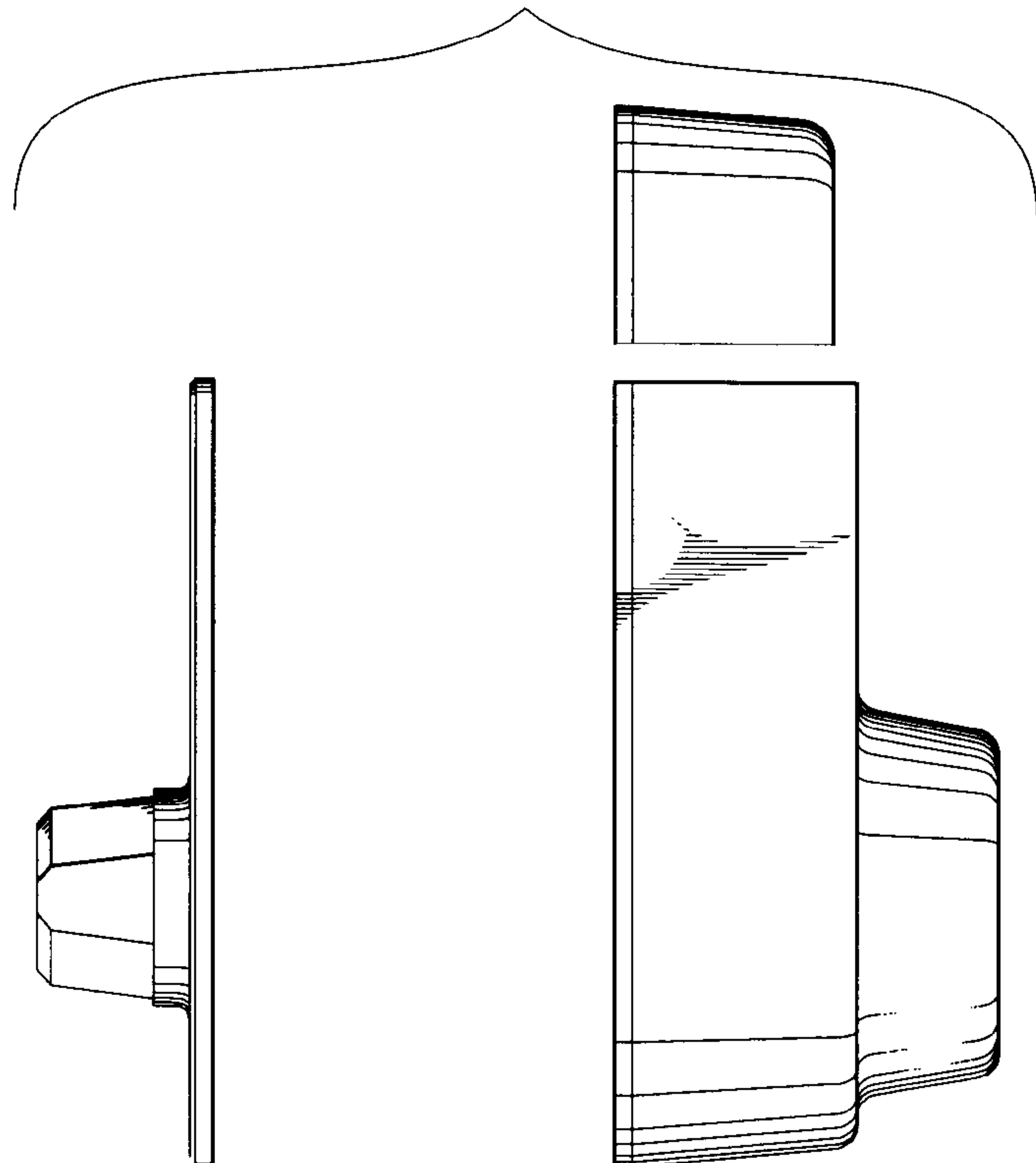


Fig. 6

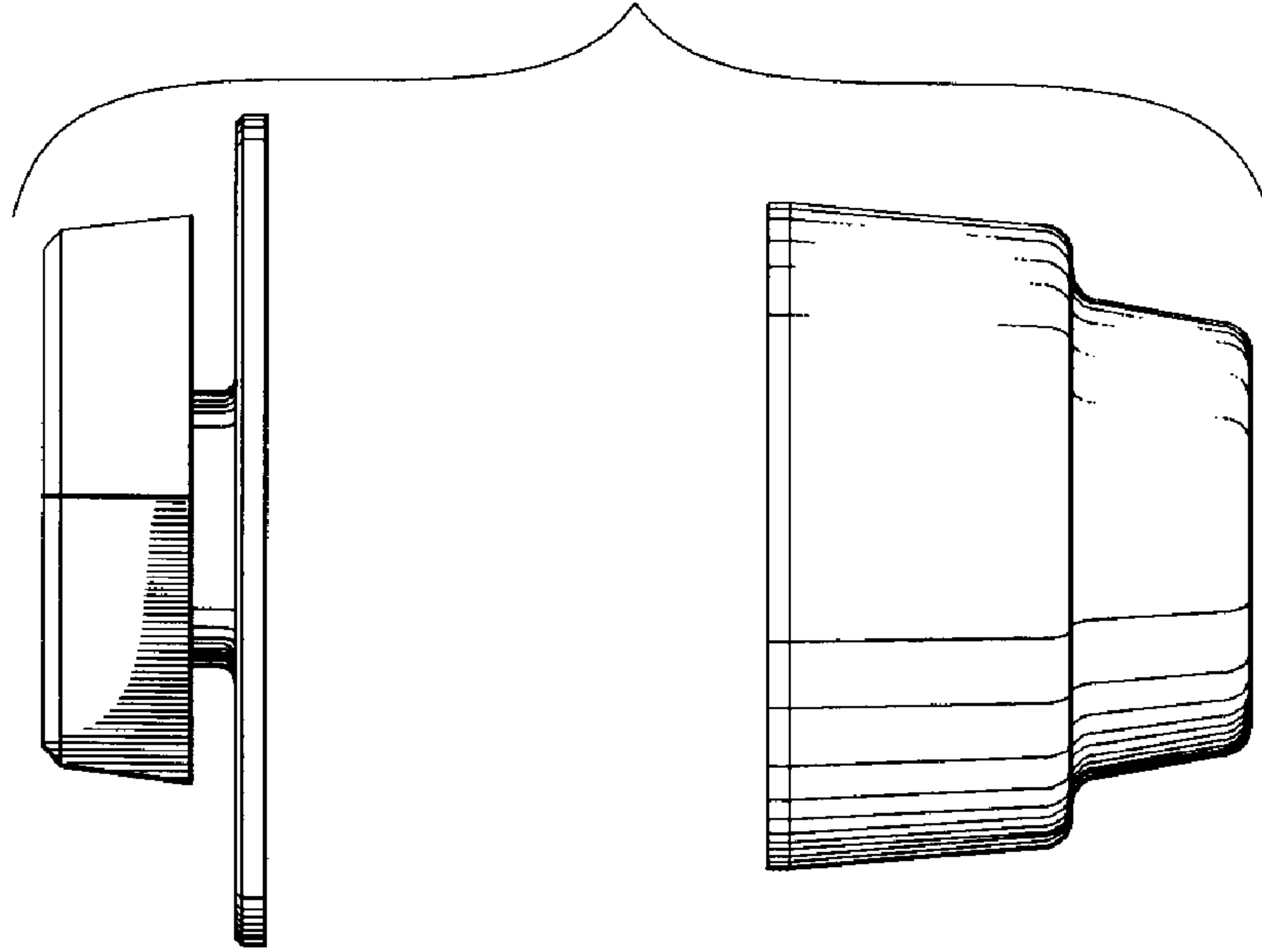


Fig. 7

