



US00D524142S

(12) **United States Design Patent**
Recknagel et al.

(10) **Patent No.:** **US D524,142 S**
(45) **Date of Patent:** **** Jul. 4, 2006**

(54) **RECEIVER LOCK**
(75) Inventors: **Jim Recknagel**, Delafield, WI (US);
Ken Burmesch, Washington, WI (US);
John Zapushek, Racine, WI (US)
(73) Assignee: **Master Lock Company**, Milwaukee,
WI (US)
(**) **Term:** **14 Years**
(21) **Appl. No.:** **29/189,405**
(22) **Filed:** **Sep. 4, 2003**
(51) **LOC (8) Cl.** **08-07**
(52) **U.S. Cl.** **D8/331; D8/343**
(58) **Field of Classification Search** D8/330.331,
D8/334, 336, 338, 383.343, 345, 349, 400;
70/14, 20, 26, 23, 312, 315, 31-34, 51, 52,
70/224, 448, 229-232

4,226,100 A 10/1980 Hampton et al.
4,236,395 A 12/1980 Avaiusini
4,277,961 A 7/1981 Williams
4,298,212 A 11/1981 Jamison
4,438,642 A 3/1984 De Jong
4,440,005 A 4/1984 Bulle
4,576,021 A 3/1986 Holden
4,619,122 A 10/1986 Simpson
4,637,234 A 1/1987 Mielonen
4,711,106 A 12/1987 Johnson
4,730,468 A 3/1988 Becker
4,732,019 A * 3/1988 Tolar 70/203
D295,719 S * 5/1988 DeLuca et al. D8/331
4,888,967 A 12/1989 Kuo
4,918,949 A * 4/1990 Newbold 70/38 A
4,964,285 A 10/1990 Lakoski et al.
5,004,133 A 4/1991 Wyers
5,022,243 A 6/1991 Embry et al.
5,027,630 A 7/1991 Stillwagon et al.
5,050,413 A 9/1991 Stillwagon et al.
5,063,763 A 11/1991 Johnson
5,142,888 A * 9/1992 Ling 70/26

See application file for complete search history.

(Continued)

(56) **References Cited**
U.S. PATENT DOCUMENTS

1,566,473 A 12/1925 Gibson
1,667,254 A * 4/1928 Hedrich 70/46
2,541,638 A 2/1951 Clevert
2,677,261 A 5/1954 Jacobi
3,176,007 A 3/1965 Tushhoff
3,197,239 A 7/1965 Jezek, Jr.
3,453,846 A 7/1969 Owen et al.
3,559,429 A 2/1971 Hermann
3,652,114 A 3/1972 Cady et al.
3,673,910 A 7/1972 Collister
3,721,112 A 3/1973 Wellekens
3,783,657 A 1/1974 Foote
3,843,160 A 10/1974 Frushour et al.
3,861,267 A 1/1975 Collister
3,902,339 A 9/1975 Carley et al.
3,908,415 A 9/1975 Foote
3,911,761 A 10/1975 Cornellier
3,963,264 A 6/1976 Down
3,999,414 A 12/1976 Leitner
4,141,232 A 2/1979 Kelly
4,198,026 A 4/1980 Capolupo

Primary Examiner—Prabhaker Deshmukh
(74) *Attorney, Agent, or Firm*—Calfee, Halter & Griswold
LLP

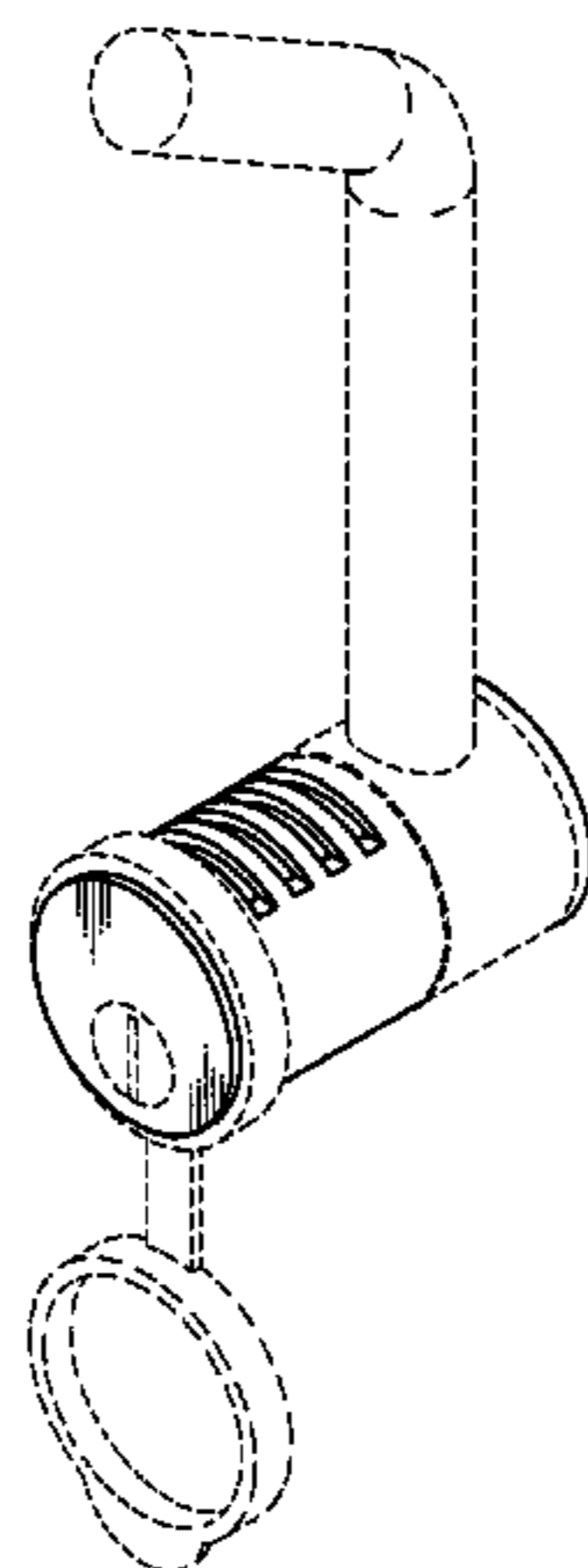
(57) **CLAIM**

The ornamental design for a receiver lock, as shown and described.

DESCRIPTION

FIG. 1 is a perspective view of the design of the present application;
FIG. 2 is a top view of the lock shown in FIG. 1;
FIG. 3 is a bottom view of the lock shown in FIG. 1;
FIG. 4 is a front view of the lock shown in FIG. 1;
FIG. 5 is a side view of the lock shown in FIG. 1; and,
FIG. 6 is a back view of the lock shown in FIG. 1.
The broken lines are for illustration purposes only and form no part of the claim design. The broken lines, which define the boundaries of the claimed design, form no part thereof.

1 Claim, 2 Drawing Sheets



US D524,142 S

Page 2

U.S. PATENT DOCUMENTS

5,152,160 A	10/1992	Lentini	5,794,465 A	8/1998	Hill	
5,197,314 A	3/1993	Stillwagon et al.	D401,131 S	* 11/1998	Miyamoto et al.	D8/98
5,216,903 A	6/1993	Chen	6,055,832 A	5/2000	Wyers	
5,269,161 A	12/1993	Stillwagon	D428,795 S	8/2000	Wyers	
5,272,894 A	12/1993	Stillwagon et al.	6,145,866 A	11/2000	Peter	
5,284,038 A	2/1994	Johnson	D439,827 S	4/2001	Wyers	
5,437,515 A	8/1995	Kuramoto	D444,050 S	6/2001	Wyers	
5,447,045 A	9/1995	Cheng	D447,043 S	8/2001	Wyers	
5,467,619 A	11/1995	Stillwagon et al.	D454,293 S	* 3/2002	Bremicker	D8/334
5,507,611 A	4/1996	Collister	6,409,283 B1	6/2002	Hsieh	
5,540,065 A	7/1996	Wyers	6,412,315 B1	* 7/2002	Cheng et al.	70/34
5,664,445 A	9/1997	Chang	D461,392 S	8/2002	Zapushek	
5,676,258 A	10/1997	Leyden et al.	D488,701 S	* 4/2004	Vito	D8/343

* cited by examiner

FIG. 1

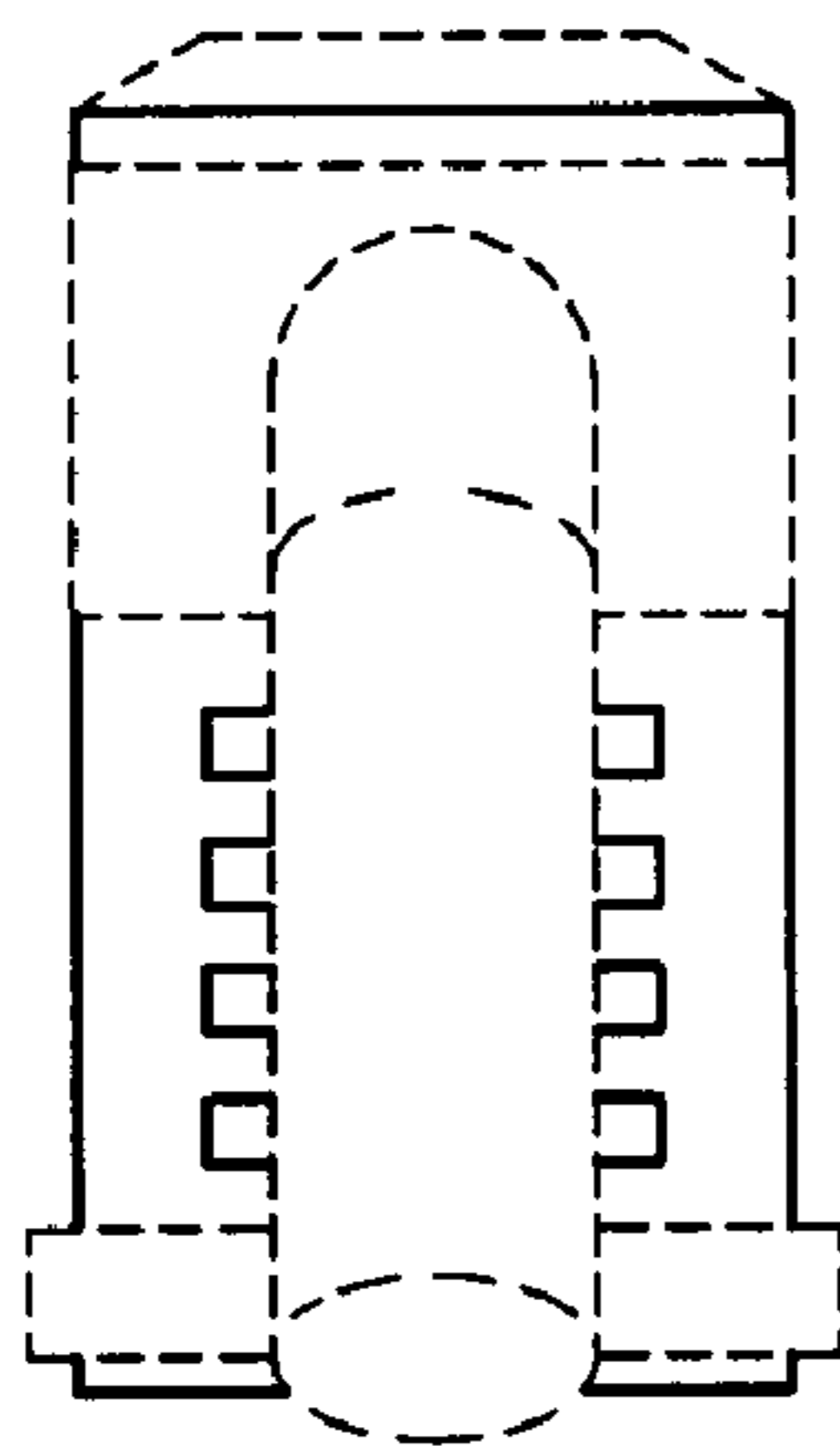
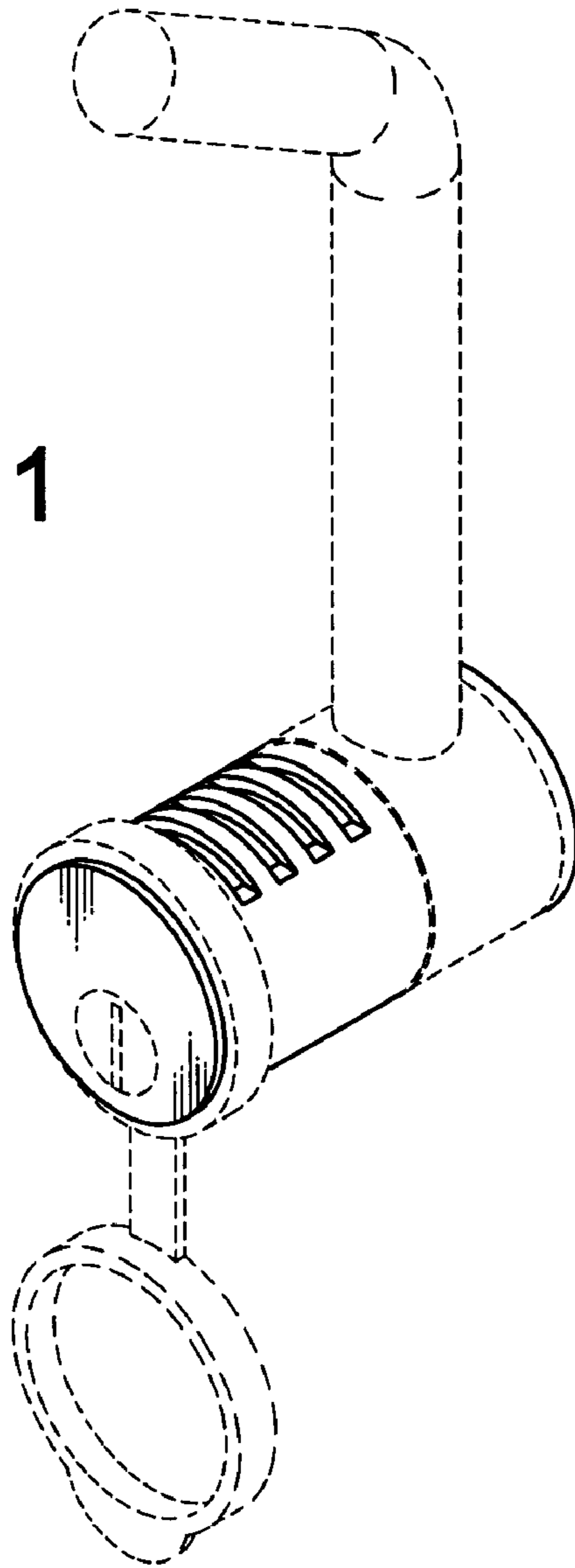


FIG. 2

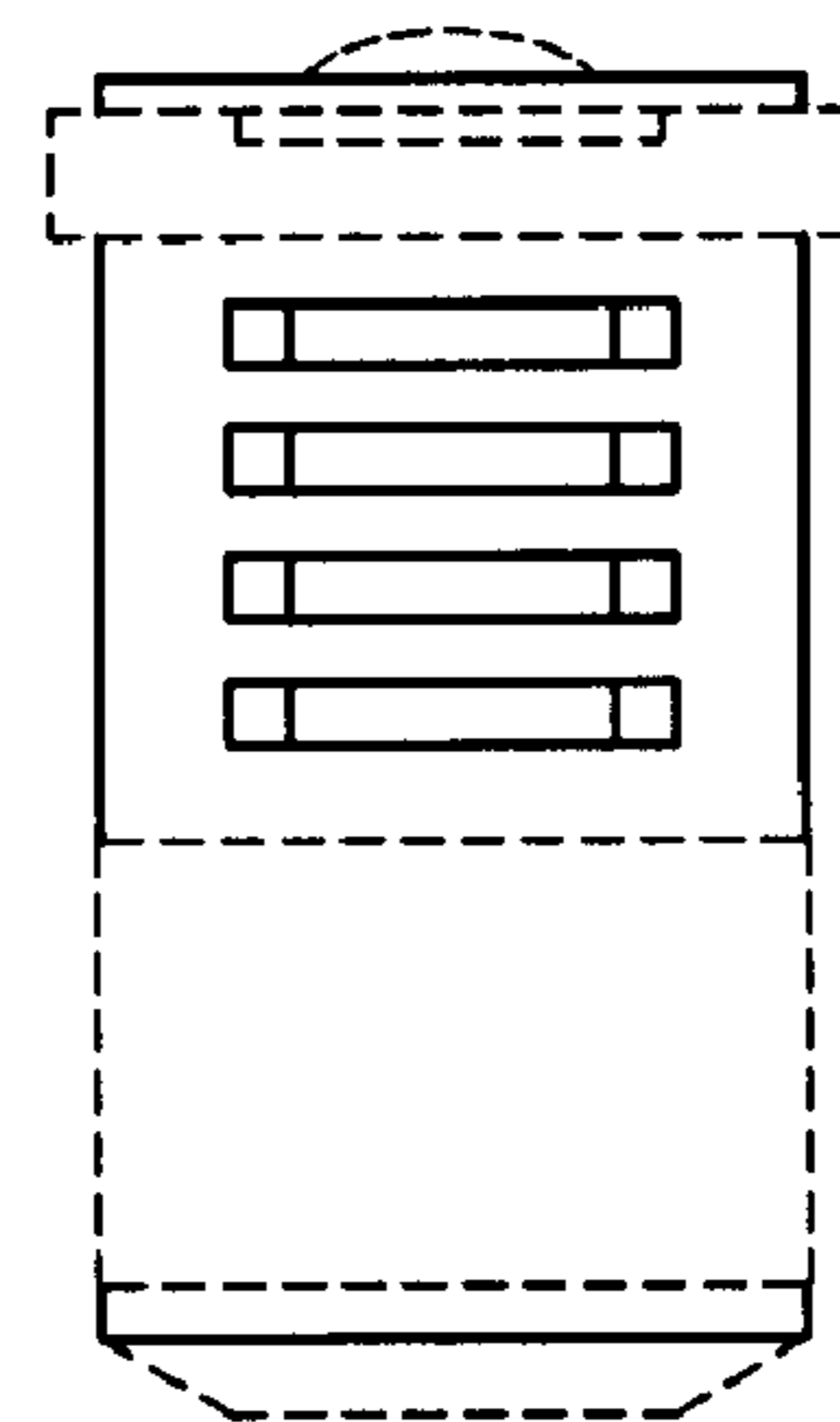


FIG. 3

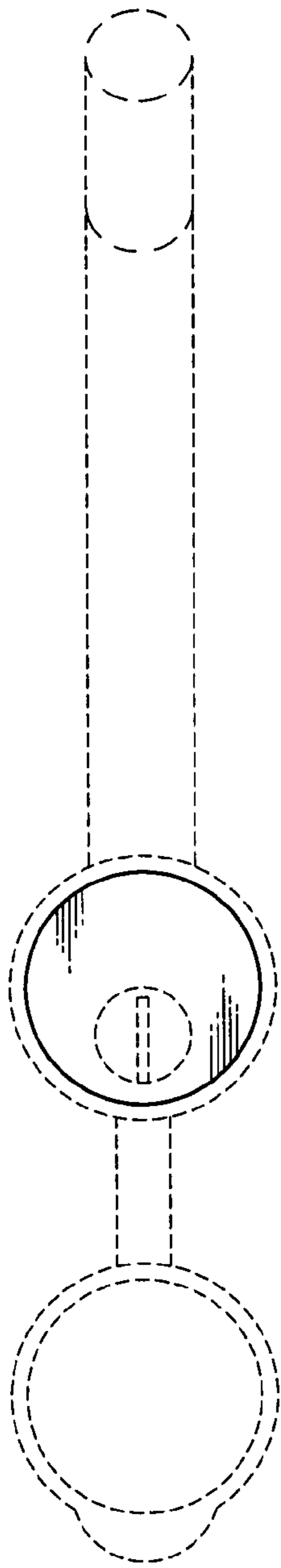


FIG. 4

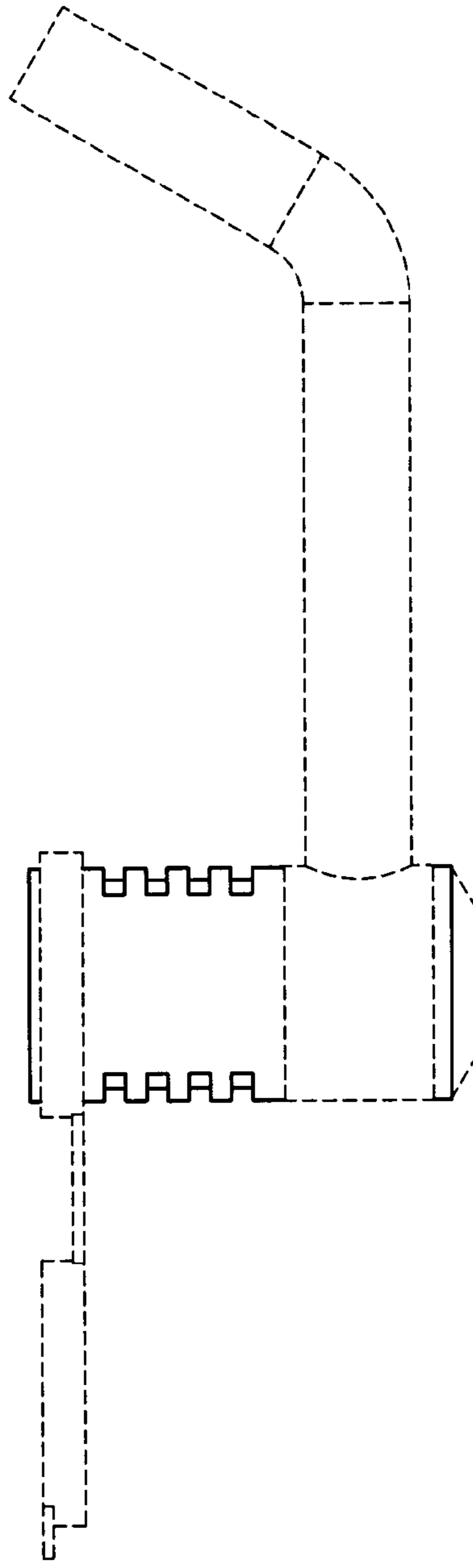


FIG. 5

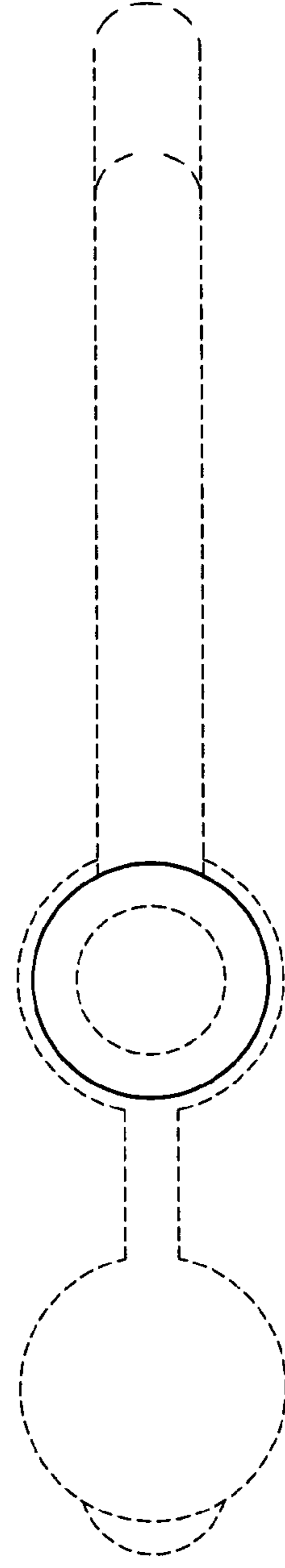


FIG. 6