



US00D524141S

(12) **United States Design Patent**  
**Kwan**

(10) **Patent No.:** **US D524,141 S**  
(45) **Date of Patent:** **\*\* Jul. 4, 2006**

(54) **HINGE FOR MODULAR DISC STORAGE CASE**

(75) Inventor: **Tat Ming Kwan**, Hong Kong (HK)

(73) Assignee: **Tat Tsuen Industrial Ltd.**, Kowloon (HK)

(\*\*) Term: **14 Years**

(21) Appl. No.: **29/238,786**

(22) Filed: **Sep. 20, 2005**

(51) **LOC (8) Cl.** ..... **08-06**

(52) **U.S. Cl.** ..... **D8/325**

(58) **Field of Classification Search** ..... D8/323,  
D8/324, 325, 326, 327, 328, 329, 349, 354,  
D8/356; 16/234-237, 239-241, 245-246,  
16/249, 254, 261-262, 265, 272, 277, 307,  
16/319, 335, 339, 342, 379, 381-383, 384,  
16/385, 386, 387, 388, 389, 221, DIG. 13,  
16/DIG. 40, DIG. 43; 4/236, 237, 238, 239,  
4/240; D23/303; 248/200, 221.11, 300, 309.1,  
248/317; D7/334, 337; 206/308.2, 232  
See application file for complete search history.

(56) **References Cited**

**U.S. PATENT DOCUMENTS**

- 3,088,162 A \* 5/1963 Robbins ..... 16/335
- D233,880 S \* 12/1974 Swenson ..... D8/325
- 4,670,938 A \* 6/1987 Fowlston ..... 16/382
- 4,785,499 A \* 11/1988 Giuffrida et al. .... 16/241
- 4,892,189 A \* 1/1990 Kunimune et al. .... 206/232

- 5,135,106 A \* 8/1992 Morrone ..... 206/308.1
- 5,448,799 A \* 9/1995 Stein, Jr. .... 16/225
- 5,904,245 A \* 5/1999 Tsujino ..... 206/232
- D411,434 S \* 6/1999 Russell ..... D8/323
- D419,417 S \* 1/2000 Kane ..... D8/98
- D443,198 S \* 6/2001 Snyder ..... D8/354
- 2004/0245132 A1 \* 12/2004 Morrone ..... 206/308.1

**FOREIGN PATENT DOCUMENTS**

GB 3008329 S \* 11/2002

\* cited by examiner

*Primary Examiner*—Gary D. Watson

*Assistant Examiner*—T. Chase Nelson

(74) *Attorney, Agent, or Firm*—Blakely, Sokoloff, Taylor & Zafman; Stephen M. De Klerk

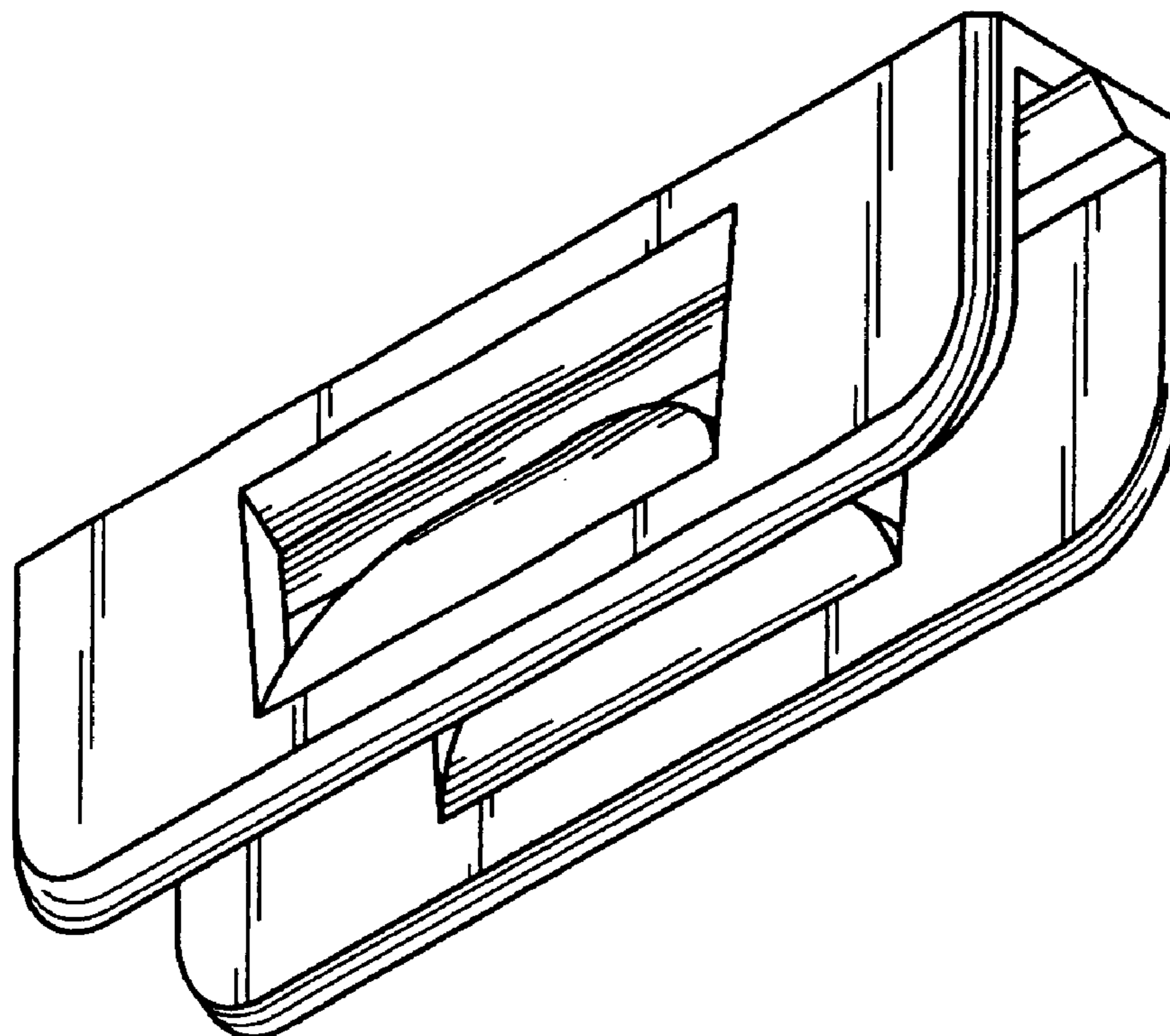
(57) **CLAIM**

The ornamental design for a hinge for modular disc storage case, as shown and described.

**DESCRIPTION**

FIG. 1 is a front perspective view of a hinge for modular disc storage case, showing my new design;  
FIG. 2 is a perspective view in opened condition thereof;  
FIG. 3 is a front view thereof;  
FIG. 4 is a rear view thereof;  
FIG. 5 is a left end view thereof;  
FIG. 6 is a right end view thereof;  
FIG. 7 is a top plan view thereof; and,  
FIG. 8 is a bottom plan view thereof.

**1 Claim, 2 Drawing Sheets**



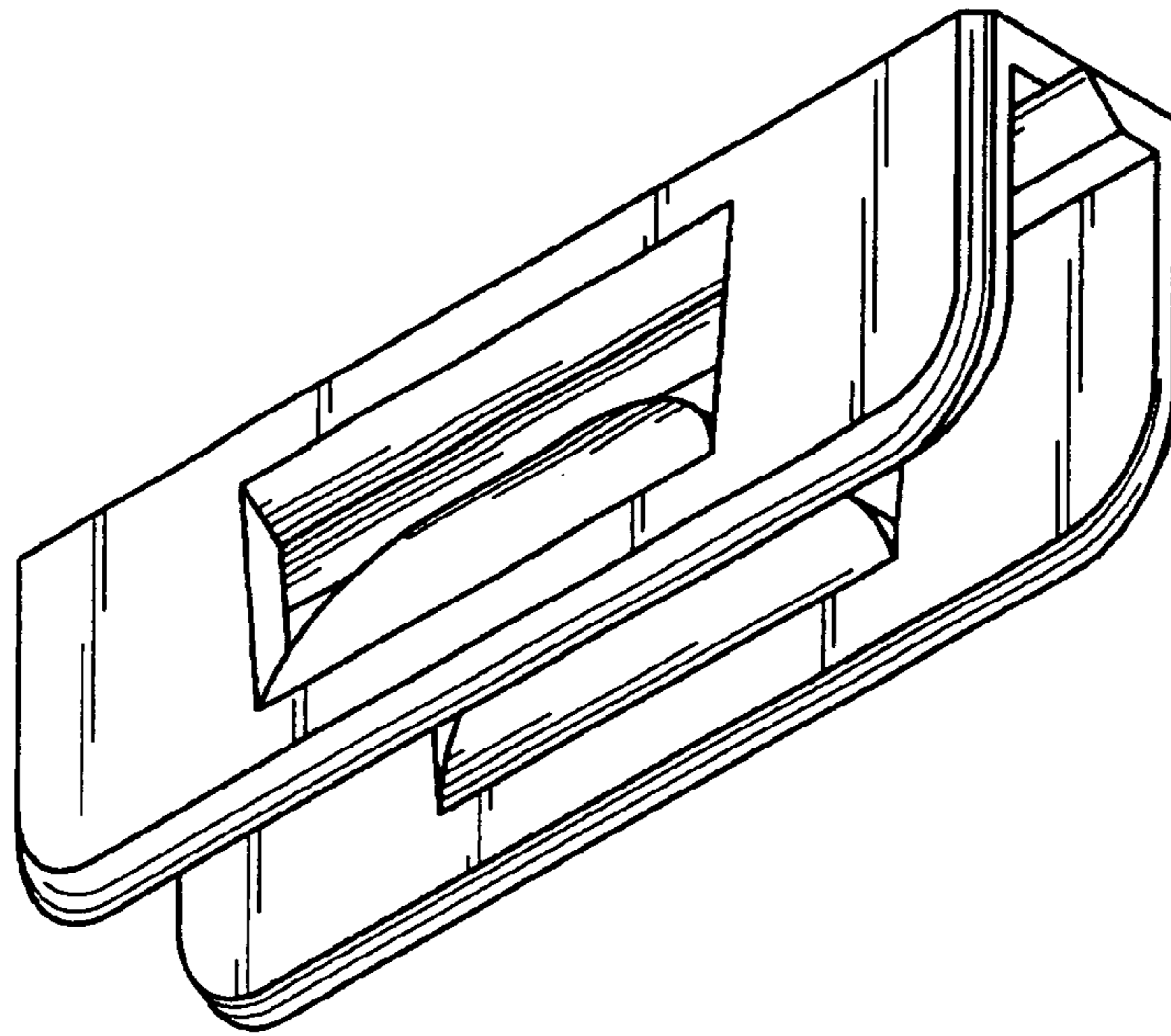


FIG. 1

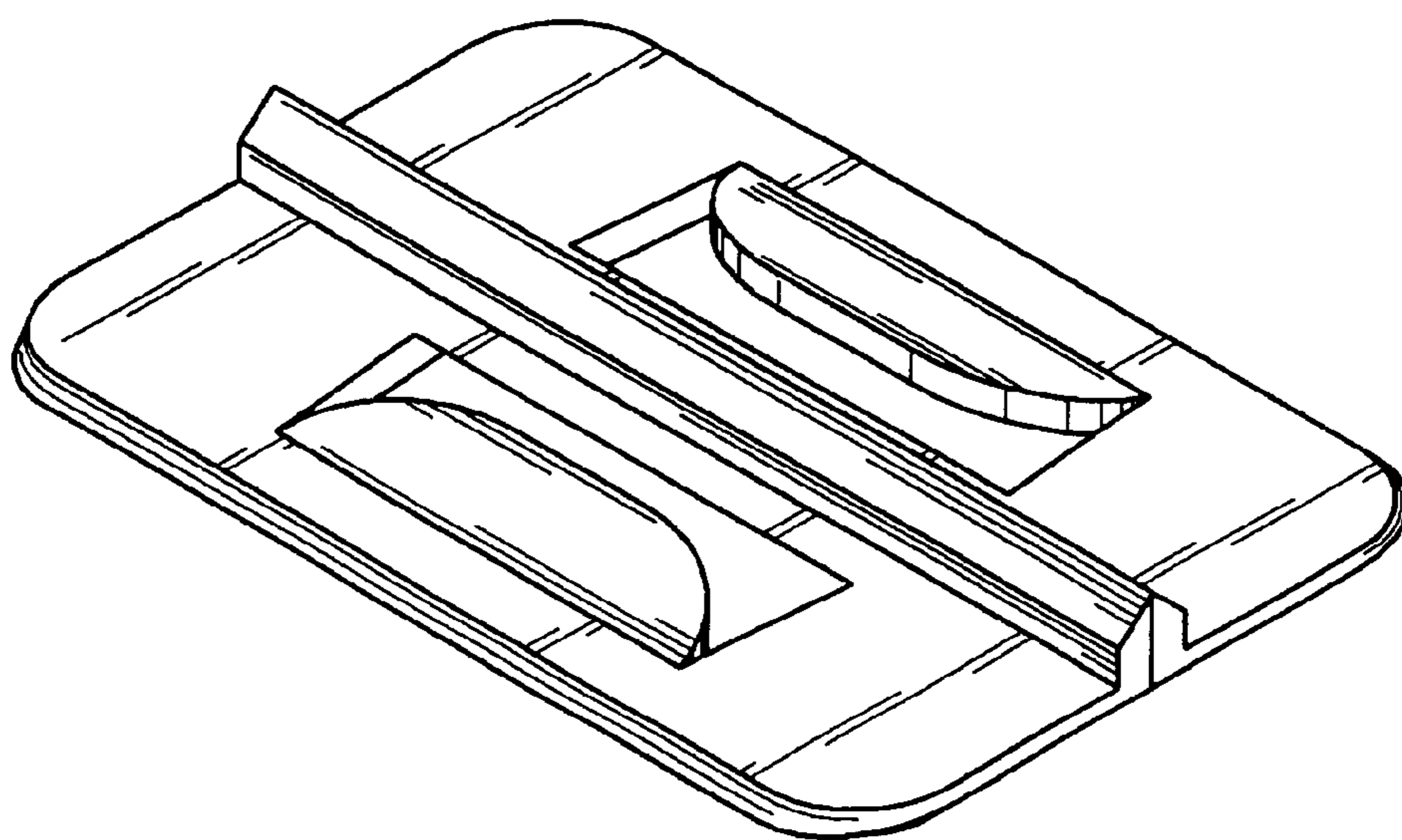


FIG. 2

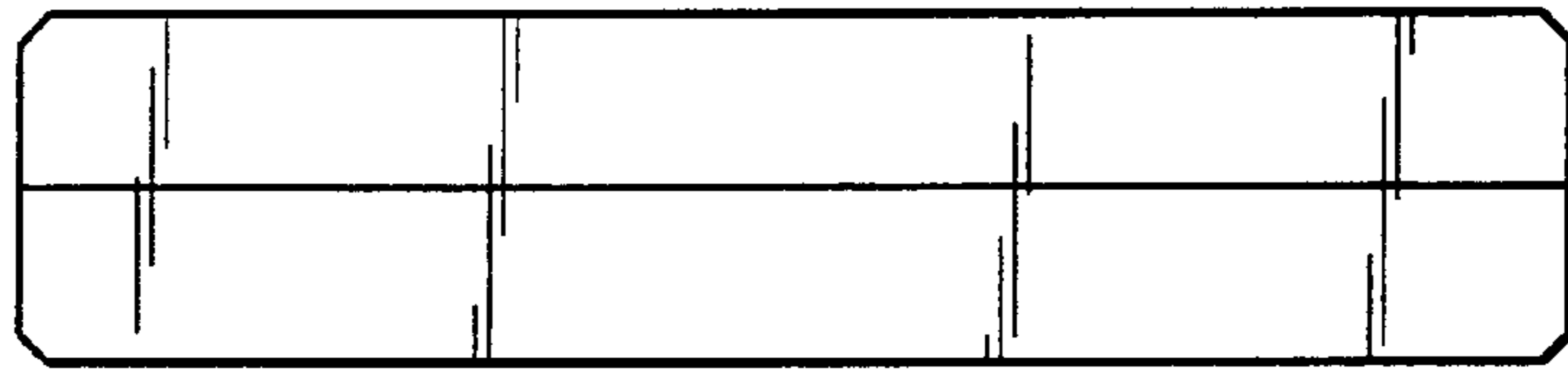


FIG. 7

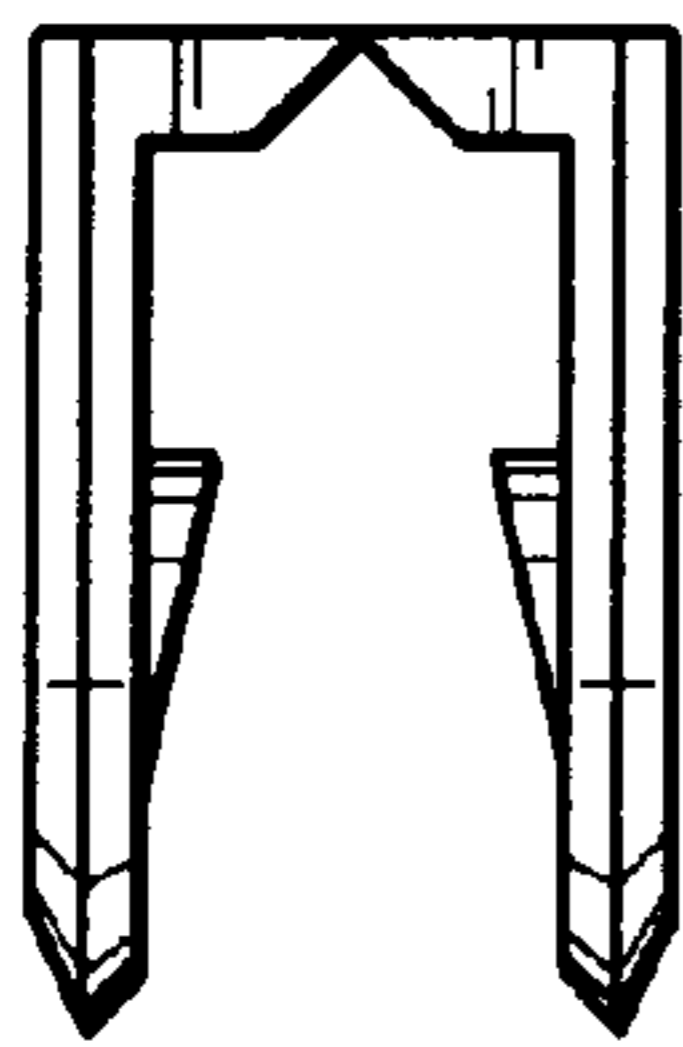


FIG. 5

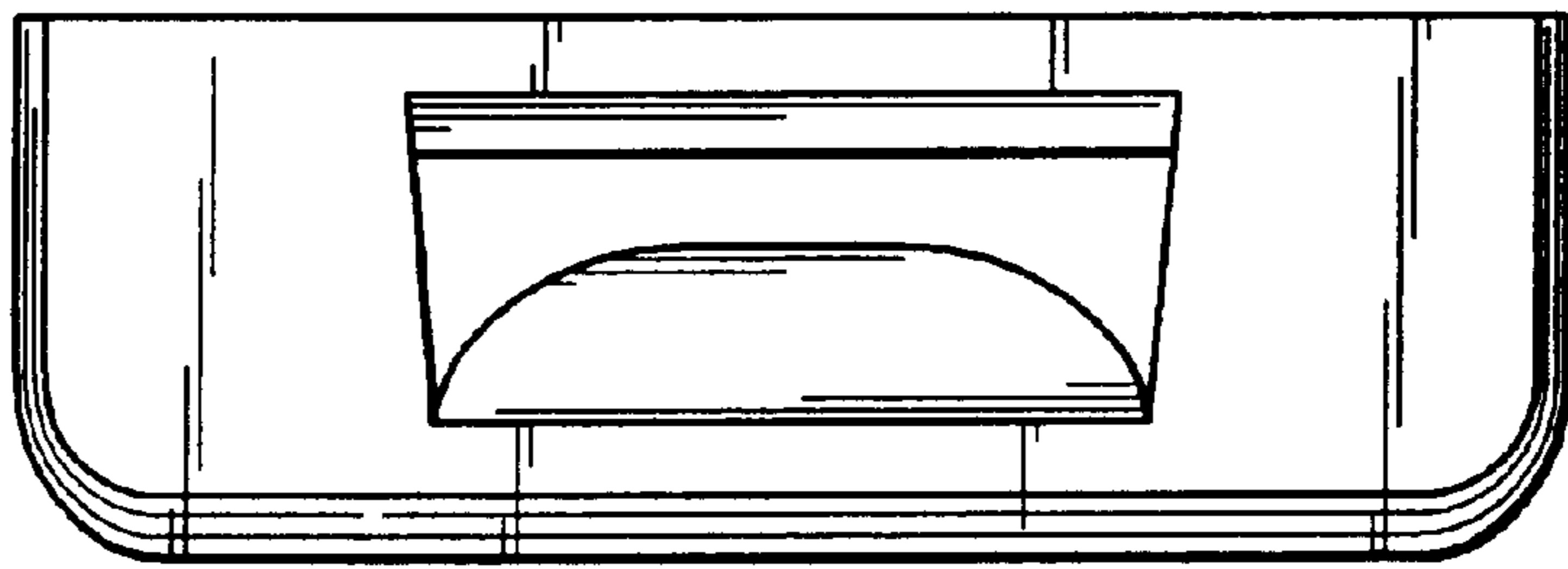


FIG. 3

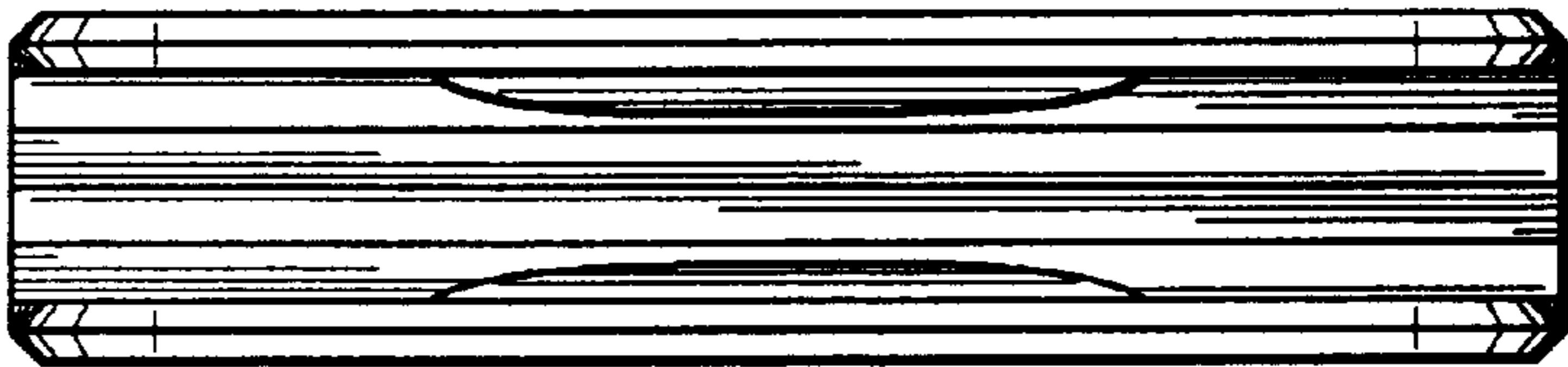


FIG. 8

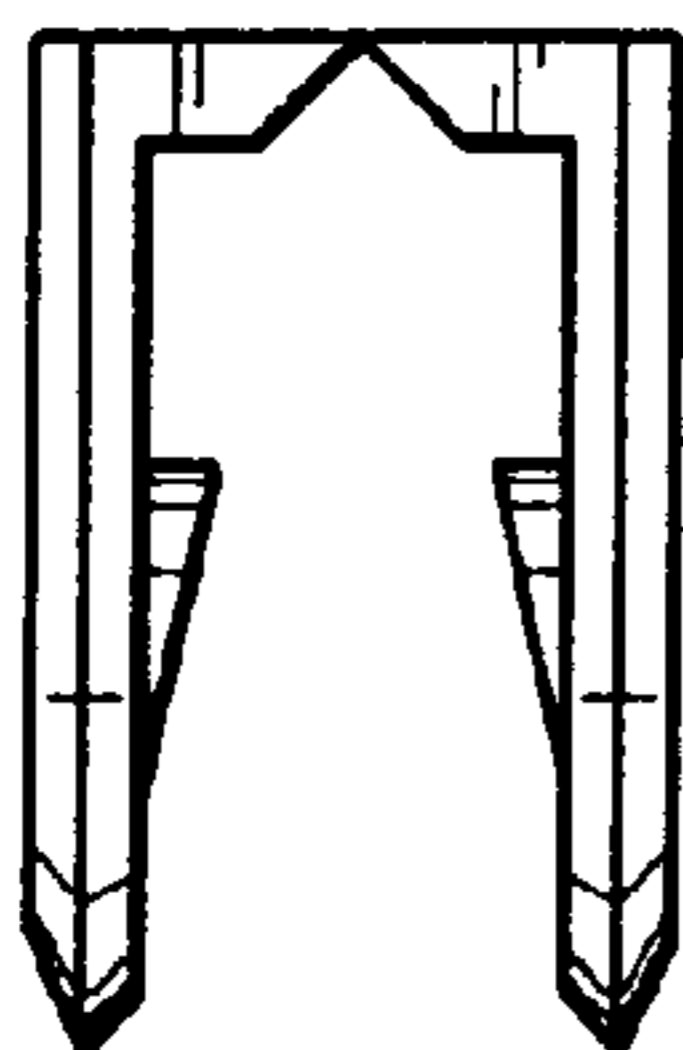


FIG. 6

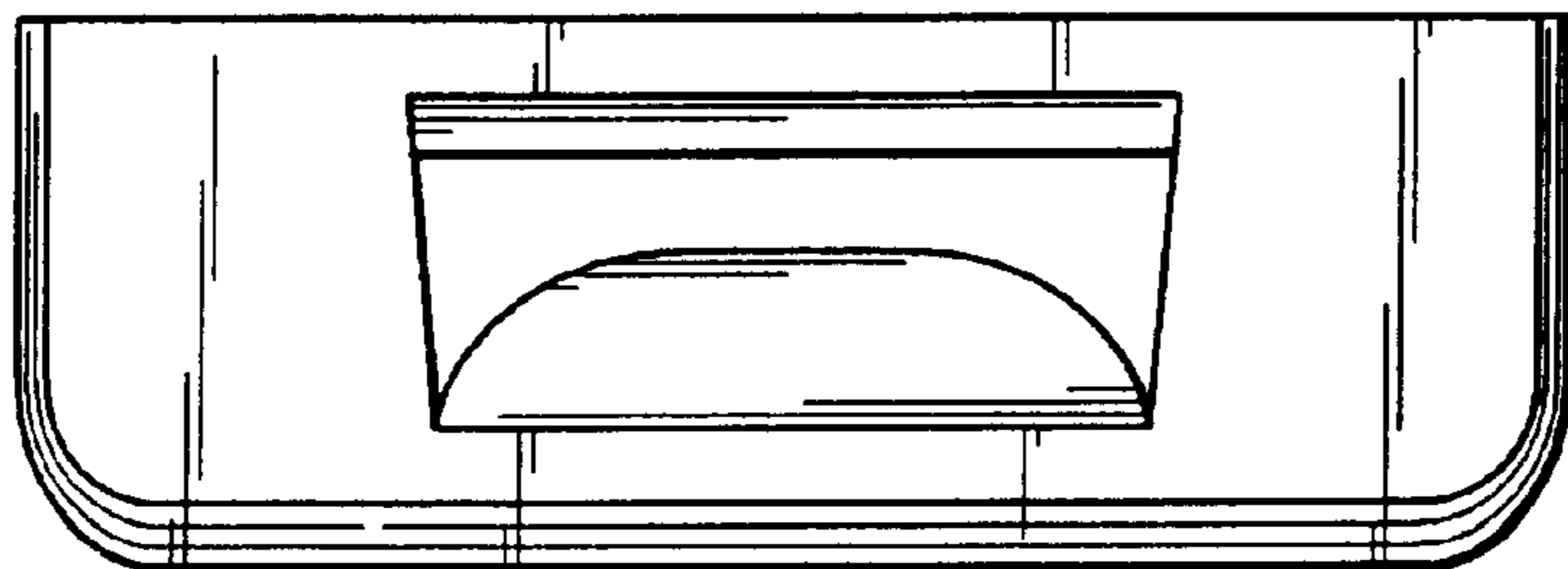


FIG. 4