



US00D524140S

(12) **United States Design Patent**
Kirar

(10) **Patent No.:** **US D524,140 S**

(45) **Date of Patent:** **** Jul. 4, 2006**

(54) **HANDLE**

(75) Inventor: **Laura K. Kirar**, New York, NY (US)

(73) Assignee: **Kohler Co.**, Kohler, WI (US)

(**) Term: **14 Years**

(21) Appl. No.: **29/229,231**

(22) Filed: **May 4, 2005**

(51) **LOC (8) Cl.** **08-06**

(52) **U.S. Cl.** **D8/308**

(58) **Field of Classification Search** D8/300,
D8/301, 307, 308, 352; D23/250, 252, 254;
16/110.1, 425; 74/523; 292/347, 353; 403/359.1,
403/361

See application file for complete search history.

(56) **References Cited**

U.S. PATENT DOCUMENTS

1,958,165	A	*	5/1934	Le Compte	16/425
D290,336	S	*	6/1987	Paul	D8/308
D329,188	S	*	9/1992	Paul	D8/308
D347,268	S	*	5/1994	Paul	D23/252
D356,241	S	*	3/1995	Decursu	D8/308
D495,780	S	*	9/2004	Aubry et al.	D23/252

OTHER PUBLICATIONS

Kohler catalog, Bath & Powder Room Faucets, p. 4.31, Stillness, Bath-/Deck-Mount & Bidet.
Kallista catalog, Barbara Barry, p. 69, Barbara Barry Basin Set with Cross Handles.

Website page, Franz Viegner, Widespread Lavatory Faucet, May 4, 2005.

Jacob Delafon catalog, Robinetterie Pour Le Bain Et La Douche, p. 304, Melangeurs.

* cited by examiner

Primary Examiner—Paula A. Greene

(74) *Attorney, Agent, or Firm*—Quarles & Brady LLP

(57) **CLAIM**

The ornamental design for a handle, as shown and described.

DESCRIPTION

In a preferred embodiment, the nature of this product is a handle for a plumbing fixture such as a faucet.

FIG. 1 is a right, top, front perspective view of a handle according to my new design;

FIG. 2 is a front elevational view thereof, the rear elevational view thereof being a mirror image of the front view shown,

FIG. 3 is a top plan view thereof;

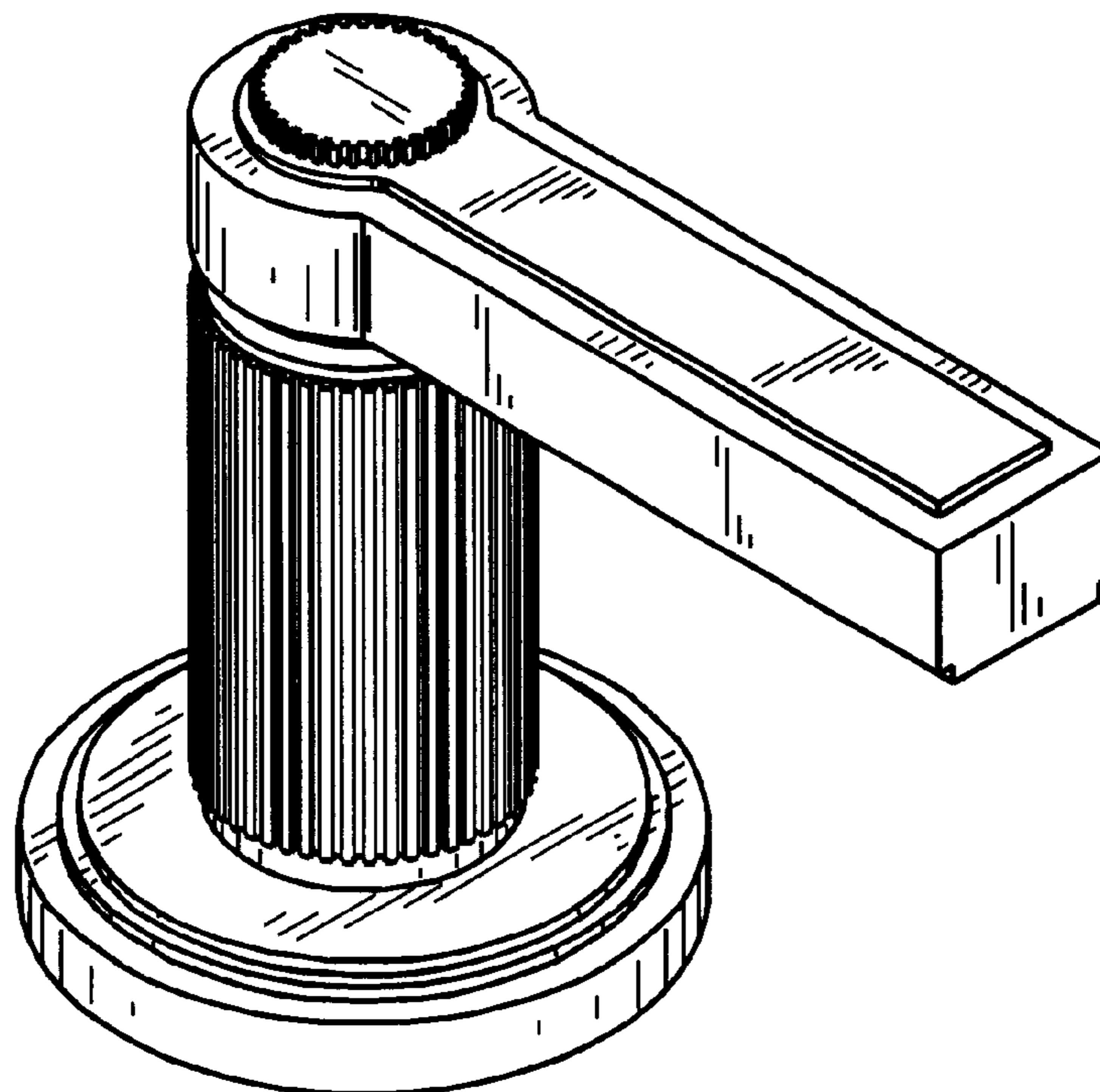
FIG. 4 is a left side elevational view thereof;

FIG. 5 is a right side elevational view thereof; and,

FIG. 6 is a bottom plan view thereof.

The broken line representation of bottom mounting structure in FIG. 6 are for the purpose of illustration only, and form no part of the claimed design.

1 Claim, 2 Drawing Sheets



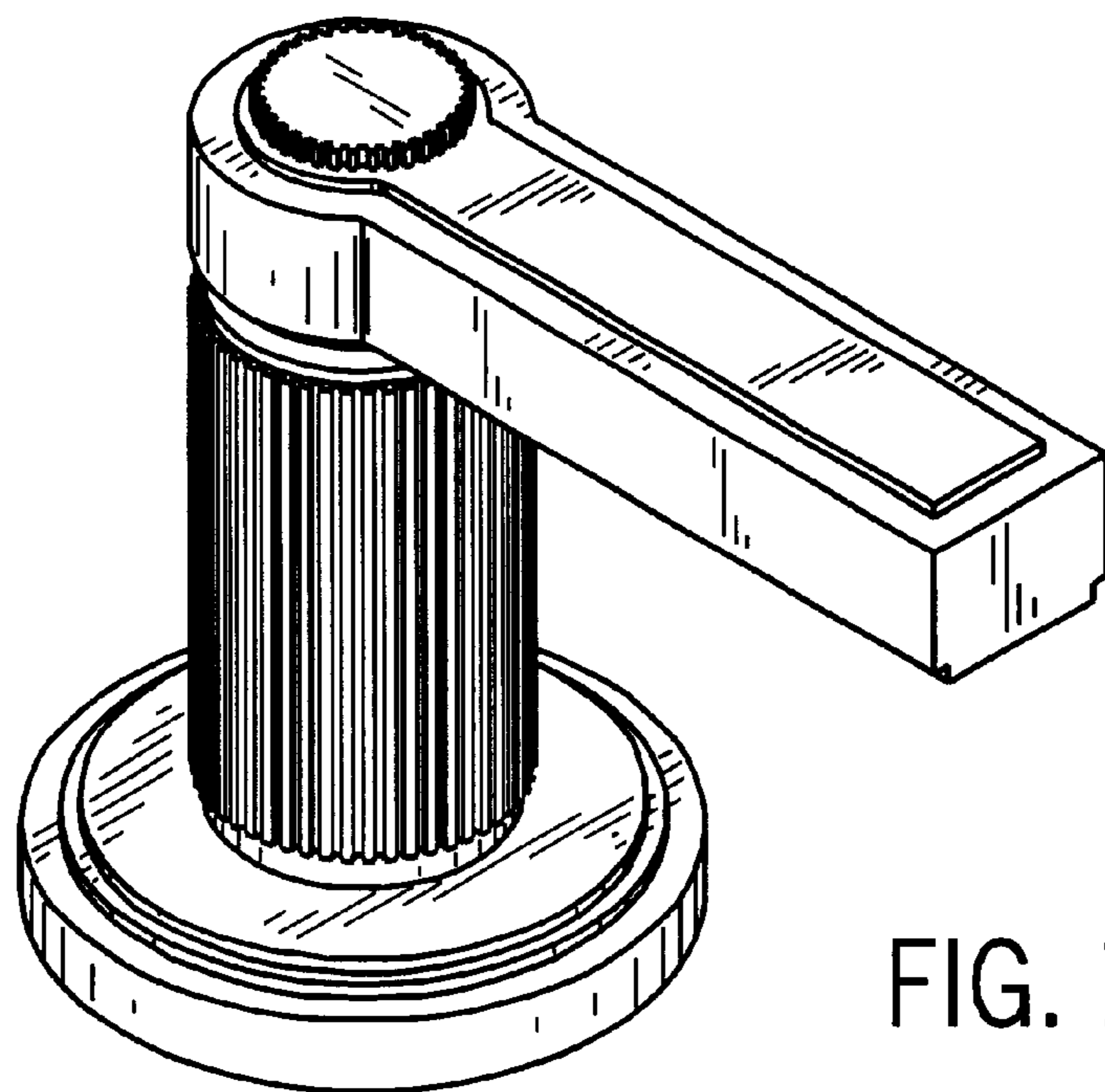


FIG. 1

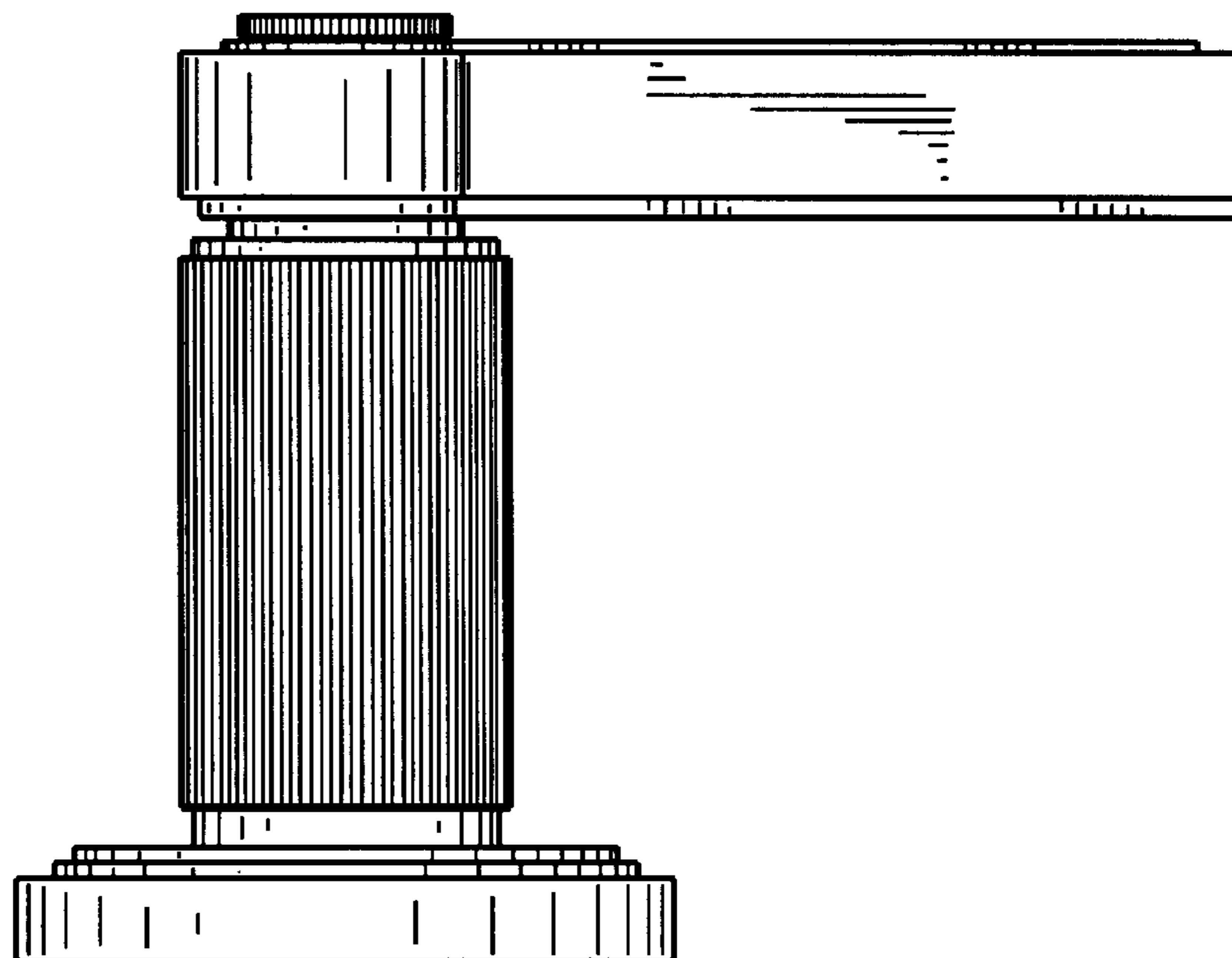


FIG. 2

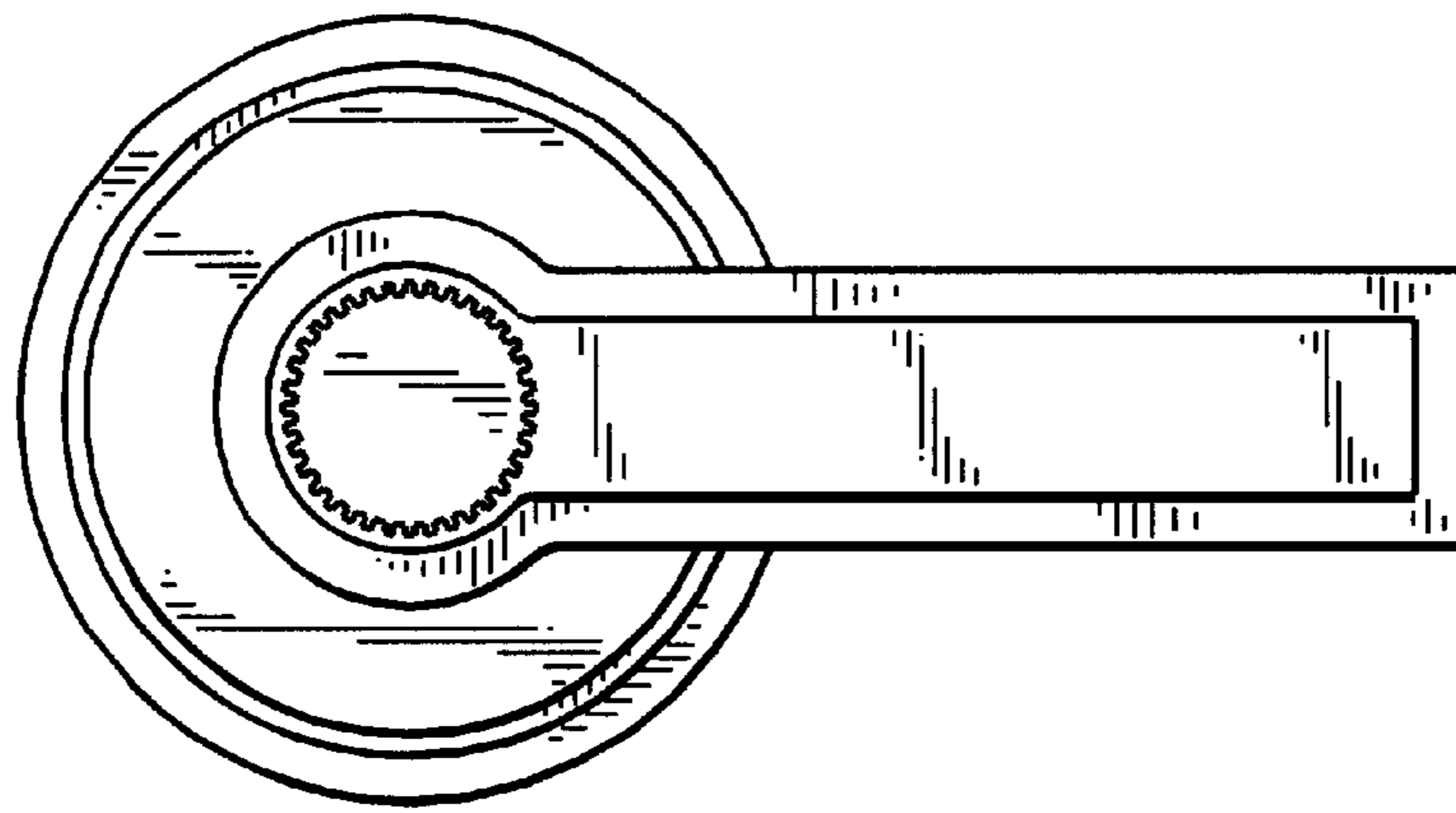


FIG. 3

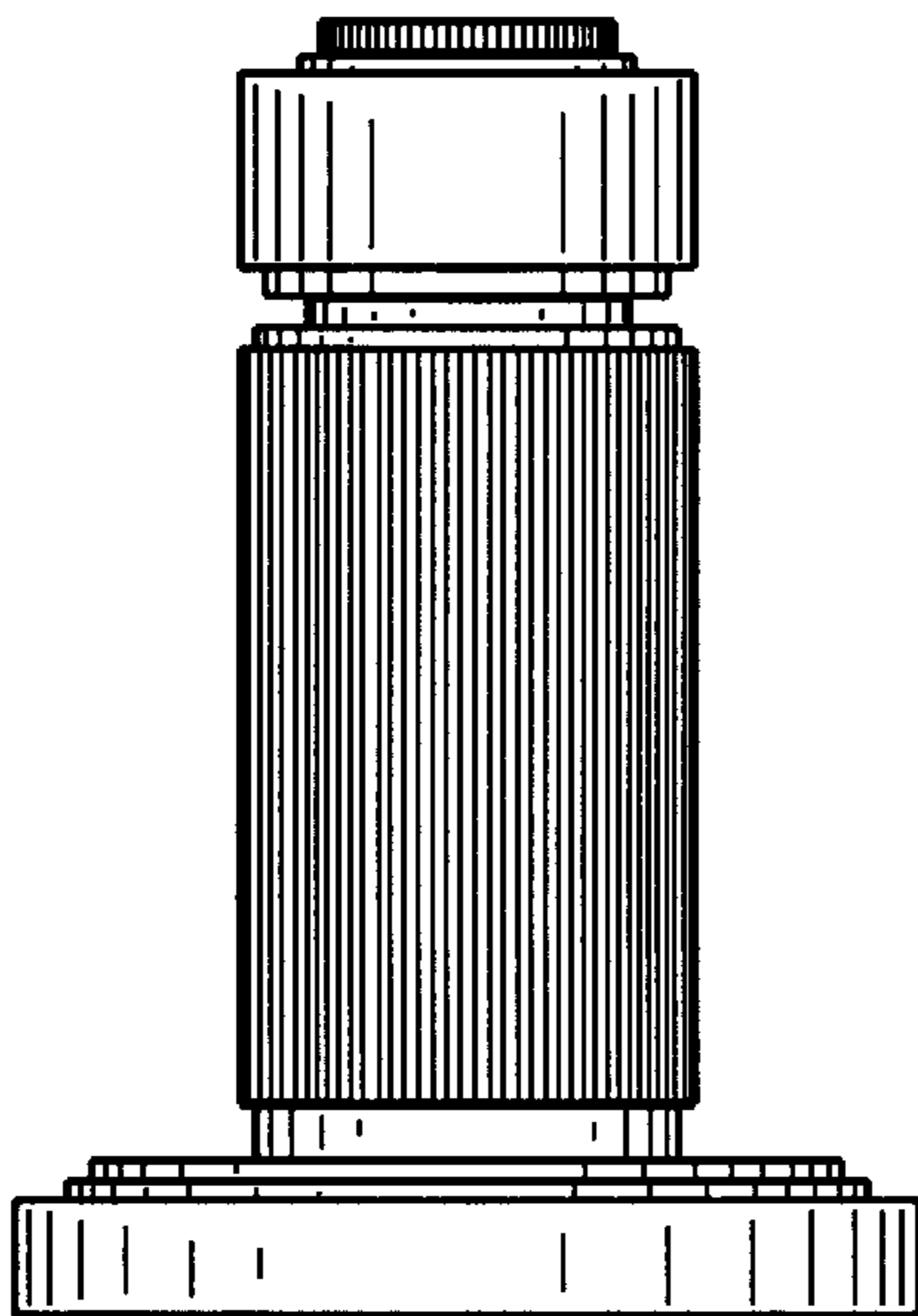


FIG. 4

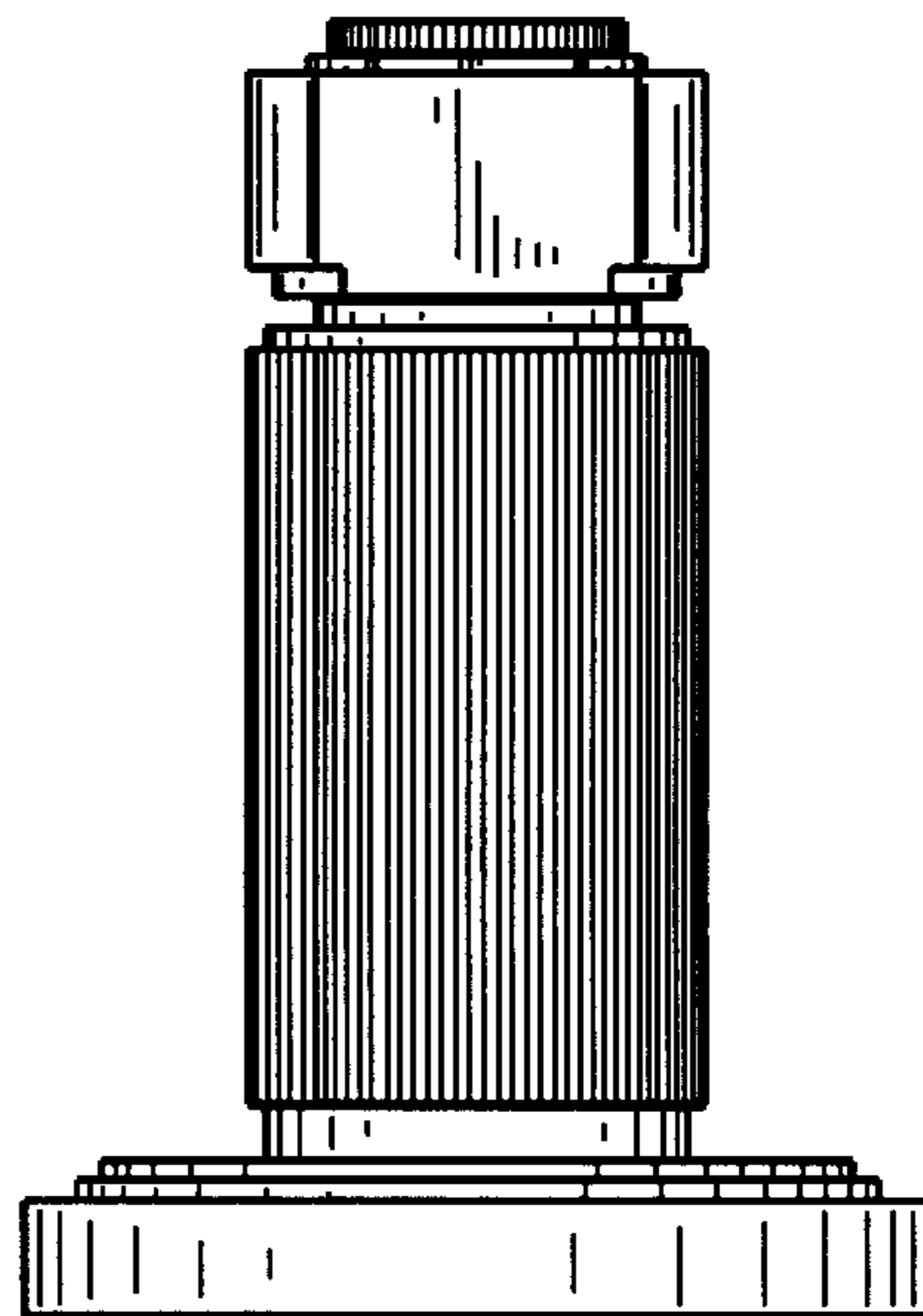


FIG. 5

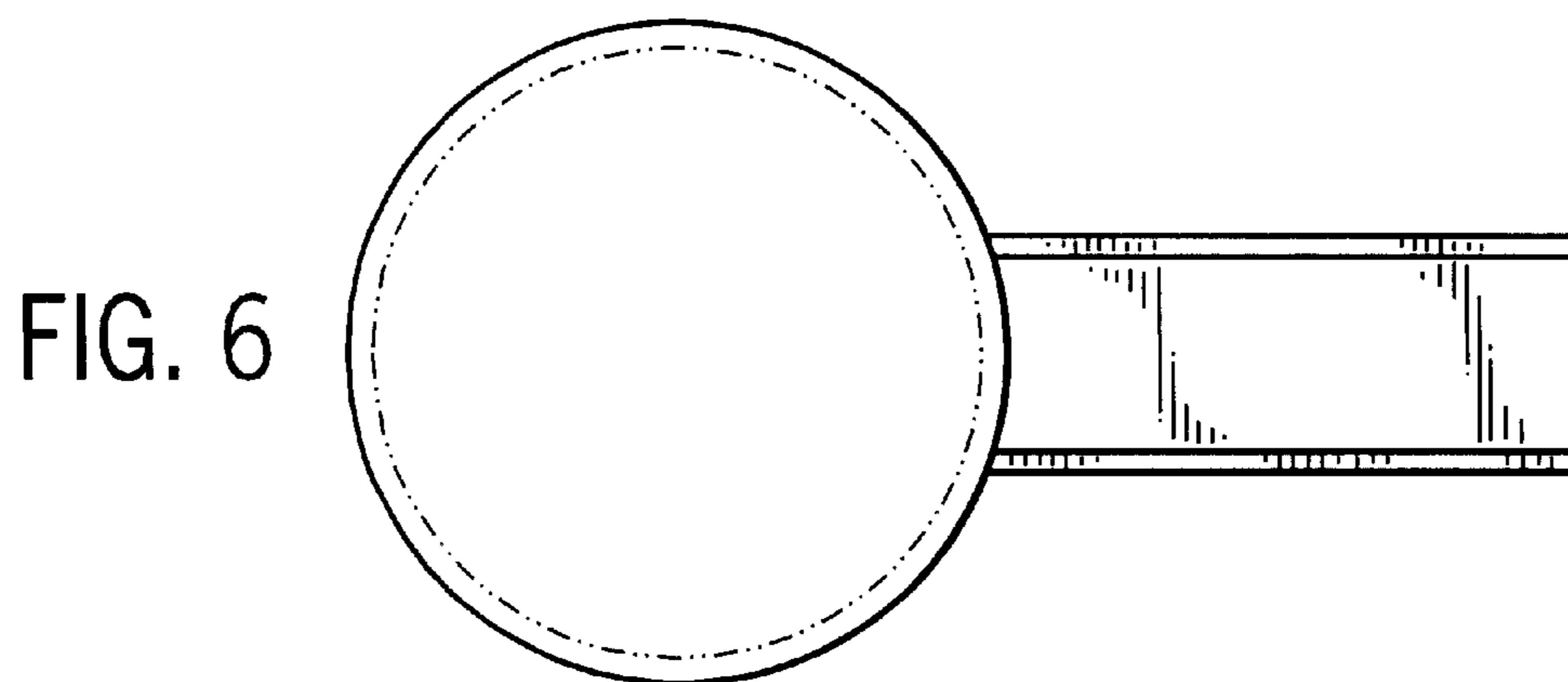


FIG. 6