



US00D524137S

(12) **United States Design Patent**
Suzuki et al.

(10) **Patent No.:** **US D524,137 S**
(45) **Date of Patent:** **** Jul. 4, 2006**

(54) **PNEUMATIC NAILER**

(75) Inventors: **Yoshitaka Suzuki**, Wako (JP); **Akira Oono**, Hitachinaka (JP)

(73) Assignee: **Hitachi Koki Co., Ltd.**, Tokyo (JP)

(**) Term: **14 Years**

(21) Appl. No.: **29/235,900**

(22) Filed: **Aug. 9, 2005**

(30) **Foreign Application Priority Data**

Feb. 9, 2005 (JP) 2005-003406

(51) **LOC (8) Cl.** **08-05**

(52) **U.S. Cl.** **D8/69**

(58) **Field of Classification Search** D8/14.1,
D8/61, 62, 63, 64, 65, 66, 67, 68, 69, 70;
81/57.11, 429, 464, 465, 466, 469, 489; 173/13,
173/104, 114, 168, 169, 170, 171, 178, 201,
173/211, 213, 217; 408/20, 124, 125, 234,
408/241 R; 451/358; 310/50; 227/8, 114,
227/120, 130, 136, 142

See application file for complete search history.

(56) **References Cited**

U.S. PATENT DOCUMENTS

- D334,329 S * 3/1993 Ogawa et al. D8/68
- D335,620 S * 5/1993 Farian et al. D8/68
- D358,749 S * 5/1995 Matsunaga et al. D8/69
- D368,216 S * 3/1996 Hattori D8/68
- D387,260 S * 12/1997 Hattori D8/69
- D392,170 S * 3/1998 Hattori D8/68
- 5,772,096 A * 6/1998 Osuka et al. 227/8
- D403,938 S * 1/1999 Matsuoka et al. D8/68
- D408,250 S * 4/1999 Matsuoka et al. D8/68

- D421,884 S * 3/2000 Hattori D8/69
- D438,079 S * 2/2001 Hattori D8/69
- D466,781 S * 12/2002 Matsuoka et al. D8/69
- 6,502,737 B1 * 1/2003 Akiba 227/120
- D472,780 S * 4/2003 Matsuoka et al. D8/68
- D474,386 S * 5/2003 Arai D8/68
- D486,712 S * 2/2004 Yao D8/68
- 6,729,524 B1 * 5/2004 Yao 227/120
- D491,035 S * 6/2004 Buck D8/68
- 6,779,700 B1 * 8/2004 Bruins et al. 227/120
- D505,608 S * 5/2005 Arai et al. D8/68

FOREIGN PATENT DOCUMENTS

- GB 2057580 S * 1/1996
- GB 2081897 S * 9/1998
- GB 2094334 S * 2/2000

* cited by examiner

Primary Examiner—T. Chase Nelson

(74) *Attorney, Agent, or Firm*—Sughrue Mion, PLLC

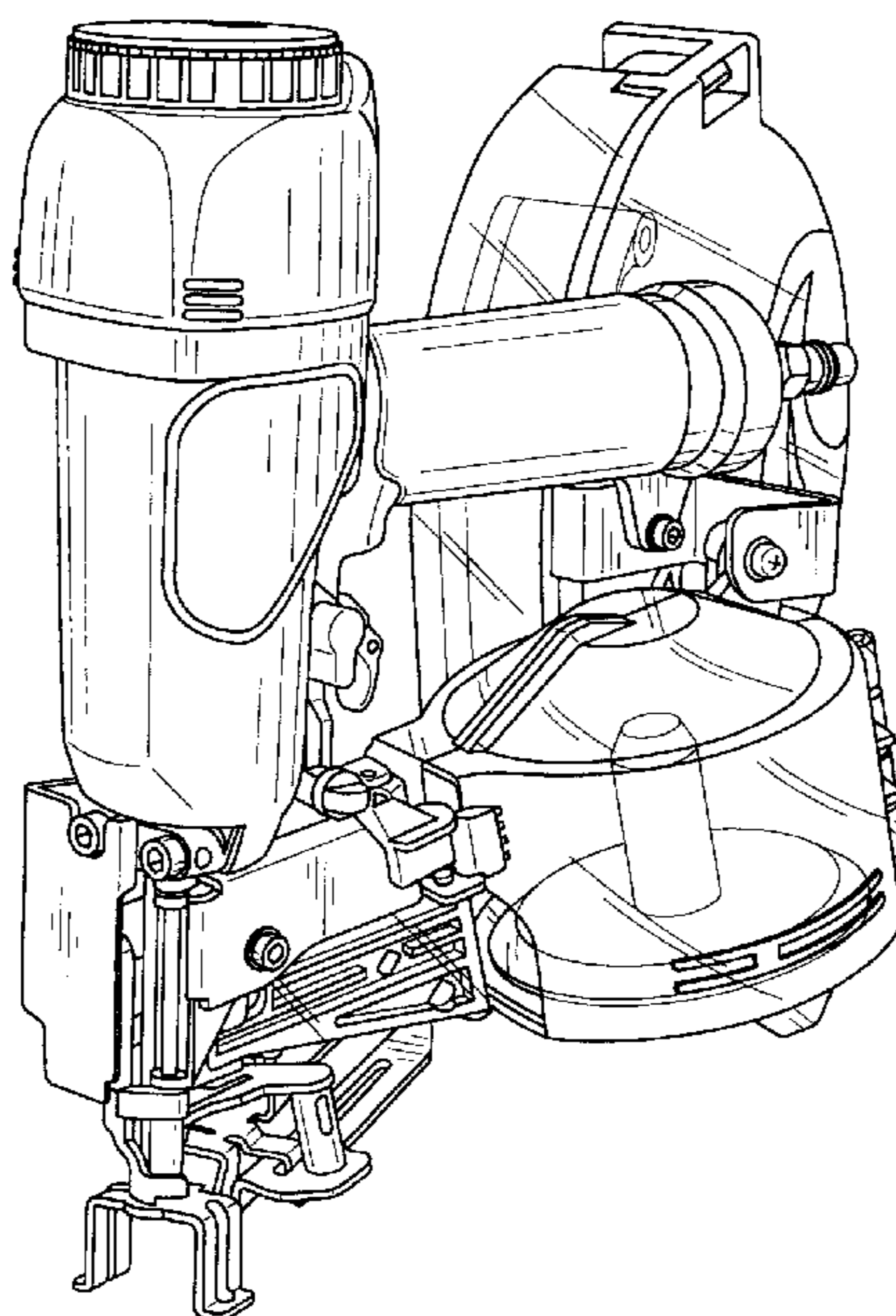
(57) **CLAIM**

The ornamental design for a pneumatic nailer, as shown.

DESCRIPTION

FIG. 1 is a perspective view of the top, front and left side of a pneumatic nailer showing our new design;
 FIG. 2 is a front elevational view thereof;
 FIG. 3 is a rear elevational view thereof;
 FIG. 4 is a perspective view of the bottom, front and right side thereof;
 FIG. 5 is a perspective view of the top, rear and left side thereof;
 FIG. 6 is a top plan view; and,
 FIG. 7 is a bottom plan view.

1 Claim, 6 Drawing Sheets



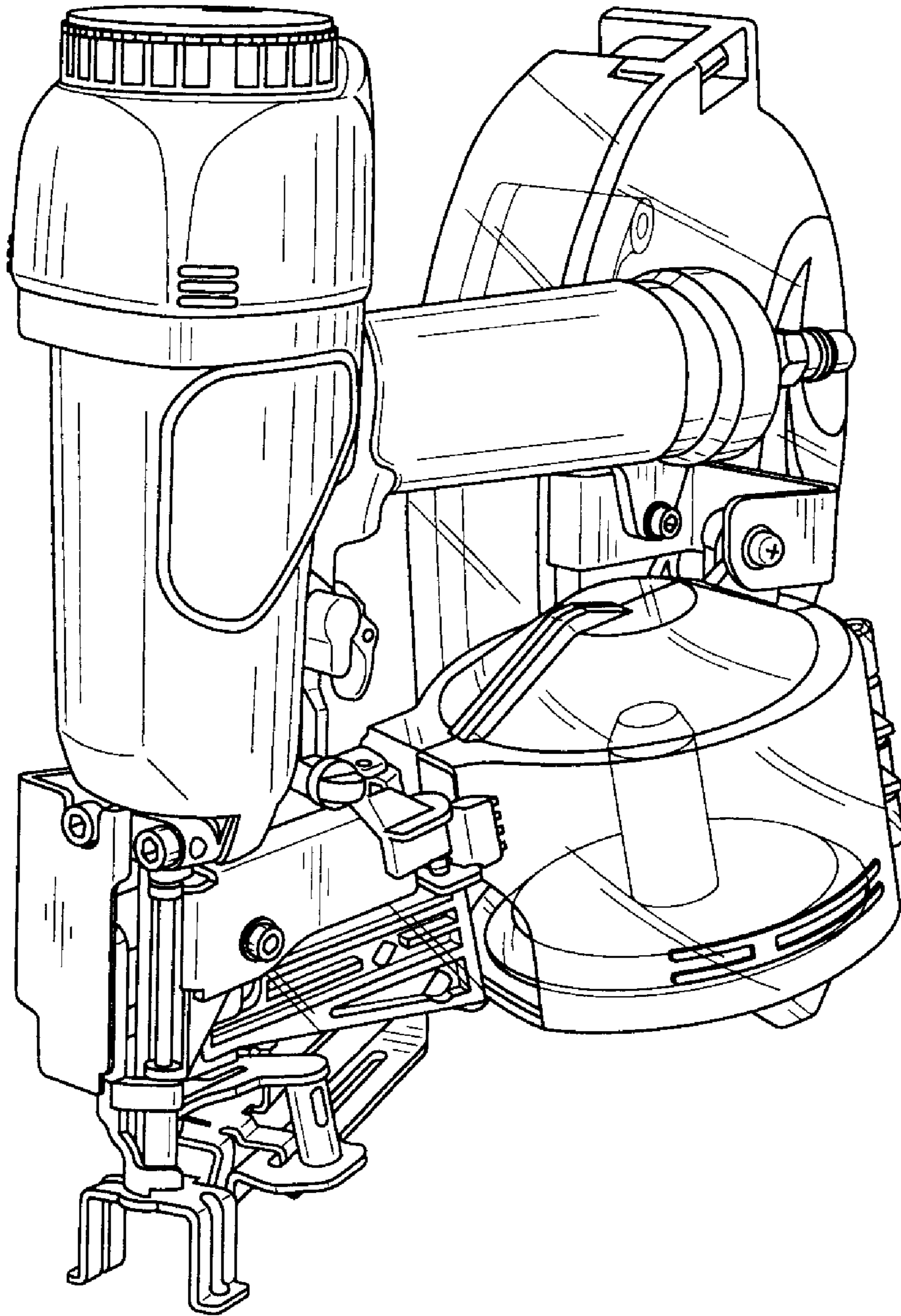


FIG. 1

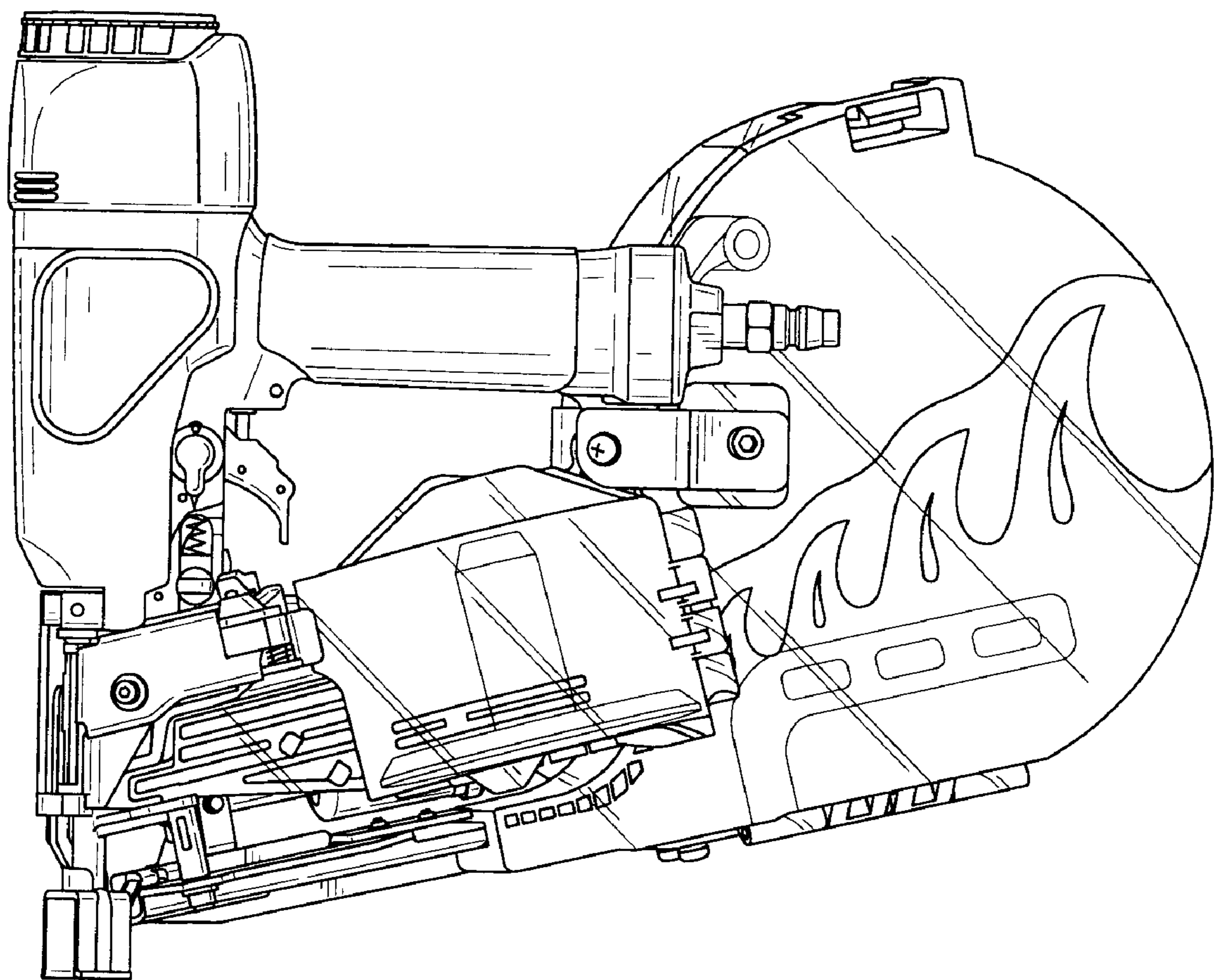


FIG. 2

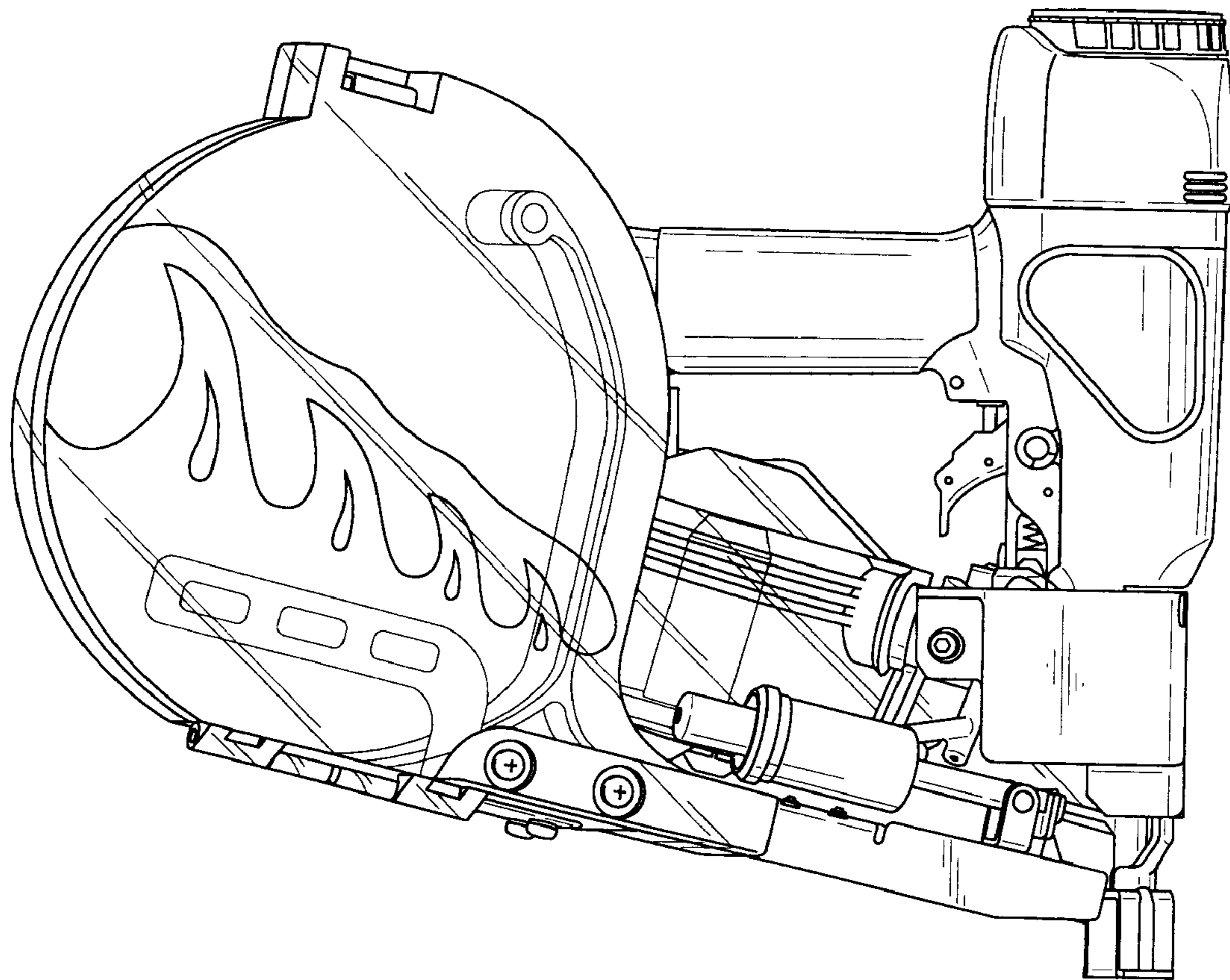


FIG. 3

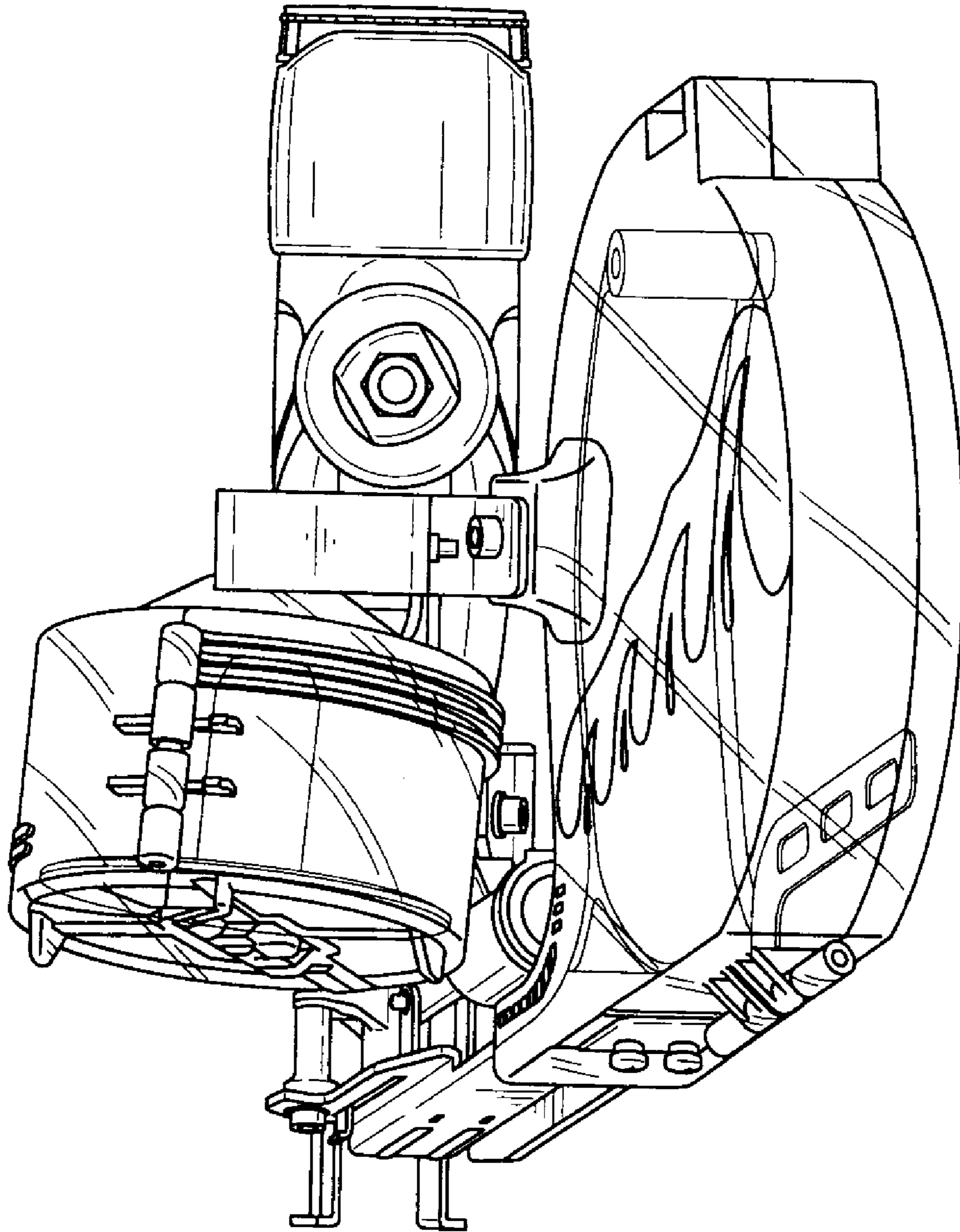


FIG. 4

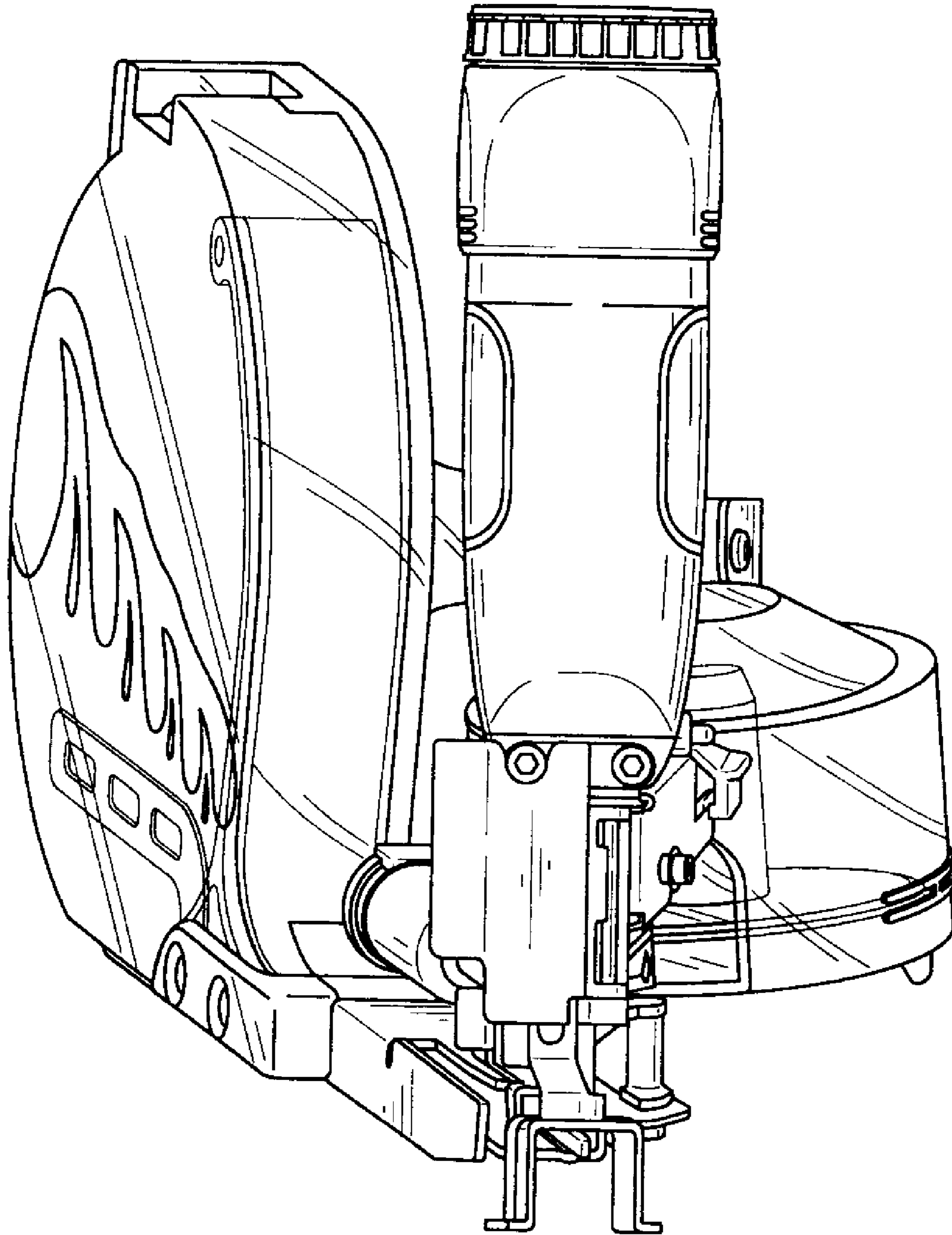


FIG. 5

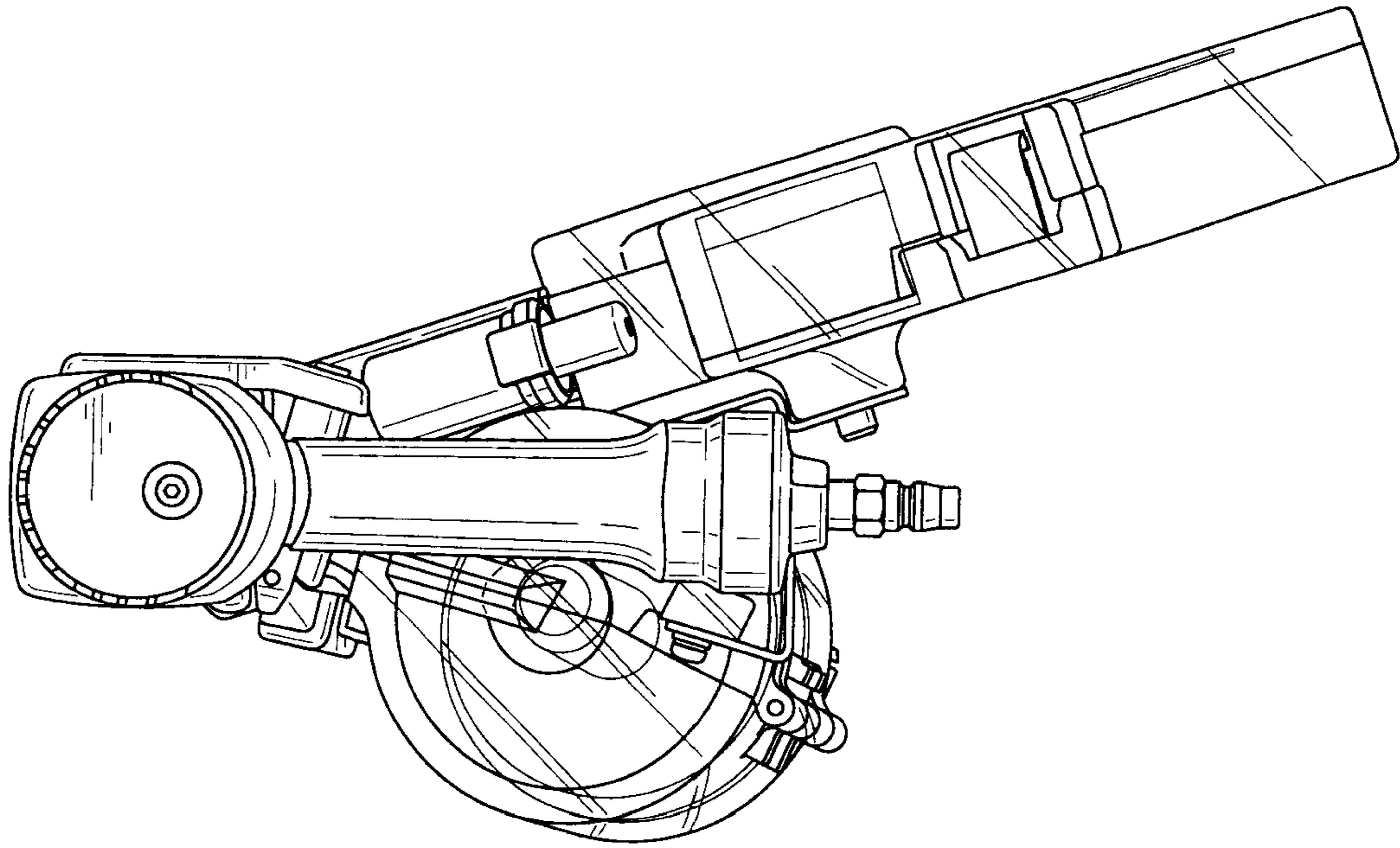


FIG. 6

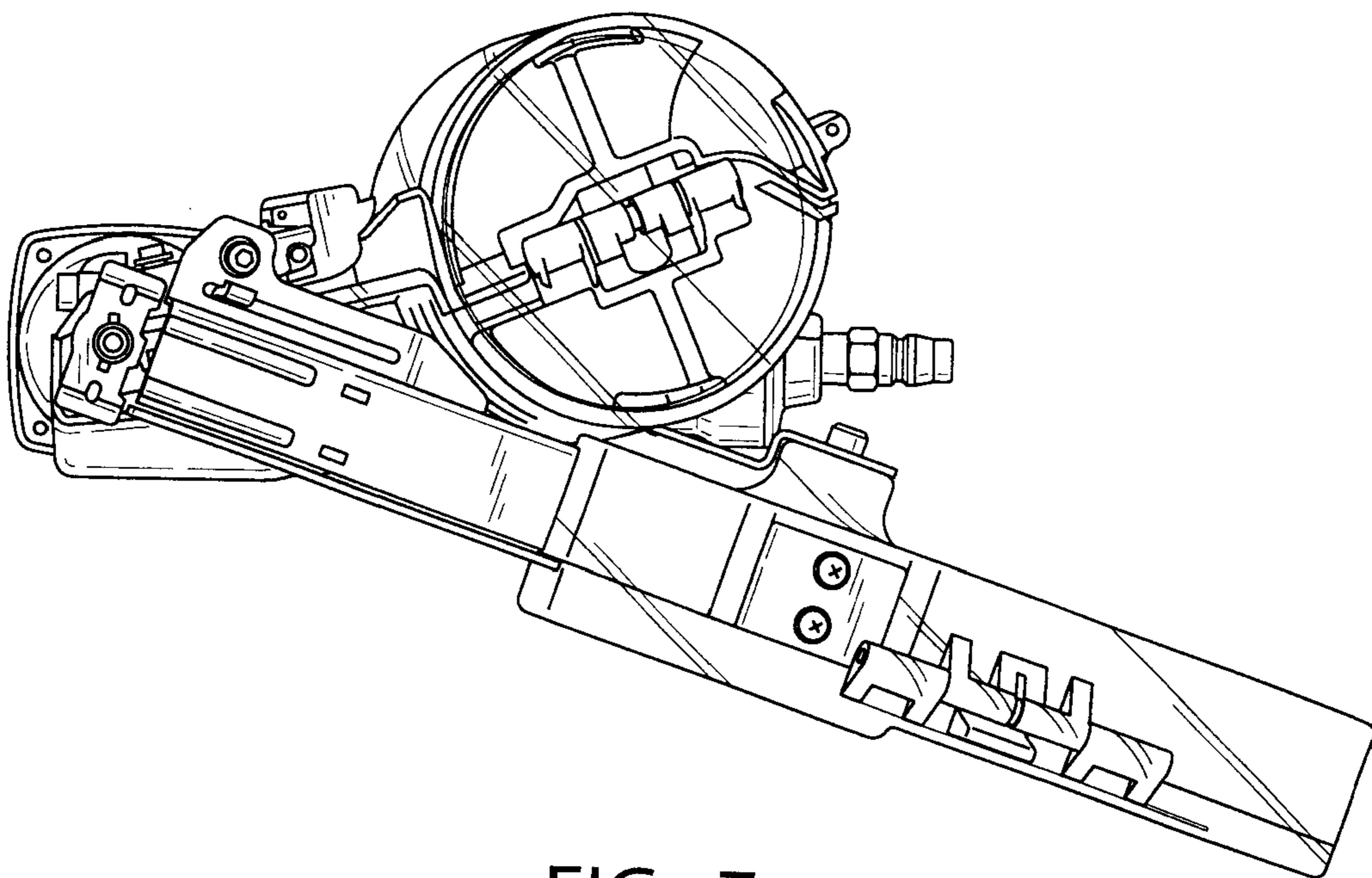


FIG. 7