

US00D524132S

(12) **United States Design Patent**
Welsh

(10) **Patent No.:** **US D524,132 S**
(45) **Date of Patent:** **** Jul. 4, 2006**

(54) **POWER TOOL**

(75) Inventor: **Robert P. Welsh**, Hunt Valley, MD
(US)

(73) Assignee: **Black & Decker Inc.**, Newark, DE
(US)

(**) Term: **14 Years**

(21) Appl. No.: **29/235,145**

(22) Filed: **Jul. 28, 2005**

(51) **LOC (8) Cl.** **08-03**

(52) **U.S. Cl.** **D8/64**

(58) **Field of Classification Search** D8/69,
D8/68, 67, 66, 65, 64, 62, 61; 30/92, 394,
30/393, 392, 377, 376, 371; 74/50, 49; 173/217,
173/216; 83/699.21; 446/145

See application file for complete search history.

(56) **References Cited**

U.S. PATENT DOCUMENTS

D401,128 S	11/1998	Zurwelle	
D415,100 S	10/1999	Buck	
D428,786 S	8/2000	Hayakawa et al.	
D434,627 S	12/2000	Buck	
6,189,217 B1 *	2/2001	Melvin et al.	30/125
D440,849 S	4/2001	Sakai et al.	
6,272,757 B1 *	8/2001	Roe	30/377
6,296,065 B1 *	10/2001	Carrier	173/217
D456,233 S	4/2002	Main	
6,484,409 B1 *	11/2002	Campbell et al.	30/371
D468,982 S	1/2003	Brazell et al.	
D471,417 S *	3/2003	Chunn et al.	D8/64
D471,418 S	3/2003	Chunn et al.	
D473,771 S	4/2003	Hayakawa et al.	
D474,088 S	5/2003	Chunn et al.	
6,568,089 B1	5/2003	Popik et al.	
D475,679 S	6/2003	Cooper et al.	
D480,616 S	10/2003	Welsh	
D500,651 S *	1/2005	Andriolo	D8/64
2002/0170186 A1	11/2002	Sakaguchi	
2004/0098870 A1 *	5/2004	Nemazi et al.	30/392

2004/0255475 A1	12/2004	Hirabayashi et al.	
2005/0022395 A1 *	2/2005	Hirabayashi	30/392
2005/0257382 A1 *	11/2005	Lui et al.	30/392
2005/0267776 A1 *	12/2005	Selby et al.	705/1

FOREIGN PATENT DOCUMENTS

DE	M 91 08 195	5/1991
DE	499 04 804	11/1998
DE	499 11 375	6/1999
DE	400 07 637	5/2000
DE	401 04 242	11/2000
DE	402 00 721	8/2001
DE	401 09 686	9/2001
DE	402 02 485	9/2001
DE	402 02 701	9/2001
DE	402 04 834	6/2002
DE	403 01 818	9/2002
DE	403 03 993	12/2002
WO	DM/057789	10/2001

* cited by examiner

Primary Examiner—Cathron C. Brooks

Assistant Examiner—Austin Murphy

(74) *Attorney, Agent, or Firm*—Mehul R. Jani; Adan Ayala;
Charles E. Yocum

(57) **CLAIM**

The ornamental design for a power tool, as shown and described.

DESCRIPTION

FIG. 1 is a perspective view of a power tool showing the new design.

FIG. 2 is a front elevational view thereof.

FIG. 3 is a rear elevational view thereof.

FIG. 4 is a right side elevational view thereof.

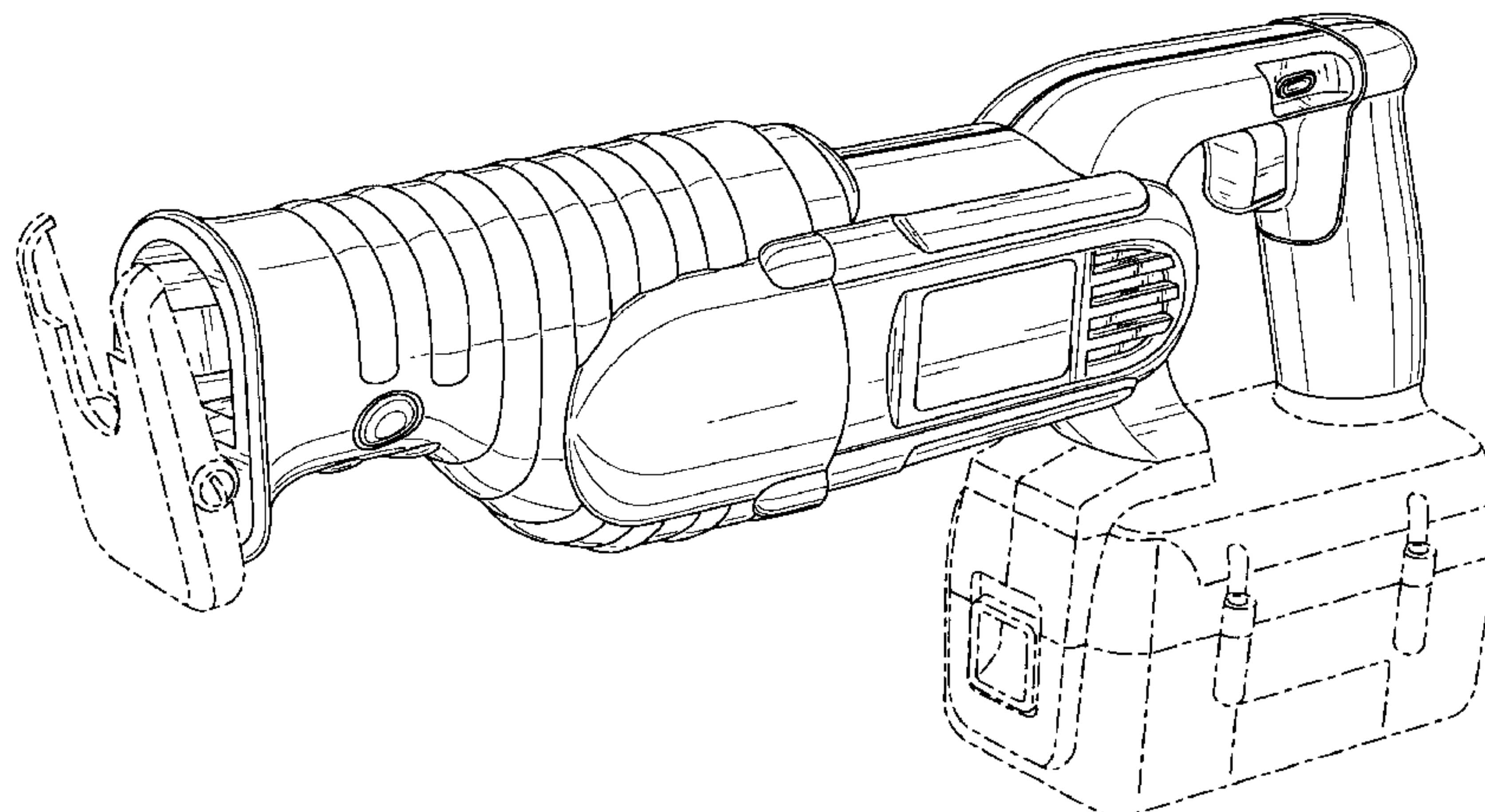
FIG. 5 is a left side elevational view thereof.

FIG. 6 is a top plan view thereof; and,

FIG. 7 is a bottom plan view thereof.

The broken lines shown in the drawings form no part of the claimed design.

1 Claim, 6 Drawing Sheets



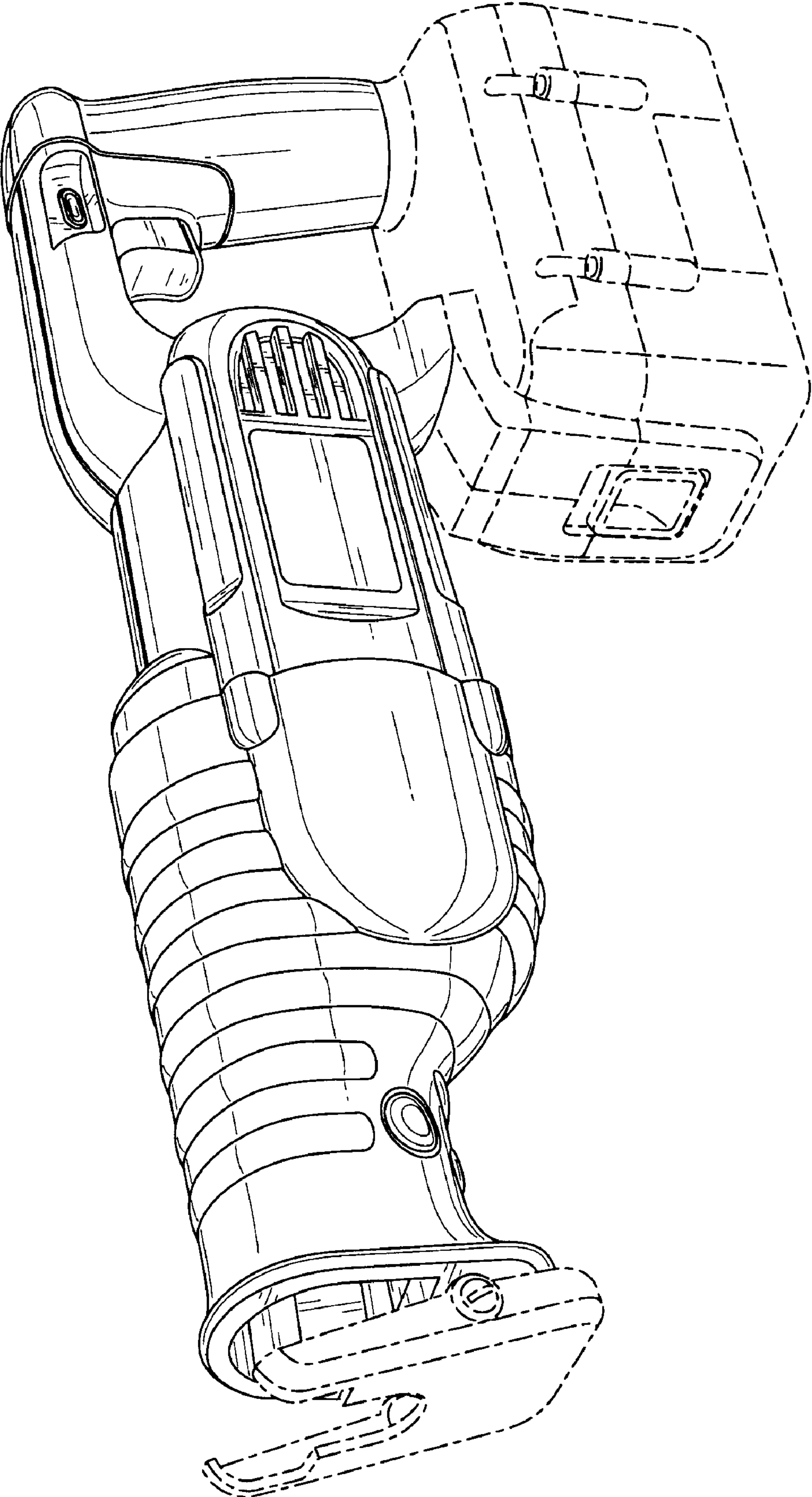


FIG. 1

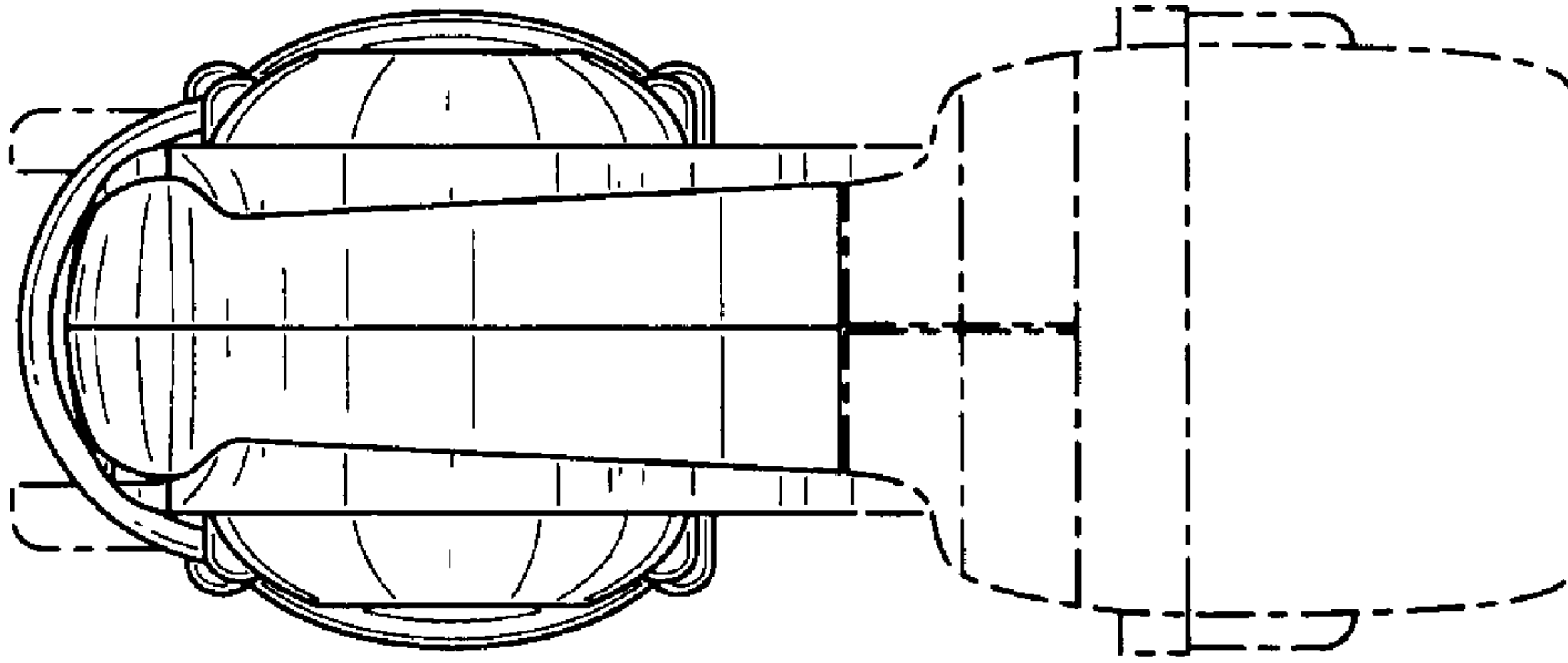


FIG. 3

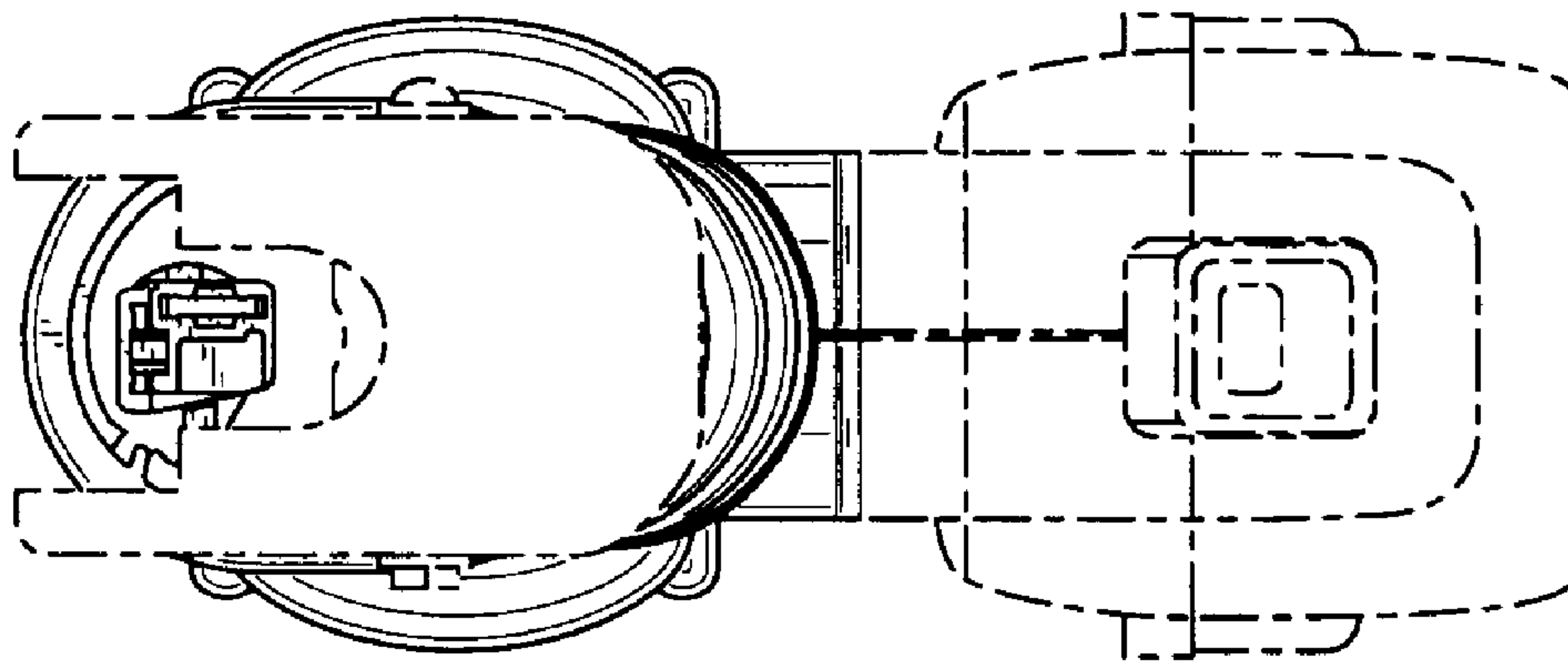


FIG. 2

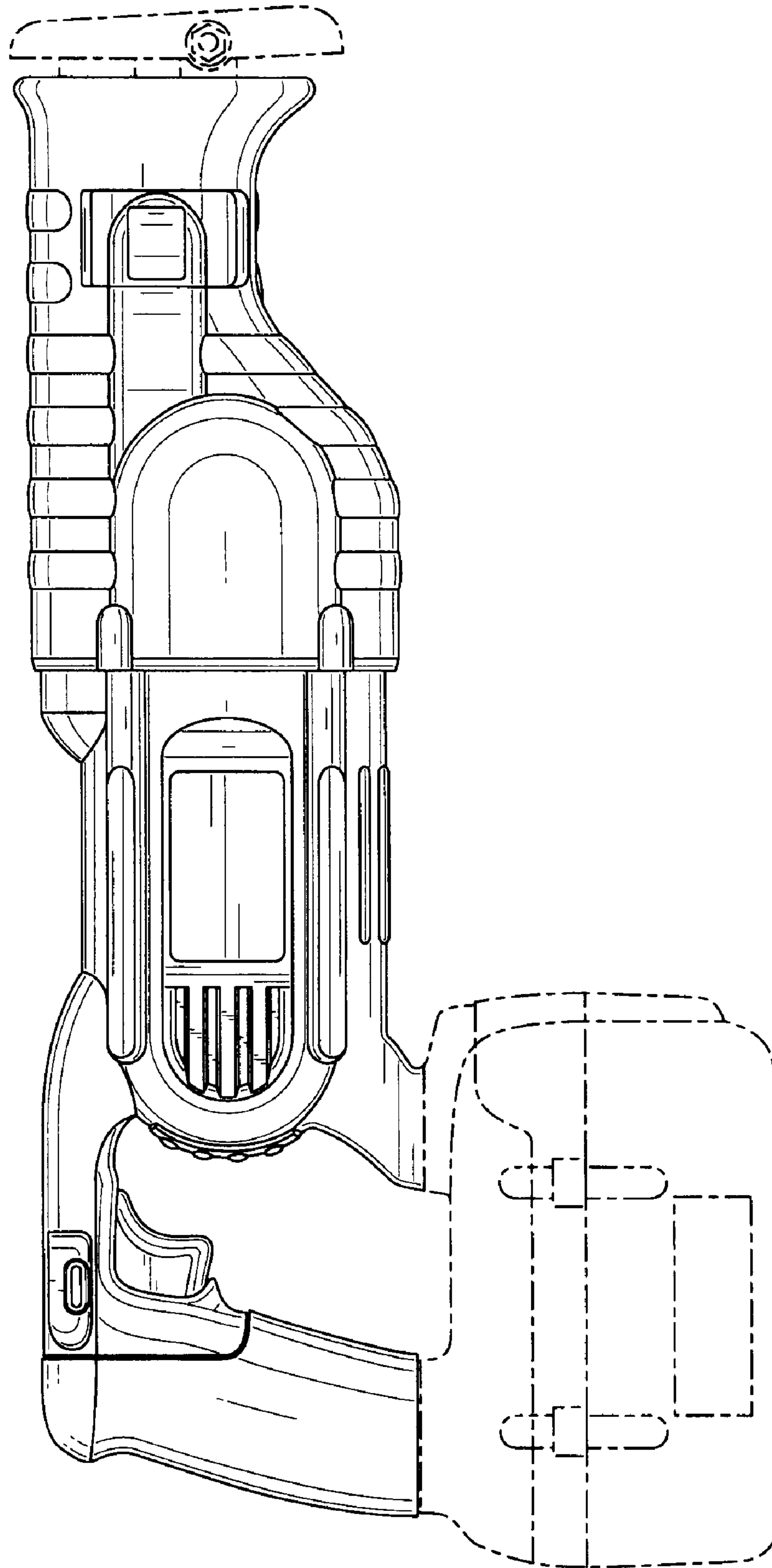


FIG. 4

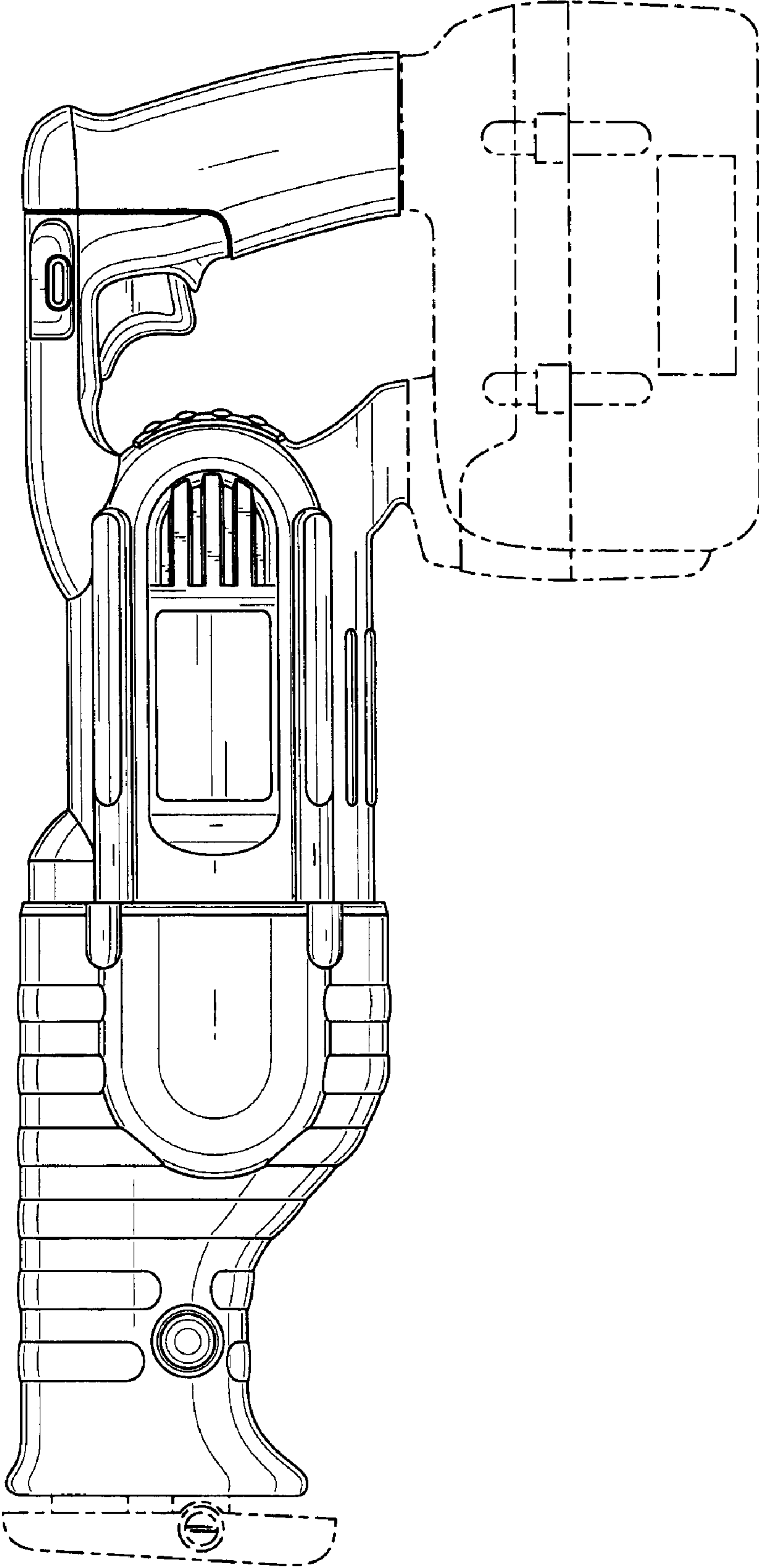


FIG. 5

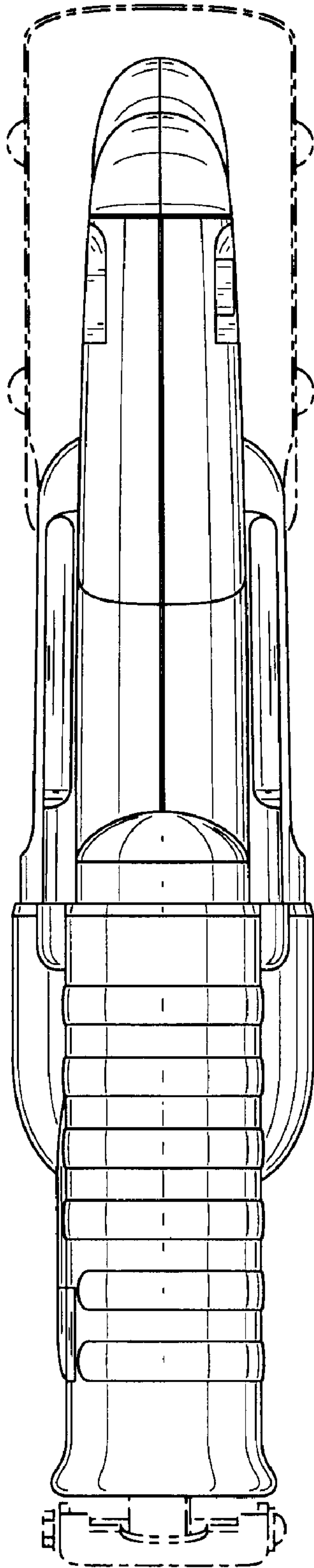


FIG. 6

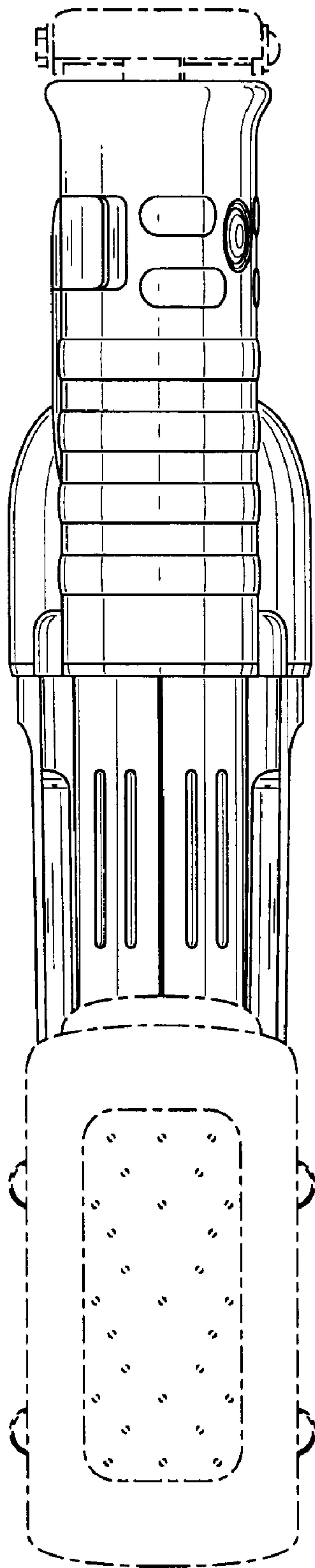


FIG. 7