



US00D524131S

(12) **United States Design Patent**  
**Chunn et al.**

(10) **Patent No.:** **US D524,131 S**

(45) **Date of Patent:** **\*\* Jul. 4, 2006**

- (54) **RECIPROCATING SAW**
- (75) Inventors: **Daniel Alex Chunn**, Kowloon (HK);  
**Borislav Popov**, Causeway Bay (HK)
- (73) Assignee: **One World Technologies Limited**,  
Hamilton (BE)
- (\*\*) Term: **14 Years**
- (21) Appl. No.: **29/205,595**
- (22) Filed: **May 18, 2004**
- (51) **LOC (8) Cl.** ..... **08-03**
- (52) **U.S. Cl.** ..... **D8/64**
- (58) **Field of Classification Search** ..... D8/69,  
D8/68, 67, 66, 65, 64, 62, 61; 30/92, 394,  
30/393, 392, 377, 376, 371; 74/50, 49; 173/217,  
173/216; 83/699.21; 446/145  
See application file for complete search history.

- D471,417 S 3/2003 Chunn et al.
- D471,418 S 3/2003 Chunn et al.
- D473,771 S \* 4/2003 Hayakawa et al. .... D8/64
- D474,088 S \* 5/2003 Chunn et al. .... D8/64
- D479,453 S 9/2003 Lind et al.
- D480,616 S \* 10/2003 Welsh ..... D8/64
- 2004/0098870 A1 \* 5/2004 Nemazi et al. .... 30/392
- 2004/0255475 A1 \* 12/2004 Hirabayashi et al. .... 30/392
- 2005/0257382 A1 \* 11/2005 Lui et al. .... 30/392
- 2005/0267776 A1 \* 12/2005 Selby et al. .... 705/1

\* cited by examiner

*Primary Examiner*—Cathron C. Brooks

*Assistant Examiner*—Austin Murphy

(74) *Attorney, Agent, or Firm*—Brinks Hofer Gilson & Lione

(57) **CLAIM**

We claim the ornamental design for a reciprocating saw, as shown and described.

**DESCRIPTION**

FIG. 1 is a top perspective view of a reciprocating saw of the present invention;

FIG. 2 is a first side view thereof;

FIG. 3 is a second side view thereof;

FIG. 4 is a top view thereof;

FIG. 5 is a bottom view thereof;

FIG. 6 is a front view thereof; and,

FIG. 7 is a rear view thereof.

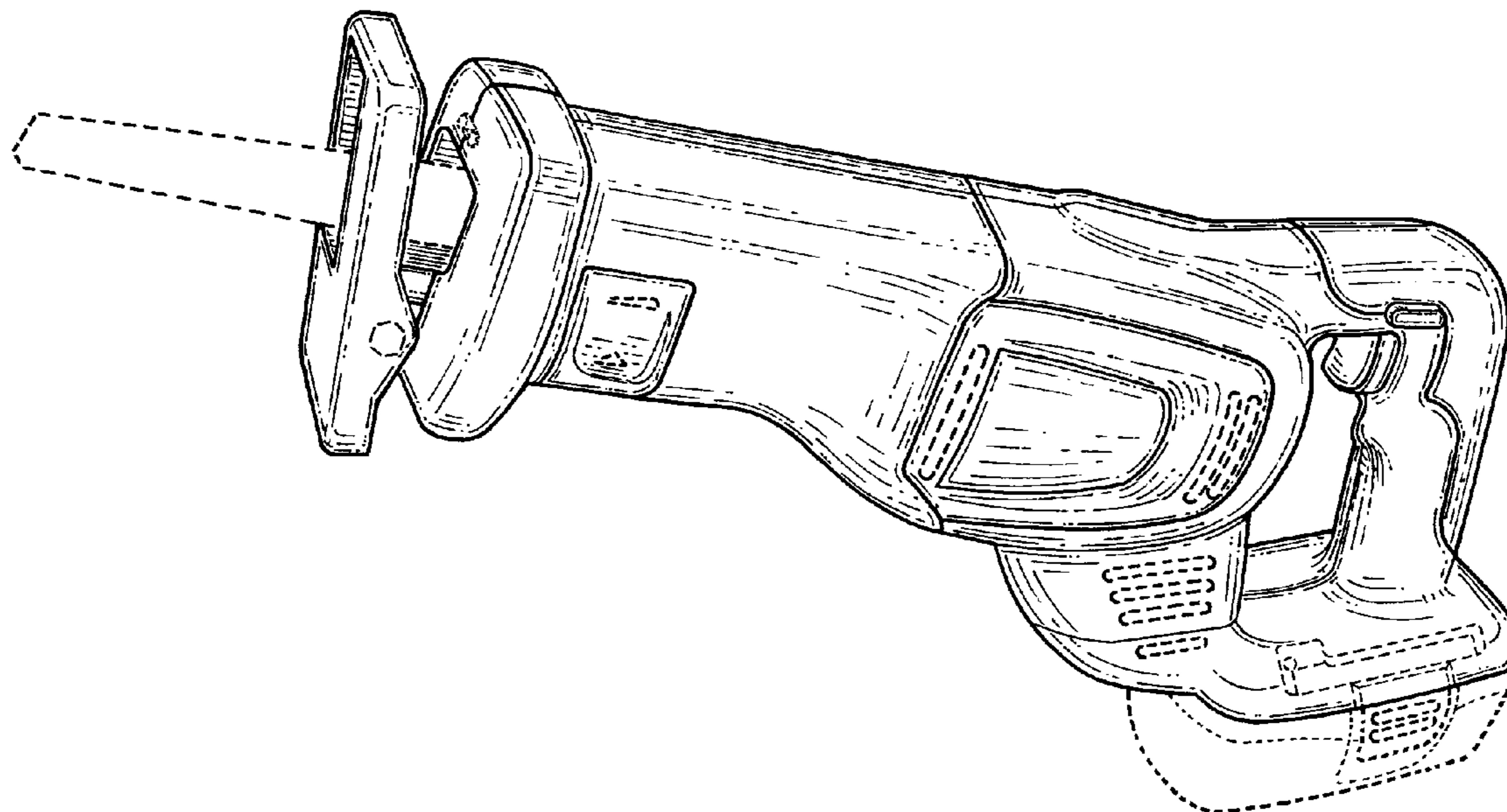
The ornamental design which is claimed is shown in solid lines in the drawings. Any broken lines in the drawings are for illustrative purposes only and form no part of the claimed design.

**1 Claim, 5 Drawing Sheets**

(56) **References Cited**

**U.S. PATENT DOCUMENTS**

- D401,128 S \* 11/1998 Zurwelle ..... D8/64
- D428,786 S \* 8/2000 Hayakawa et al. .... D8/64
- D434,627 S \* 12/2000 Buck ..... D8/64
- 6,189,217 B1 \* 2/2001 Melvin et al. .... 30/125
- D440,849 S \* 4/2001 Sakai et al. .... D8/64
- 6,237,698 B1 5/2001 Carrier et al.
- 6,272,757 B1 \* 8/2001 Roe ..... 30/377
- 6,286,609 B1 9/2001 Carrier et al.
- 6,296,065 B1 10/2001 Carrier
- D456,233 S \* 4/2002 Main ..... D8/64
- 6,460,626 B1 10/2002 Carrier
- 6,484,409 B1 \* 11/2002 Campbell et al. .... 30/371
- D468,982 S 1/2003 Brazell et al.



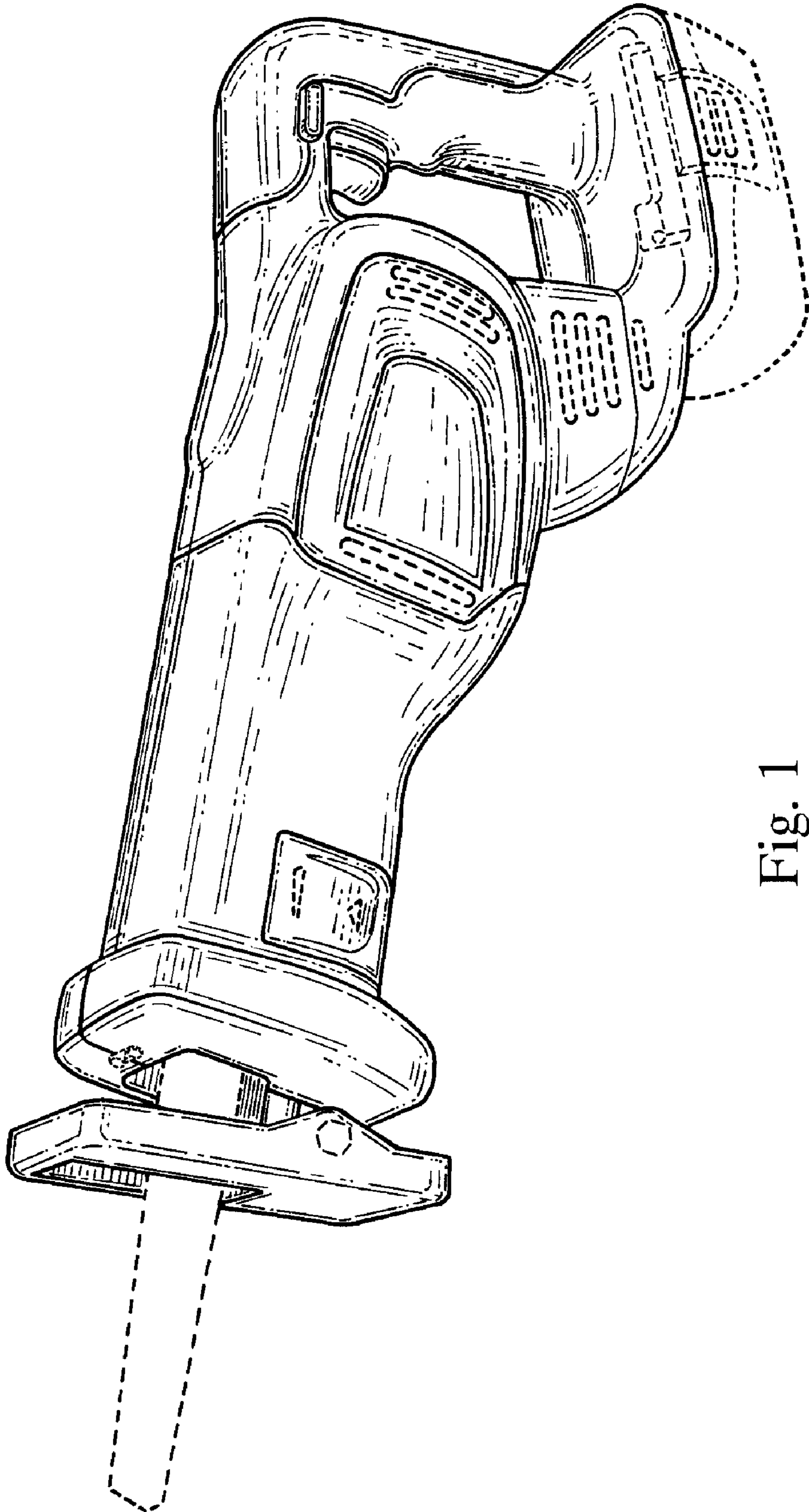


Fig. 1

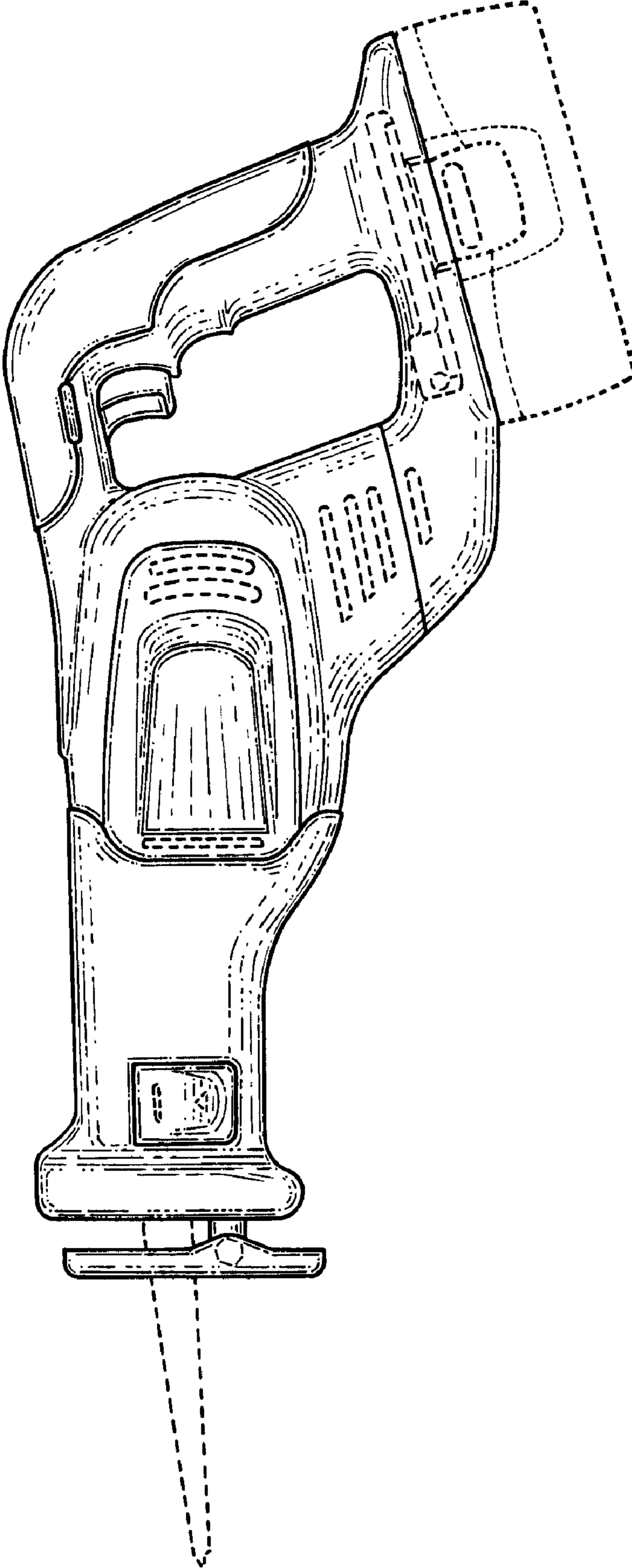


Fig. 2

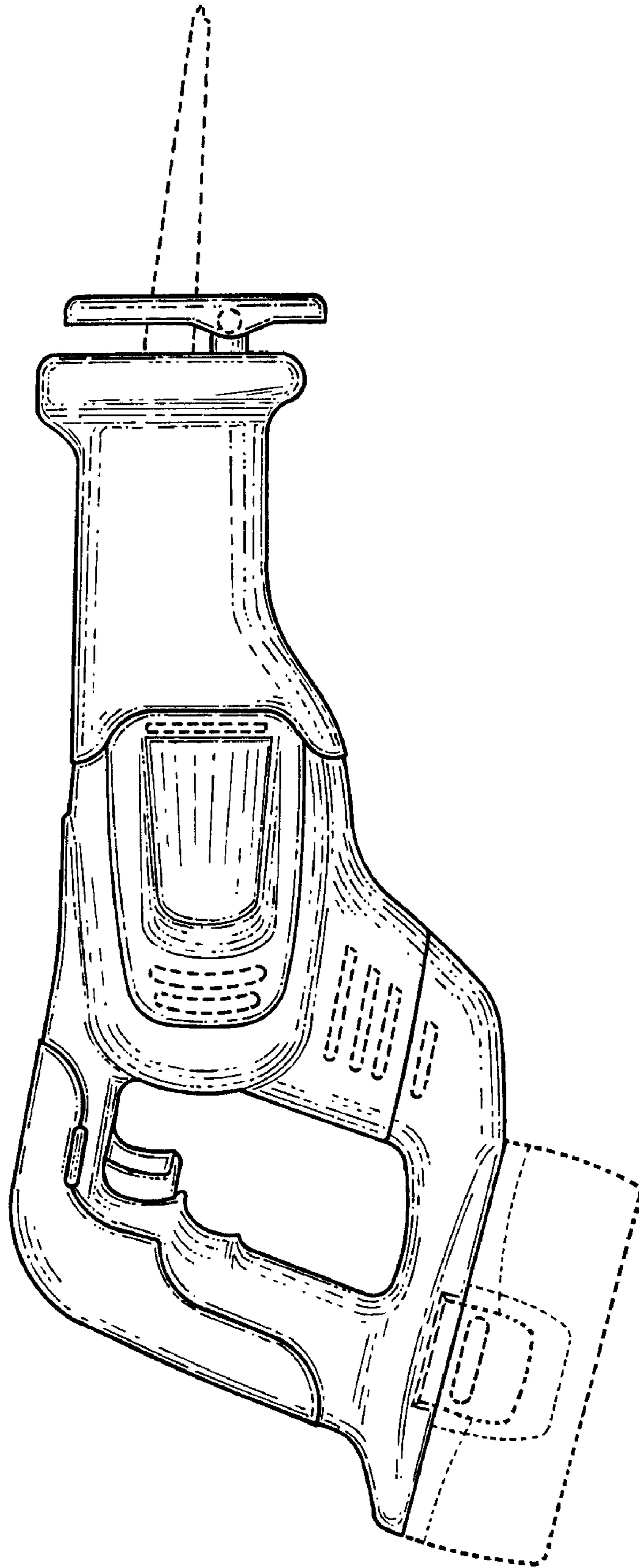


Fig. 3

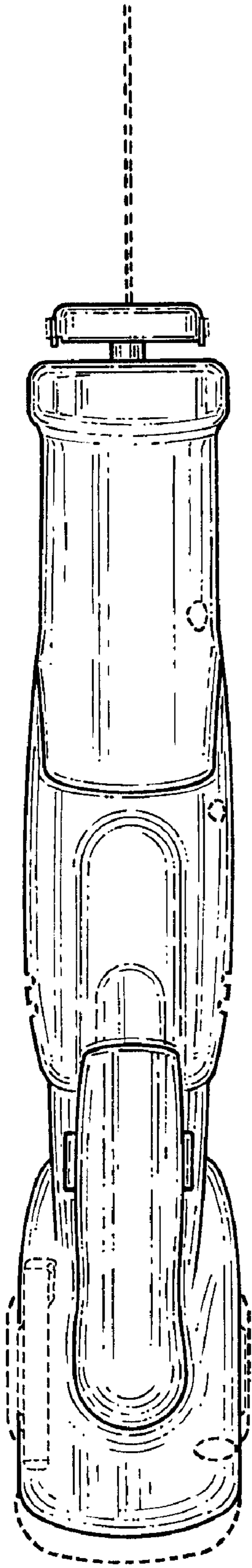


Fig. 4

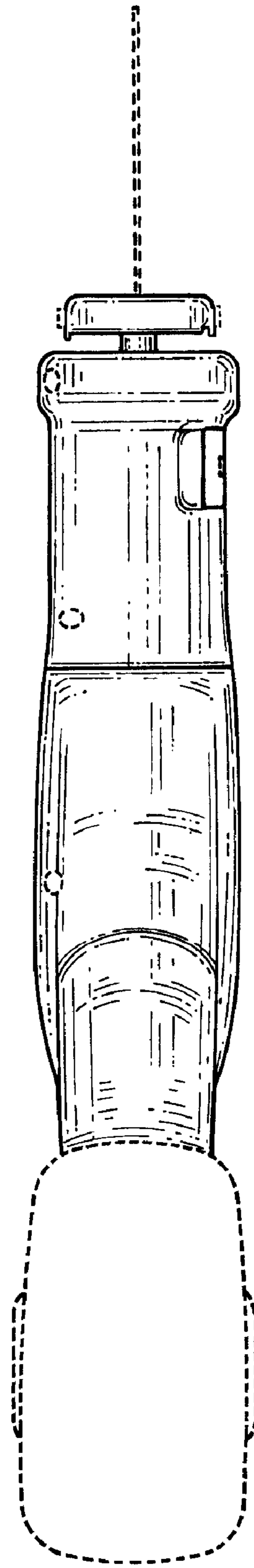


Fig. 5

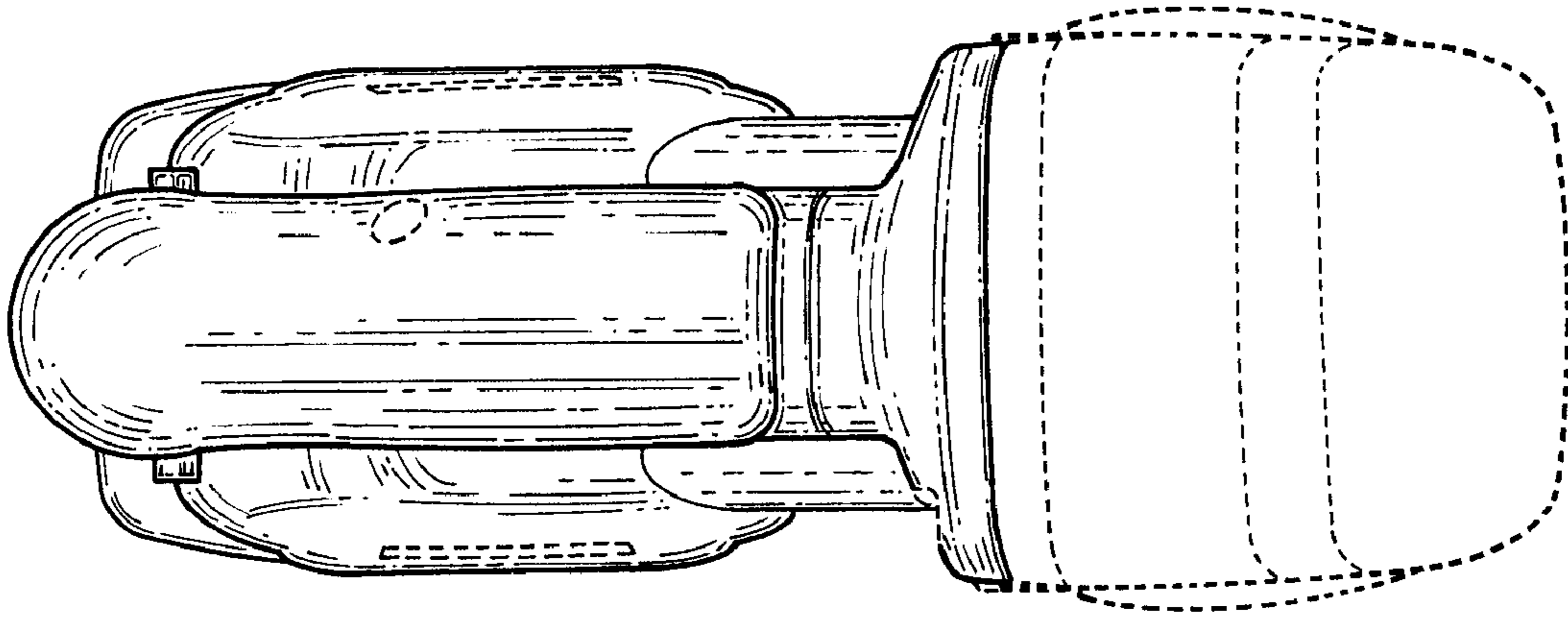


Fig. 7

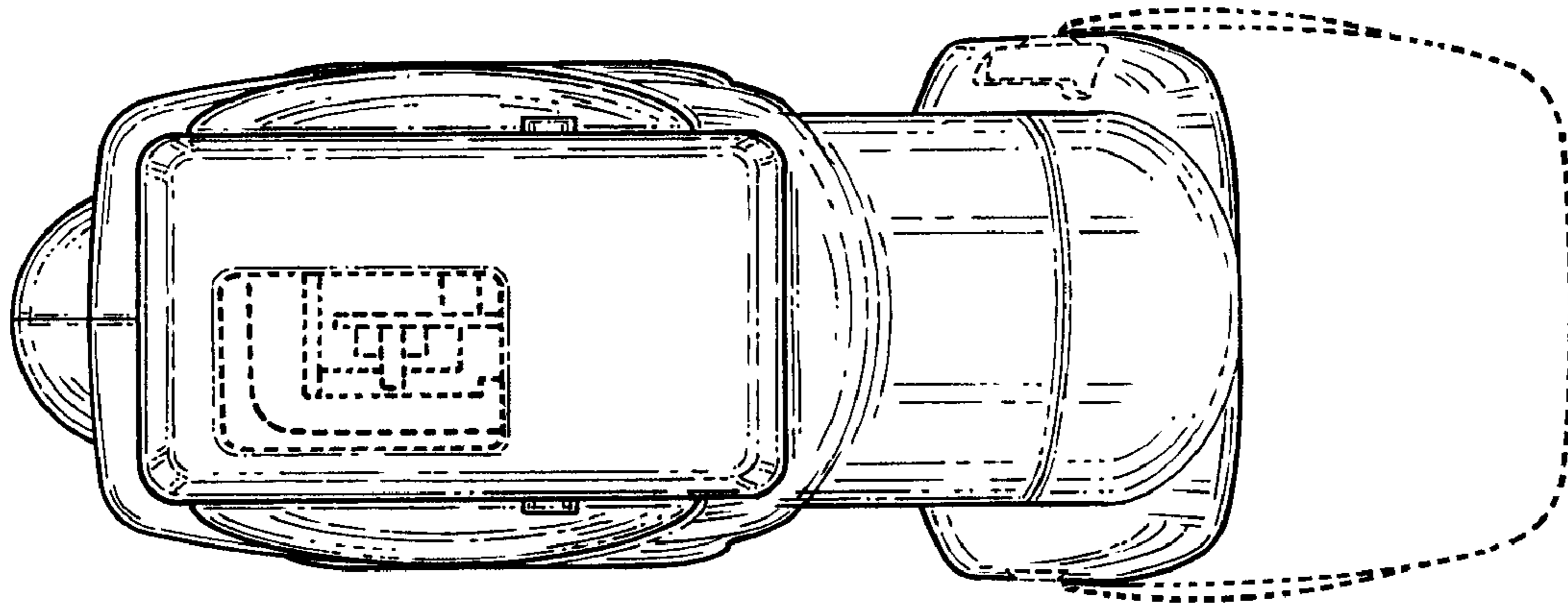


Fig. 6