



US00D524130S

(12) **United States Design Patent**  
**Wolf et al.**

(10) **Patent No.:** **US D524,130 S**  
(45) **Date of Patent:** **\*\* Jul. 4, 2006**

- (54) **RECIPROCATING SAW**
- (75) Inventors: **Bradley Wolf**, Glenview, IL (US);  
**Christopher Barmore**, Chicago, IL (US)
- (73) Assignee: **Credo Technology Corporation**,  
Broadview, IL (US)
- (\*\*) Term: **14 Years**
- (21) Appl. No.: **29/200,037**
- (22) Filed: **Feb. 23, 2004**
- (51) **LOC (8) Cl.** ..... **08-03**
- (52) **U.S. Cl.** ..... **D8/64**
- (58) **Field of Classification Search** ..... D8/69,  
D8/68, 67, 66, 65, 64, 62, 61; 30/92, 394,  
30/393, 392, 377, 376, 371; 74/50, 49; 173/217,  
173/216; 83/699.21; 446/145  
See application file for complete search history.

(56) **References Cited**  
U.S. PATENT DOCUMENTS

5,855,070	A *	1/1999	Grabowski	30/376
D504,603	S *	5/2005	Xiaoxian	D8/64
D506,117	S *	6/2005	Sun et al.	D8/64
6,912,790	B1 *	7/2005	James et al.	30/392
2002/0144411	A1 *	10/2002	Brooks	30/392
2003/0110645	A1 *	6/2003	Phillips et al.	30/392

2003/0163924	A1 *	9/2003	Hempe et al.	30/388
2004/0148789	A1 *	8/2004	Gist et al.	30/392
2004/0149553	A1 *	8/2004	Duffek et al.	200/61.58 R
2005/0092156	A1 *	5/2005	Michel et al.	83/698.11
2005/0126018	A1 *	6/2005	Haas	30/394
2005/0183271	A1 *	8/2005	Sugiura et al.	30/392
2005/0262710	A1 *	12/2005	Moreno	30/394

\* cited by examiner

*Primary Examiner*—Cathron C. Brooks  
*Assistant Examiner*—Austin Murphy

(74) *Attorney, Agent, or Firm*—Victor A. Henzi

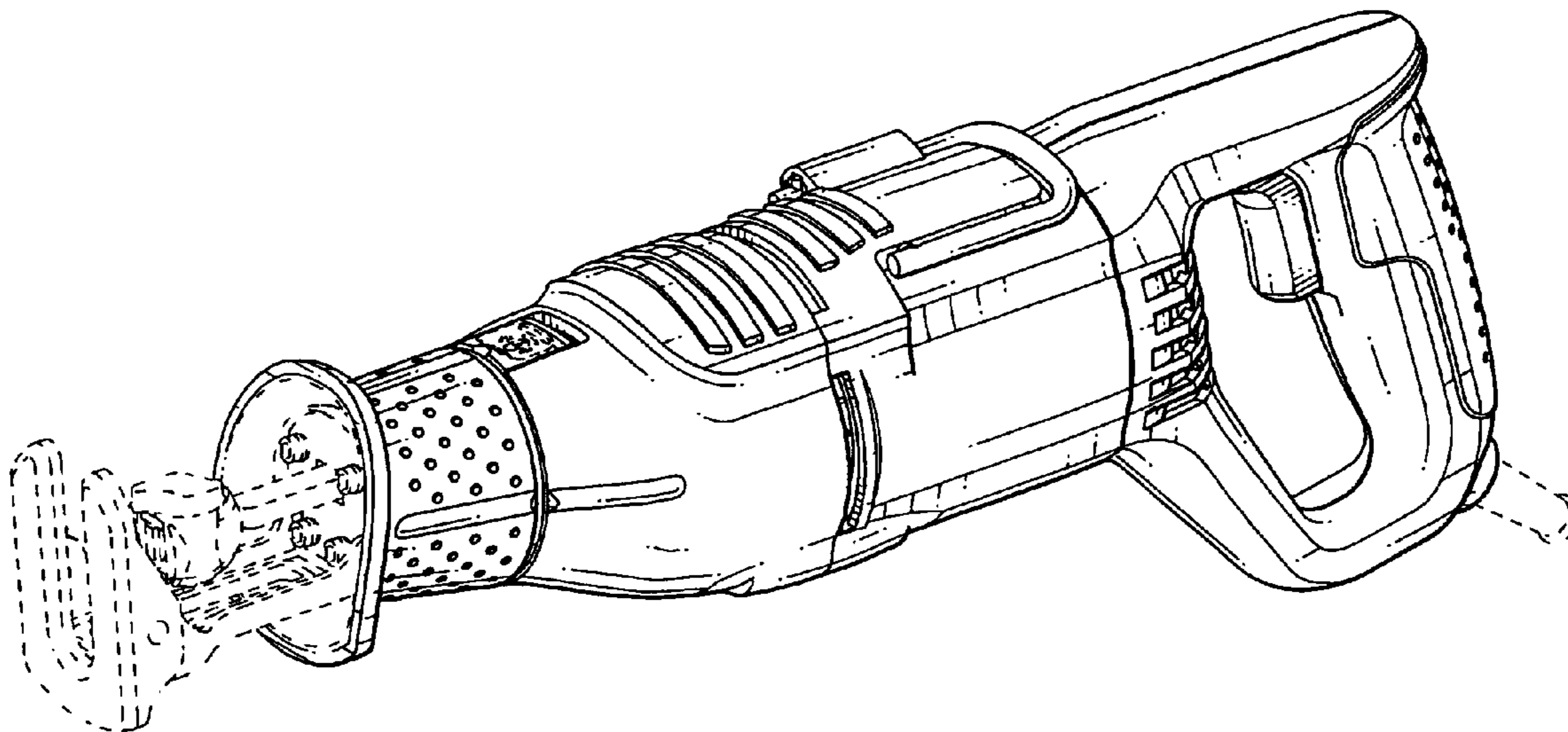
(57) **CLAIM**

The ornamental design for a reciprocating saw, as shown and described.

**DESCRIPTION**

FIG. 1 is a front left perspective view of the present new design for a reciprocating saw;  
FIG. 2 is a left elevational view thereof;  
FIG. 3 is a right elevational view thereof;  
FIG. 4 is a top plan view thereof;  
FIG. 5 is a bottom plan view thereof;  
FIG. 6 is front elevational view thereof; and,  
FIG. 7 is a rear elevational view thereof.  
The broken lines showing various features of a reciprocating saw are for illustrative purposes only and form no part of the claimed design.

**1 Claim, 5 Drawing Sheets**



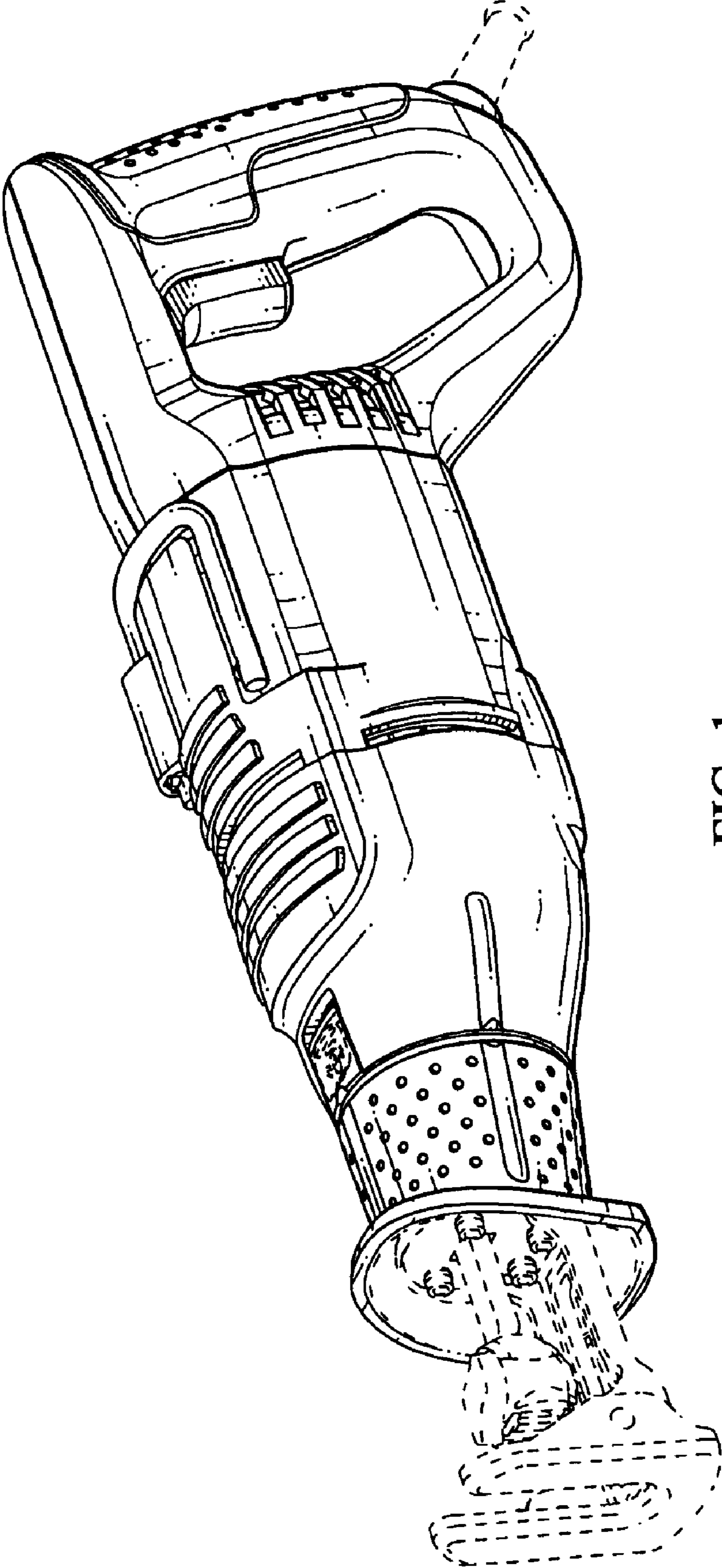


FIG. 1

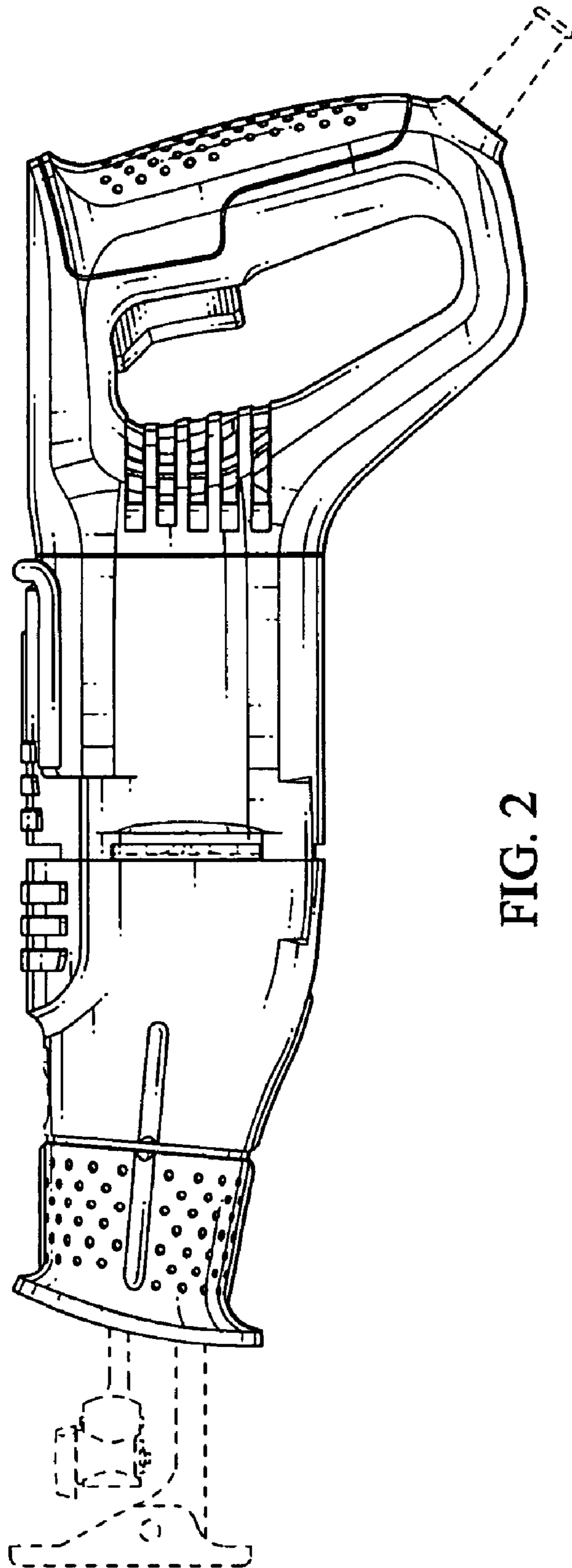


FIG. 2

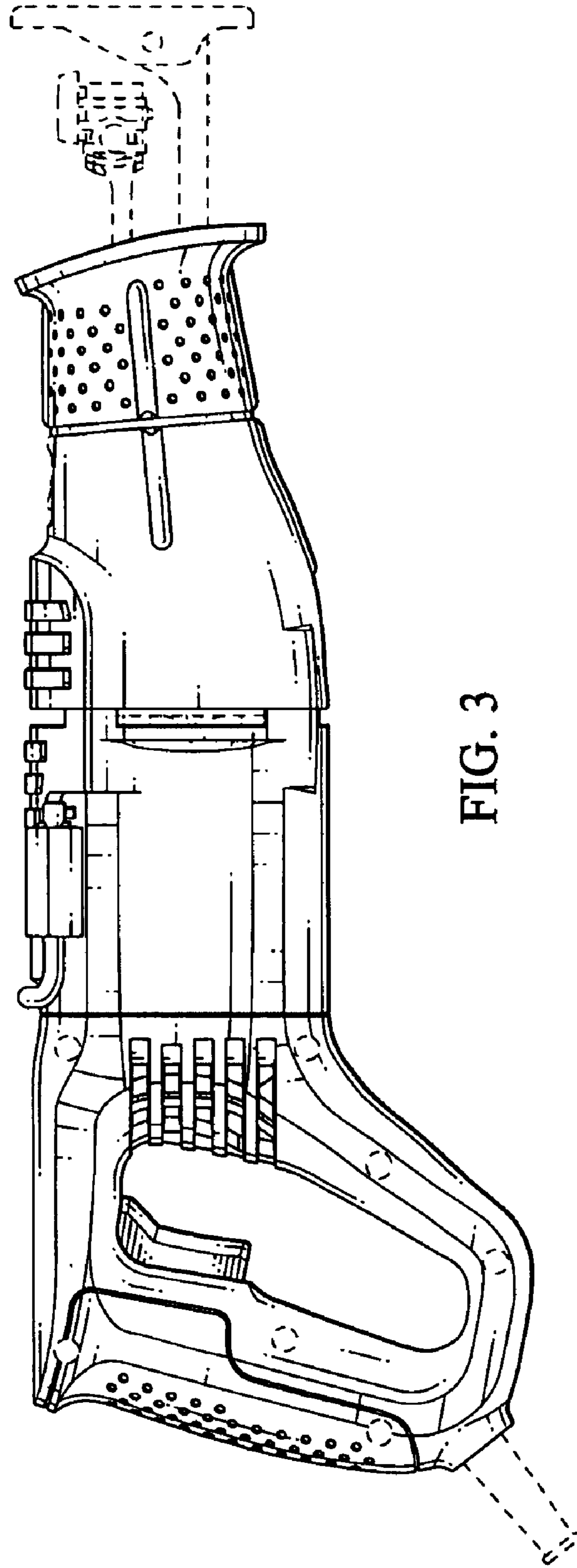


FIG. 3

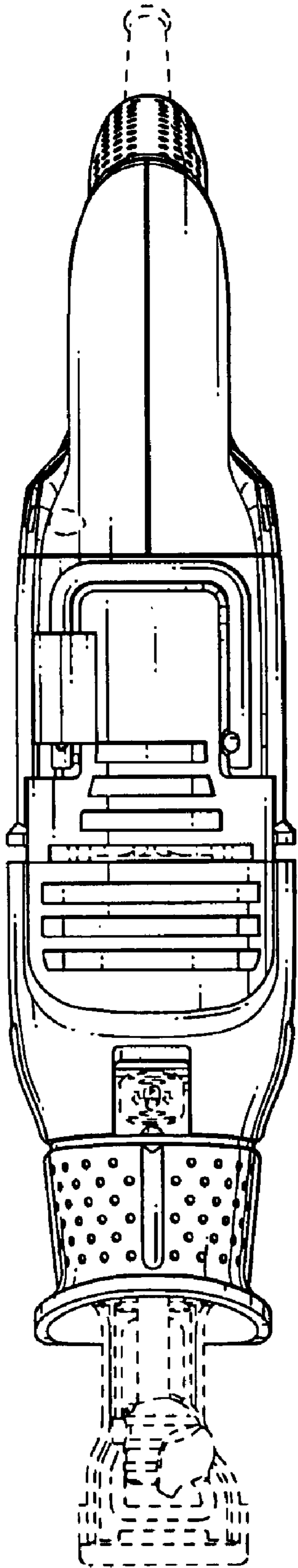


FIG. 4

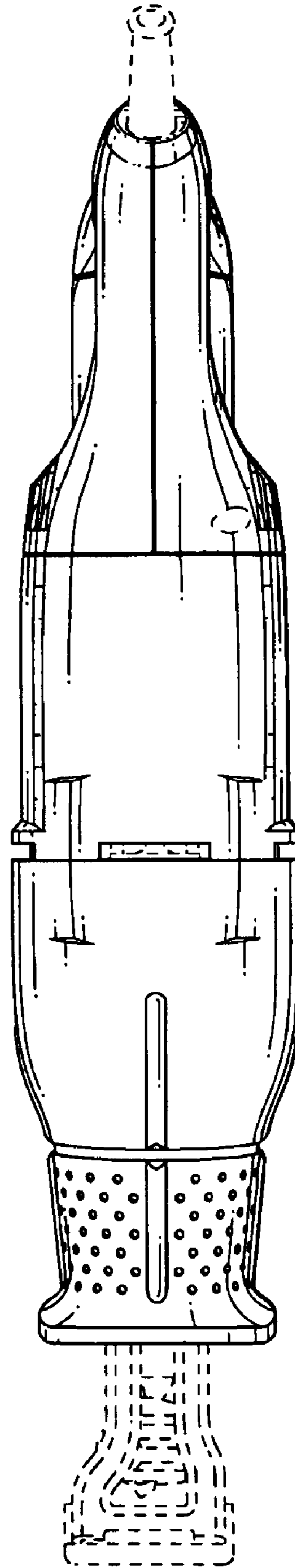


FIG. 5

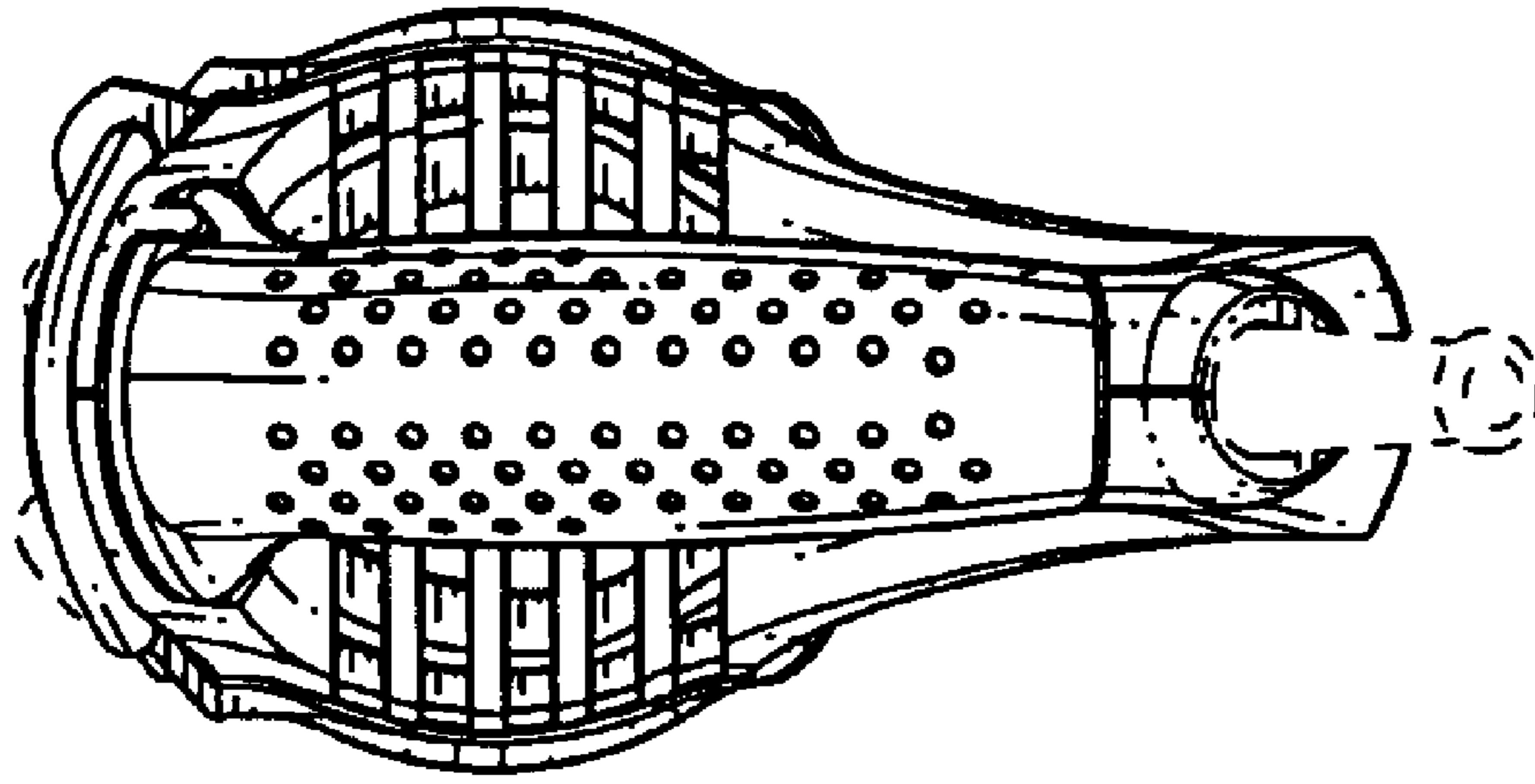


FIG. 7

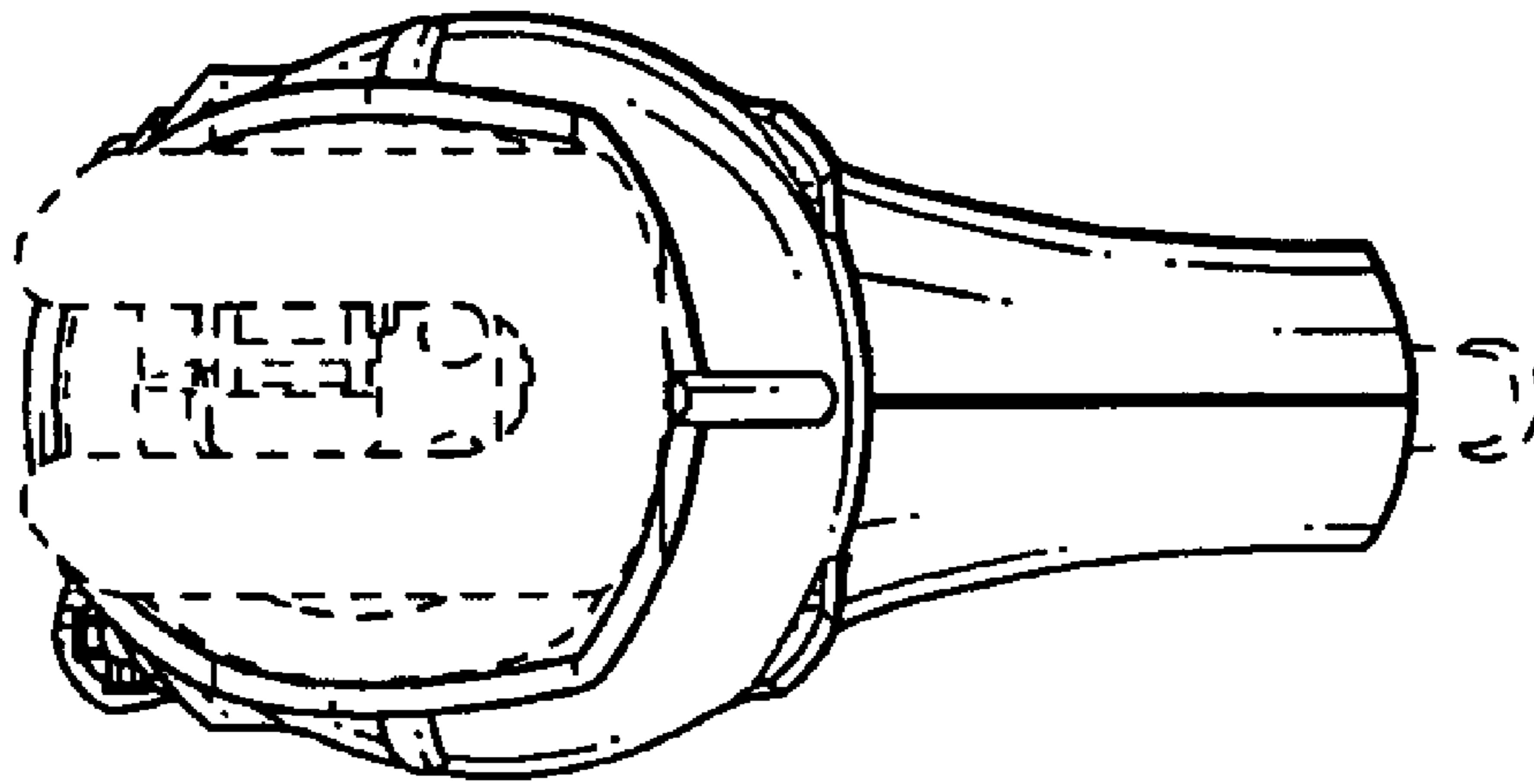


FIG. 6