

US00D524129S

(12) **United States Design Patent**
Waldron

(10) **Patent No.:** **US D524,129 S**
(45) **Date of Patent:** **** Jul. 4, 2006**

(54) **ANGLE GRINDER**

(75) Inventor: **Michael Waldron**, Chester le Street
(GB)

(73) Assignee: **GMCA PTY Ltd.** (AU)

(**) Term: **14 Years**

(21) Appl. No.: **29/222,581**

(22) Filed: **Jan. 31, 2005**

(30) **Foreign Application Priority Data**

Nov. 23, 2004 (EM) 000259809

(51) **LOC (8) Cl.** **08-01**

(52) **U.S. Cl.** **D8/62**

(58) **Field of Classification Search** D8/69,
D8/67, 62, 61; 451/359, 358, 357, 356, 354,
451/353, 351, 344, 294; 173/168

See application file for complete search history.

(56) **References Cited**

U.S. PATENT DOCUMENTS

D107,275 S	*	11/1937	Albertson	D8/62
D255,417 S	*	6/1980	Sakamoto et al.	D8/62
D295,824 S	*	5/1988	Hoshino et al.	D8/62
D396,175 S	*	7/1998	Chung	D8/62
6,132,301 A	*	10/2000	Kaiser	451/450

6,241,594 B1	*	6/2001	Lepold	451/359
D453,288 S	*	2/2002	Lui	D8/62
D475,263 S	*	6/2003	Andriolo	D8/62
D491,033 S	*	6/2004	Bian	D8/62
D494,827 S	*	8/2004	Liu	D8/62
D498,653 S	*	11/2004	Wu	D8/62
6,872,121 B1	*	3/2005	Wiesner et al.	451/5
6,893,334 B1	*	5/2005	Stivers	451/359

* cited by examiner

Primary Examiner—Cathron C. Brooks

Assistant Examiner—Austin Murphy

(74) *Attorney, Agent, or Firm*—McKee, Voorhees & Sease, P.L.C.

(57) **CLAIM**

I claim the ornamental design for a angle grinder, substantially as shown.

DESCRIPTION

FIG. 1 is a perspective view of the angle grinder.

FIG. 2 is side view of the angle grinder.

FIG. 3 is an opposite side view of the angle grinder.

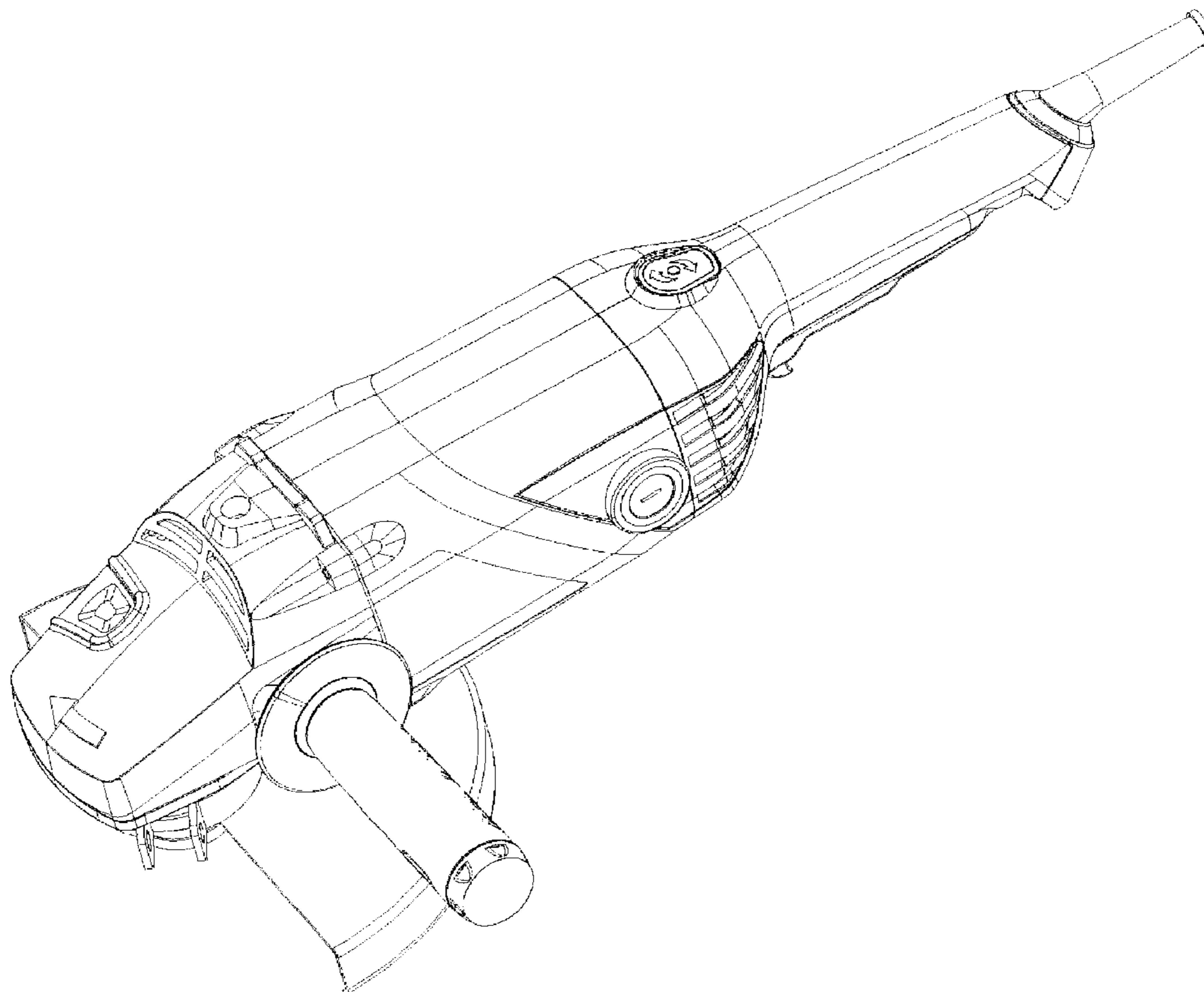
FIG. 4 is a top view of the angle grinder.

FIG. 5 is a bottom view of the angle grinder.

FIG. 6 is a front view of the angle grinder; and,

FIG. 7 is a rear view of the angle grinder.

1 Claim, 6 Drawing Sheets



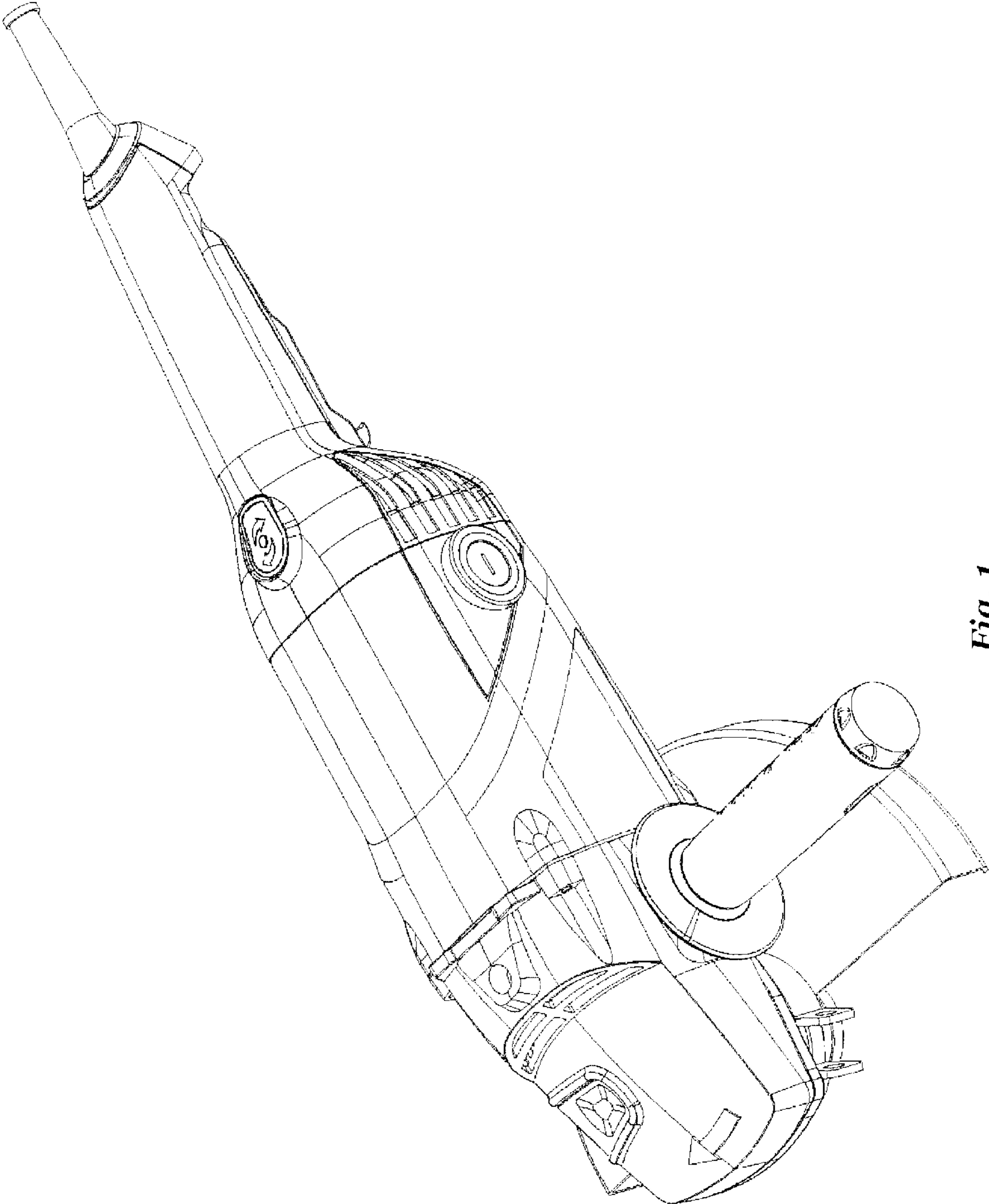


Fig. 1

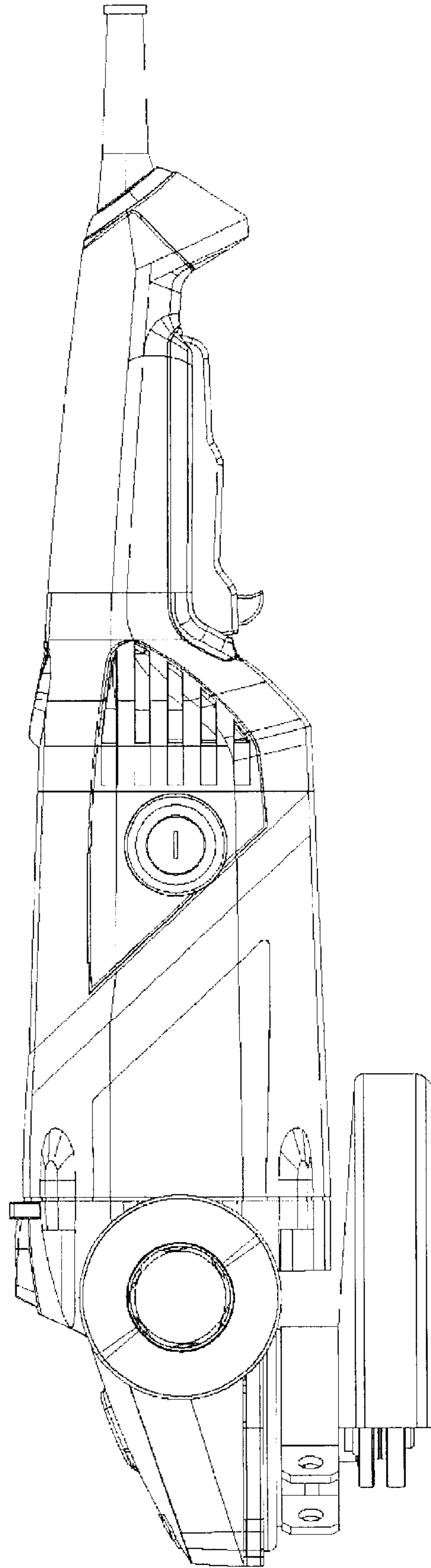


Fig. 2

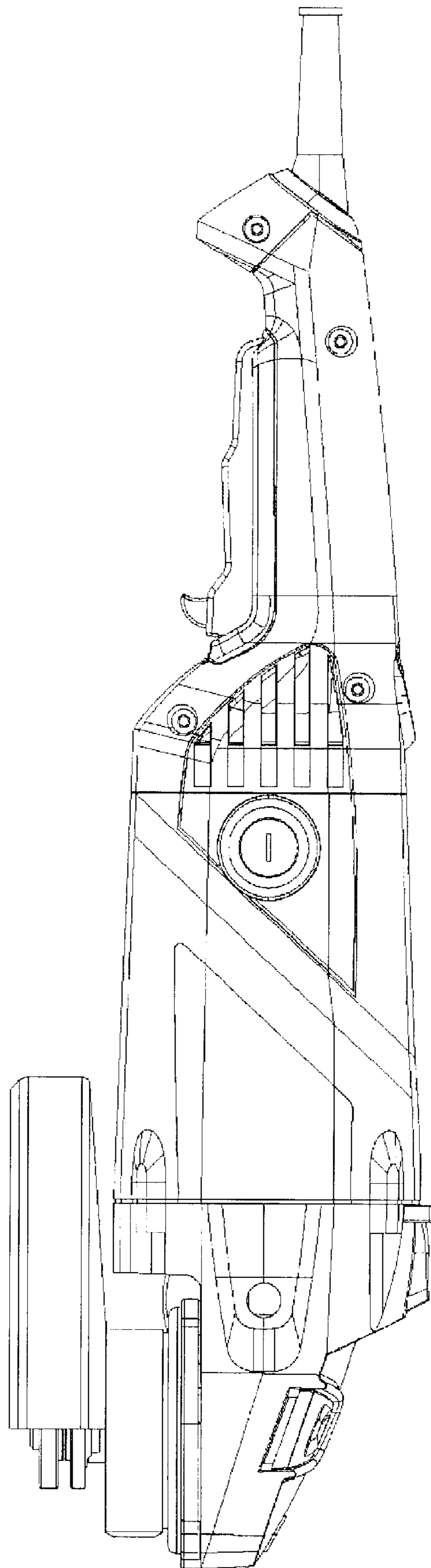


Fig. 3

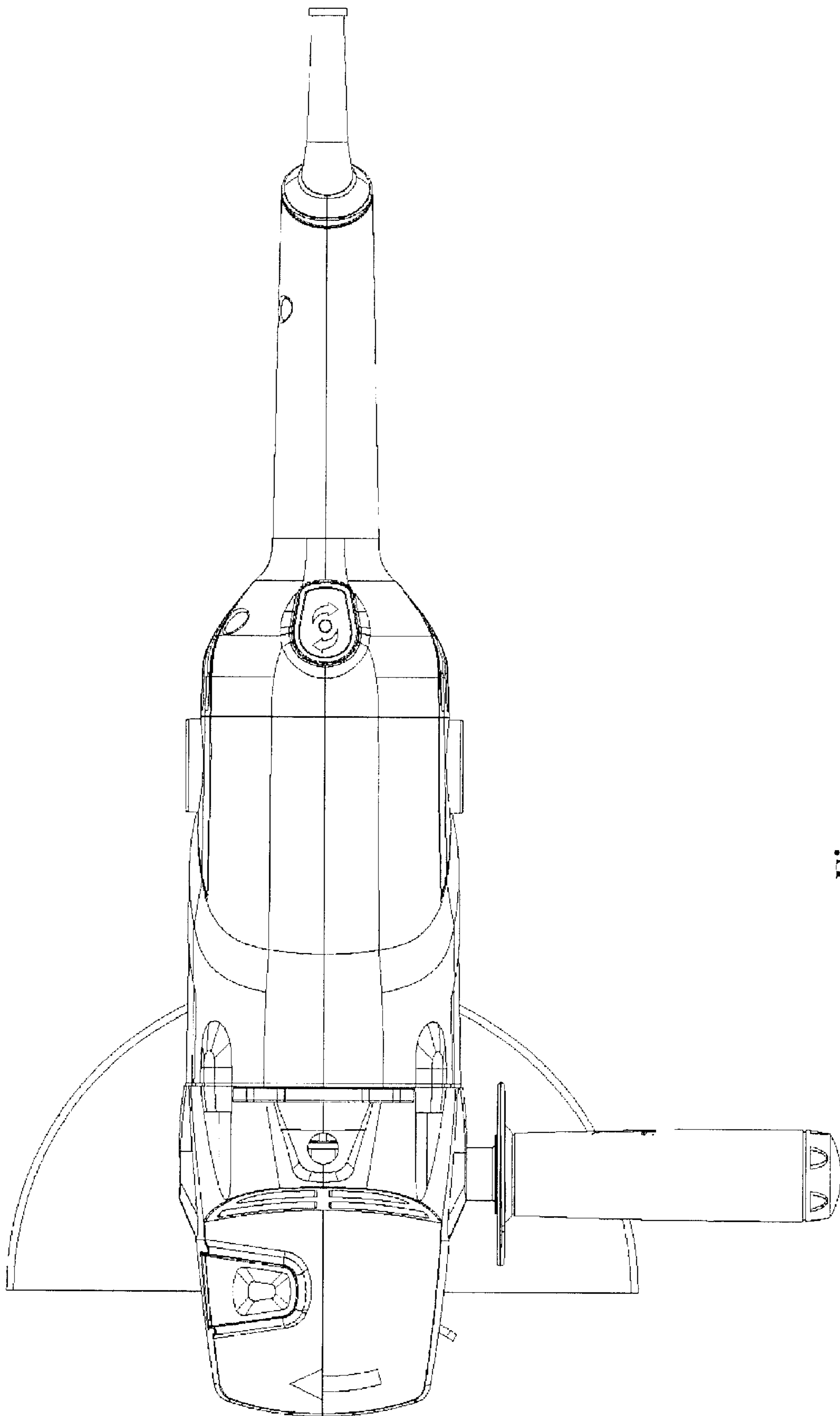


Fig. 4

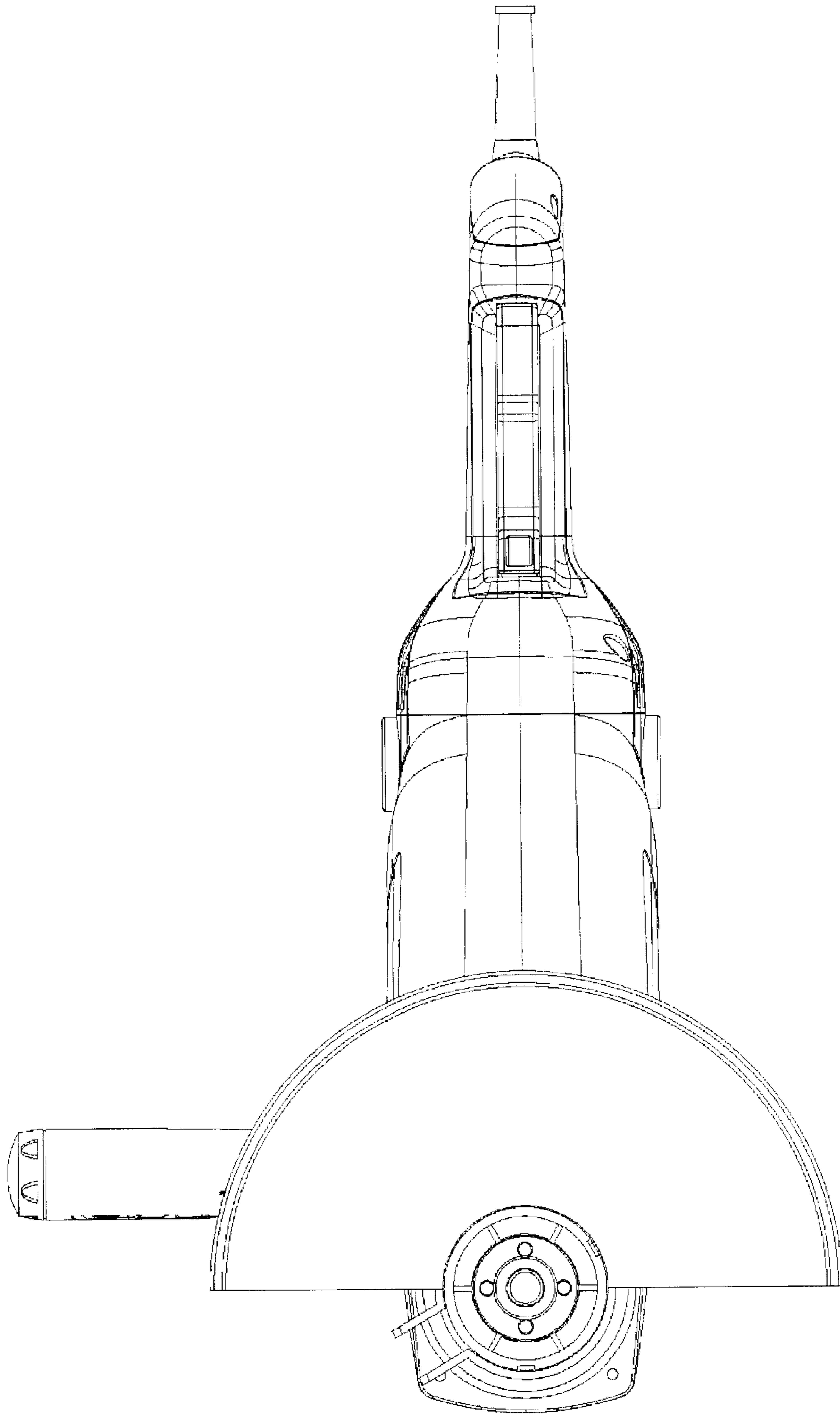


Fig. 5

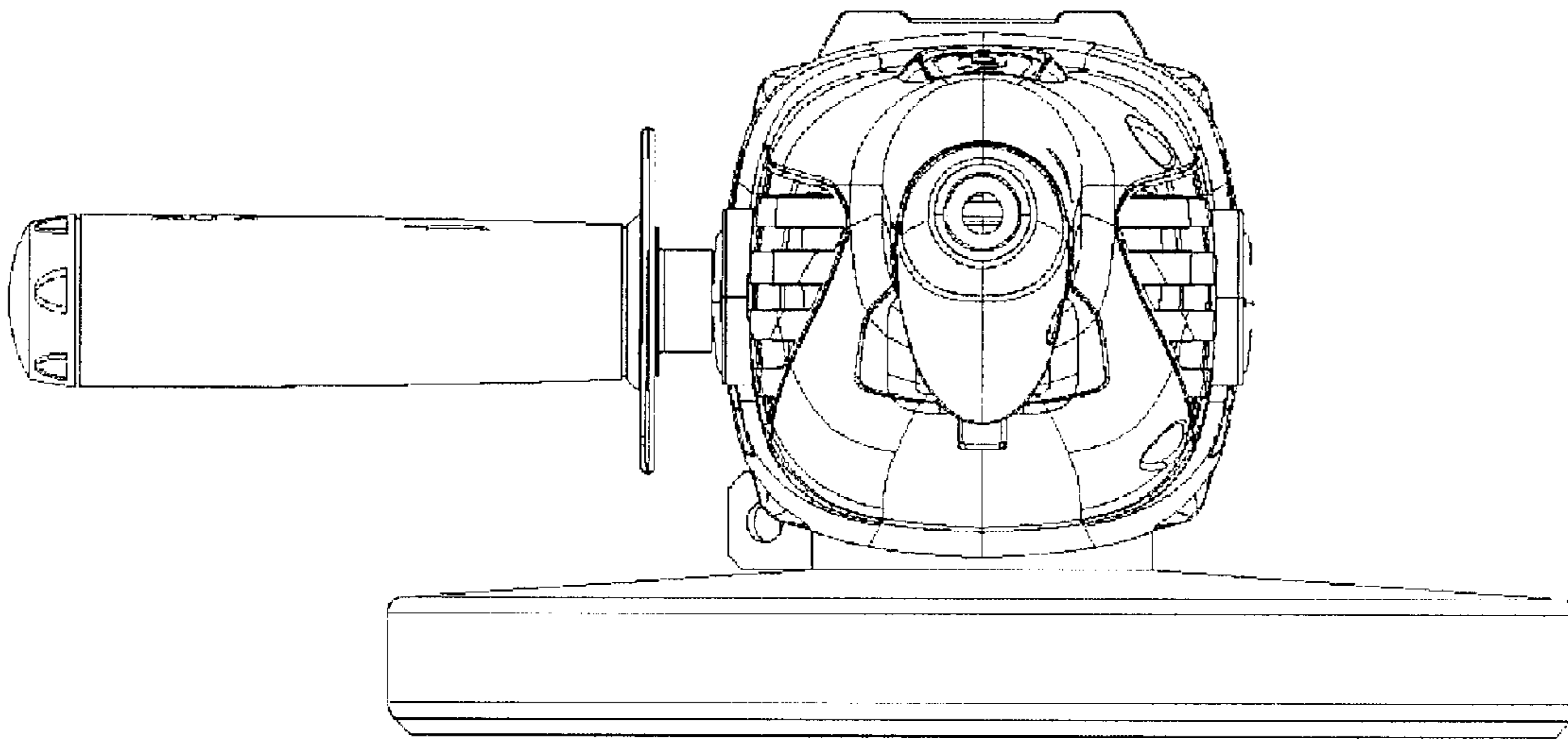


Fig. 6

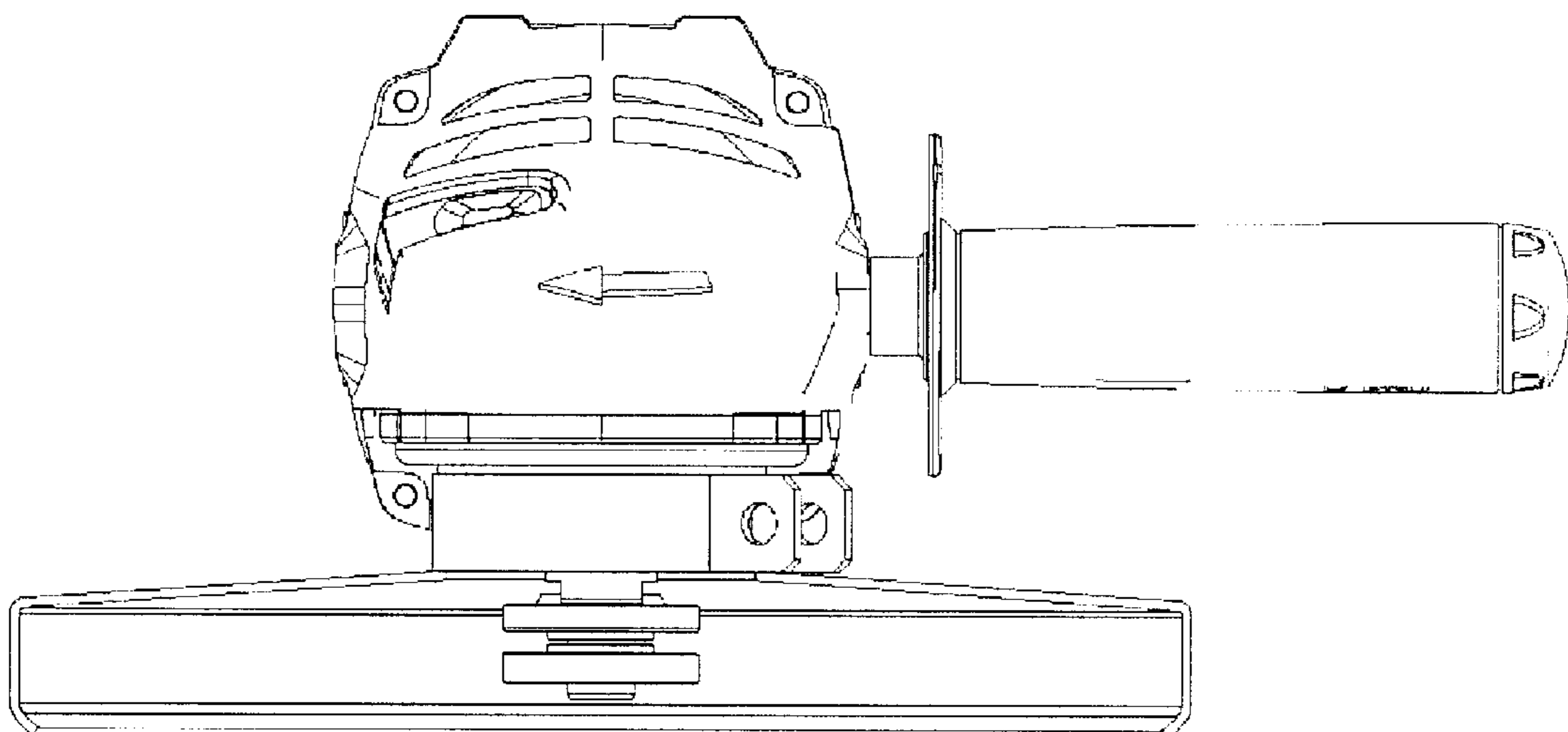


Fig. 7