



US00D524123S

(12) **United States Design Patent**
Holcomb et al.

(10) **Patent No.:** **US D524,123 S**

(45) **Date of Patent:** **** Jul. 4, 2006**

(54) **PIVOT GRINDER**

(75) Inventors: **David A. Holcomb**, Seattle, WA (US);
Adam A. Jossem, Seattle, WA (US)

(73) Assignee: **Chef'n Corporation**, Seattle, WA (US)

(**) Term: **14 Years**

(21) Appl. No.: **29/218,436**

(22) Filed: **Dec. 2, 2004**

(51) **LOC (8) Cl.** **07-04**

(52) **U.S. Cl.** **D7/679**

(58) **Field of Classification Search** D7/679,
D7/590-599, 372-374, 383, 384, 401.1;
241/168, 169, 169.1, 169.2, 262, 286, 273.2;
222/142.1-142.9

See application file for complete search history.

(56) **References Cited**

U.S. PATENT DOCUMENTS

- 2,490,721 A * 12/1949 Via 241/169
- 3,132,851 A * 5/1964 Tone et al. 241/292.1
- 4,374,574 A * 2/1983 David 241/169.1

- 6,606,939 B1 * 8/2003 Tateno 241/169.1
- 6,834,817 B1 * 12/2004 Manson 241/169.1
- 6,871,808 B1 * 3/2005 Holcomb et al. 241/169.1

* cited by examiner

Primary Examiner—Terry A. Wallace

(74) *Attorney, Agent, or Firm*—Seed IP Law Group PLLC

(57) **CLAIM**

The ornamental design for a pivot grinder, as shown and described.

DESCRIPTION

FIG. 1 is a perspective view of a pivot grinder showing our new design.

FIG. 2 is a front elevation view thereof.

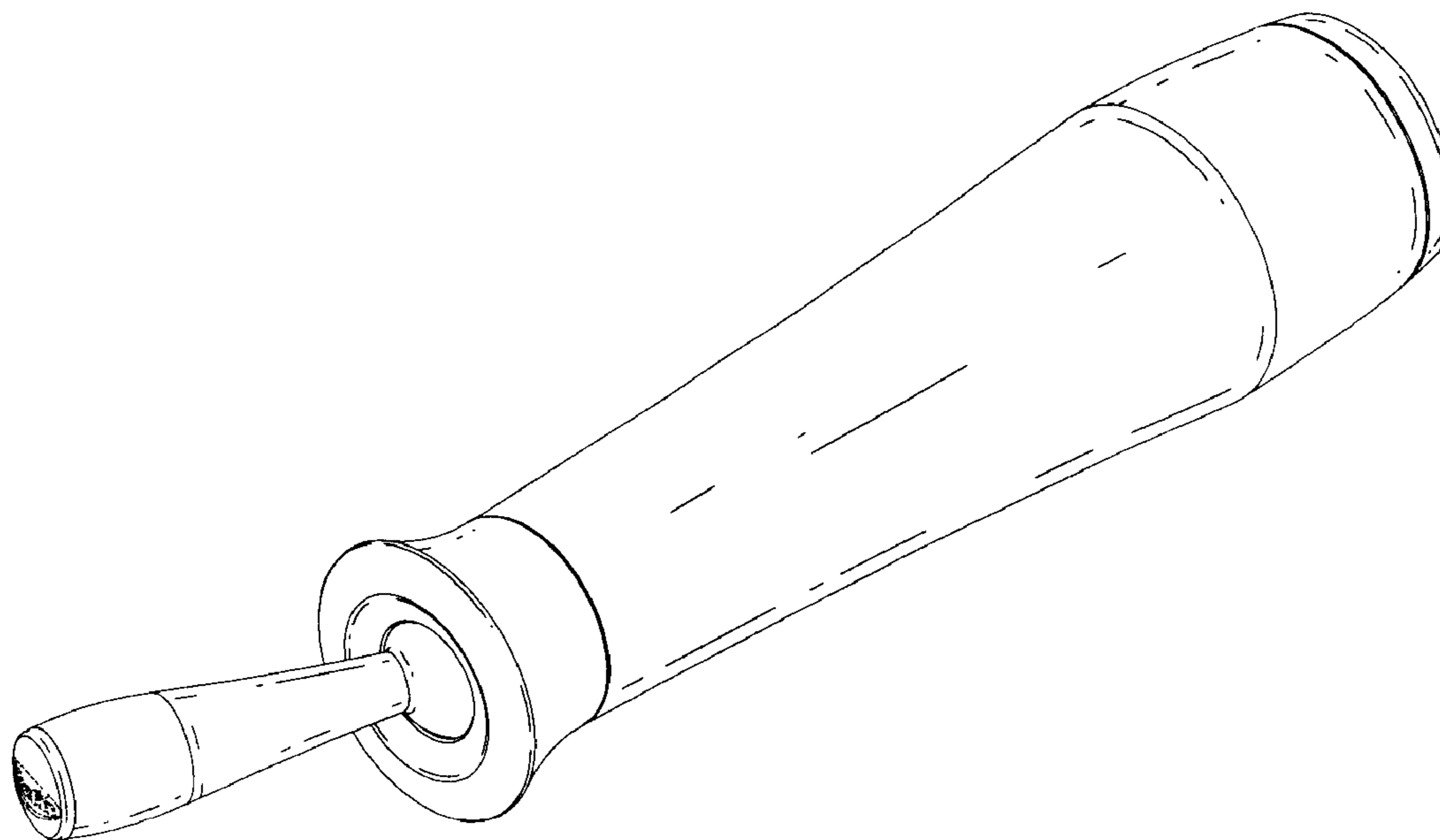
FIG. 3 is a plan view thereof.

FIG. 4 is a bottom plan view thereof; and,

FIG. 5 is a perspective view of an alternate embodiment of FIG. 1, the difference being the smaller size of the claimed design.

The broken lines in the figures are for illustrative purposes only and form no part of the claimed design.

1 Claim, 4 Drawing Sheets



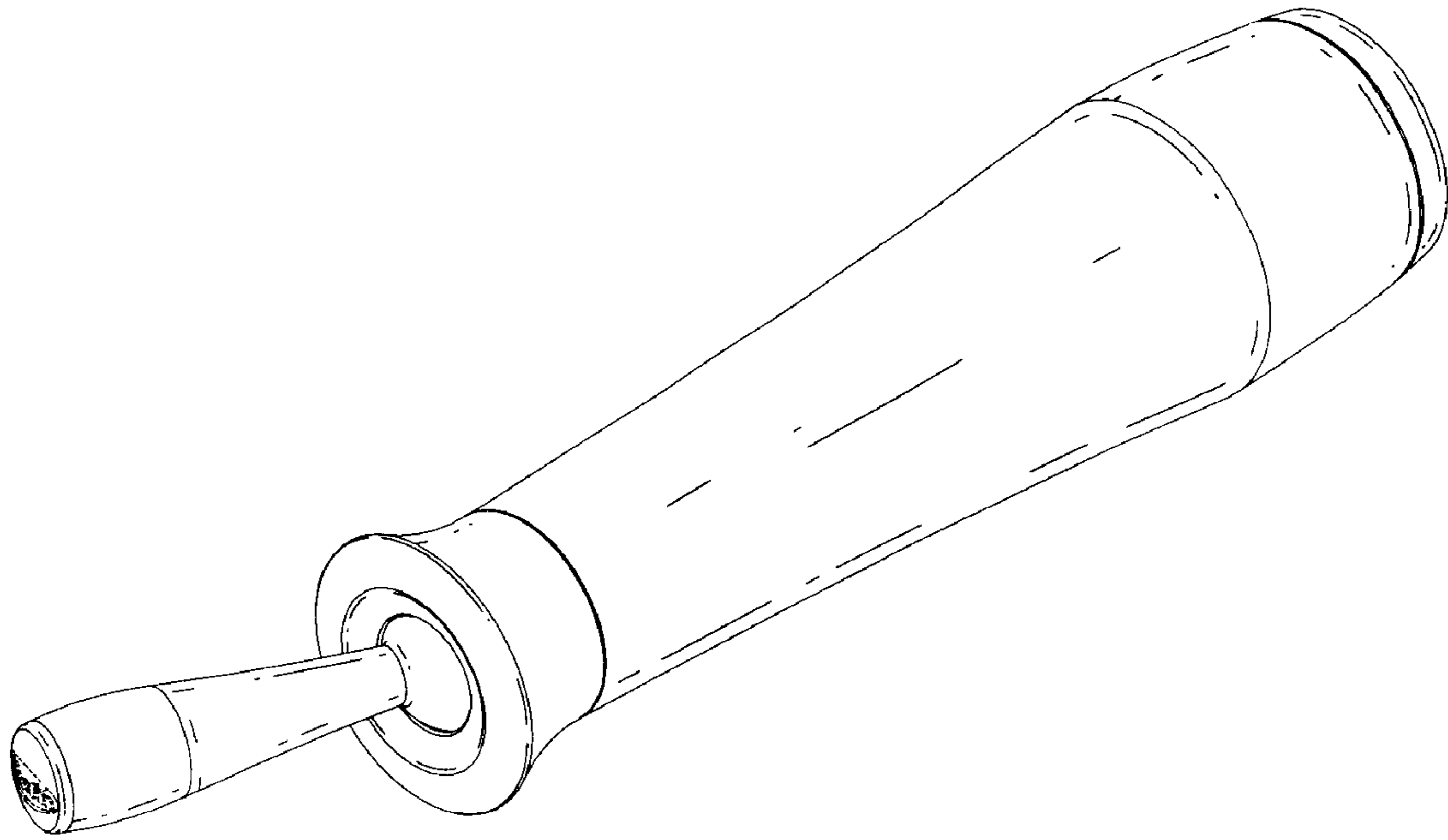


FIG. 1

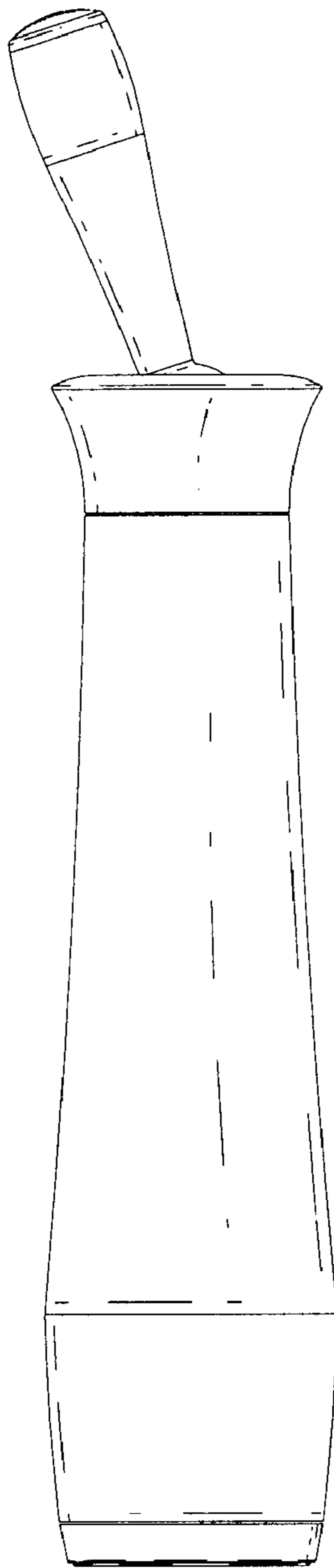


FIG. 2

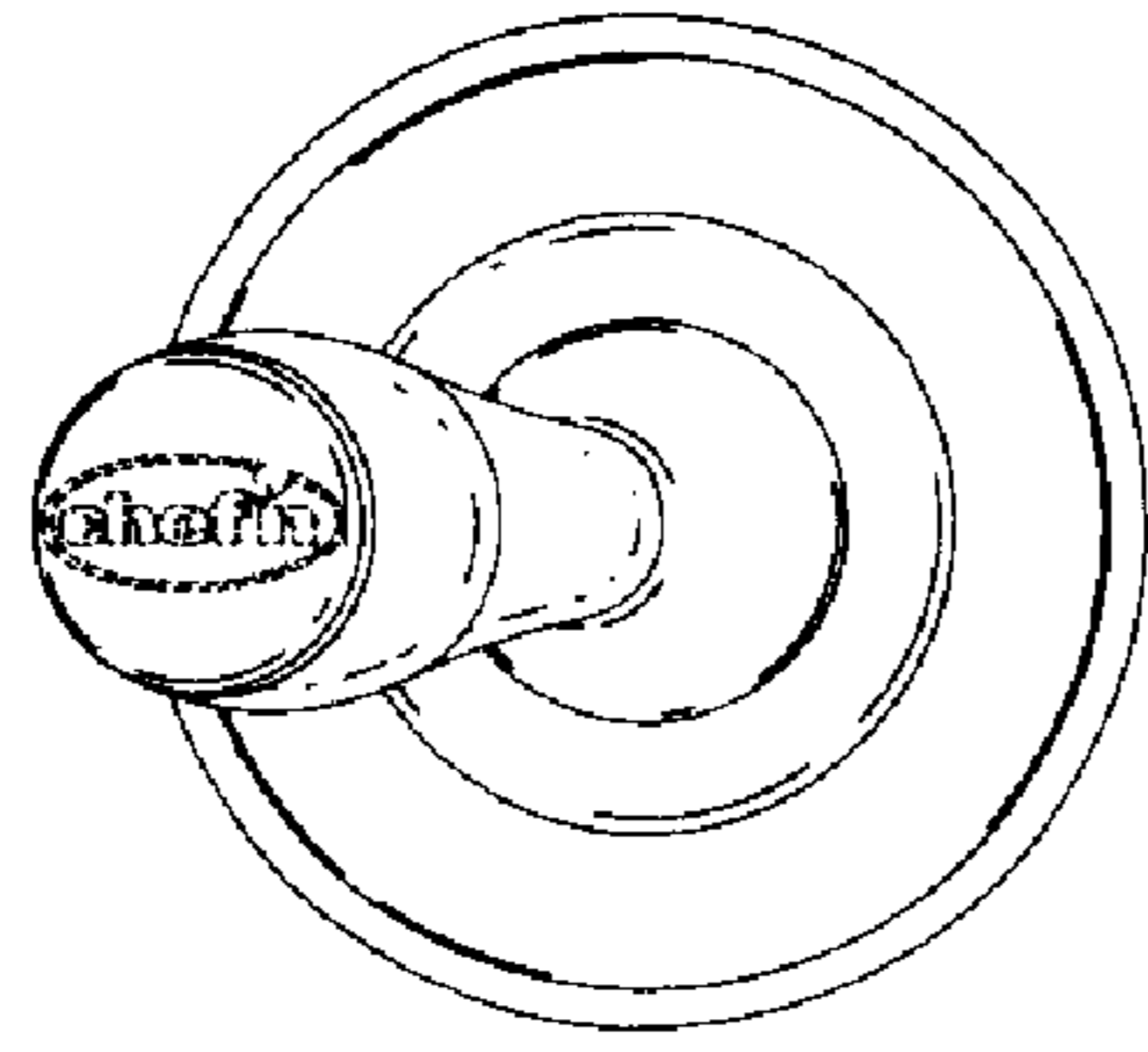


FIG. 3

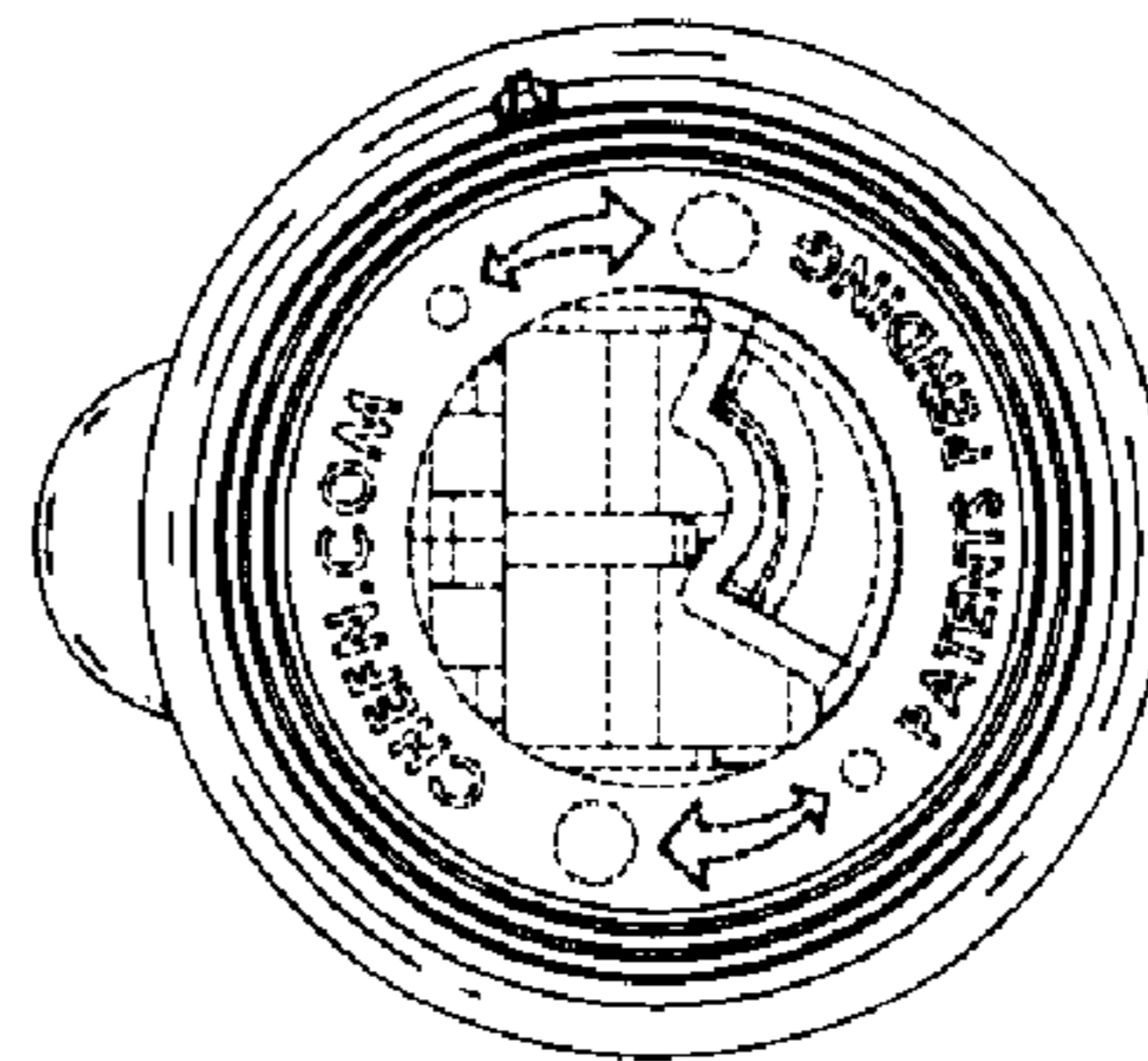


FIG. 4

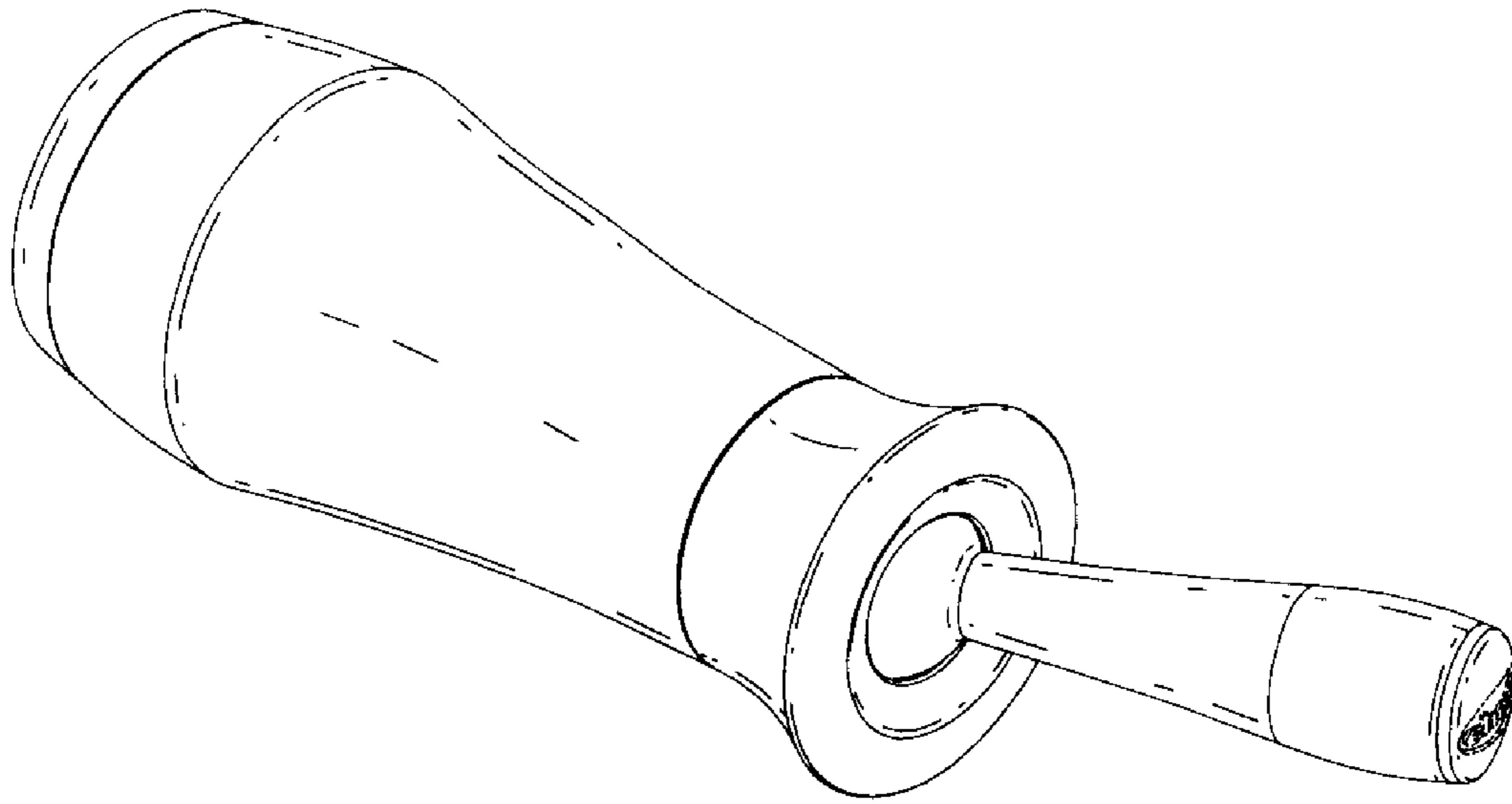


FIG. 5