



US00D524102S

(12) **United States Design Patent**
Ceccon

(10) **Patent No.:** **US D524,102 S**

(45) **Date of Patent:** **** Jul. 4, 2006**

(54) **BARBECUE**

(75) Inventor: **Jacqueline Ceccon**, Choisy (FR)

(73) Assignee: **Tefal**, Rumilly (FR)

(**) Term: **14 Years**

(21) Appl. No.: **29/220,163**

(22) Filed: **Dec. 22, 2004**

(30) **Foreign Application Priority Data**

Jun. 28, 2004 (FR) 04 3194

(51) **LOC (8) Cl.** **07-02**

(52) **U.S. Cl.** **D7/402; D7/332**

(58) **Field of Classification Search** D7/332-337,
D7/402-405, 362-363, 365, 367; 126/19.5,
126/25 R, 25 A, 25 AA, 29-30, 9 R, 9 A,
126/9 B, 38, 37, 40, 268, 276, 305, 312,
126/50, 41 R, 77; 110/241; 99/339, 419,
99/449

See application file for complete search history.

(56) **References Cited**

U.S. PATENT DOCUMENTS

- D216,233 S * 12/1969 Gruver et al. D7/337
- D227,850 S * 7/1973 Benson D7/337
- D245,220 S * 8/1977 Chan D7/337
- D251,894 S * 5/1979 Chan D7/337
- D276,303 S * 11/1984 Chan D7/337
- D291,399 S * 8/1987 Chan D7/337

- D450,976 S * 11/2001 Mosher D7/337
- D456,202 S * 4/2002 McNair et al. D7/332
- D469,298 S * 1/2003 Hinton et al. D7/332
- D504,274 S * 4/2005 Ceccon D7/332

* cited by examiner

Primary Examiner—Ruth McInroy

(74) *Attorney, Agent, or Firm*—Harness, Dickey & Pierce, PLC

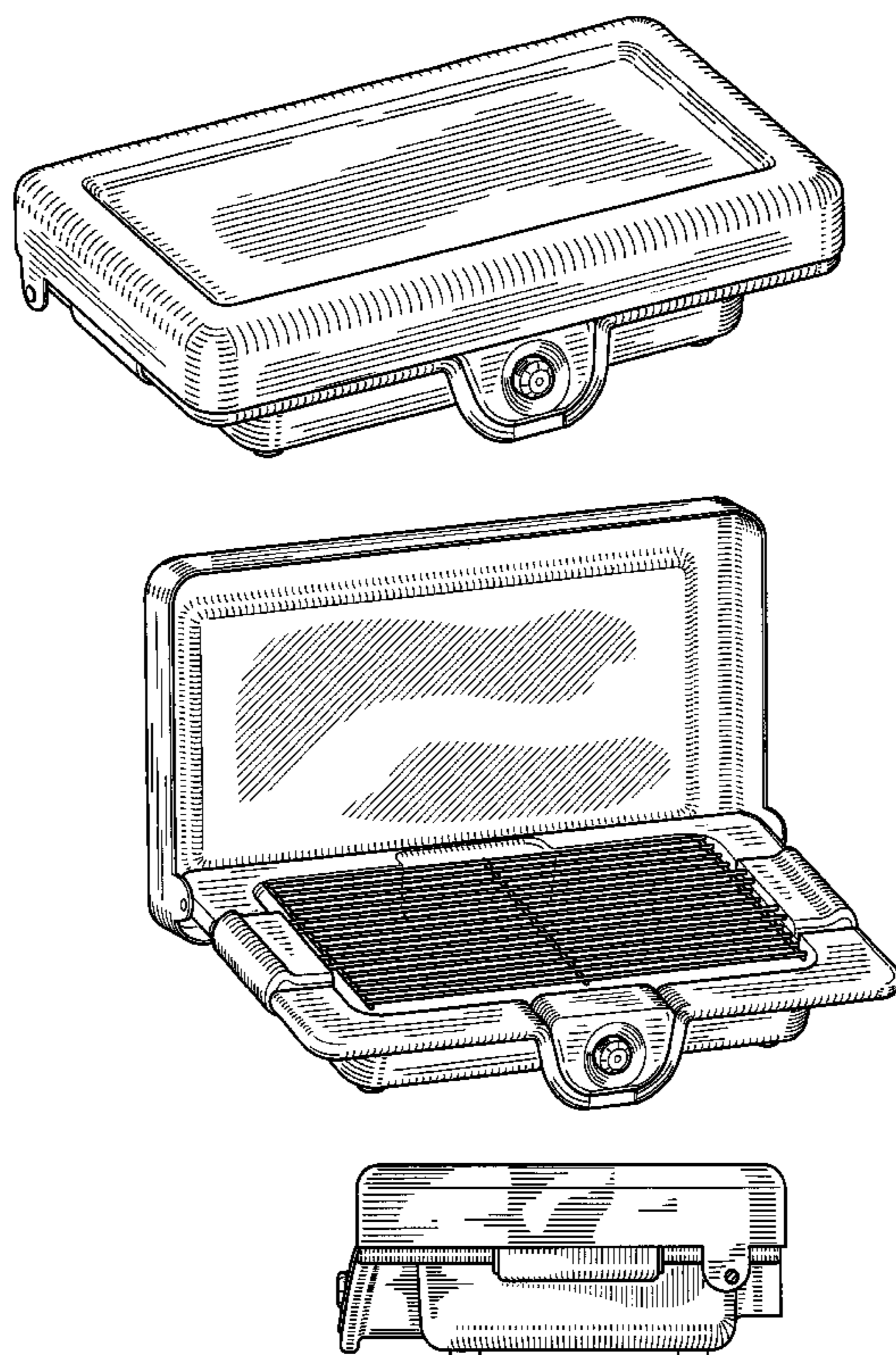
(57) **CLAIM**

The ornamental design for a barbecue, as shown and described.

DESCRIPTION

FIG. 1 is a perspective view of a barbecue in a closed position, showing my new design;
 FIG. 2 is a perspective view when opened;
 FIG. 3 is a front view opened;
 FIG. 4 is a front view closed;
 FIG. 5 is a top view when closed;
 FIG. 6 is a top view when opened;
 FIG. 7 is a right side view when closed;
 FIG. 8 is right side view when opened;
 FIG. 9 is a left side view when closed;
 FIG. 10 is left side view when opened;
 FIG. 11 is rear view when closed;
 FIG. 12 is rear view when opened;
 FIG. 13 is a bottom perspective view when closed; and,
 FIG. 14 is a bottom perspective view when opened.

1 Claim, 14 Drawing Sheets



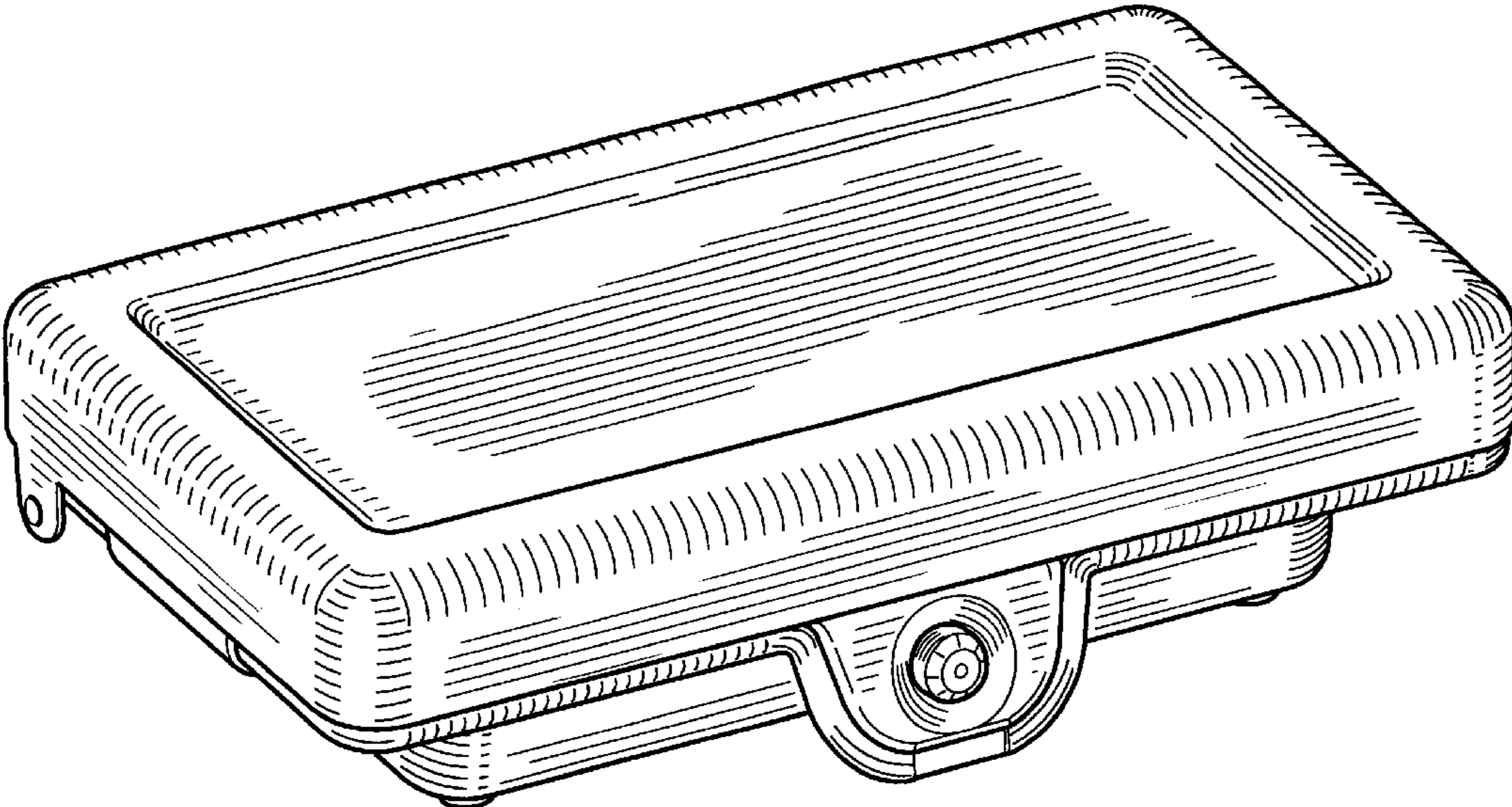


Fig. 1

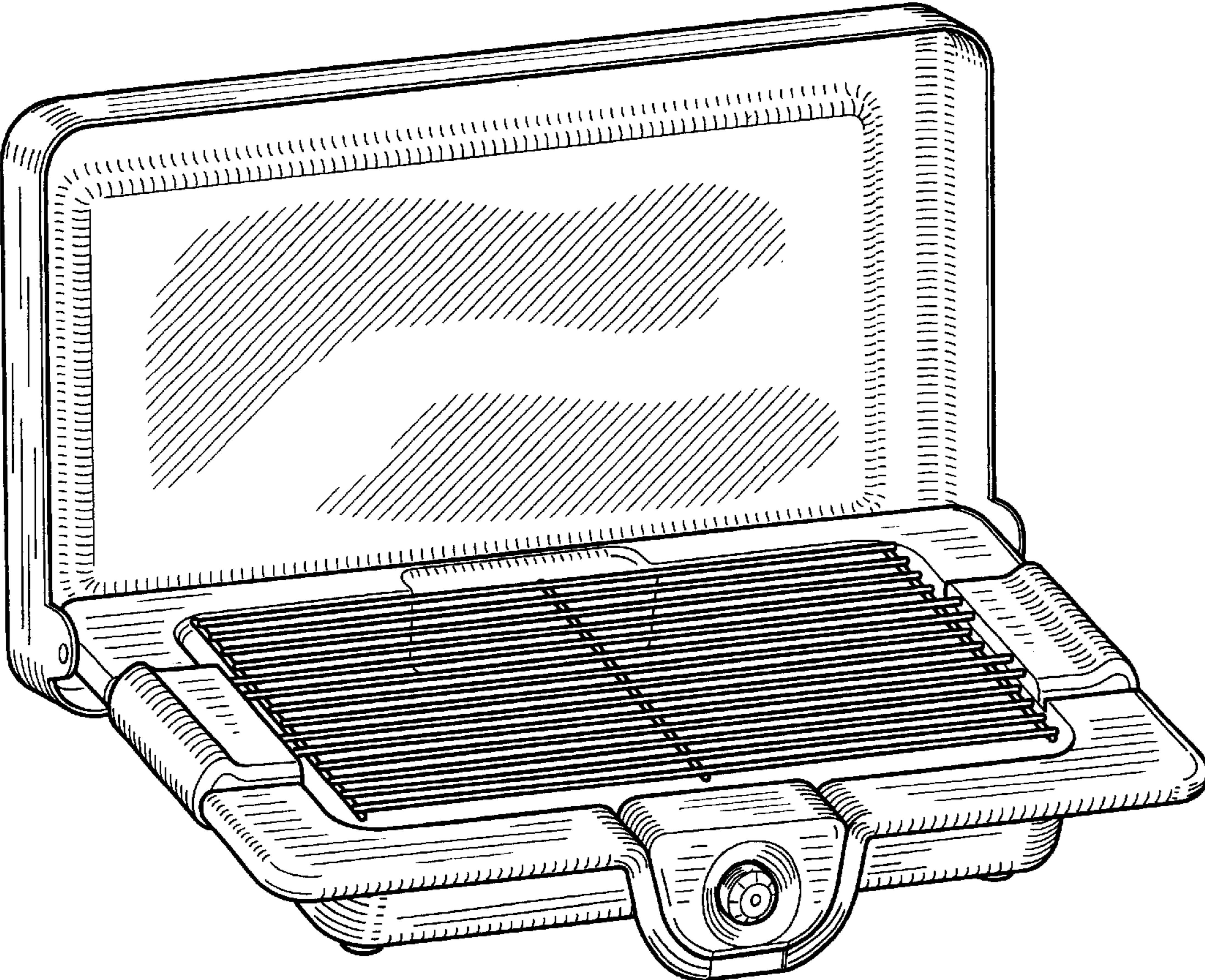


Fig. 2

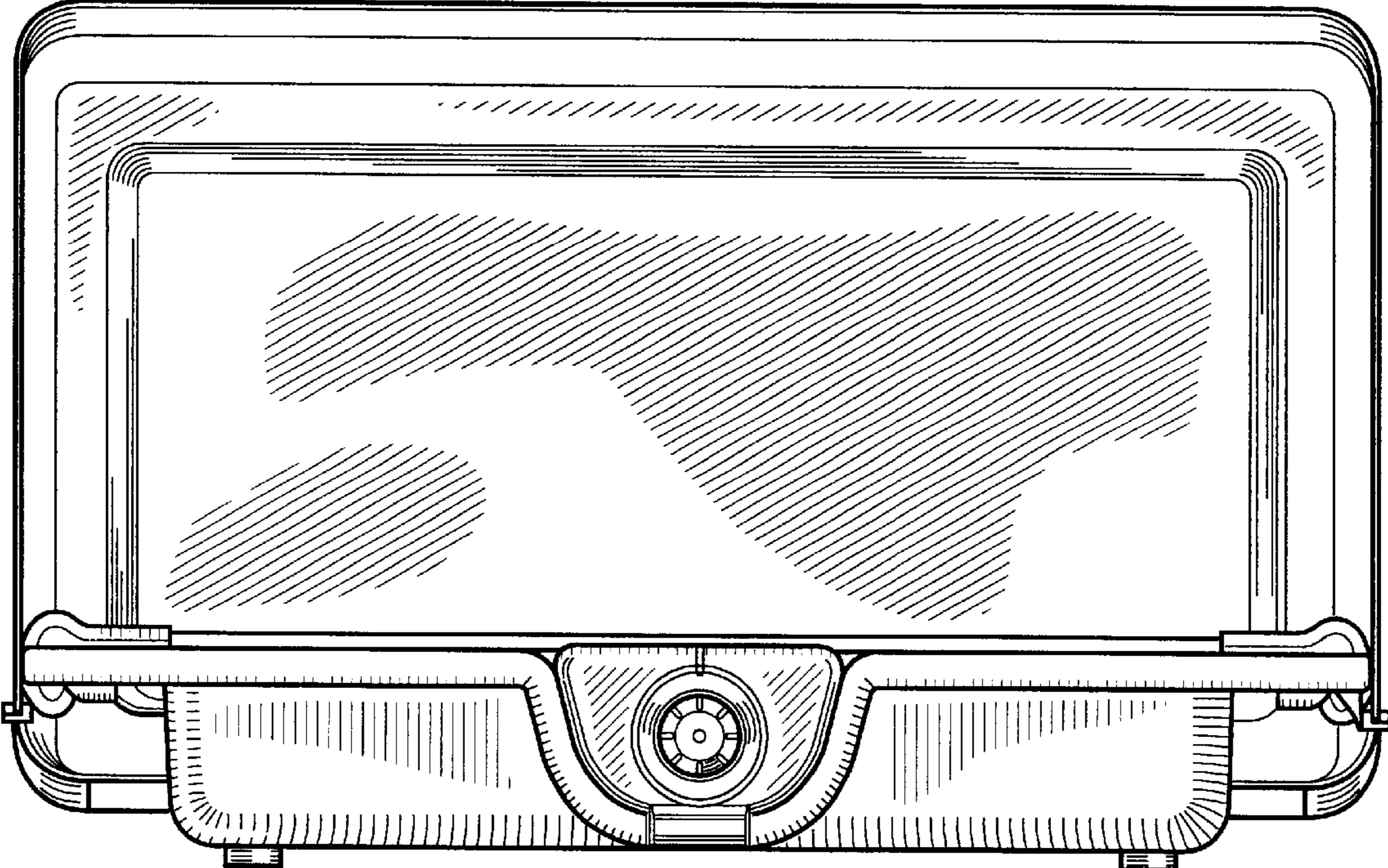


Fig. 3

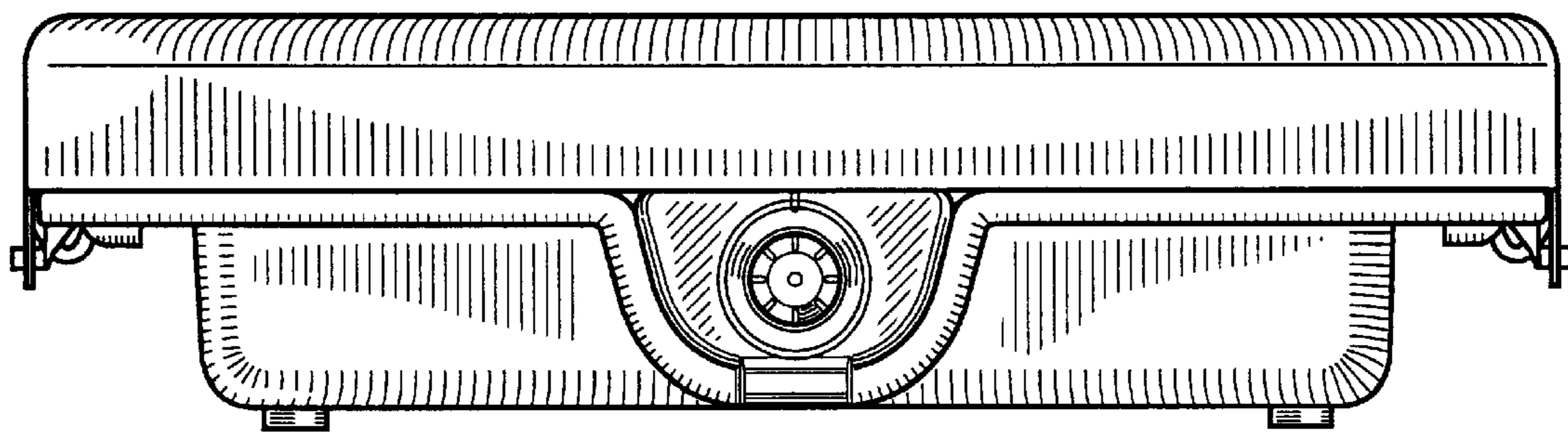


Fig. 4

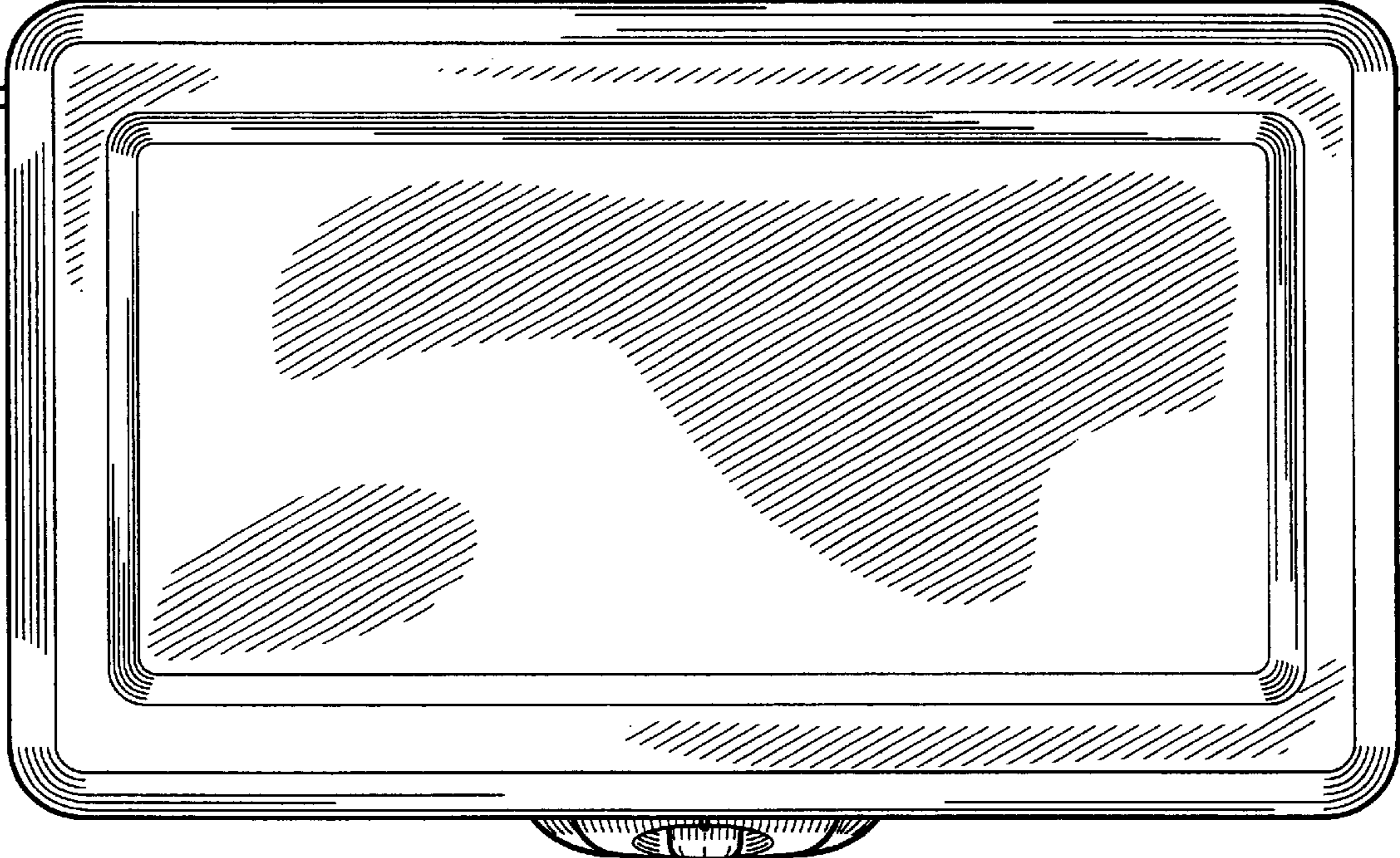


Fig. 5

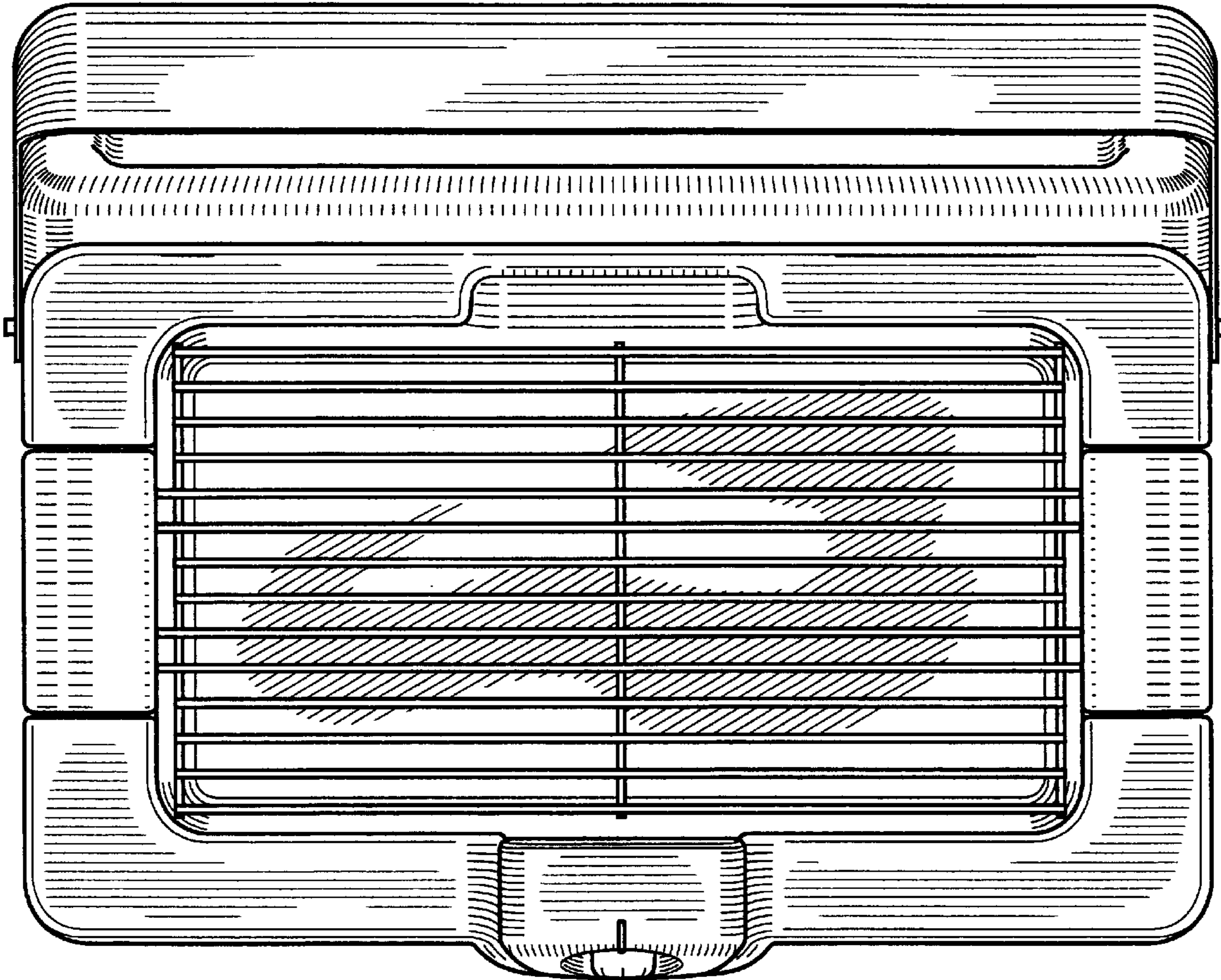


Fig. 6

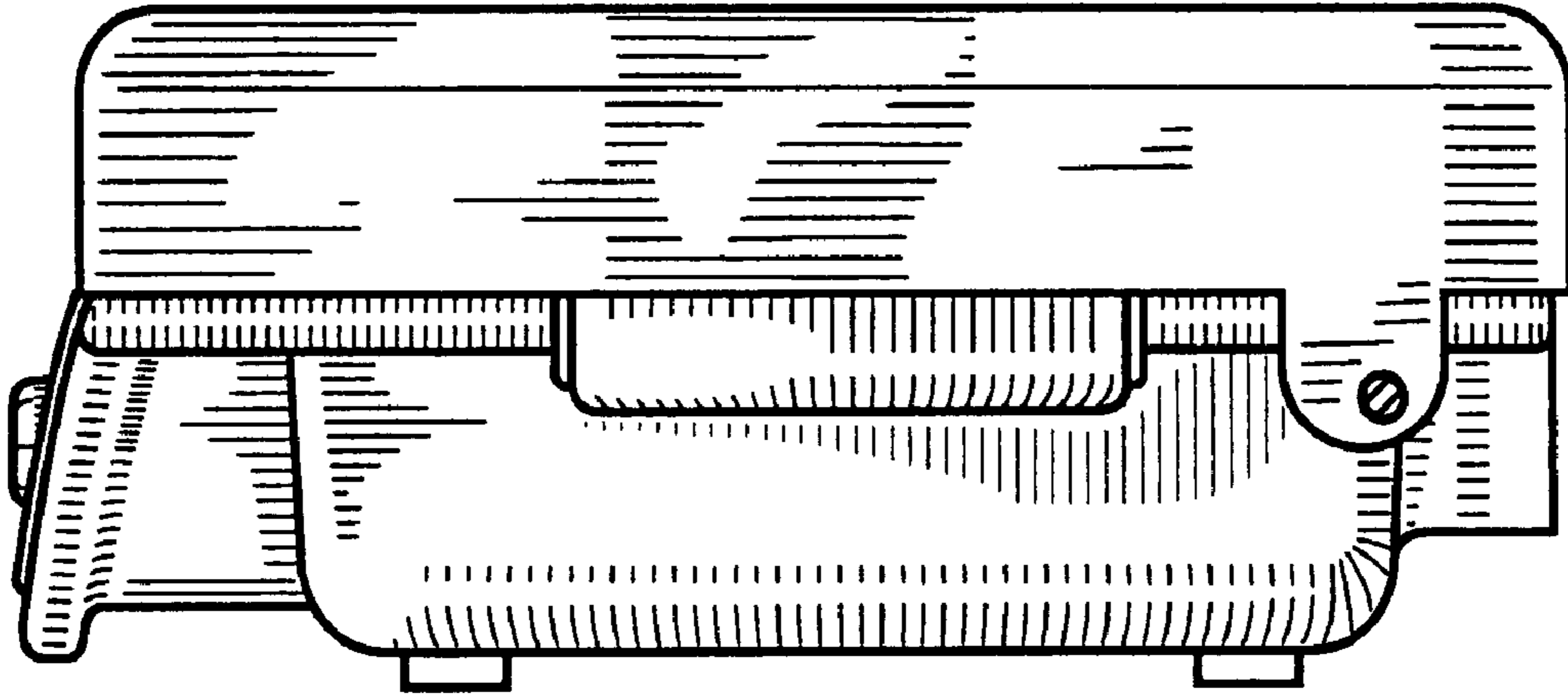


Fig. 7

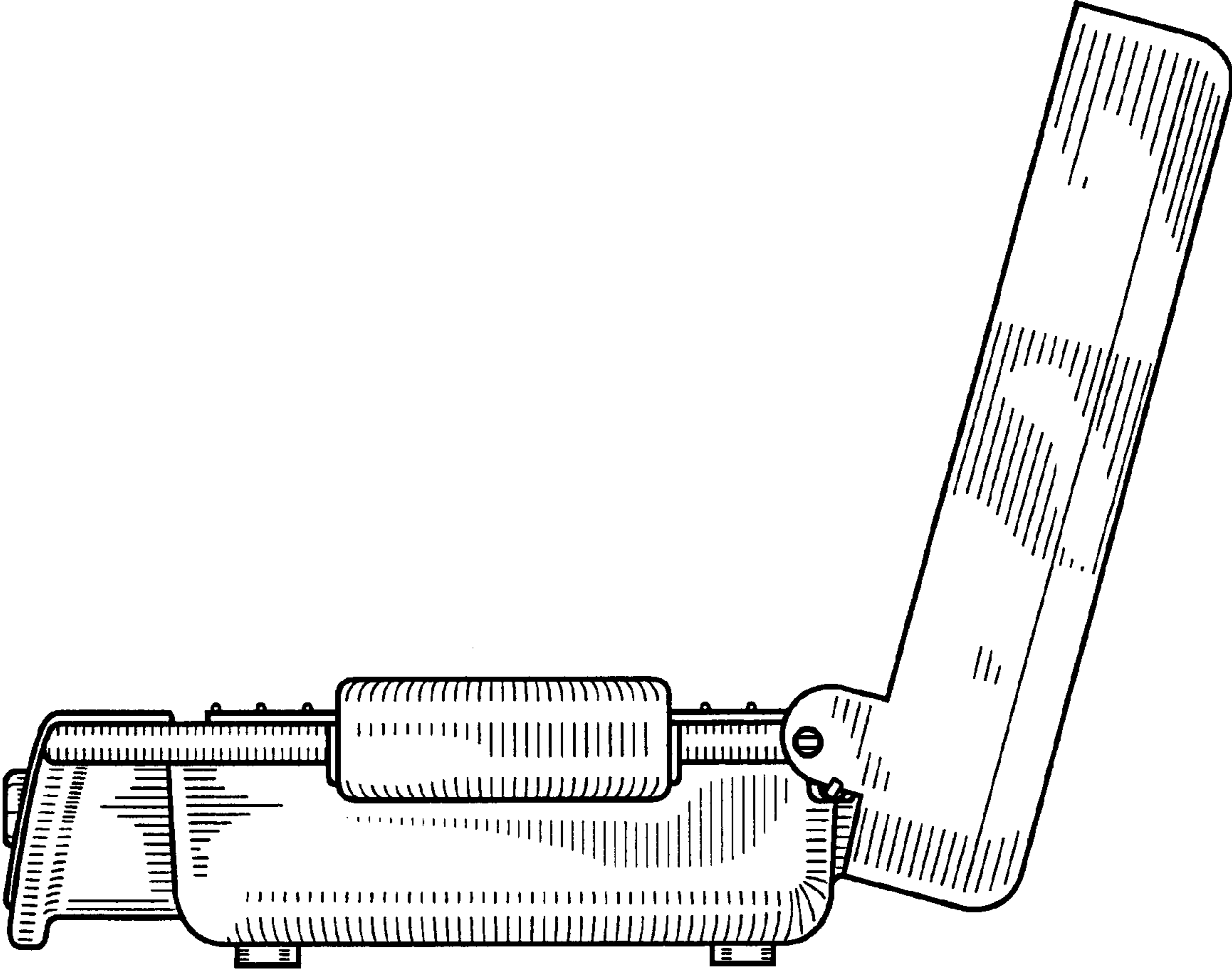


Fig. 8

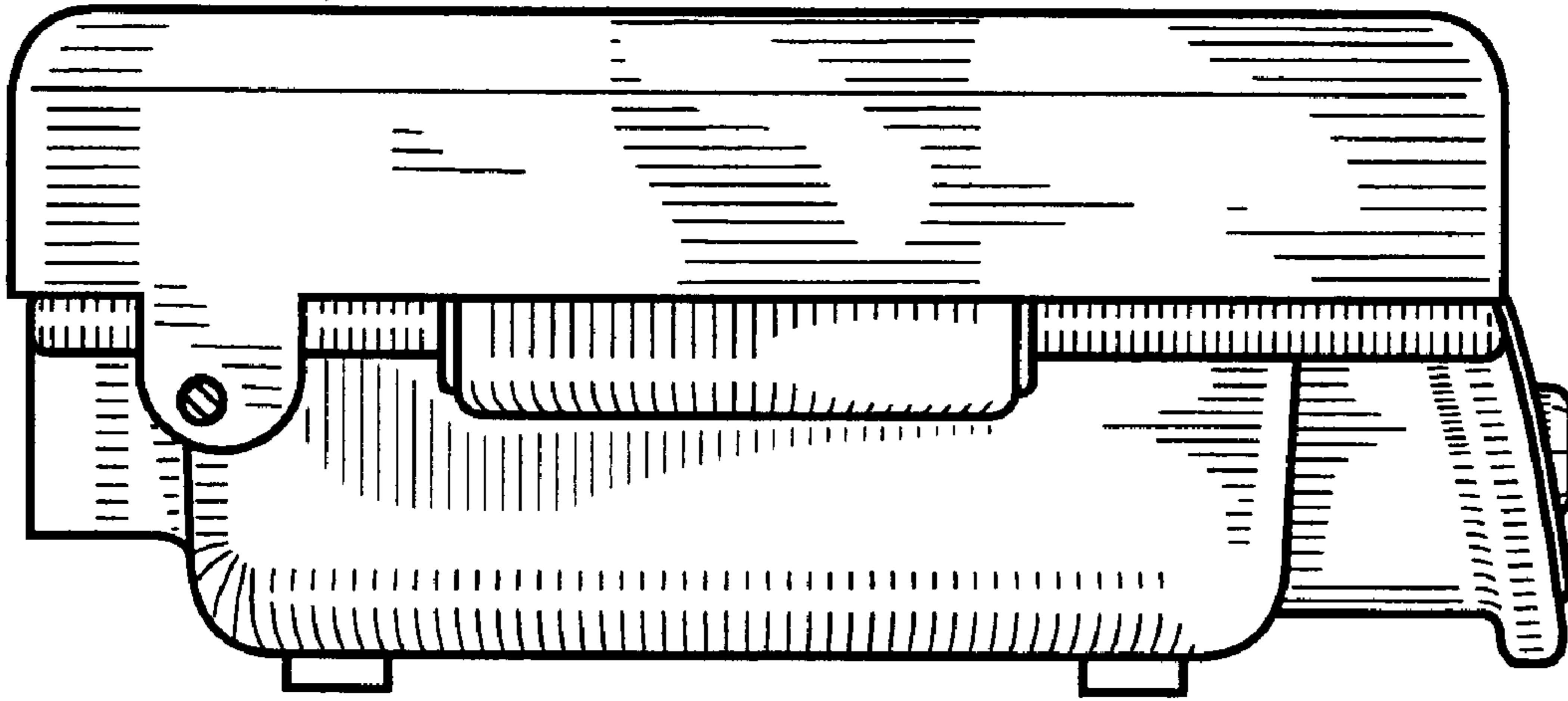


Fig. 9

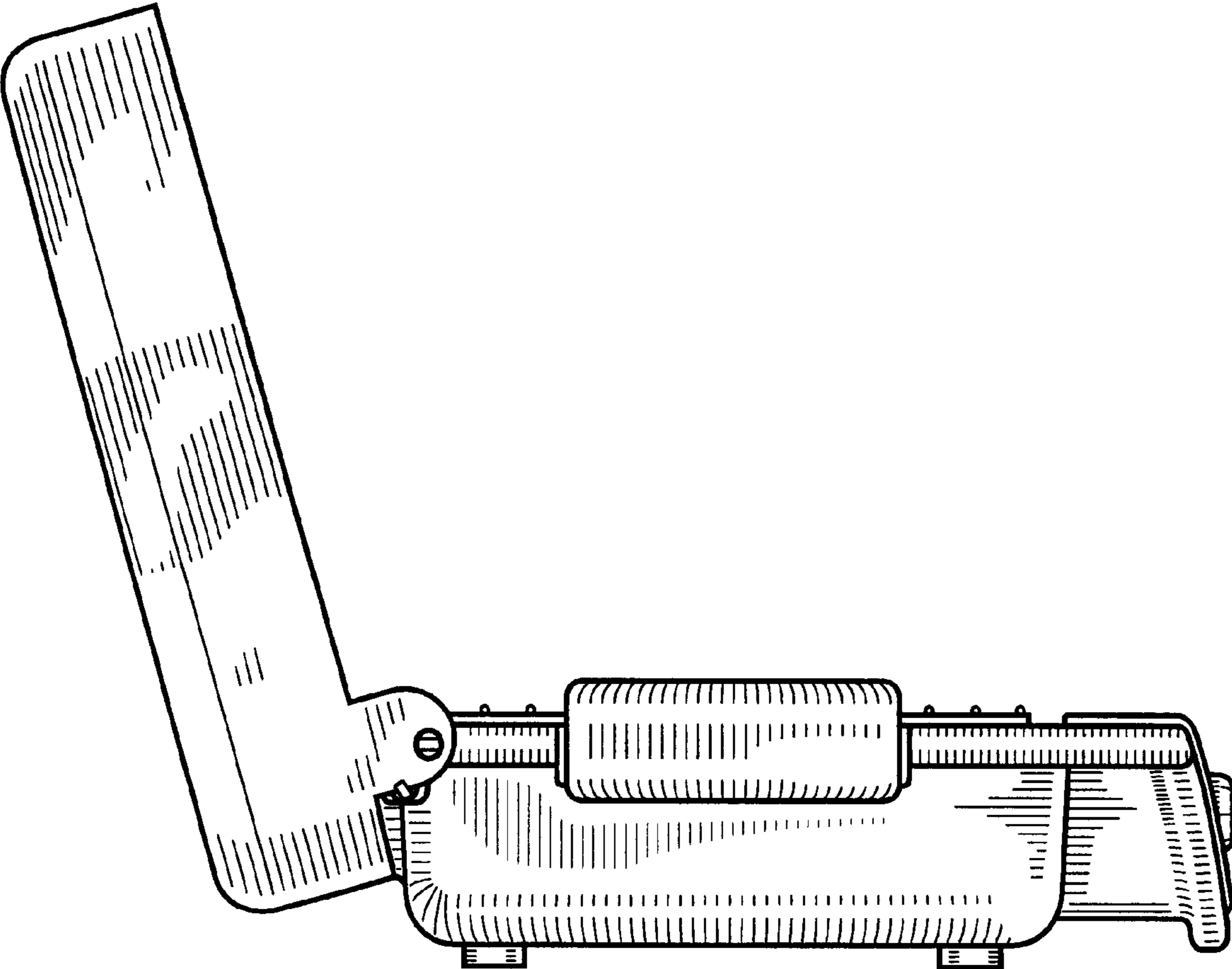


Fig. 10

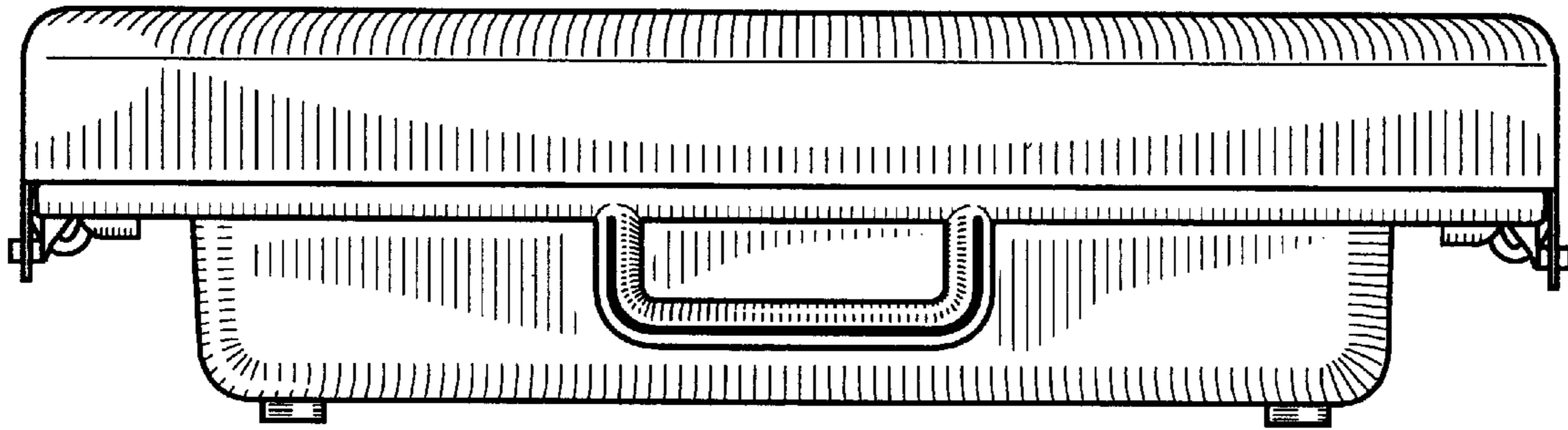


Fig. 11

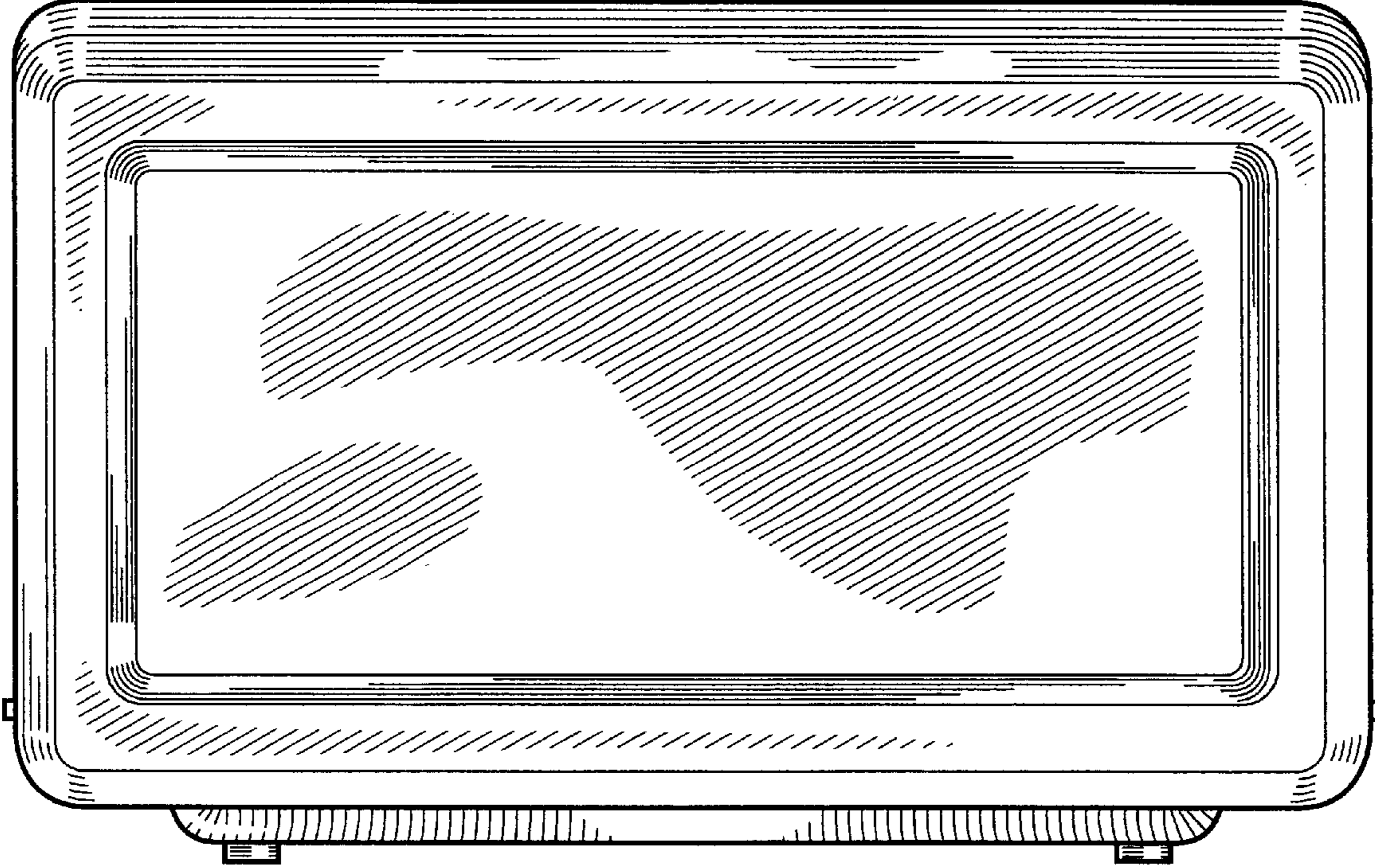


Fig. 12

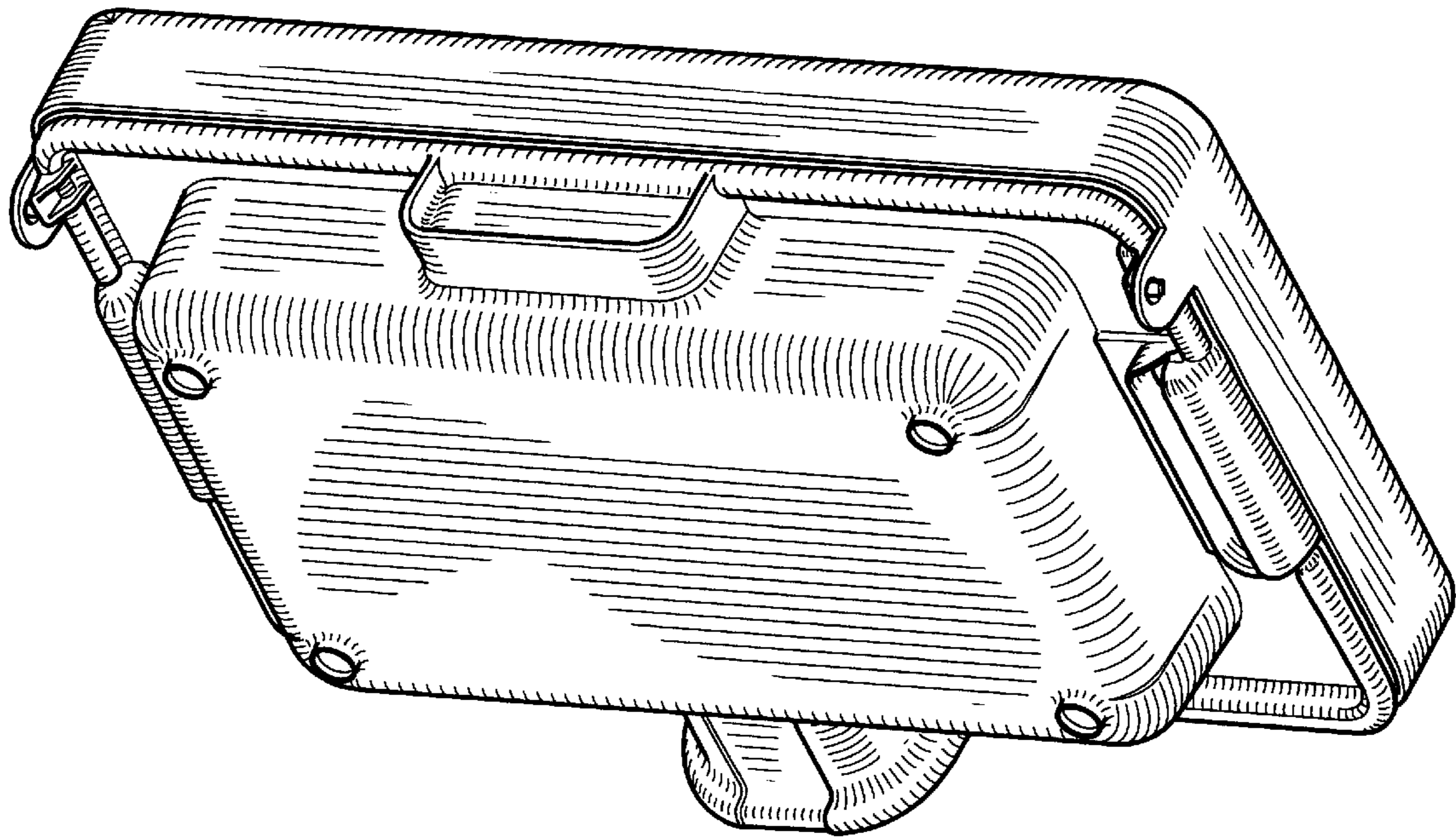


Fig. 13

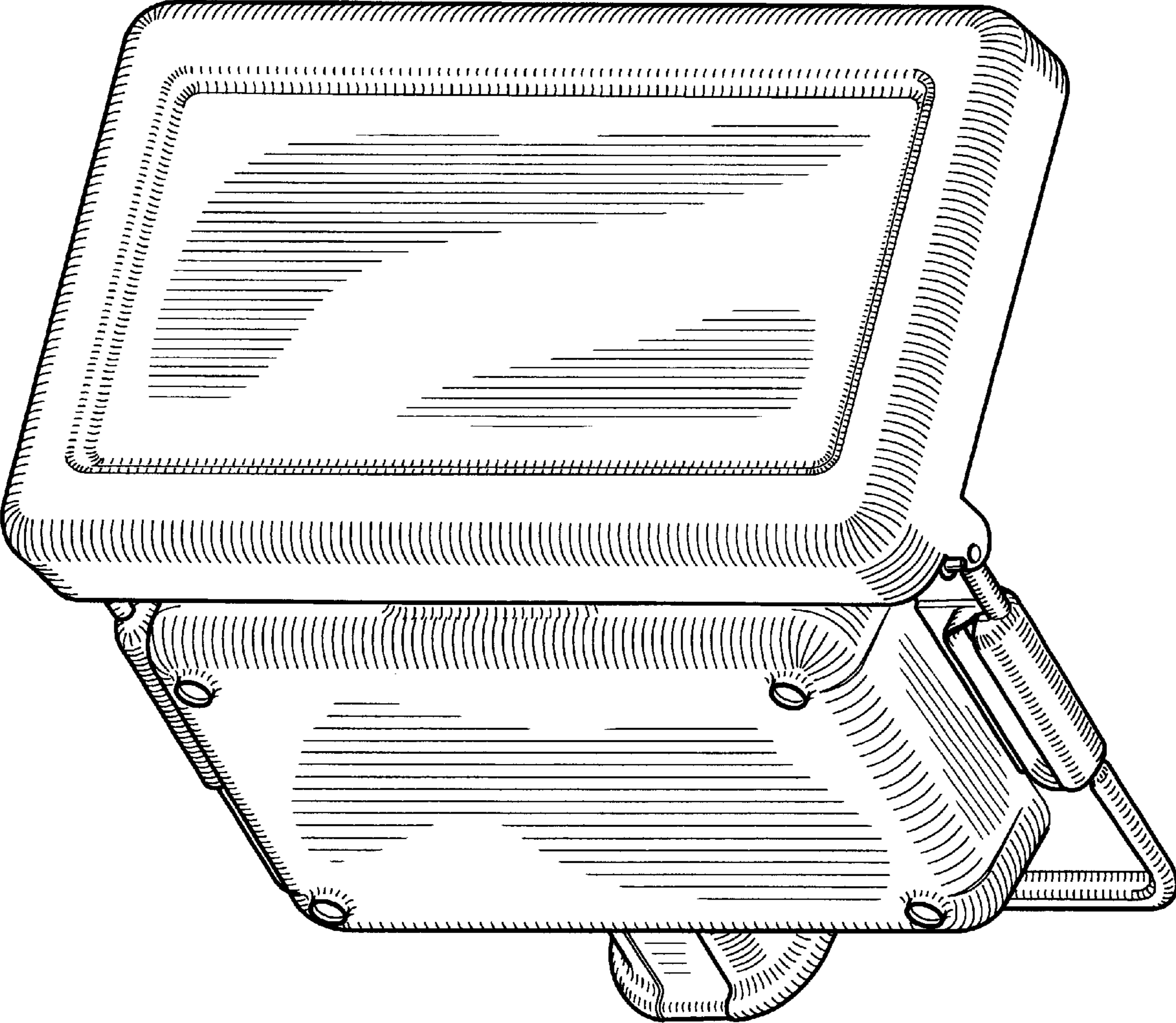


Fig. 14