



US00D524098S

(12) **United States Design Patent**  
**Minutillo et al.**

(10) **Patent No.:** **US D524,098 S**

(45) **Date of Patent:** **\*\* Jul. 4, 2006**

(54) **EATING UTENSIL**

(76) Inventors: **Richard Minutillo**, 672 NW. 100th Way, Coral Springs, FL (US) 33071;  
**Lisa Minutillo**, 672 NW. 100th Way, Coral Springs, FL (US) 33071

(\*\*) **Term:** **14 Years**

(21) **Appl. No.:** **29/229,108**

(22) **Filed:** **May 4, 2005**

(51) **LOC (8) Cl.** ..... **07-02**

(52) **U.S. Cl.** ..... **D7/395**

(58) **Field of Classification Search** ..... D7/354-361,  
D7/393-395, 401.2; D8/83, 107, 307, 821;  
D4/138, 129; 16/430, 431, 110.1, 407; 220/573.1-573.5,  
220/752, 753, 755, 756, 912  
See application file for complete search history.

(56) **References Cited**

**U.S. PATENT DOCUMENTS**

D100,267	S	*	7/1936	Iannelli	.....	D7/395
2,242,873	A	*	5/1941	Thompson	.....	81/439
2,636,266	A		4/1953	Sweet		
2,841,869	A		7/1958	Levine		
D238,848	S		2/1976	Sneidman		
D258,940	S		4/1981	Zelinski		
D278,299	S		4/1985	Laslo		
D320,125	S	*	9/1991	Hacker	.....	D7/395
D360,344	S	*	7/1995	Eggert et al.	.....	D8/83
D361,695	S	*	8/1995	Sutker	.....	D7/401.2
5,603,163	A		2/1997	Ikner, Jr.		
D384,263	S	*	9/1997	Lin	.....	D8/83

D449,212	S	*	10/2001	Price et al.	.....	D8/107
D450,557	S	*	11/2001	McCalla et al.	.....	D8/107
6,494,121	B1		12/2002	Hu		
D473,443	S	*	4/2003	Metcalf	.....	D8/83
D478,471	S	*	8/2003	Rowe	.....	D7/395
D480,611	S		10/2003	Boldt		
D482,949	S		12/2003	Molenaar		
D487,690	S	*	3/2004	Hu	.....	D8/83
D507,733	S	*	7/2005	Liu	.....	D8/83
D513,378	S	*	1/2006	Lin	.....	D8/83

\* cited by examiner

*Primary Examiner*—Holly Baynham

*Assistant Examiner*—Cynthia M. Chin

(74) *Attorney, Agent, or Firm*—Stephen R. Greiner

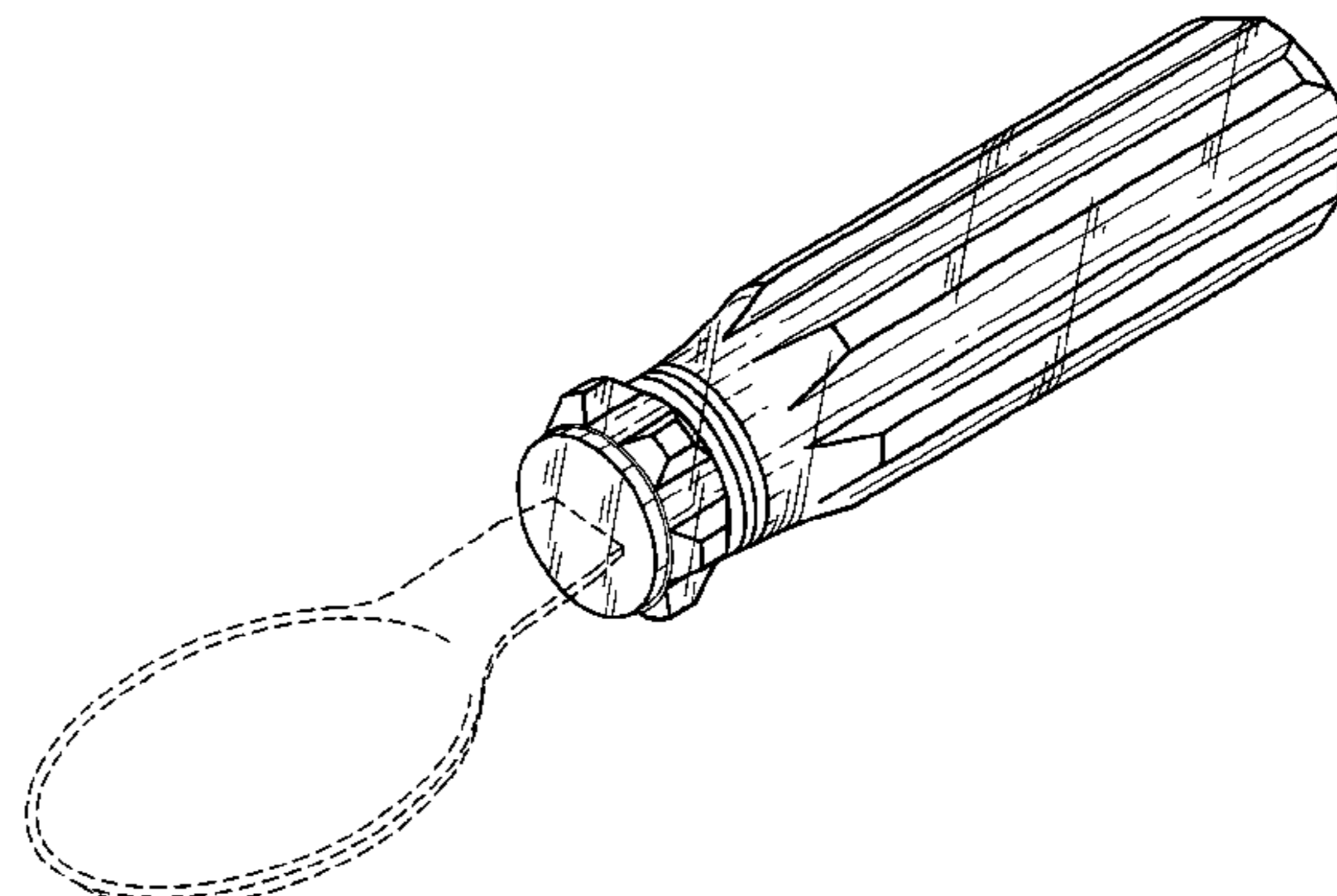
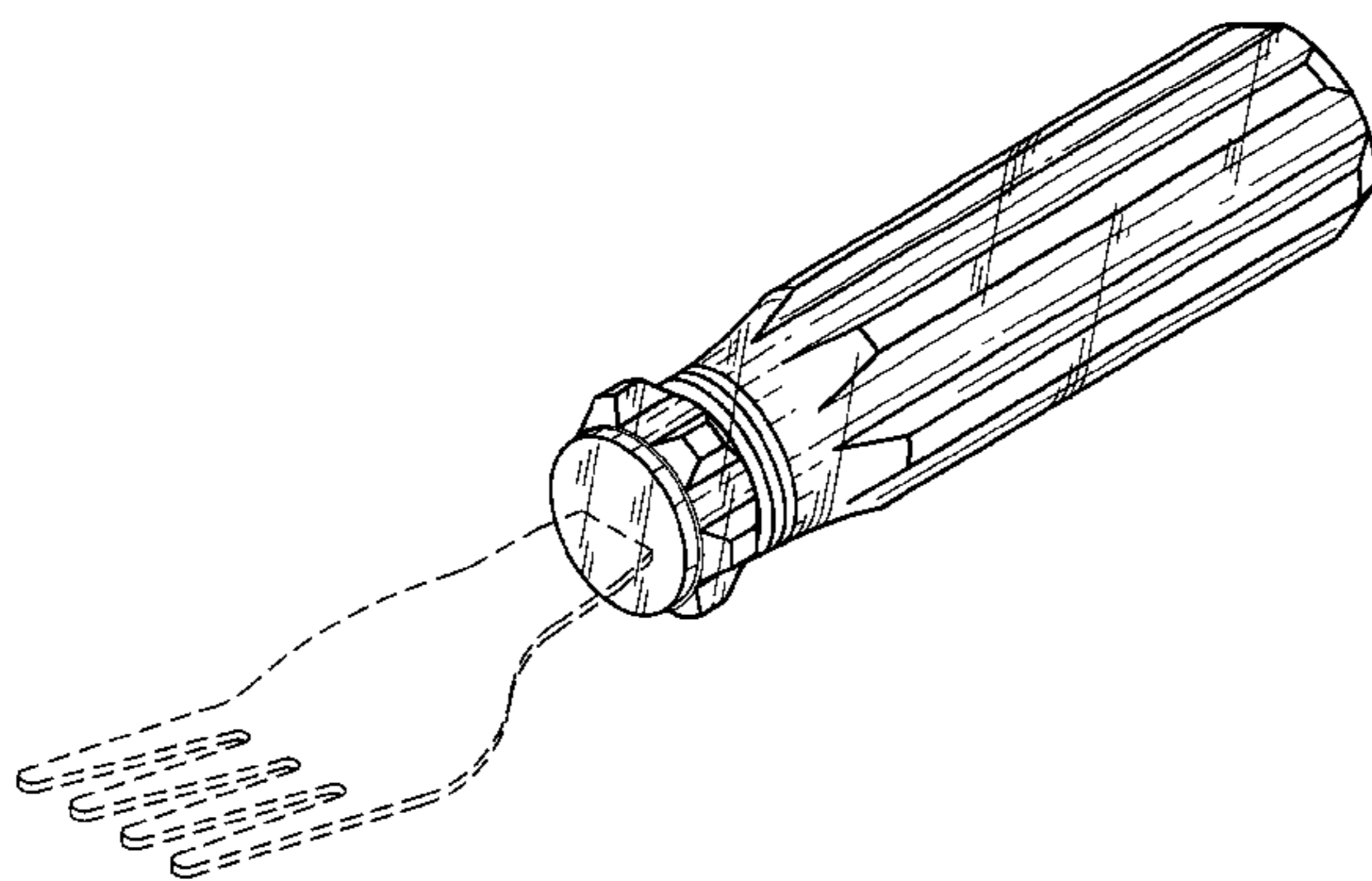
(57) **CLAIM**

The ornamental design for an eating utensil, as shown and described.

**DESCRIPTION**

FIG. 1 is a perspective view of an eating utensil showing my new design;  
FIG. 2 is a front elevational view thereof;  
FIG. 3 is a rear elevational view thereof;  
FIG. 4 is a right side elevational view with the left side being a mirror image thereof;  
FIG. 5 is a top view thereof;  
FIG. 6 is a bottom view thereof; and,  
FIG. 7 is another perspective view thereof.  
The broken lines showing the food-engaging portion of an eating utensil in FIGS. 1-7 are for demonstrative purposes only and forms no part of the claimed design.

**1 Claim, 3 Drawing Sheets**



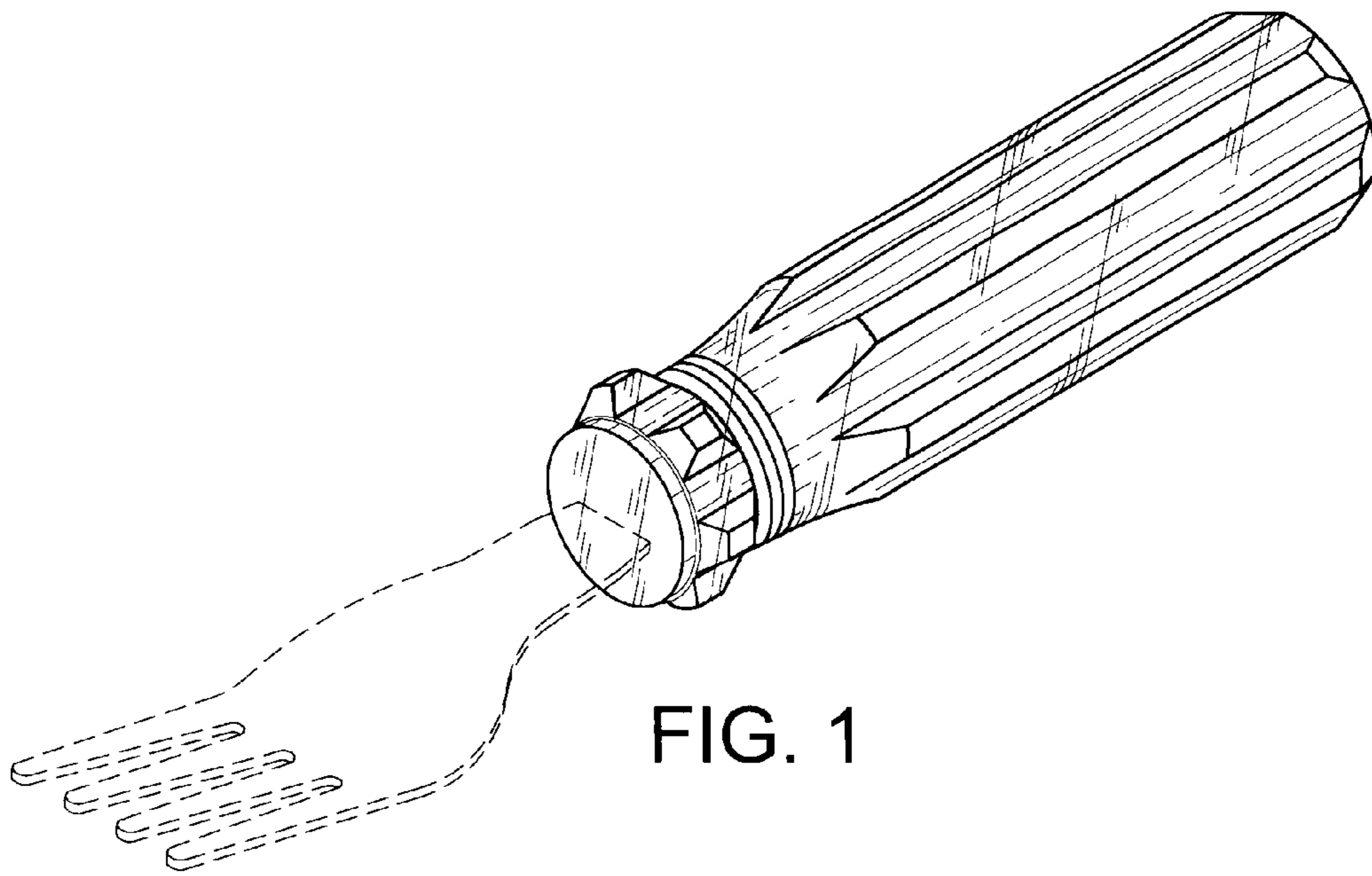


FIG. 1

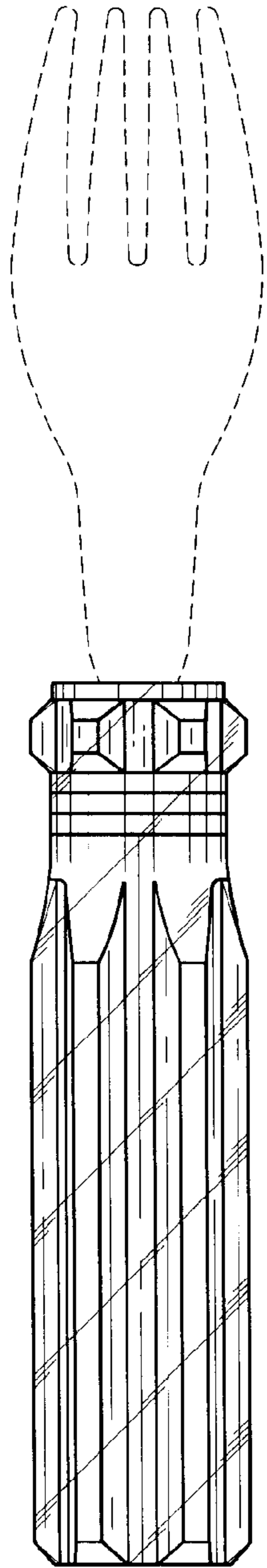


FIG. 2

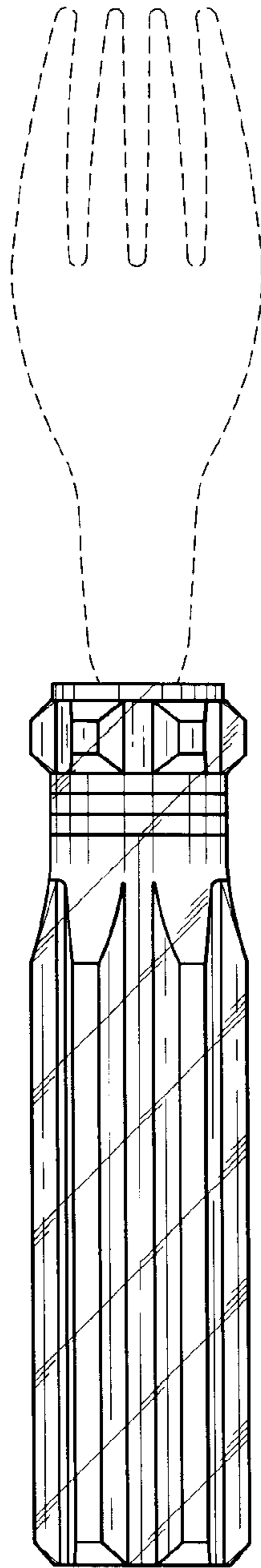


FIG. 3

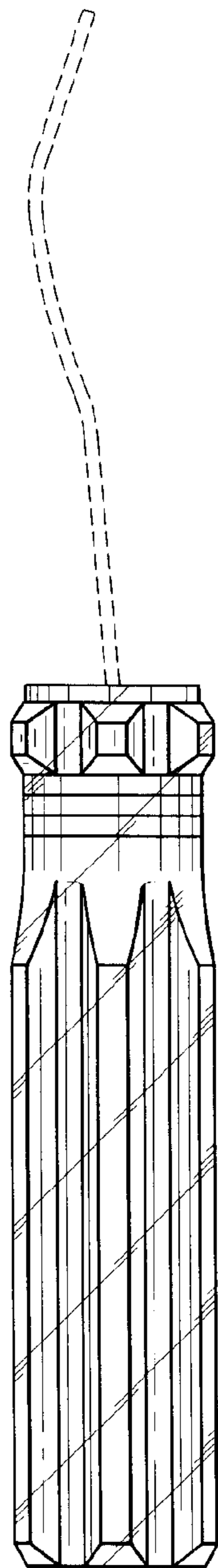


FIG. 4

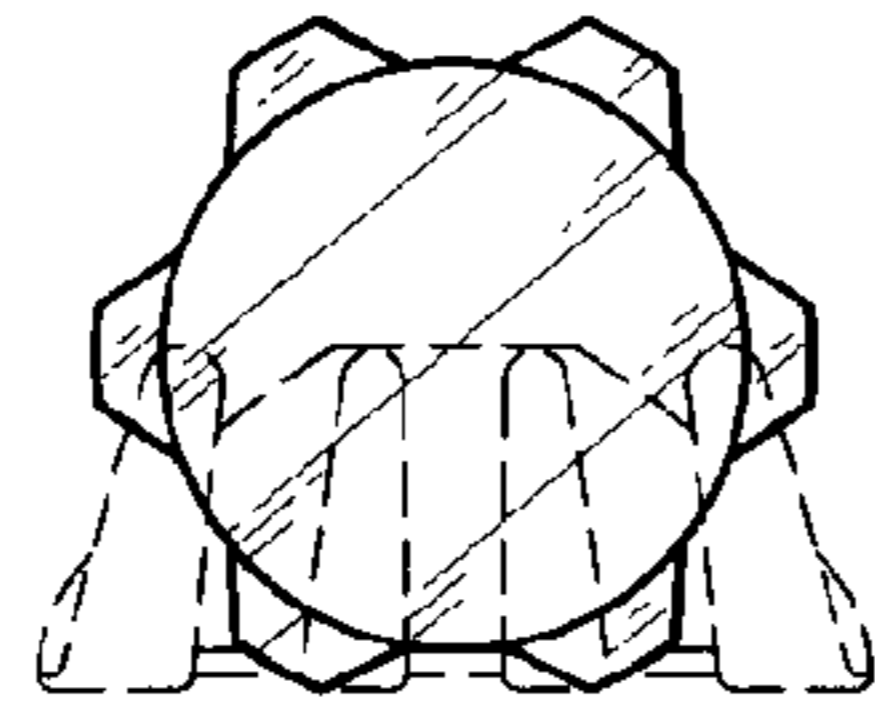


FIG. 5

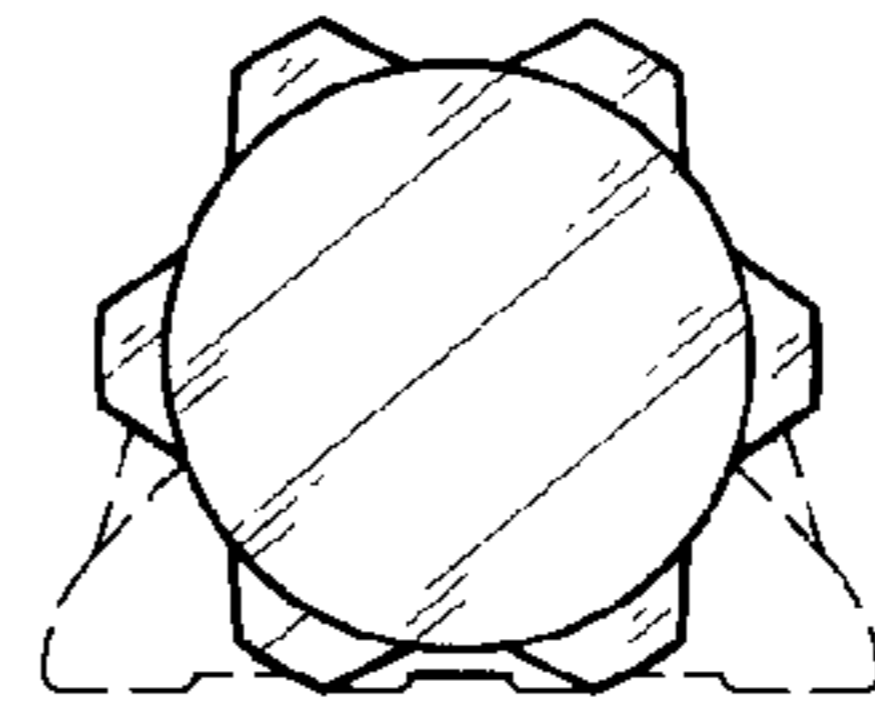


FIG. 6

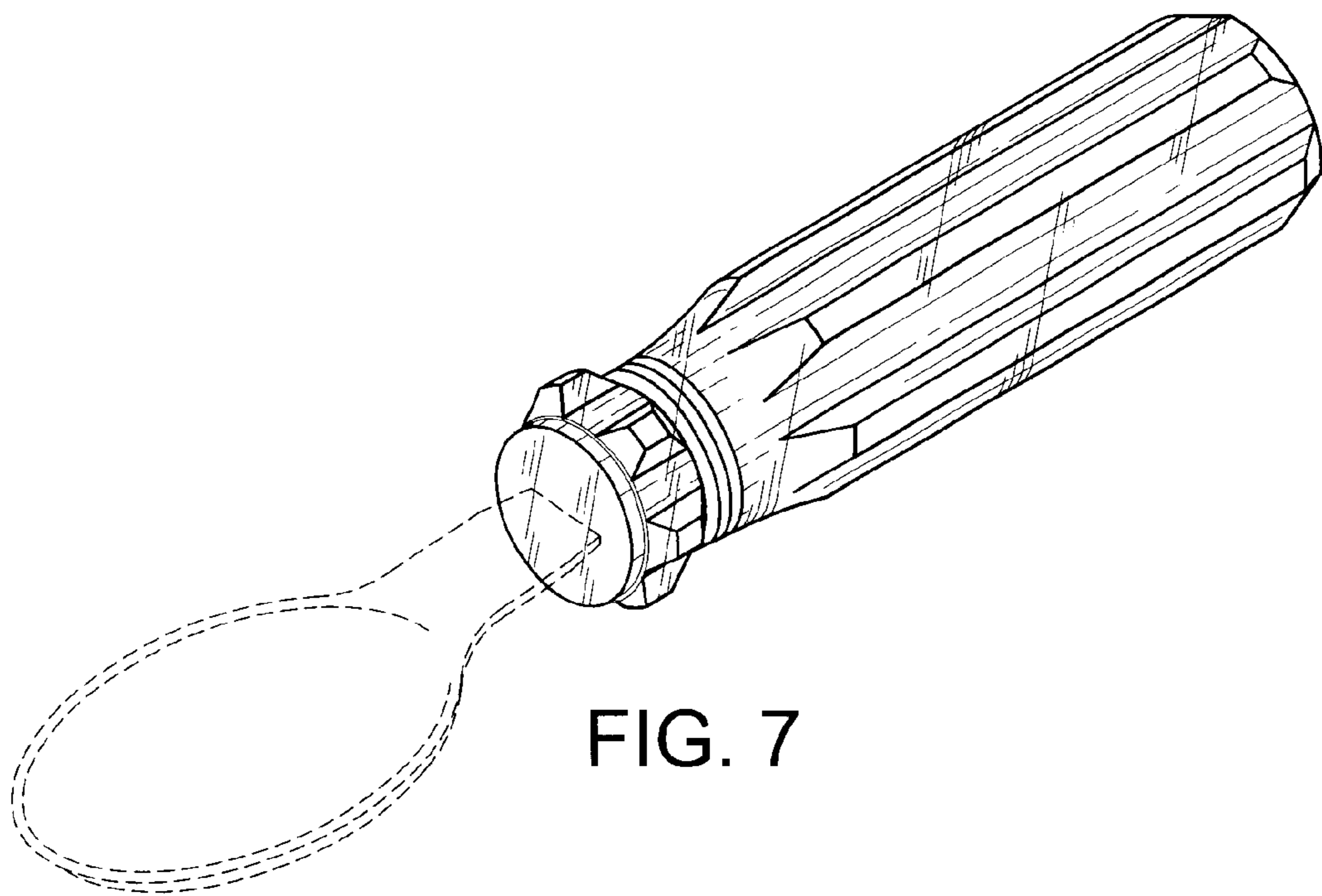


FIG. 7