



US00D524096S

(12) **United States Design Patent**  
**Babkes**

(10) **Patent No.:** **US D524,096 S**

(45) **Date of Patent:** **\*\* Jul. 4, 2006**

(54) **PORTION OF A BAKING PAN**  
(75) Inventor: **Mitchell H. Babkes**, Saugus, CA (US)  
(73) Assignee: **Sylmark Holdings Limited**, Dublin (IE)  
(\*\*) Term: **14 Years**

D455,050 S \* 4/2002 Tyler et al. .... D7/549  
D470,712 S \* 2/2003 Swinford et al. .... D7/360  
D483,998 S \* 12/2003 Bulcher et al. .... D7/553.1  
D501,761 S \* 2/2005 Glander et al. .... D7/553.5  
D506,357 S \* 6/2005 Price ..... D7/553.6  
D509,104 S \* 9/2005 Price ..... D7/553.4

\* cited by examiner

*Primary Examiner*—Caron D. Veynar

*Assistant Examiner*—Ricky Pham

(74) *Attorney, Agent, or Firm*—Kathy Mojibi Kavcioglu

(21) Appl. No.: **29/203,531**  
(22) Filed: **Apr. 15, 2004**

(57) **CLAIM**

(51) **LOC (8) Cl.** ..... **07-02**  
(52) **U.S. Cl.** ..... **D7/354**  
(58) **Field of Classification Search** ..... D7/323,  
D7/354–360, 550.1, 551.1, 552.1, 553.1,  
D7/554.1, 554.2, 554.3, 393, 554.4, 602;  
99/324, 339, 422, 446, 448; 220/573.1, 573.2,  
220/573.3, 574, 573.4, 912; 294/172  
See application file for complete search history.

I claim the ornamental design for a portion of a baking pan,  
as shown and described.

**DESCRIPTION**

(56) **References Cited**

U.S. PATENT DOCUMENTS

1,308,151 A \* 7/1919 Vogel ..... 99/422  
D106,782 S \* 11/1937 De Benque ..... D7/553.1  
3,498,470 A \* 3/1970 Thomas ..... 211/74  
D251,102 S \* 2/1979 Box ..... D7/553.1  
D301,820 S \* 6/1989 Wasserman ..... D7/553.5  
4,989,742 A \* 2/1991 Powell ..... 220/23.4  
5,085,391 A \* 2/1992 Berger et al. .... 248/311.2  
5,110,170 A \* 5/1992 Boatwright ..... 294/146  
D331,860 S \* 12/1992 Stanfield ..... D7/549  
5,497,885 A \* 3/1996 Sussman ..... 206/563  
D385,156 S \* 10/1997 Bouldstridge Balari ... D7/554.2  
5,676,276 A \* 10/1997 Zielinski et al. .... 220/657  
6,021,914 A \* 2/2000 Schmidt ..... 220/574  
D424,879 S \* 5/2000 Biber ..... D7/543  
D424,880 S \* 5/2000 Biber ..... D7/543  
D442,830 S \* 5/2001 Raucci ..... D7/553.5  
D453,164 S \* 1/2002 Bach ..... D14/458

FIG. 1 is a top plan view of a portion of a baking pan showing my new design in accordance with a first embodiment;

FIG. 2 is a bottom plan view of the portion of the baking pan shown in FIG. 1;

FIG. 3 is a left side elevational view of the portion of the baking pan shown in FIG. 1; the right side being a mirror image.

FIG. 4 is a front elevational view of the portion of the baking pan shown in FIG. 1;

FIG. 5 is a top plan view of an alternative embodiment of a portion of the baking pan of the present invention;

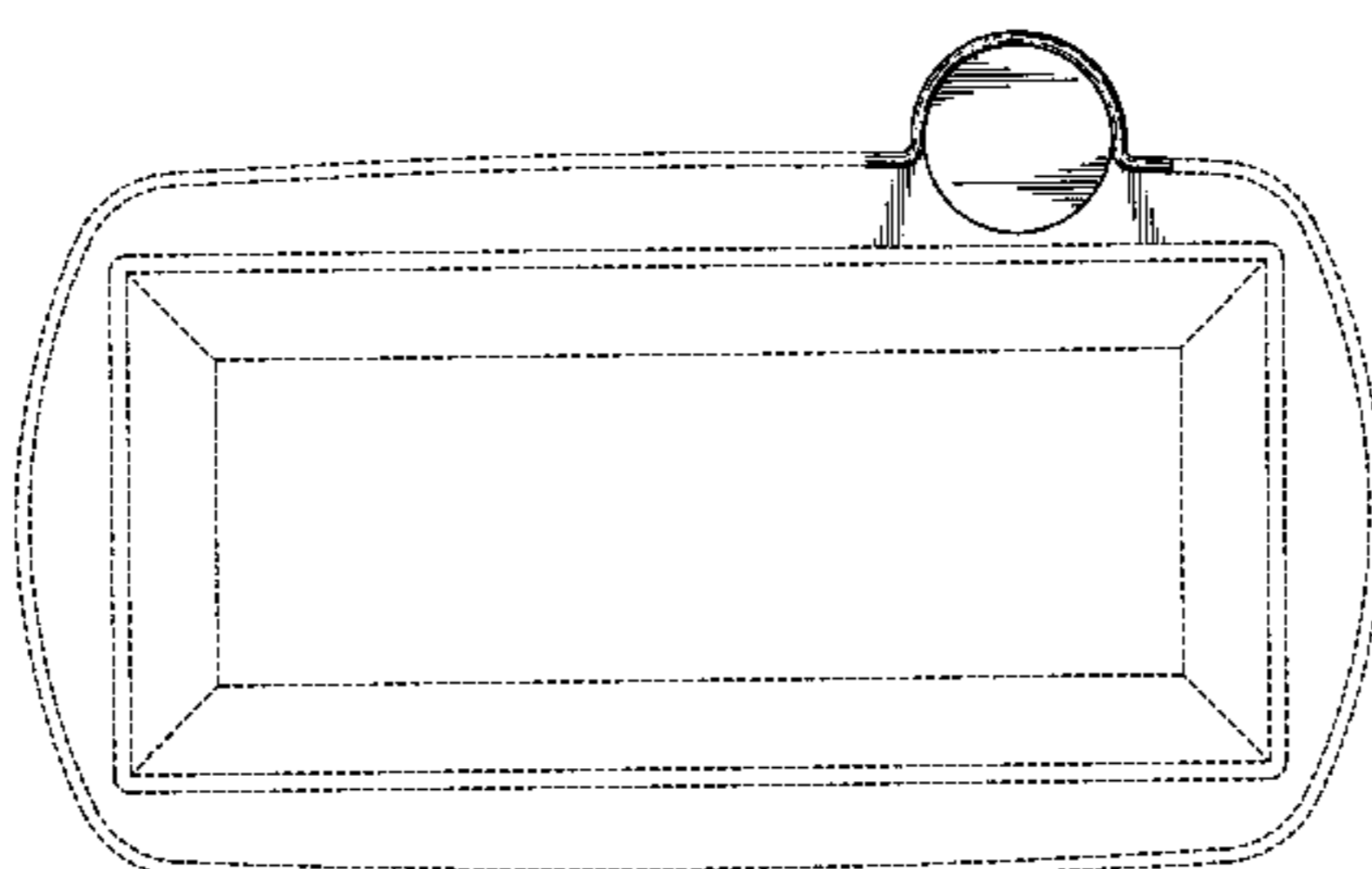
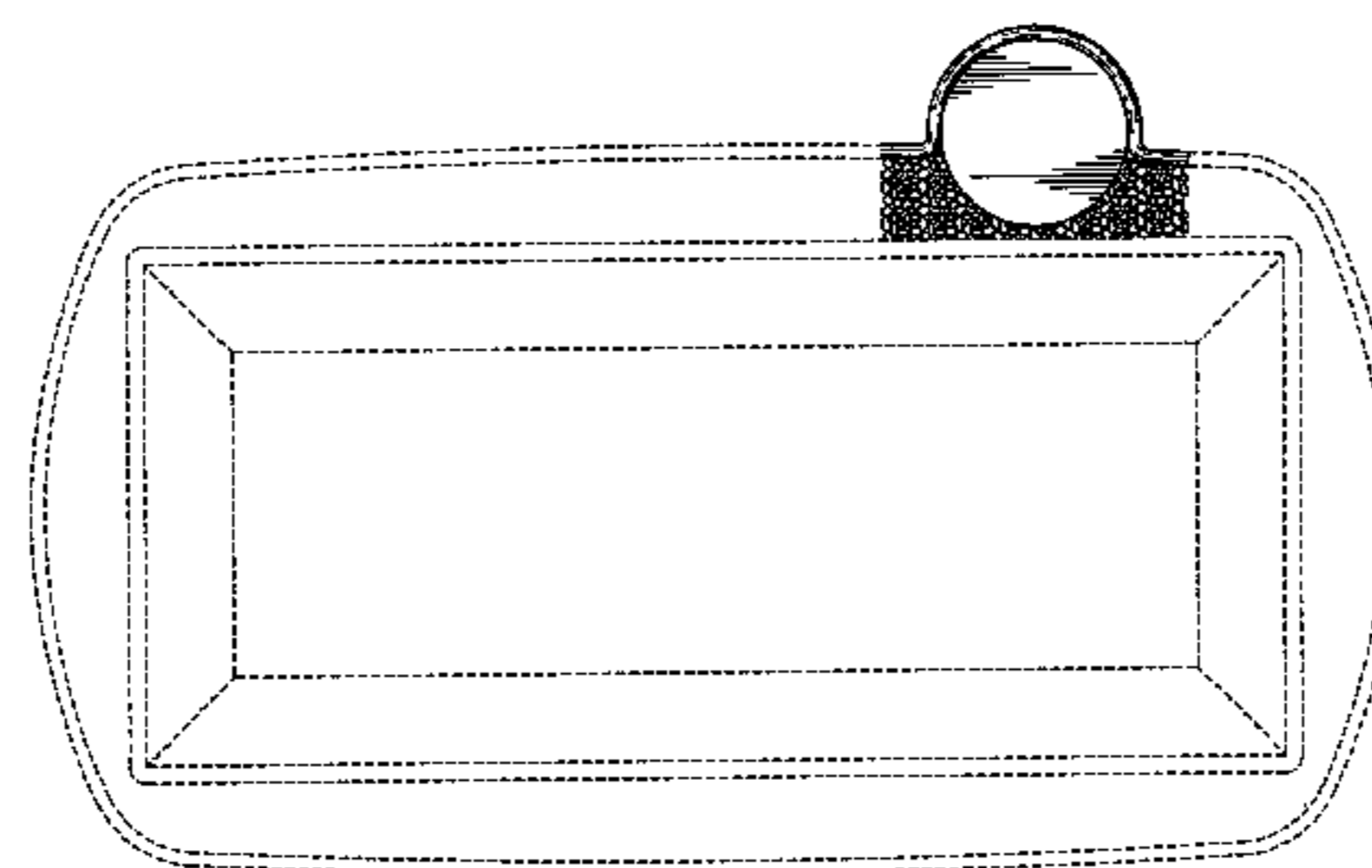
FIG. 6 is a bottom plan view of the portion of the baking pan shown in FIG. 5;

FIG. 7 is a left side elevational view of the portion of the baking pan shown in FIG. 5; the right side being a mirror image; and,

FIG. 8 is a front elevational view of the portion of the baking pan shown in FIG. 5.

The broken lines in the figures are for illustrative purposes only and form no part of the claimed design.

**1 Claim, 8 Drawing Sheets**



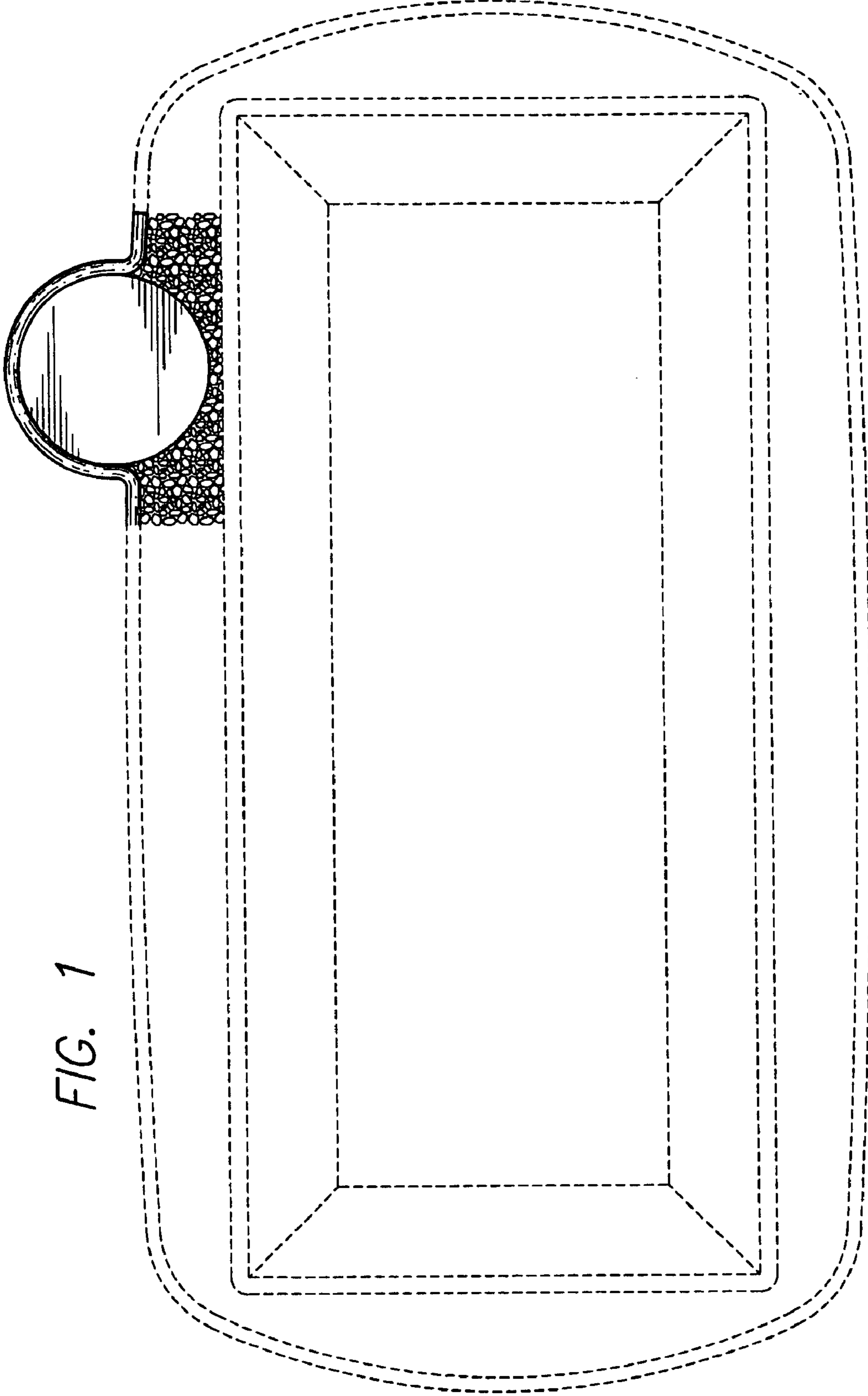


FIG. 1

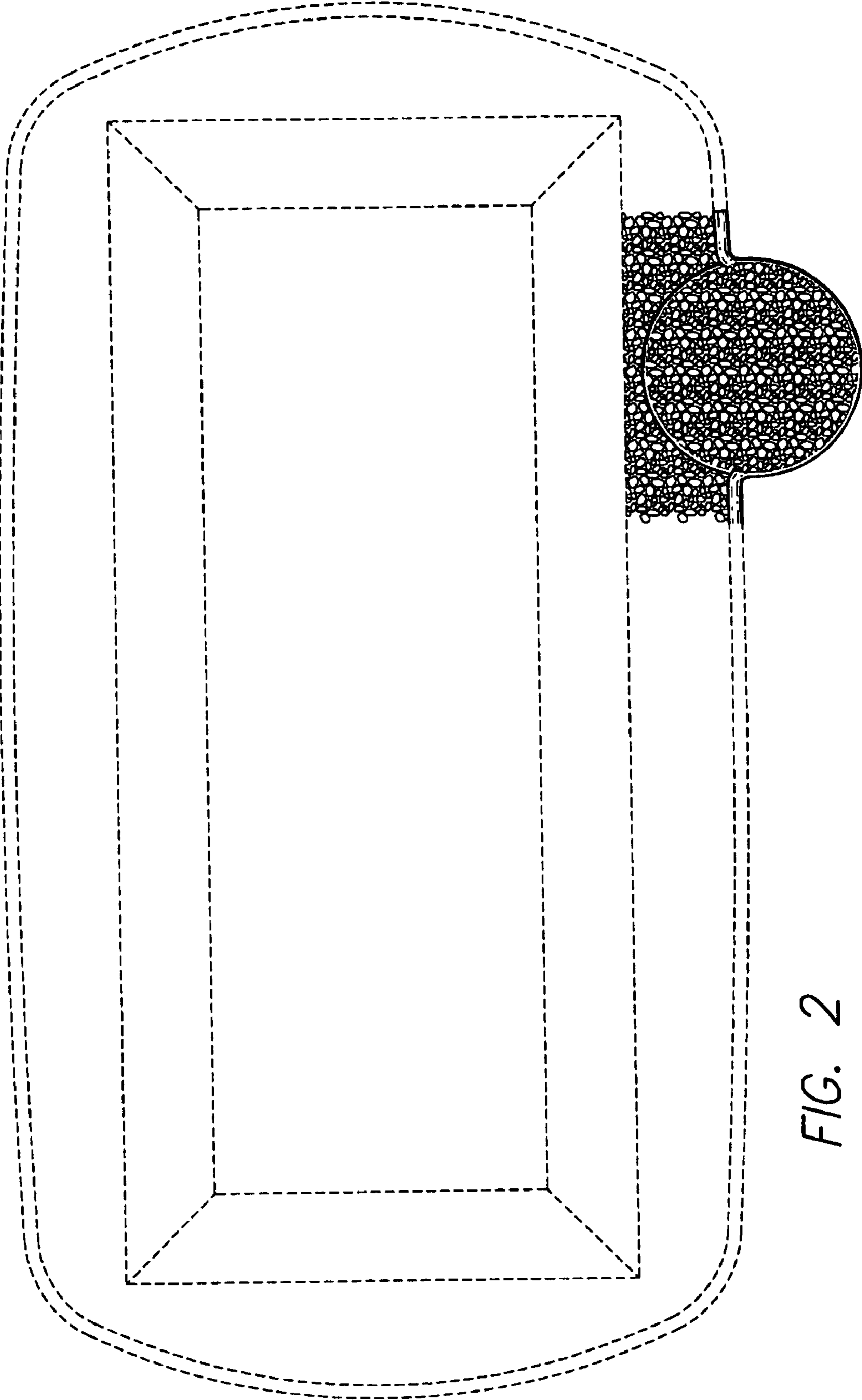


FIG. 2

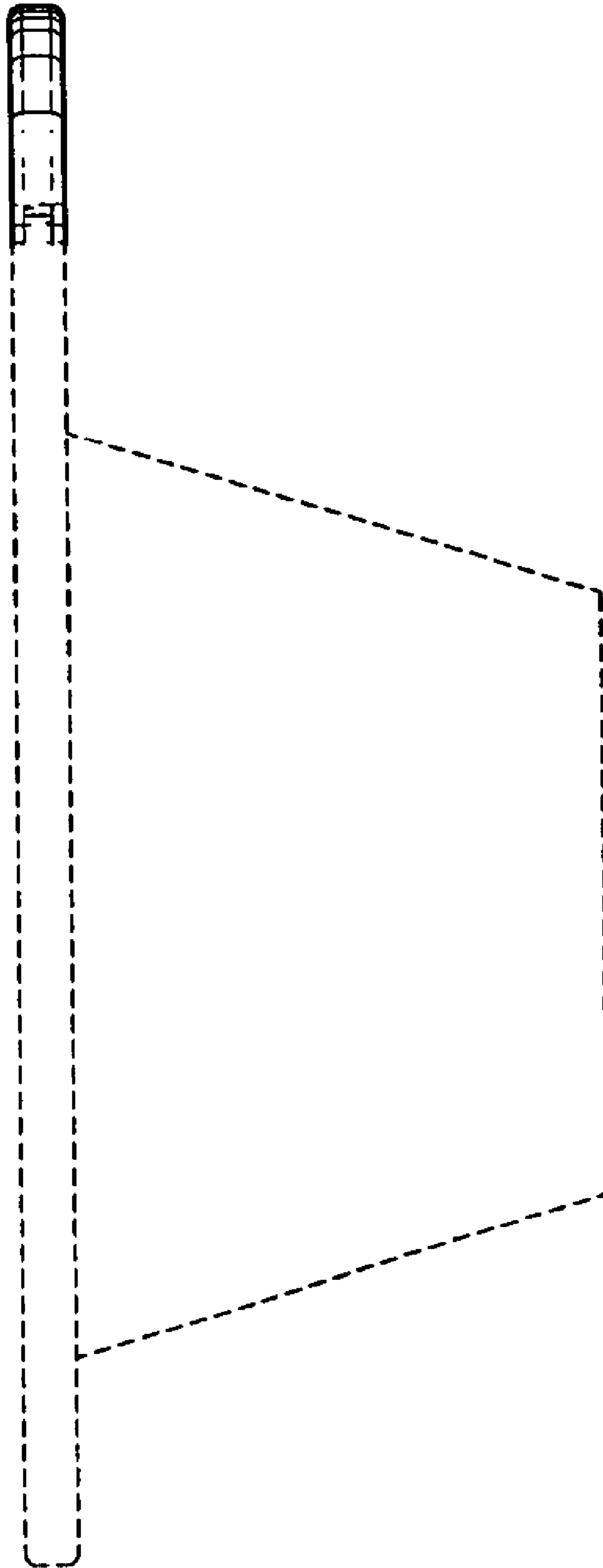


FIG. 3

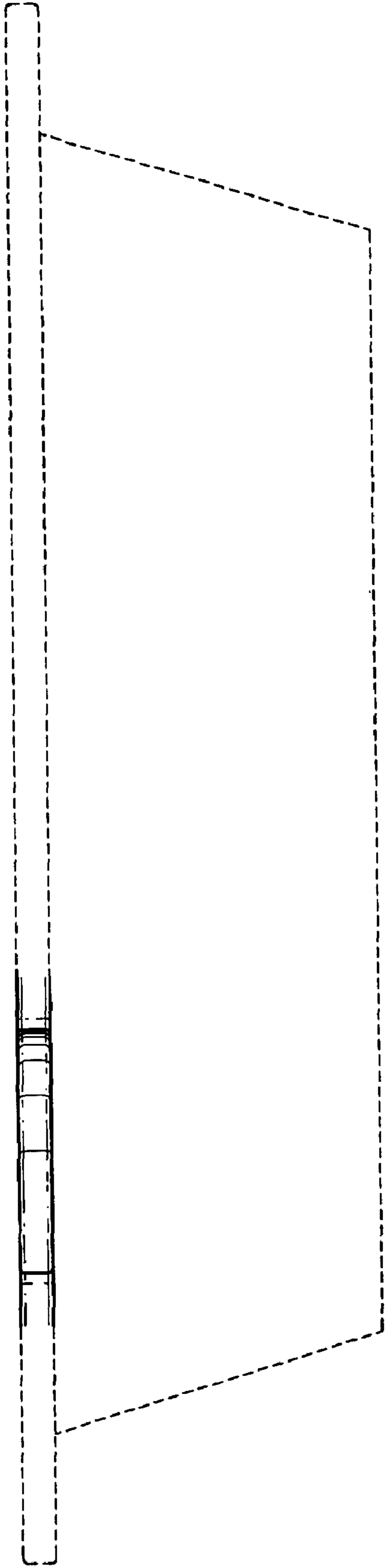


FIG. 4

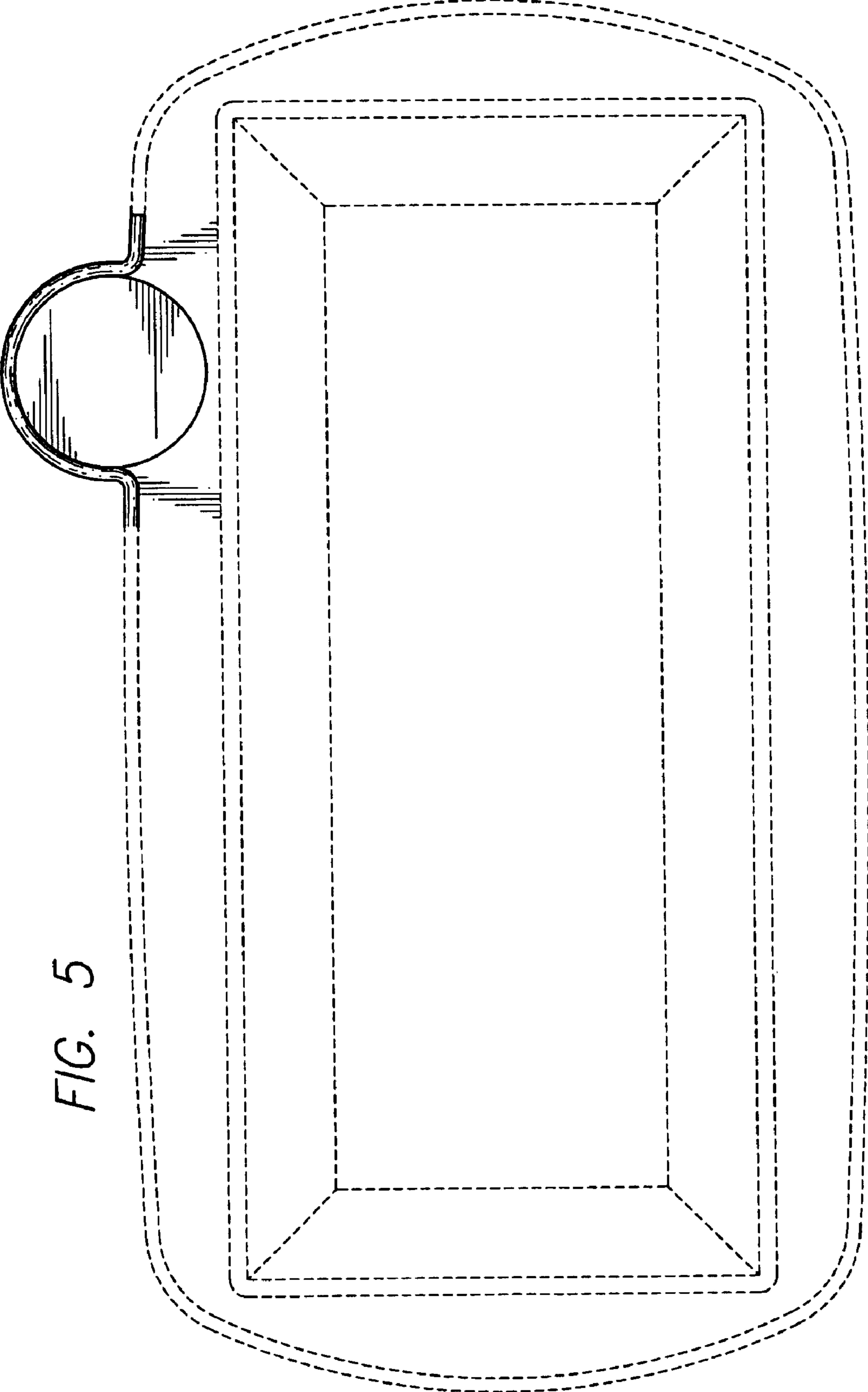


FIG. 5

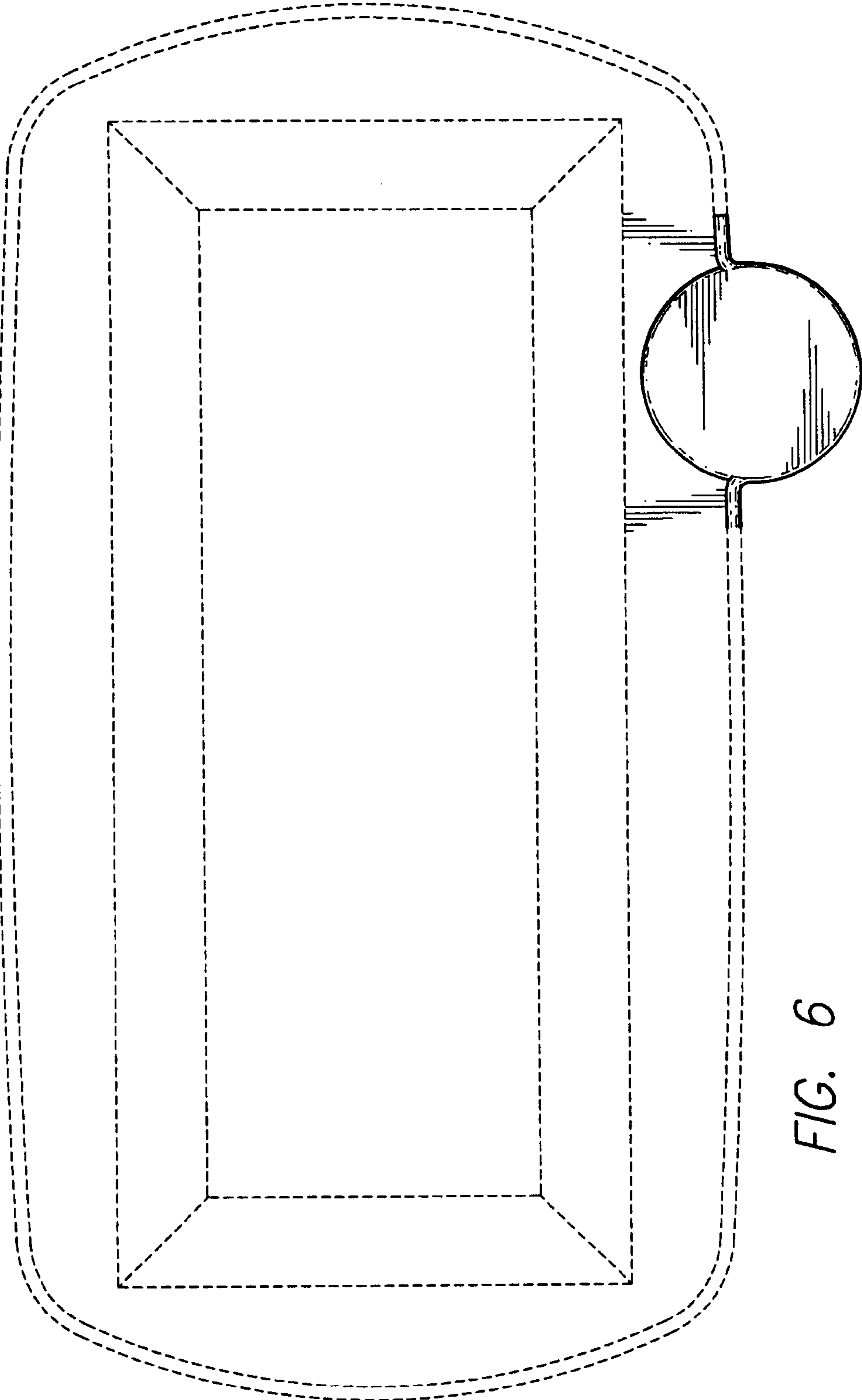


FIG. 6

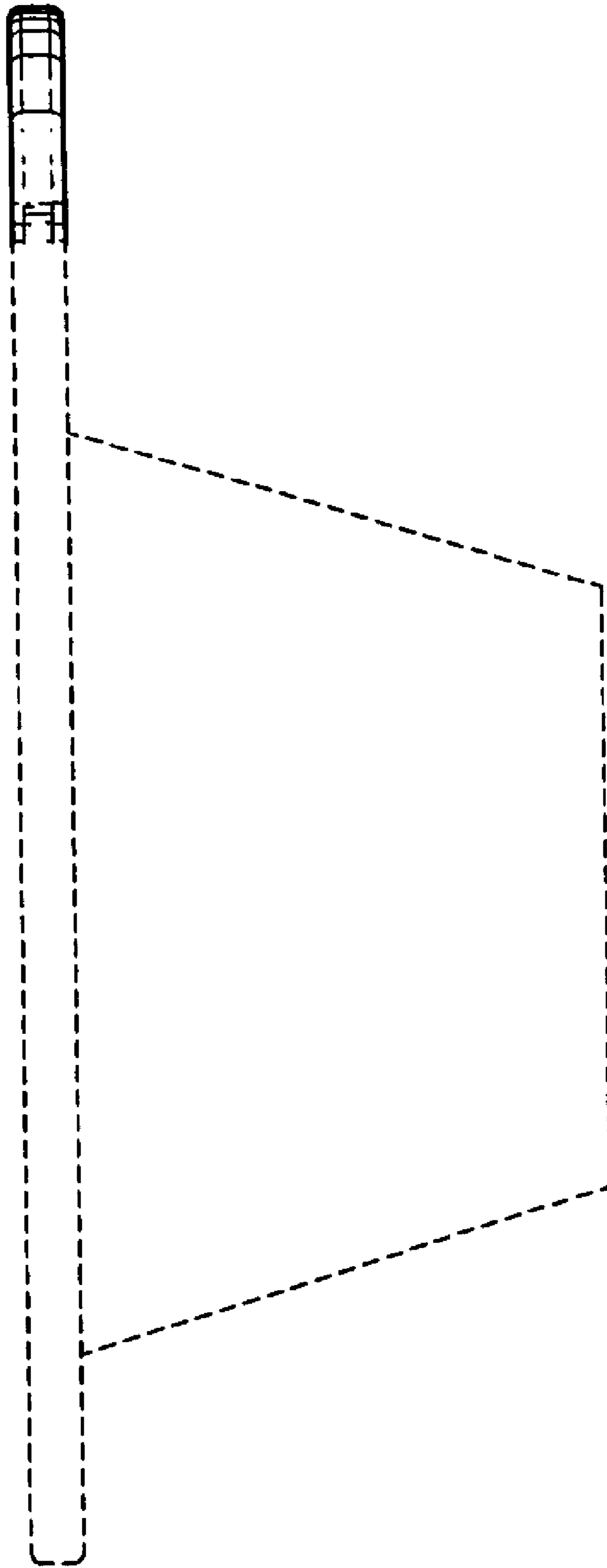


FIG. 7



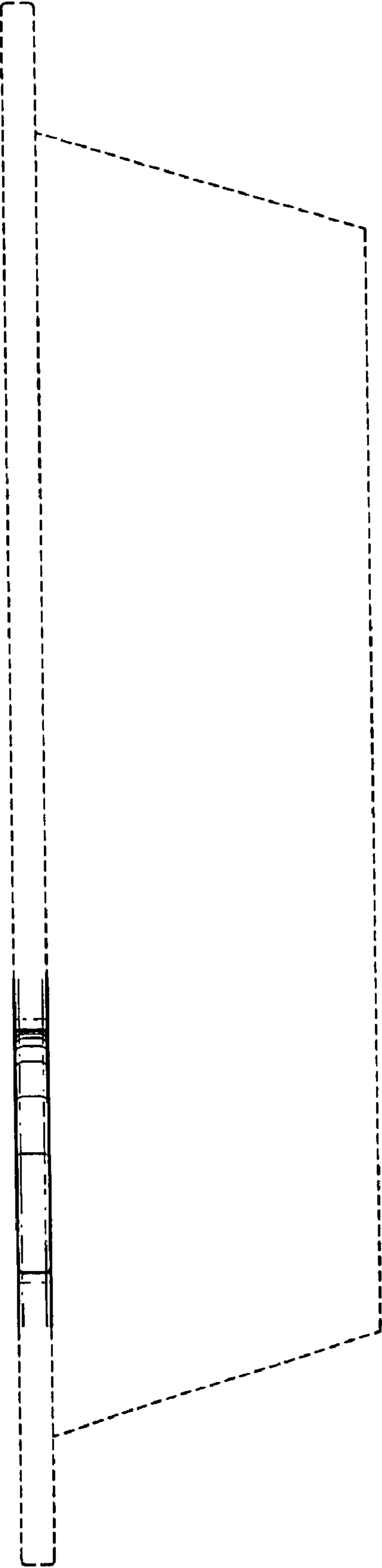


FIG. 8