



US00D524092S

(12) **United States Design Patent**
Bayer

(10) **Patent No.:** **US D524,092 S**

(45) **Date of Patent:** **** Jul. 4, 2006**

(54) **BARBEQUE GRILL**

(76) **Inventor:** **John C. Bayer**, 433 Huntington Dr.,
Baton Rouge, LA (US) 70810

(**) **Term:** **14 Years**

(21) **Appl. No.:** **29/220,709**

(22) **Filed:** **Jan. 5, 2005**

(51) **LOC (8) Cl.** **07-02**

(52) **U.S. Cl.** **D7/334**

(58) **Field of Classification Search** D7/332,
D7/334-337, 402-405; 126/25 R, 25 A,
126/25 AA, 40, 50, 41 R, 39 R, 304 R, 305,
126/19 M, 245, 276; 108/115; 99/419; 248/129,
248/188.6, 250, 439; D21/540-541
See application file for complete search history.

(56) **References Cited**

U.S. PATENT DOCUMENTS

D204,579 S	4/1966	Weatherly	
D221,163 S	* 7/1971	Tong	D21/541
D260,069 S	* 8/1981	Birmingham	D7/335
D282,519 S	2/1986	Sustana	
D285,279 S	8/1986	Arevalo et al.	
D292,547 S	11/1987	Bayer	

D302,094 S	*	7/1989	Reeves	D7/334
D340,612 S	*	10/1993	Birmingham	D7/334
D351,307 S	*	10/1994	Birmingham	D7/334
D351,447 S	*	10/1994	Barnes	D21/541
D366,804 S	*	2/1996	Kitten	D7/334
D441,249 S	*	5/2001	Kitten	D7/334

* cited by examiner

Primary Examiner—Ruth McInroy

(74) *Attorney, Agent, or Firm*—Garvey, Smith, Nehbrass & North, L.L.C.

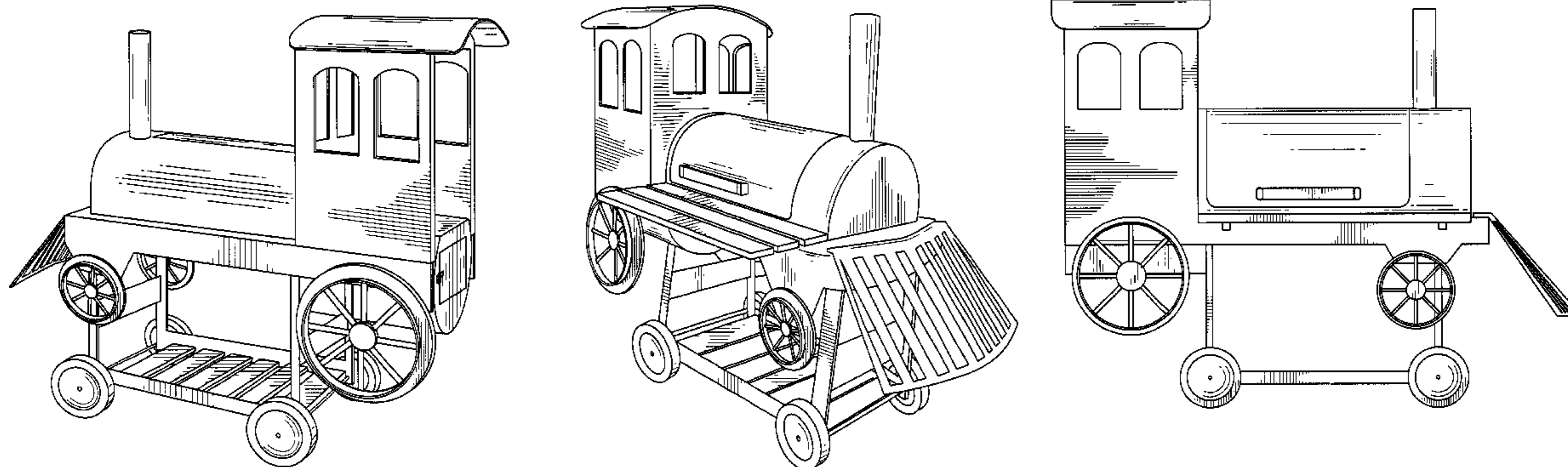
(57) **CLAIM**

The ornamental design for a barbecue grill, as shown and described.

DESCRIPTION

FIG. 1 is a rear perspective view of a barbecue grill showing my new design;
FIG. 2 is a front perspective view thereof;
FIG. 3 is a front elevational view thereof;
FIG. 4 is a rear elevational view thereof;
FIG. 5 is a right elevational view thereof;
FIG. 6 is a left elevational view thereof;
FIG. 7 is a top view thereof; and,
FIG. 8 is a bottom view thereof.

1 Claim, 8 Drawing Sheets



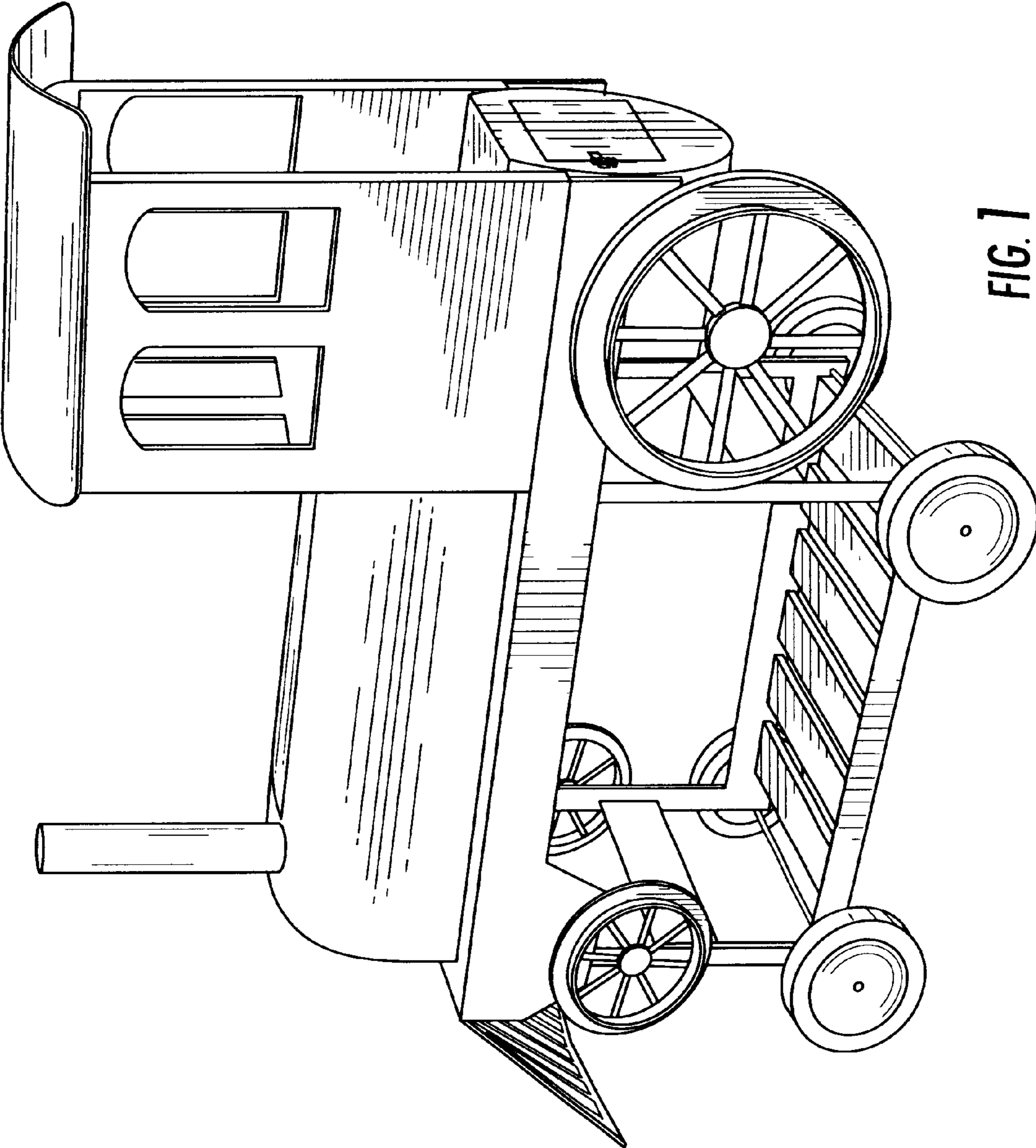


FIG. 1

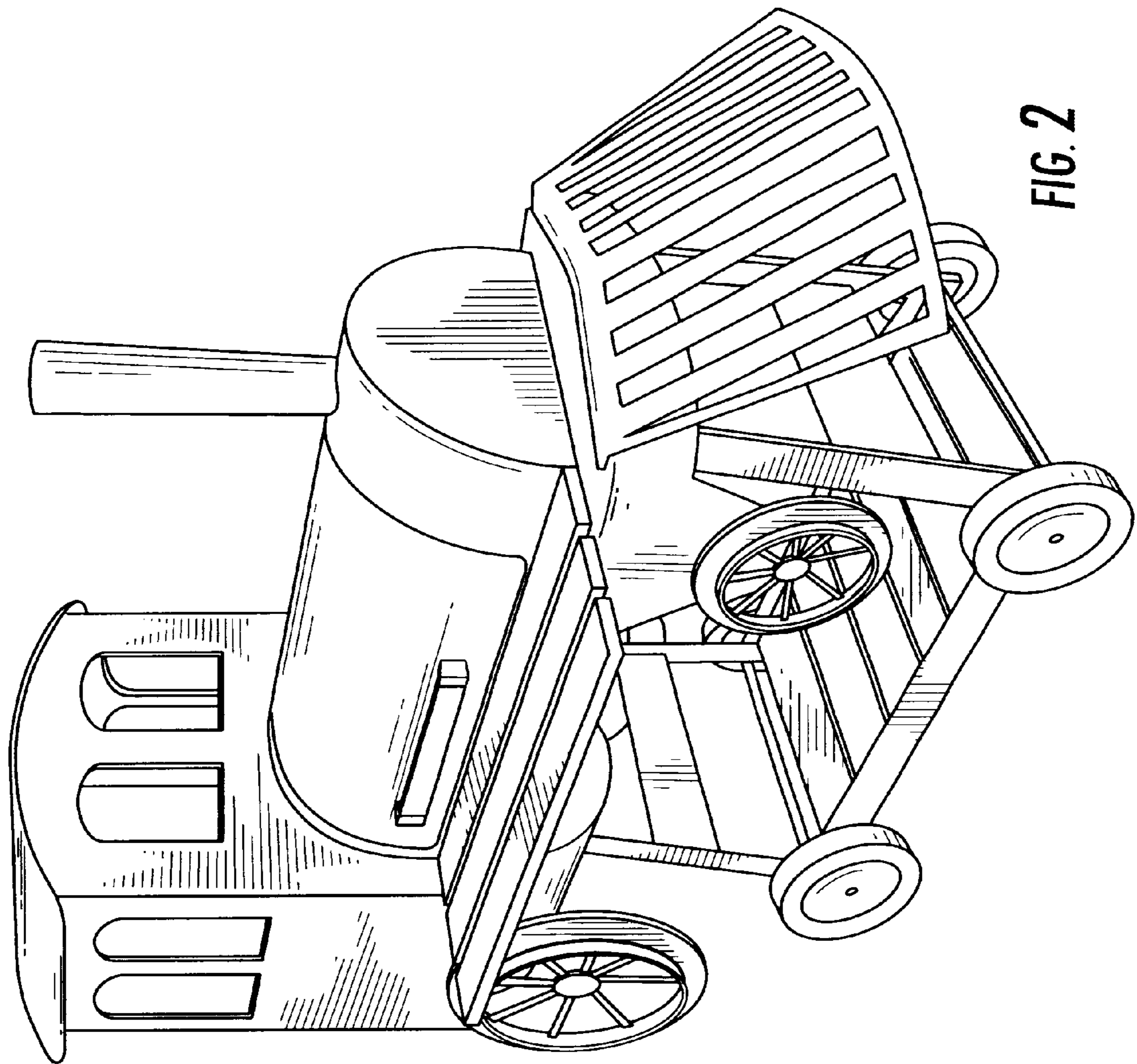


FIG. 2

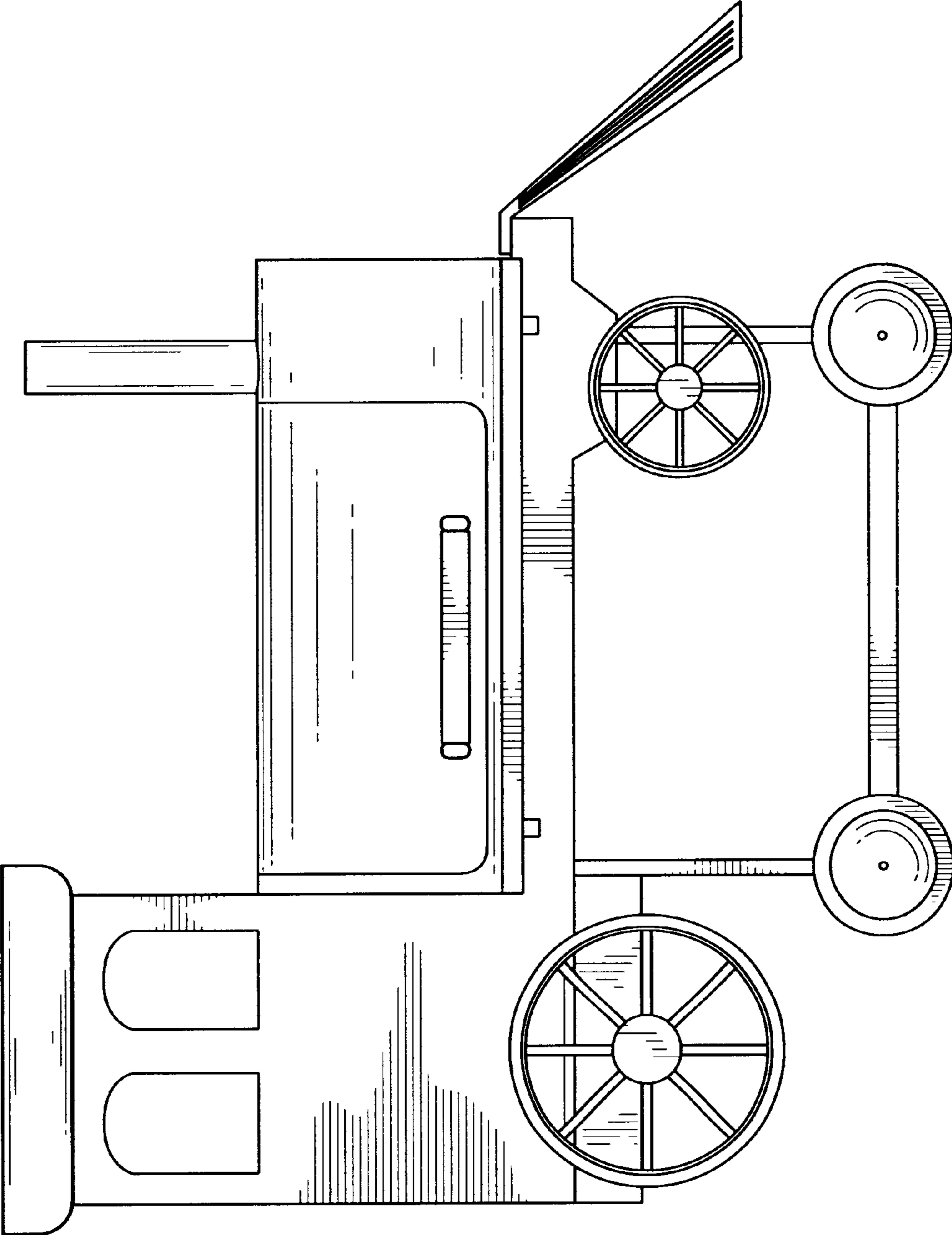


FIG. 3

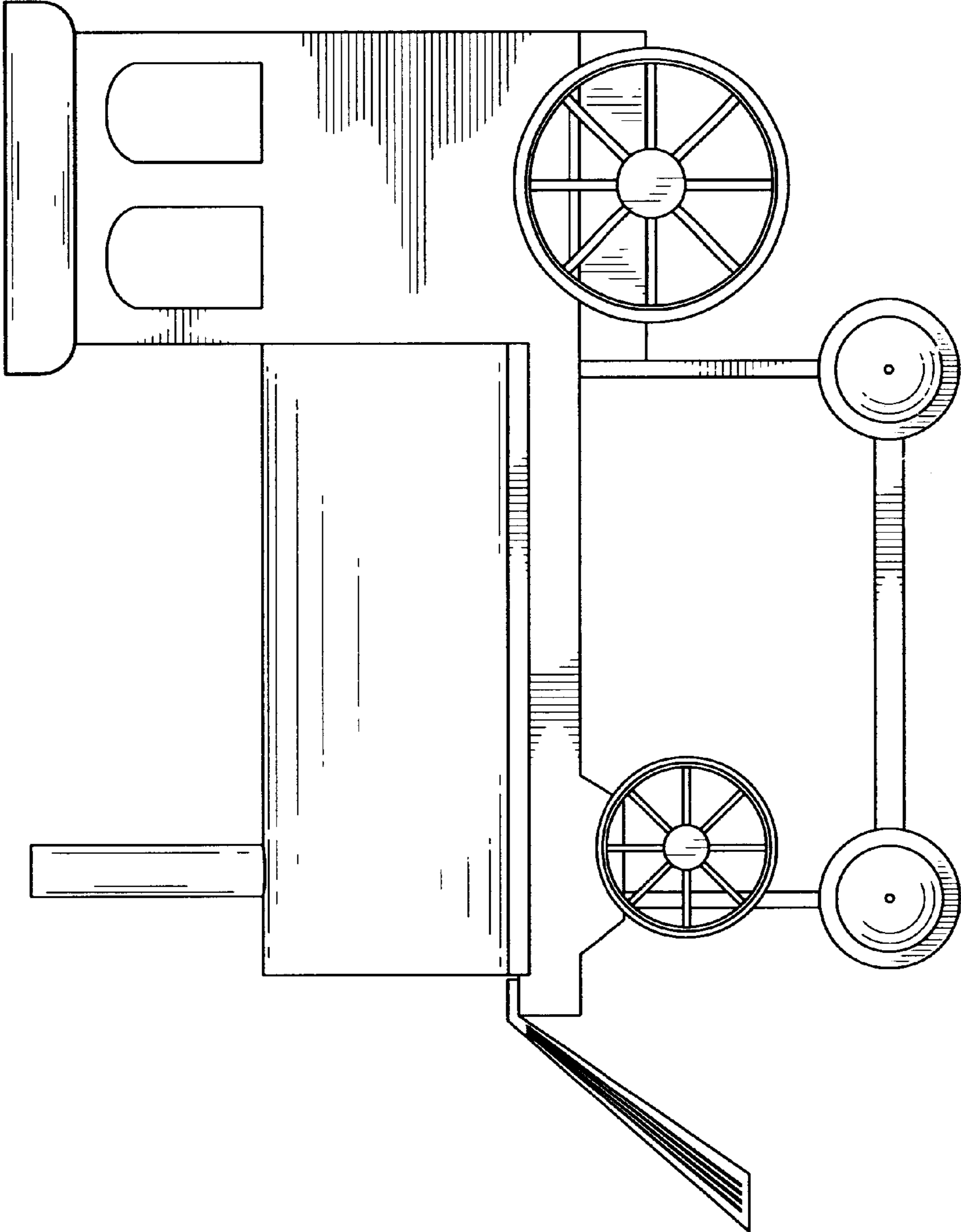


FIG. 4

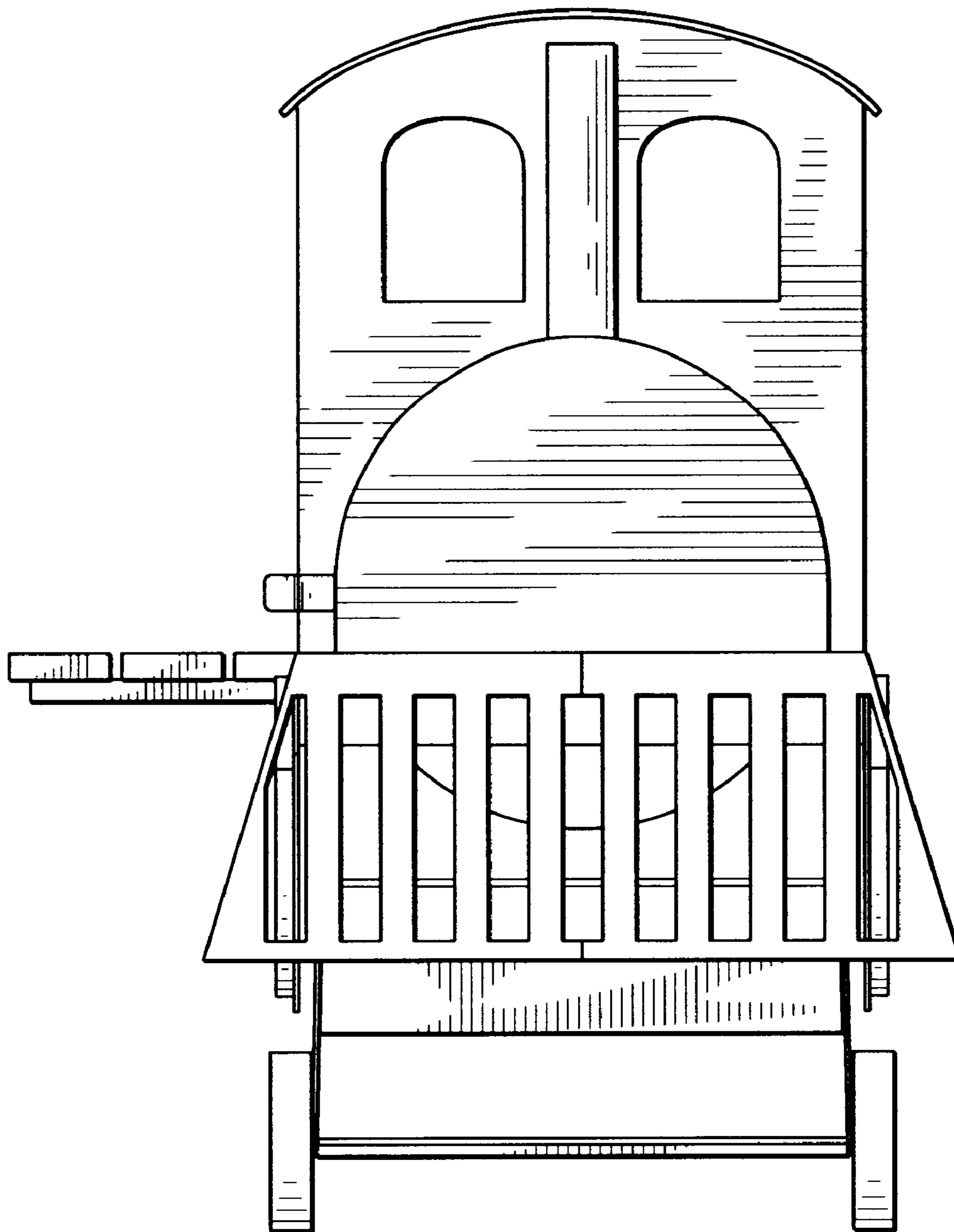


FIG. 5

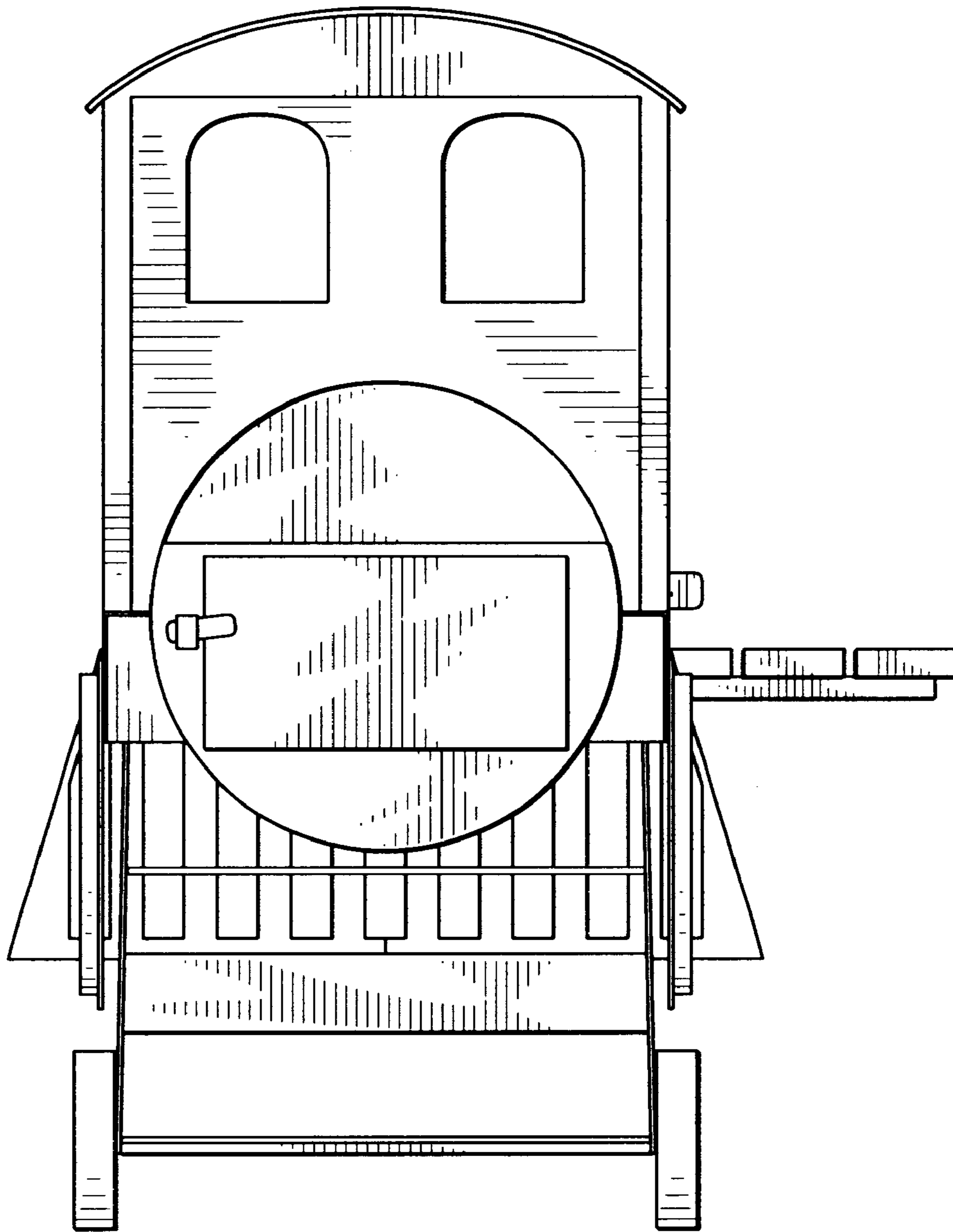


FIG. 6

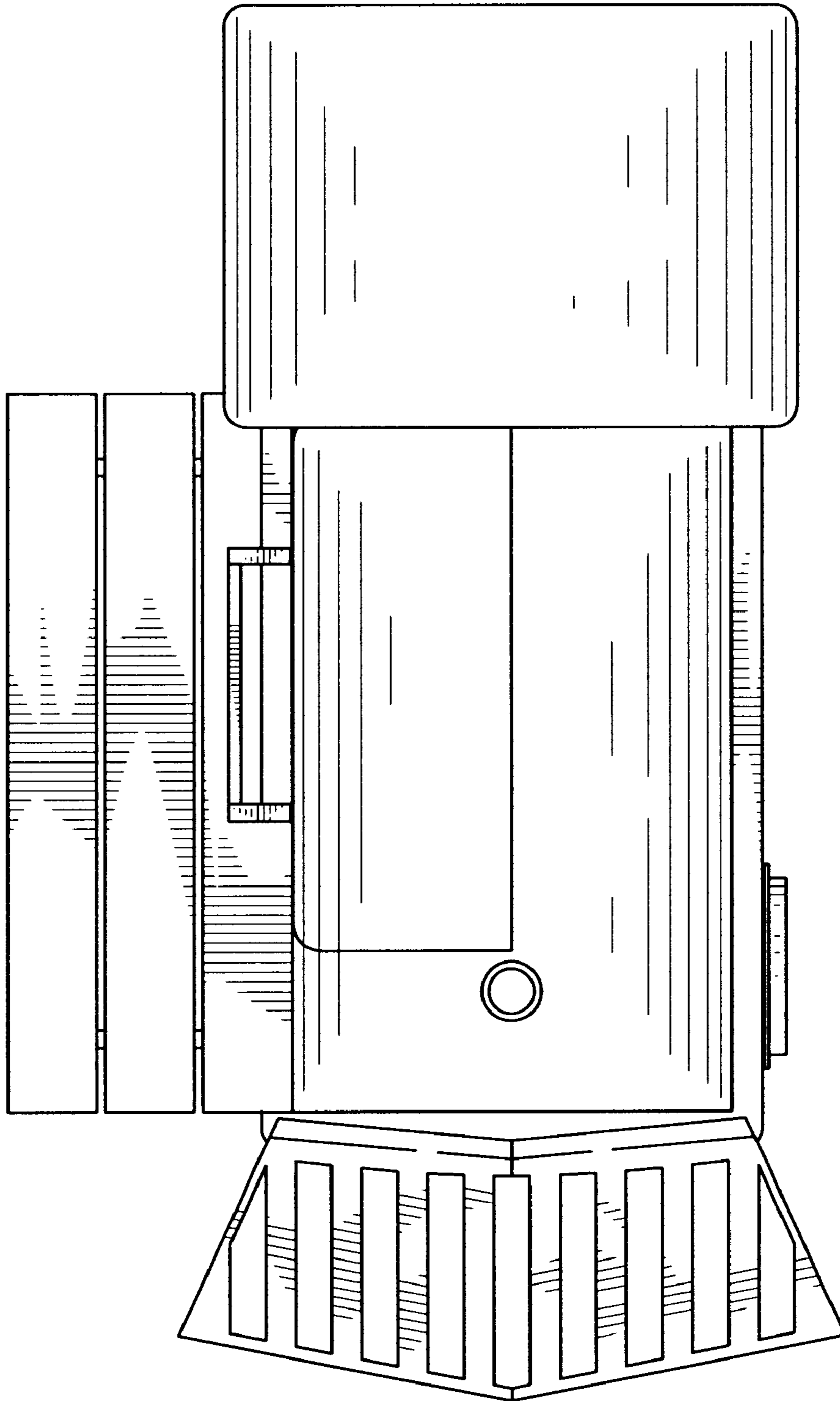


FIG. 7

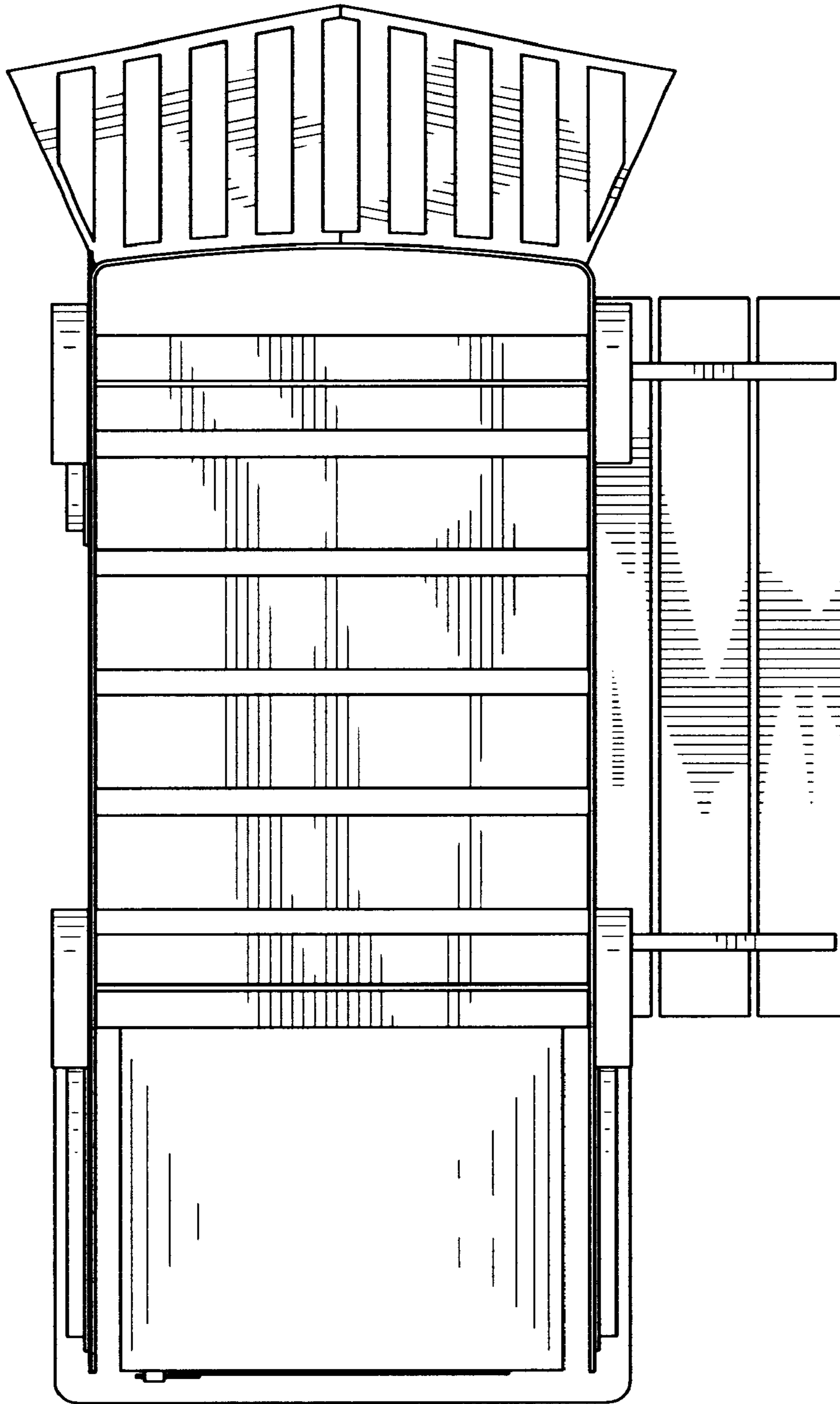


FIG. 8