



US00D524091S

(12) **United States Design Patent** (10) **Patent No.:** **US D524,091 S**
Lai (45) **Date of Patent:** **** Jul. 4, 2006**

(54) **CONTAINER USEFUL AS A BARBEQUE GRILL OR BEVERAGE COOLER**

(76) Inventor: **Alfred Y. Lai**, 8286 Western Way Cir., Unit D-7, Jacksonville, FL (US) 32256

(**) Term: **14 Years**

(21) Appl. No.: **29/202,594**

(22) Filed: **Apr. 1, 2004**

(51) **LOC (8) Cl.** **07-02**

(52) **U.S. Cl.** **D7/332**

(58) **Field of Classification Search** D7/332, D7/334-337, 402-405, 393-395, 606; 126/25 R, 126/25 A, 25 AA, 41 R, 9 R, 38, 39 H, 39 BA; 99/401, 425, 446-447, 450, 481; 219/450.1, 219/452.12, 533; D8/315-320; D9/500, 502, D9/520, 506, 518, 428; 220/560.9, 4.04, 220/906

See application file for complete search history.

(56) **References Cited**

U.S. PATENT DOCUMENTS

D235,088 S	*	5/1975	Erikson	D7/332
D316,949 S	*	5/1991	Frizell	D7/608
D324,494 S	*	3/1992	Nickerson	D9/503
D360,340 S	*	7/1995	Hitch et al.	D7/604
D393,730 S	*	4/1998	Petruzzi	D26/38
D396,916 S	*	8/1998	Ochs, Sr.	D34/4
D432,015 S	*	10/2000	Holiday	D9/518
D447,913 S	*	9/2001	Cragg	D7/402
D473,428 S	*	4/2003	Mak	D7/606
D482,230 S	*	11/2003	Lai	D7/332
D488,665 S	*	4/2004	Zhi	D7/332
D499,651 S	*	12/2004	Gong	D9/738

* cited by examiner

Primary Examiner—Ruth McInroy

(74) *Attorney, Agent, or Firm*—Allen, Dyer, Doppelt, Milbrath & Gilchrist, P.A.

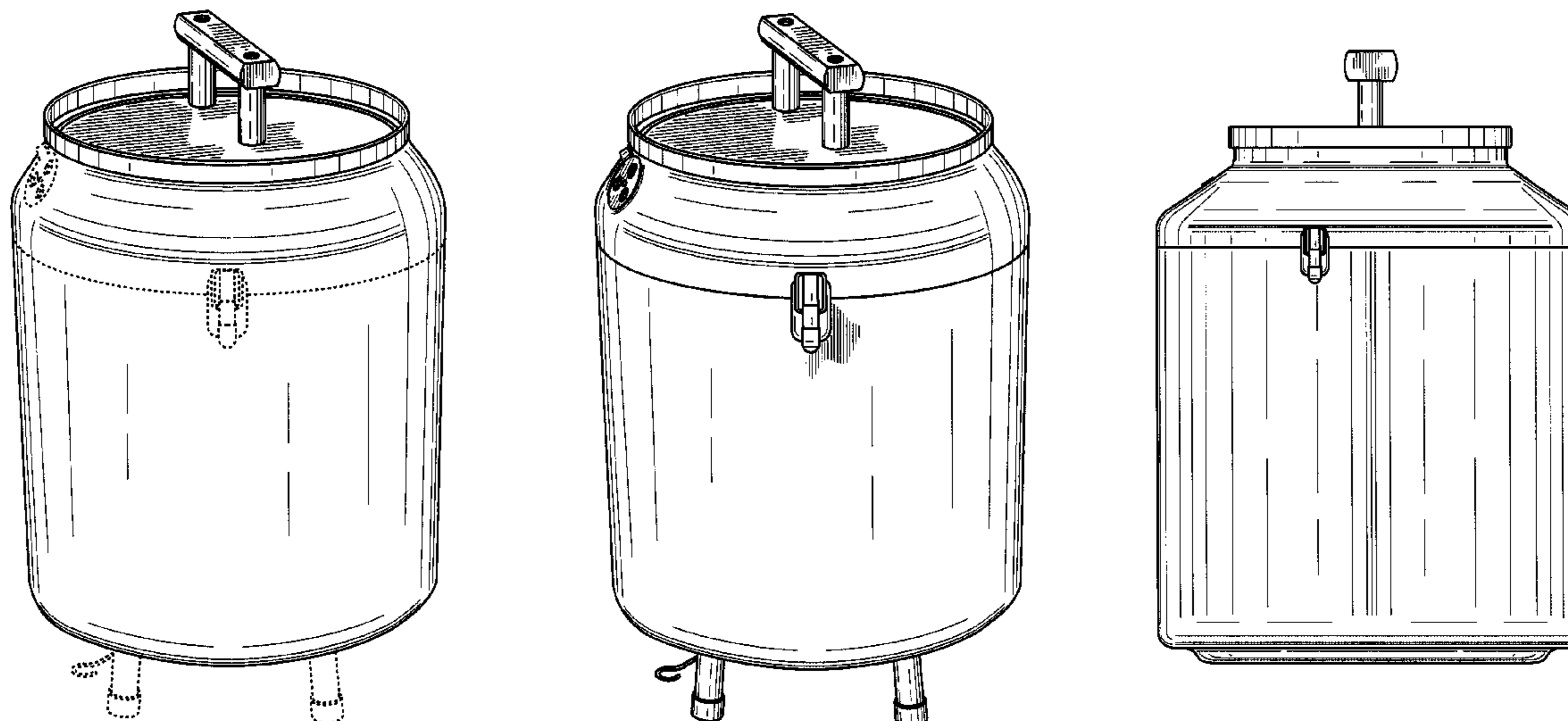
(57) **CLAIM**

I claim the ornamental design for a container useful as a barbecue grill or beverage cooler, as shown and described.

DESCRIPTION

FIG. 1 is a perspective view of a container useful as a barbecue grill or beverage cooler showing my new design; FIG. 2 is a side elevation view thereof; FIG. 3 is another side elevation view thereof; FIG. 4 is a side elevation view of the opposite side of FIG. 2; FIG. 5 is a side elevation view of the opposite side of FIG. 3; FIG. 6 is a top plan view thereof; FIG. 7 is a bottom plan view thereof; FIG. 8 is a perspective view of a second embodiment thereof; FIG. 9 is a side elevation view of FIG. 8; FIG. 10 is another side elevation view of FIG. 8; FIG. 11 is a side elevation view of the opposite side of FIG. 9; FIG. 12 is a side elevation view of the opposite side of FIG. 10; FIG. 13 is a top plan view of FIG. 8; FIG. 14 is a bottom plan view of FIG. 8; FIG. 15 is a side elevation view of a third embodiment thereof; FIG. 16 is another side elevation view of FIG. 15; FIG. 17 is a side elevation view of the opposite side of FIG. 15; FIG. 18 is a top plan view of FIG. 15; and, FIG. 19 is a bottom plan view of FIG. 15. The details shown in broken lines form no part of the claimed design.

1 Claim, 16 Drawing Sheets



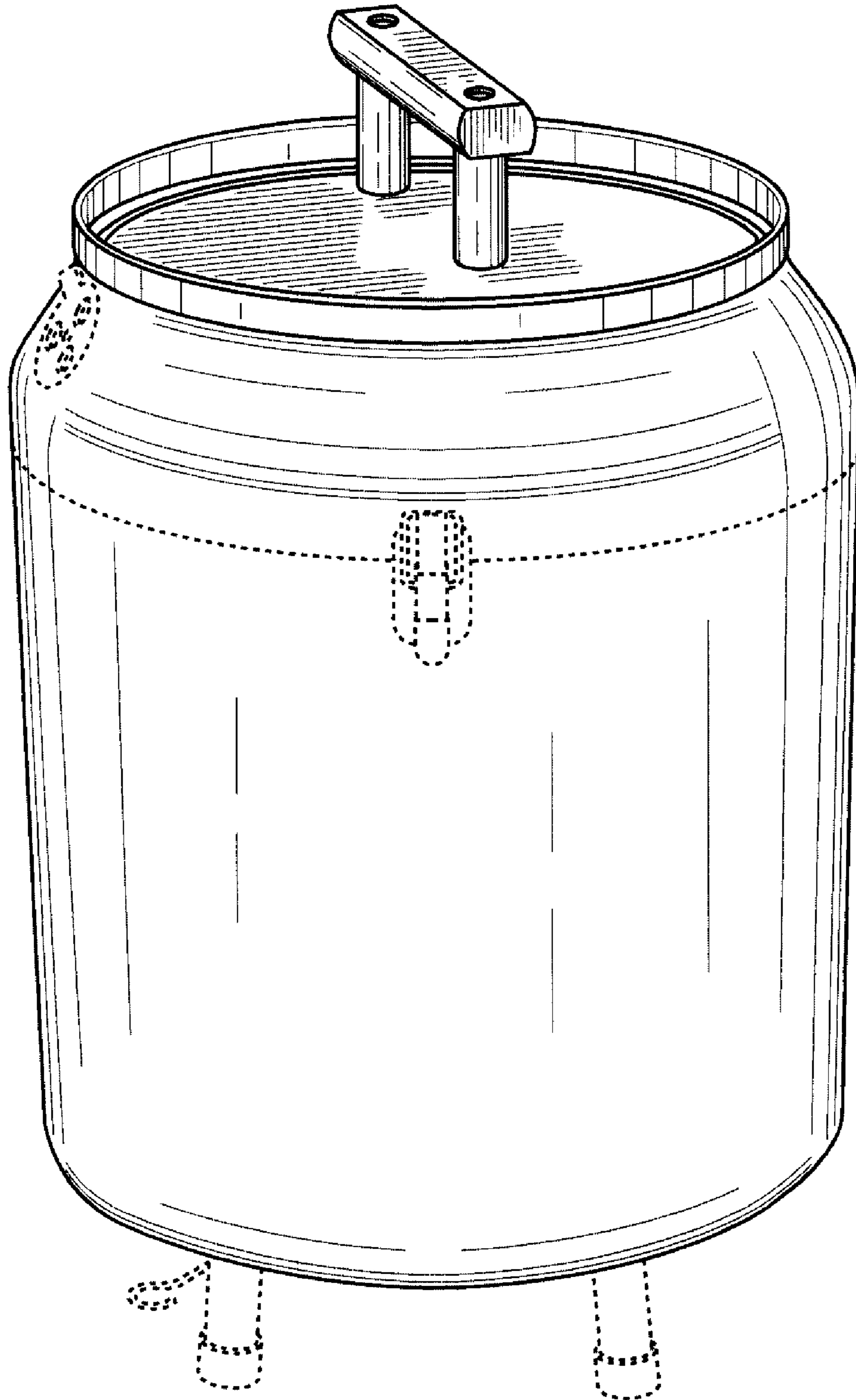


FIG. 1

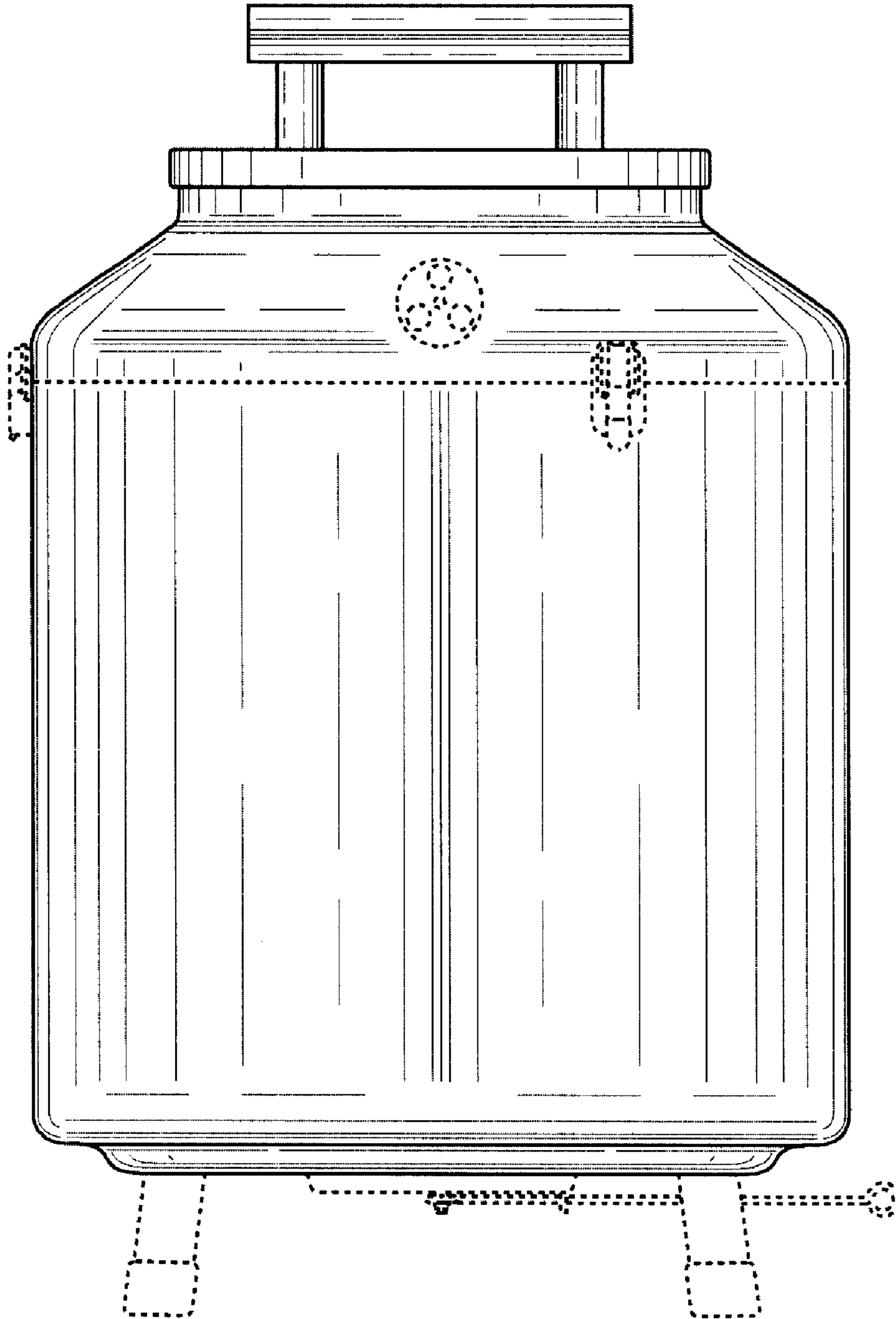


FIG. 2

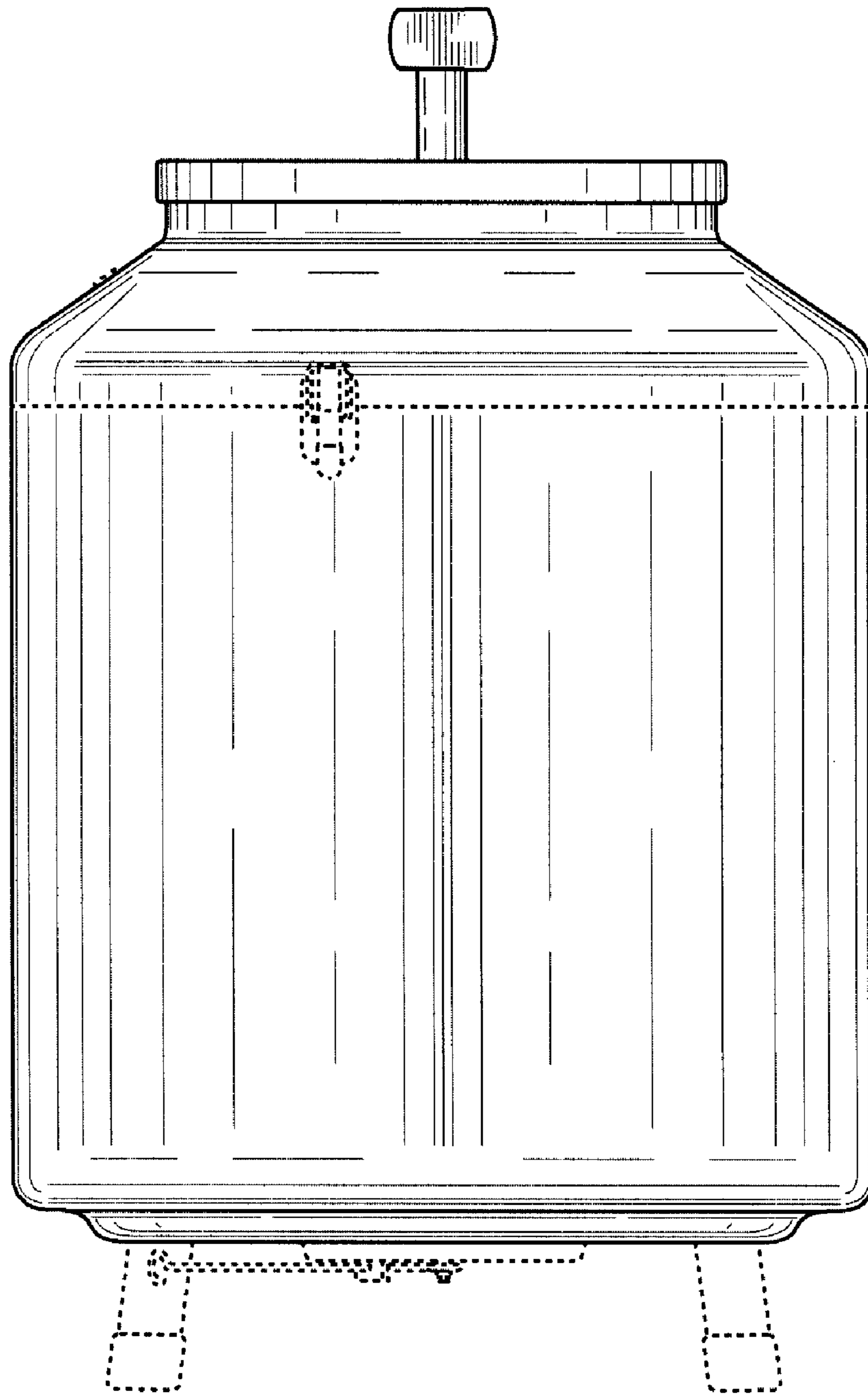


FIG. 3

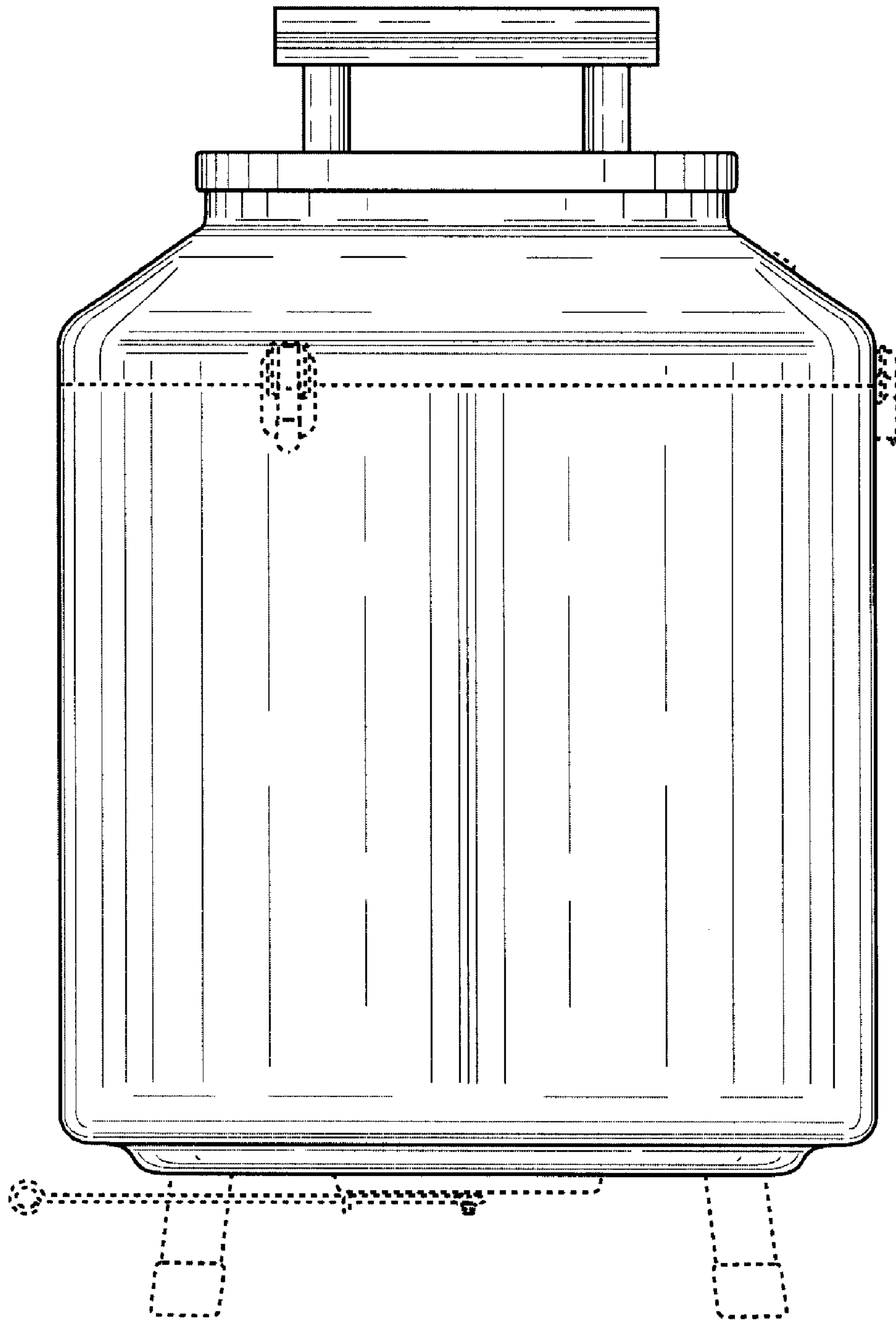


FIG. 4

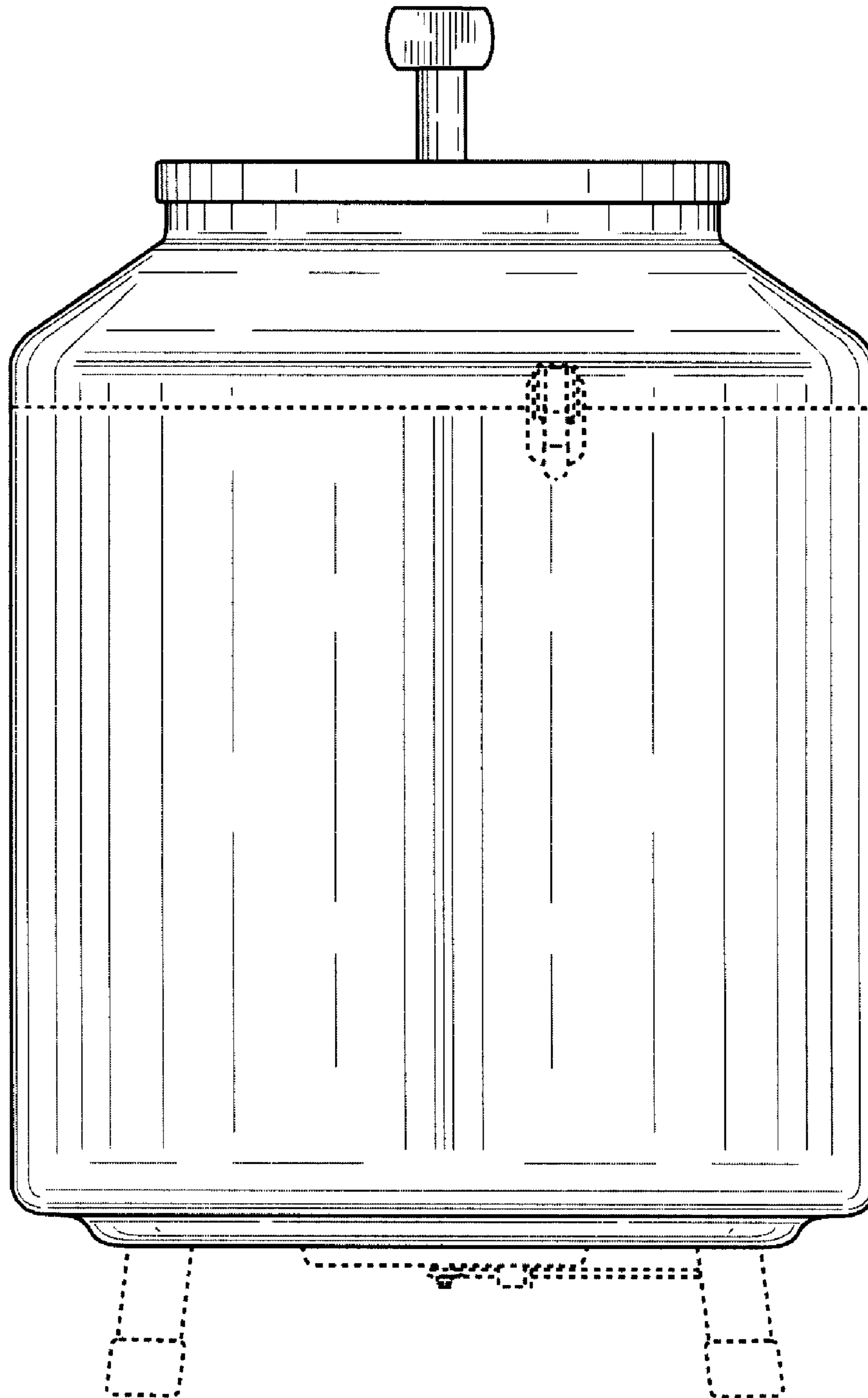
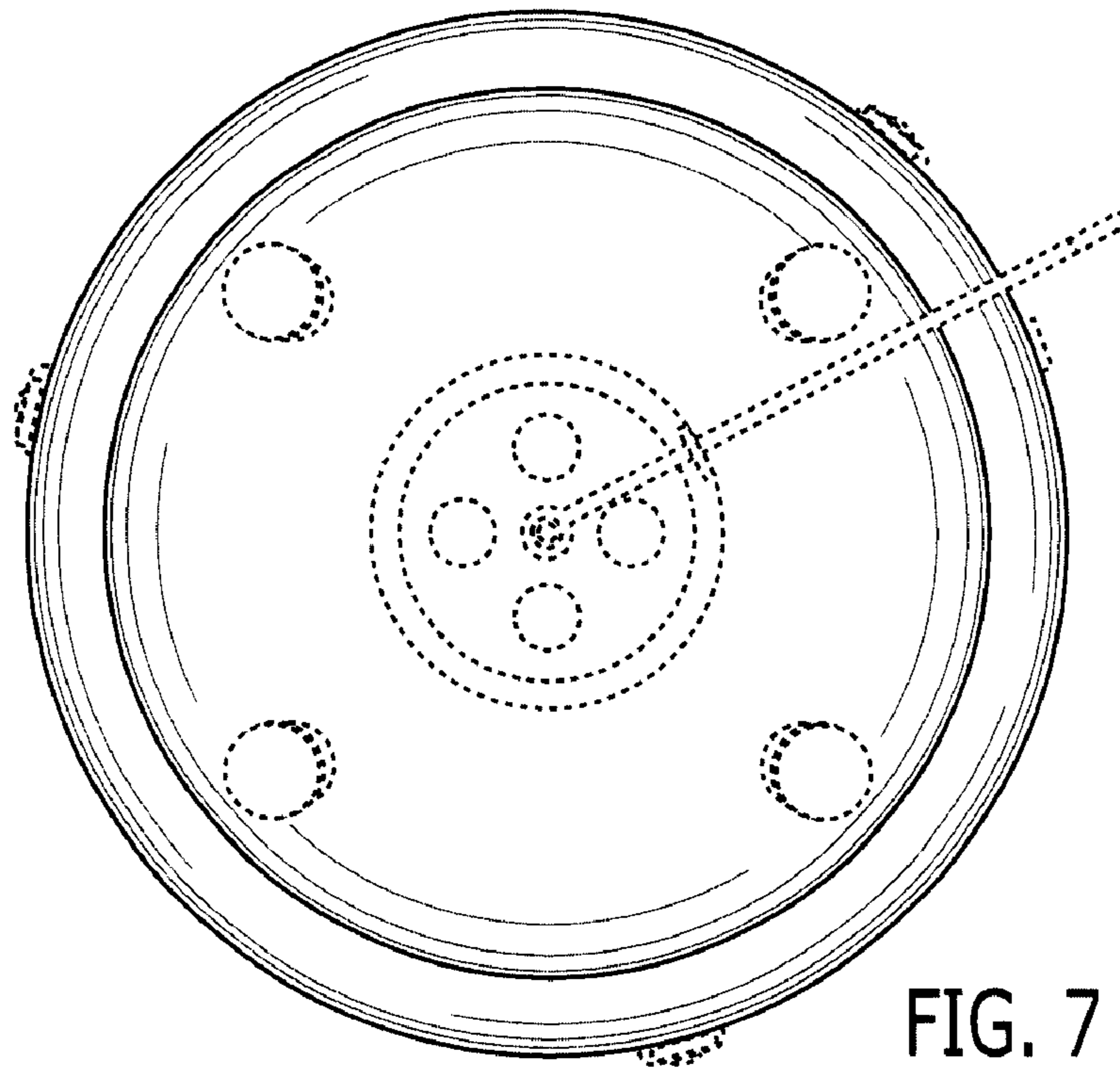
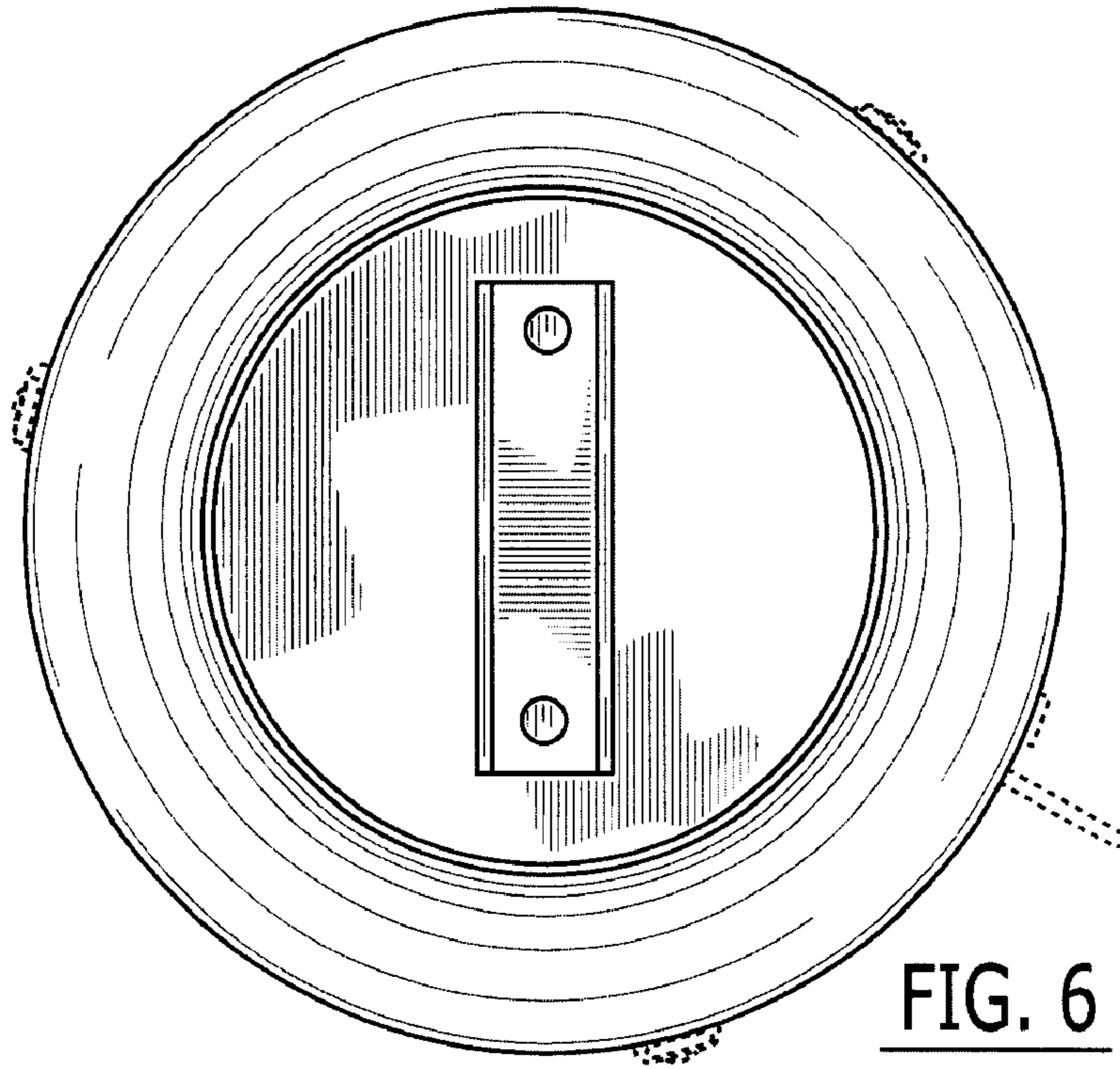


FIG. 5



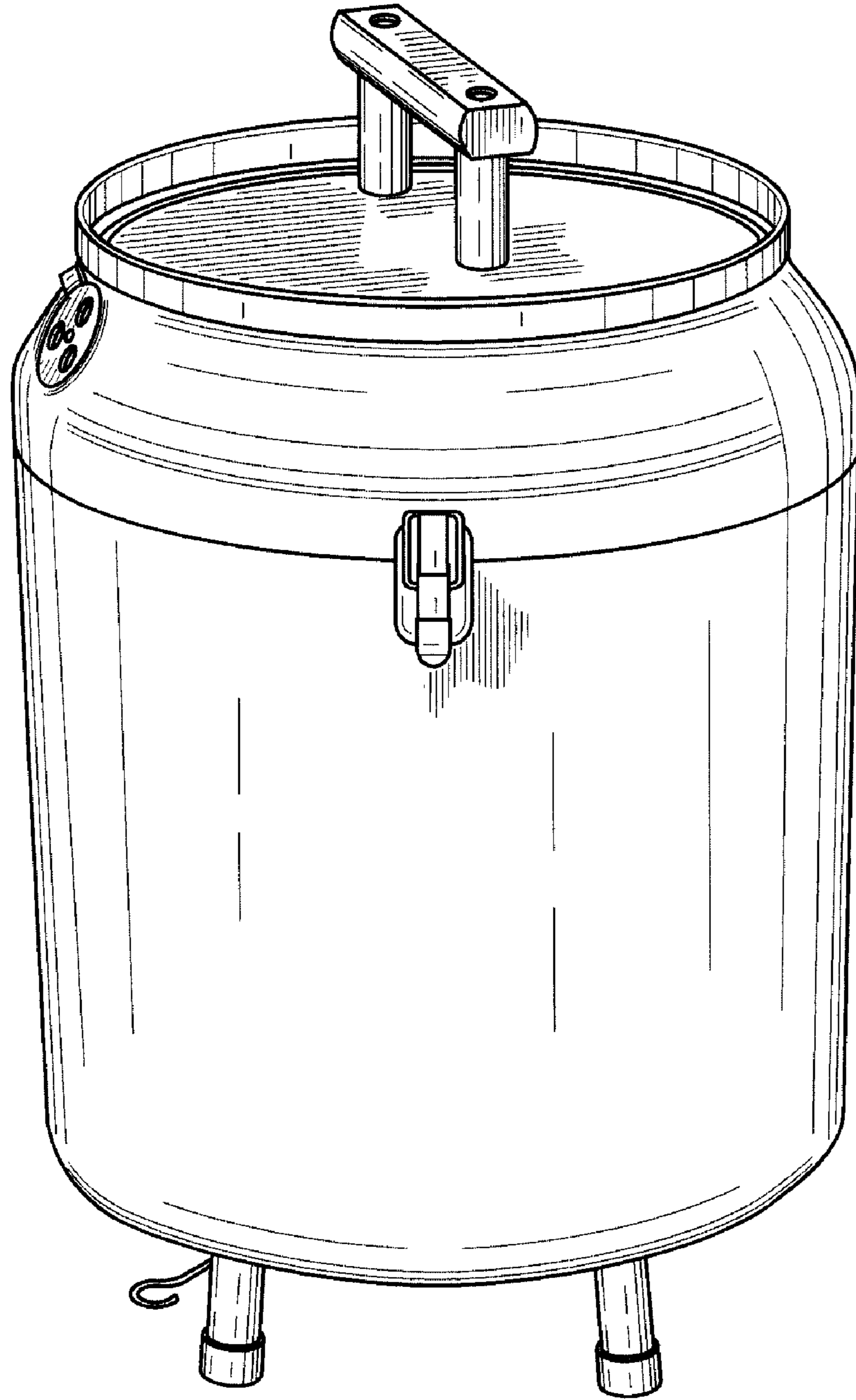


FIG. 8

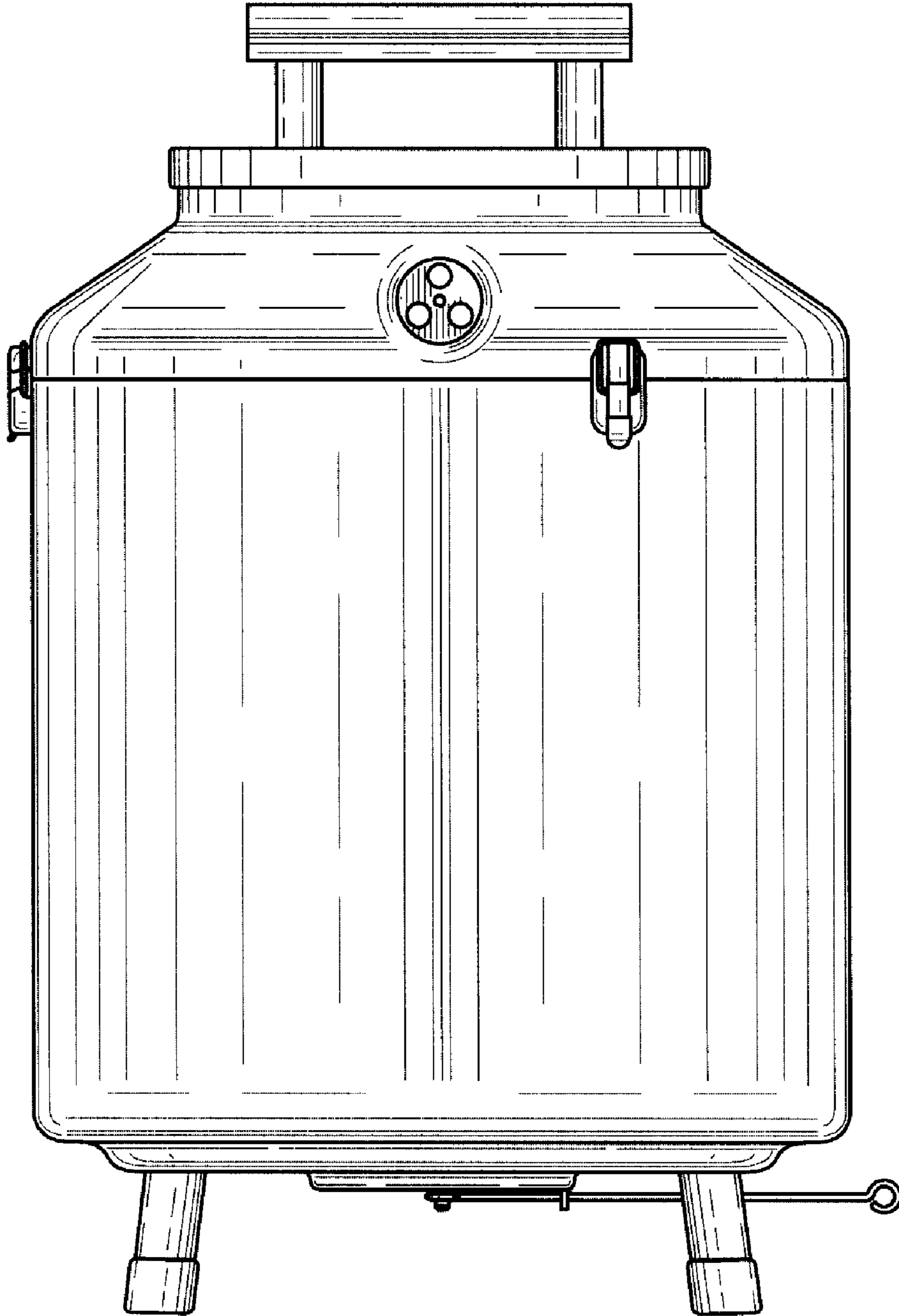


FIG. 9

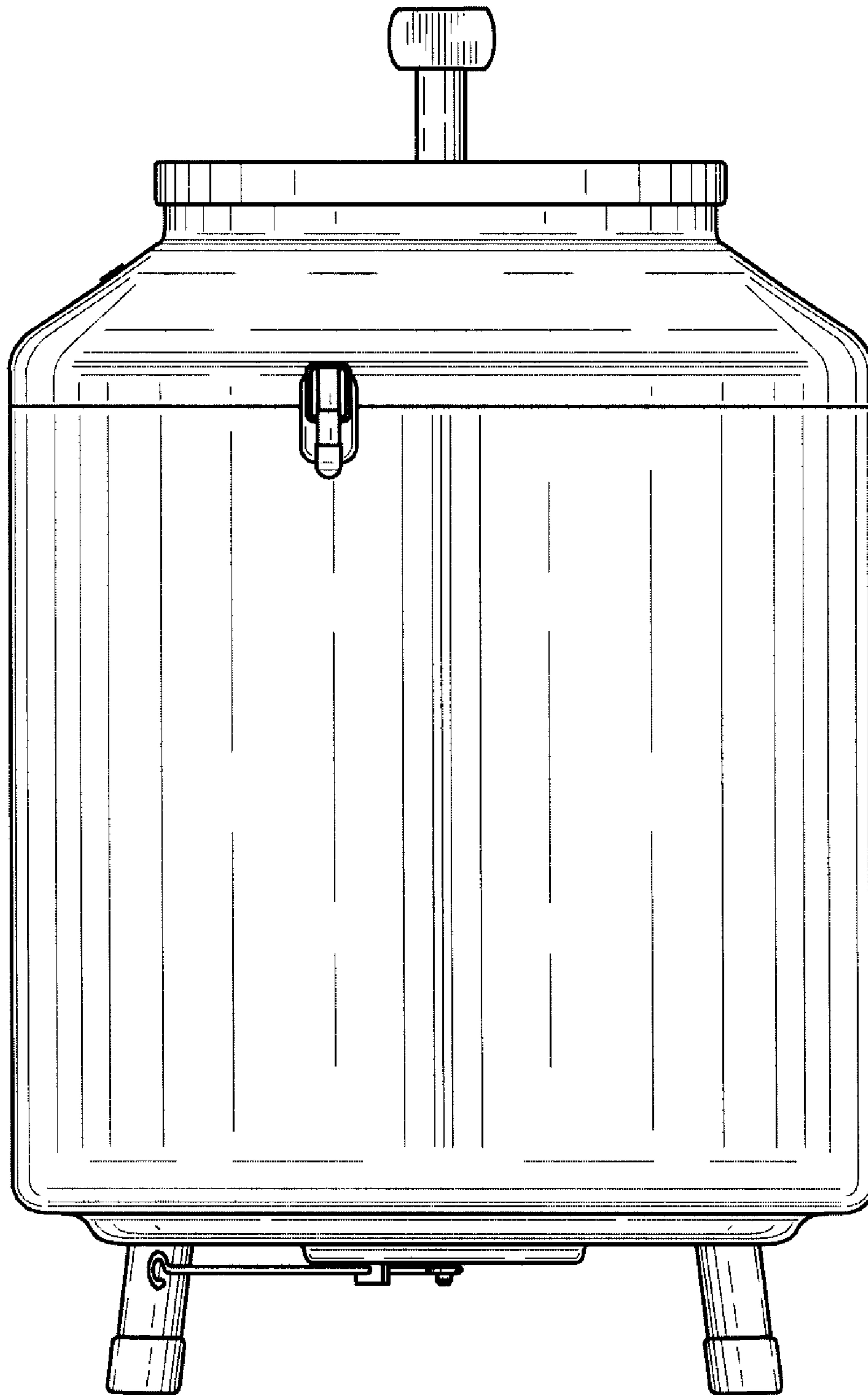


FIG. 10

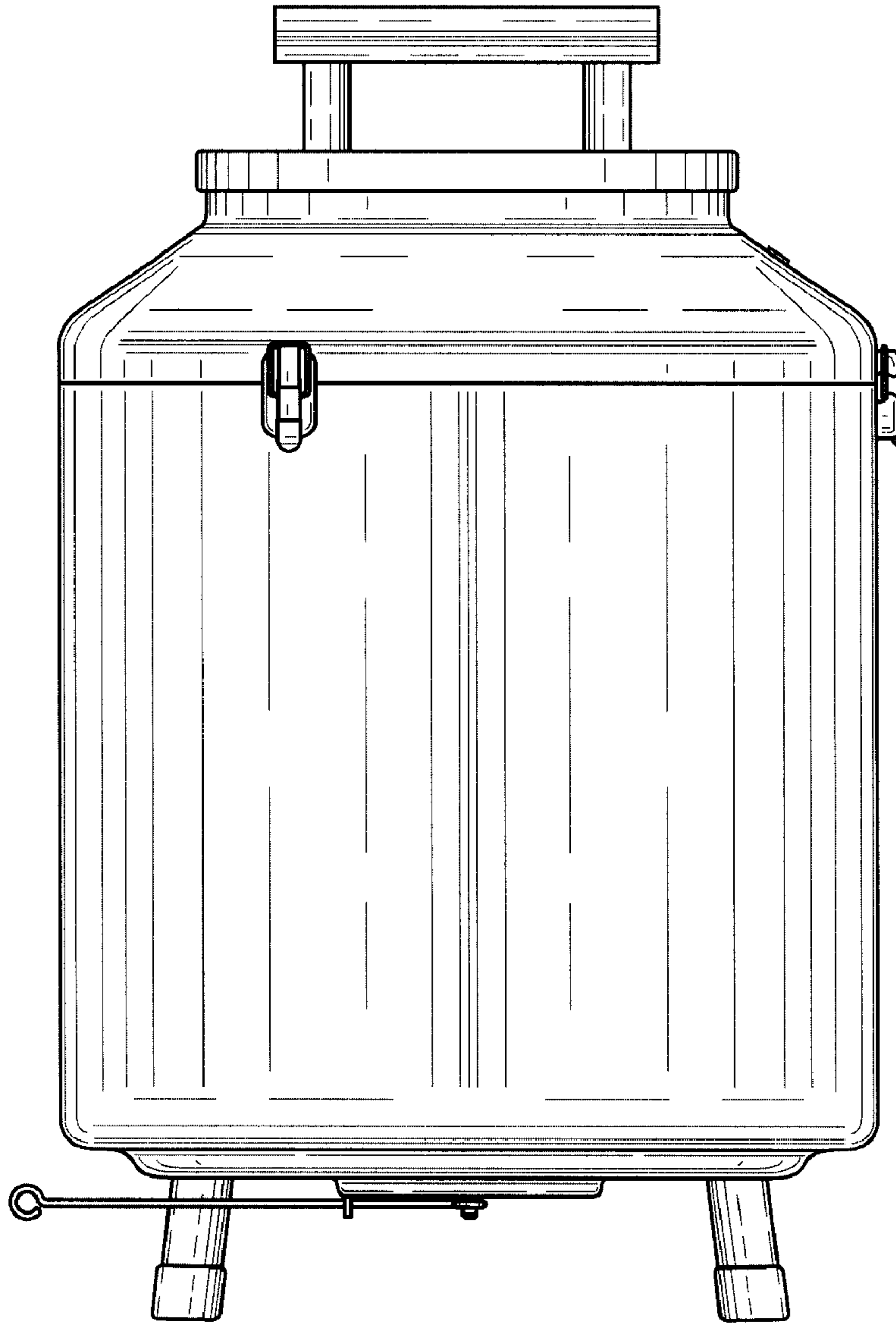


FIG. 11

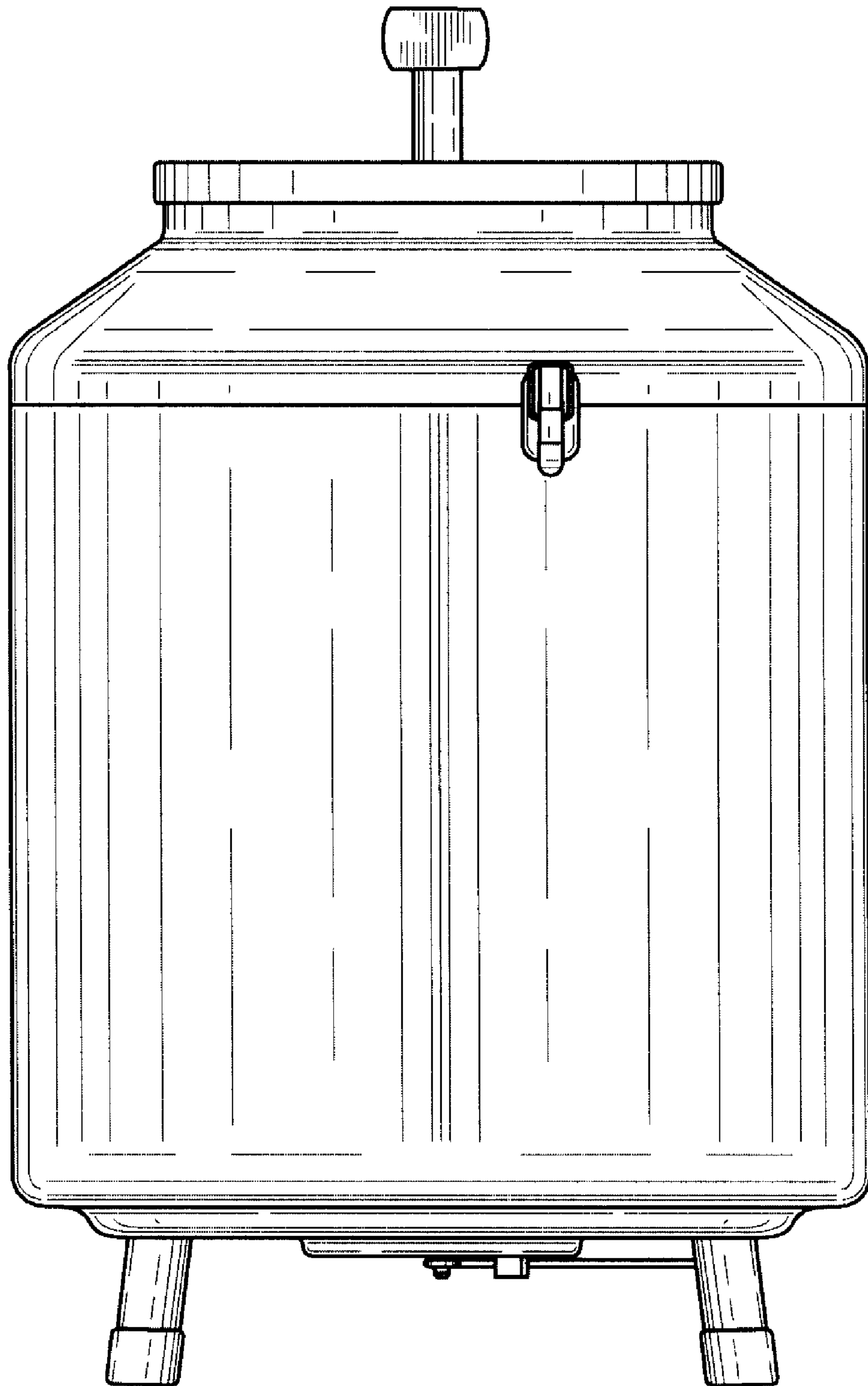


FIG. 12

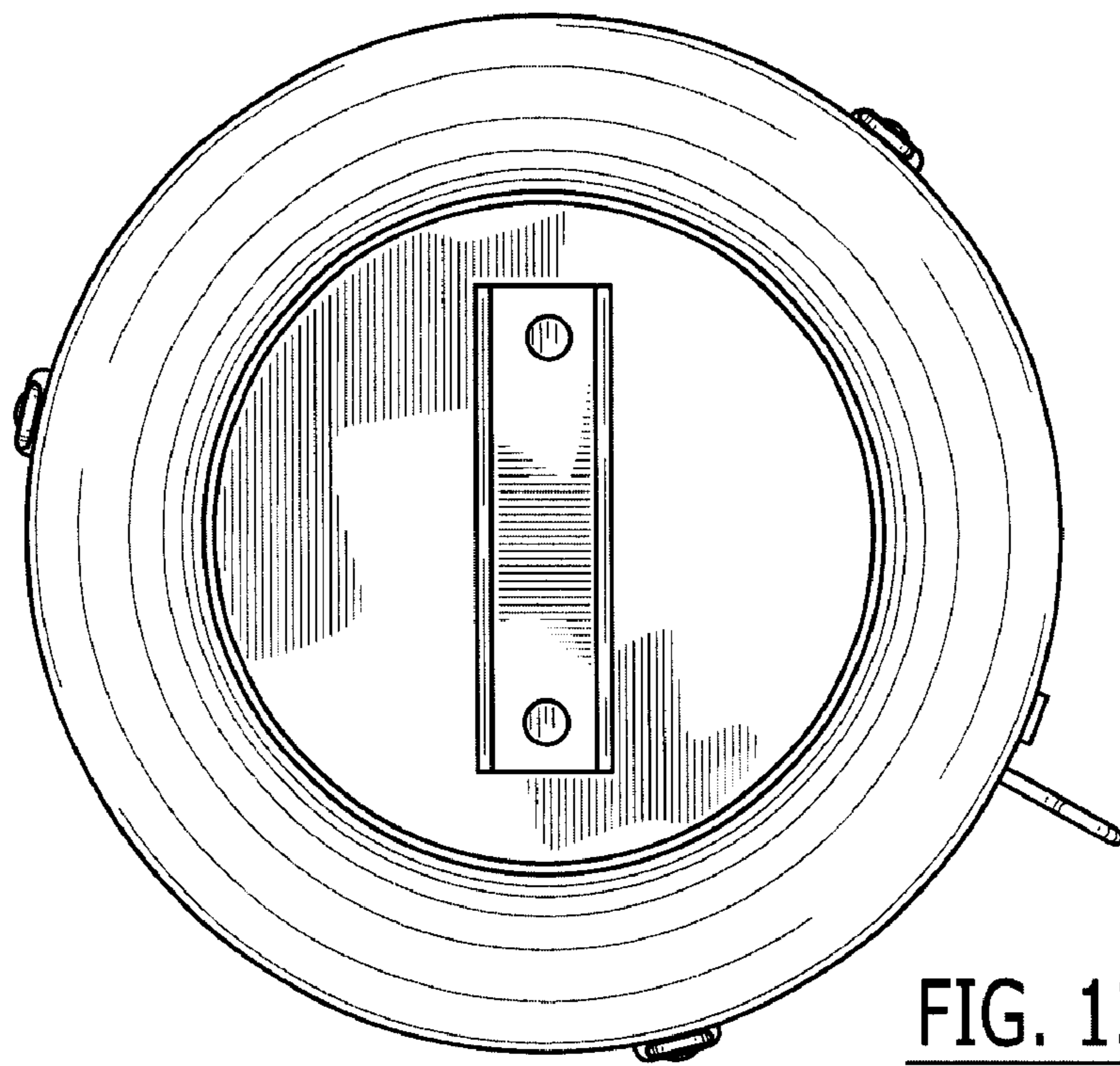


FIG. 13

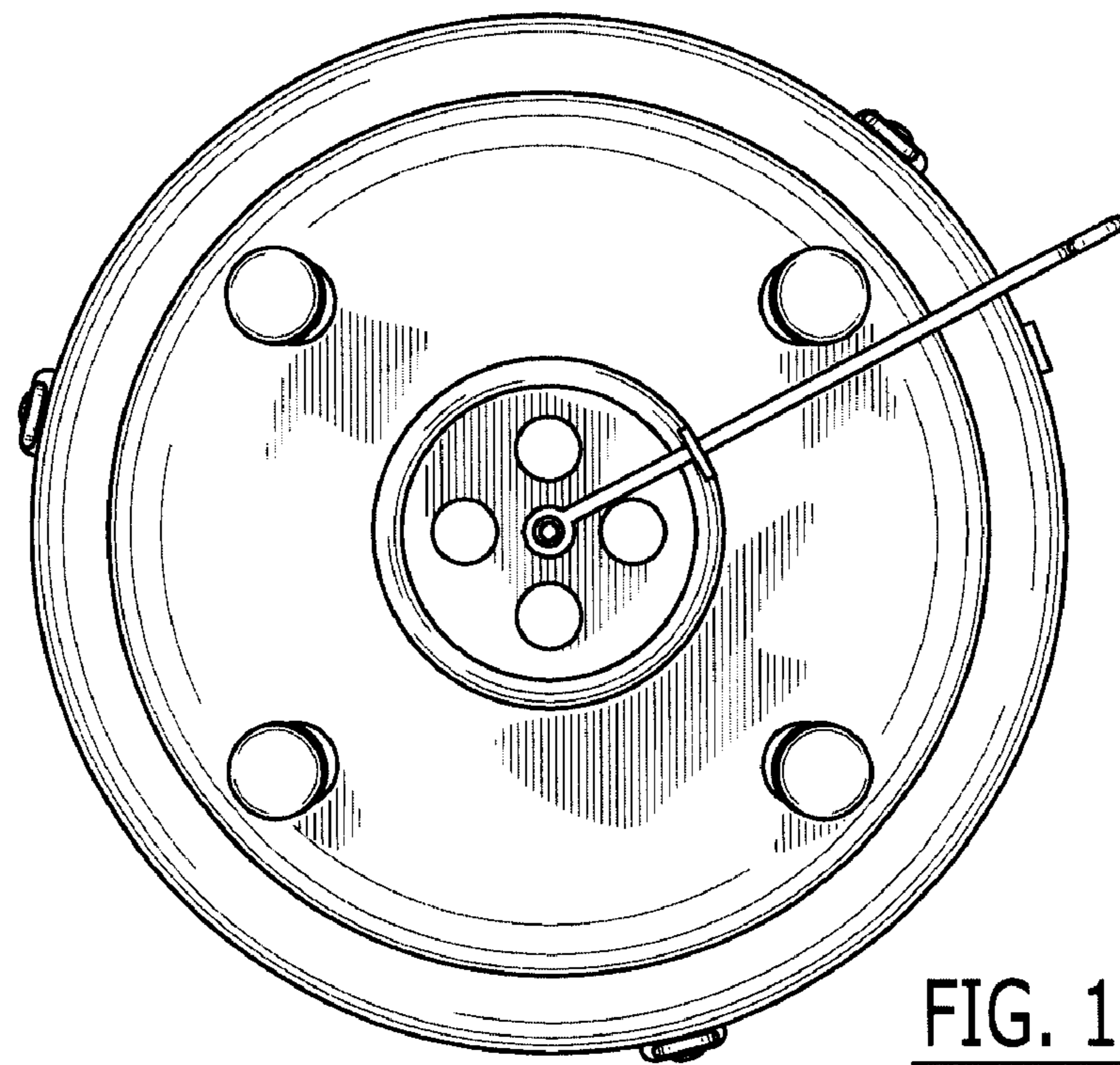


FIG. 14

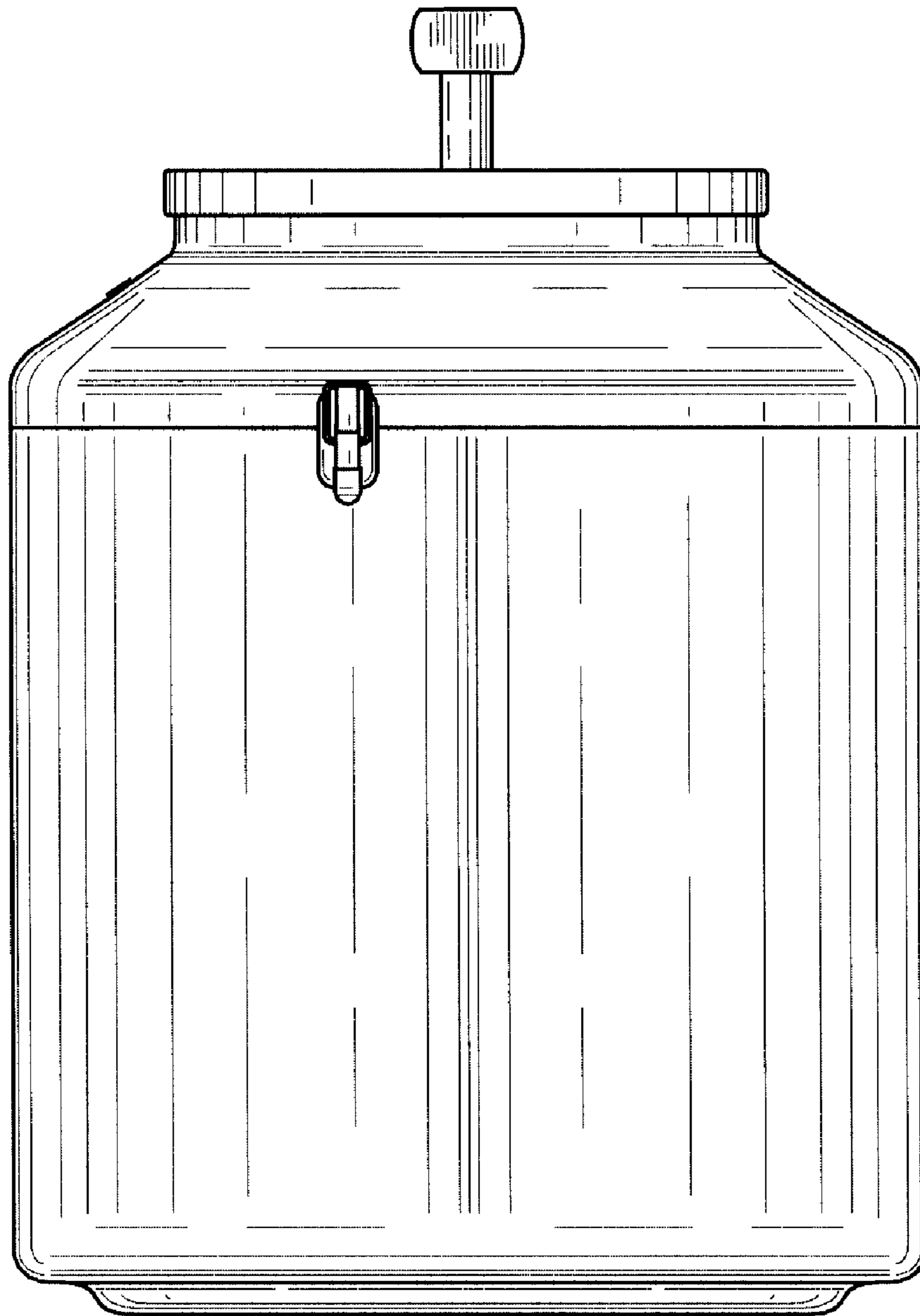


FIG. 15

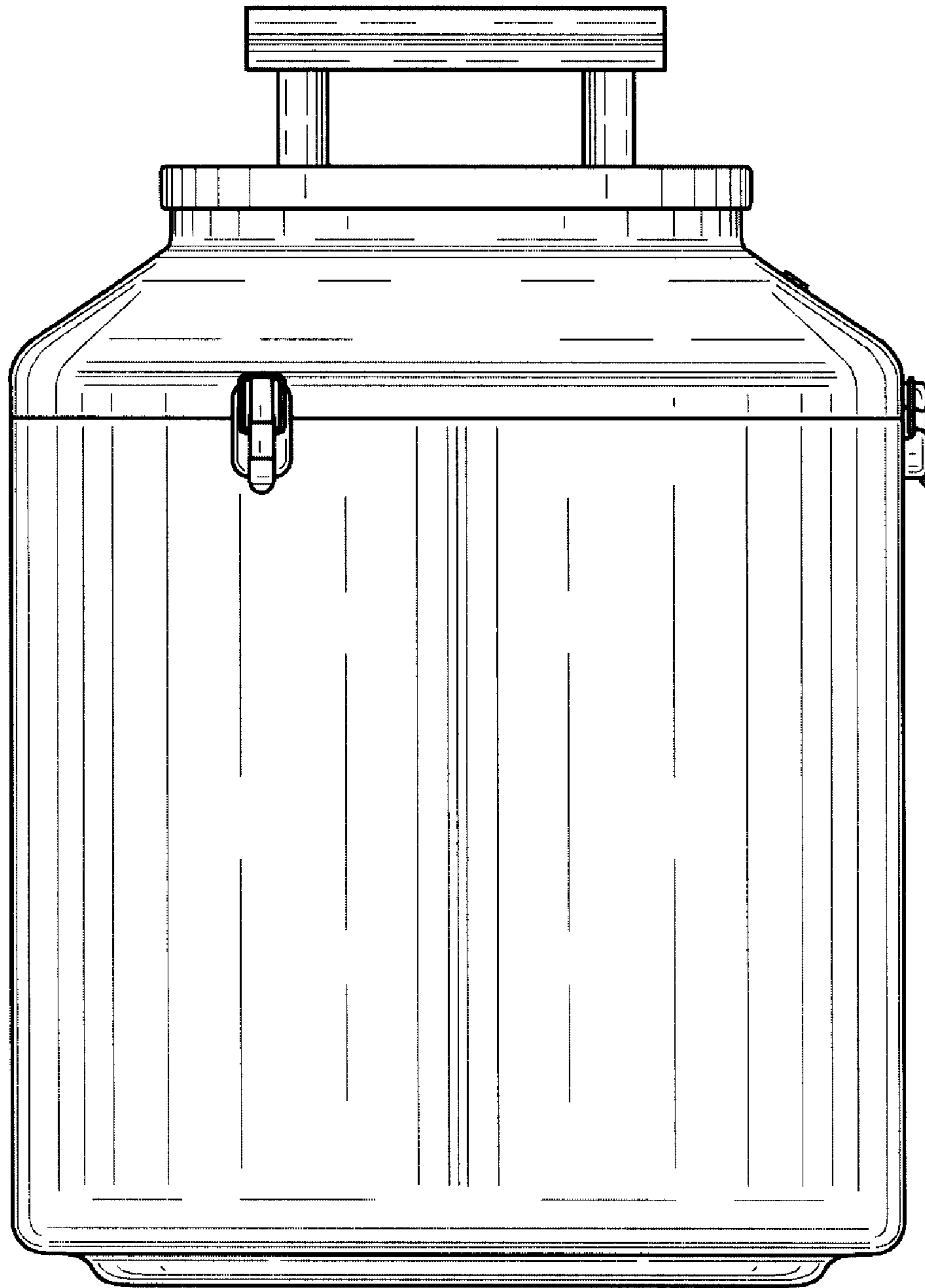


FIG. 16

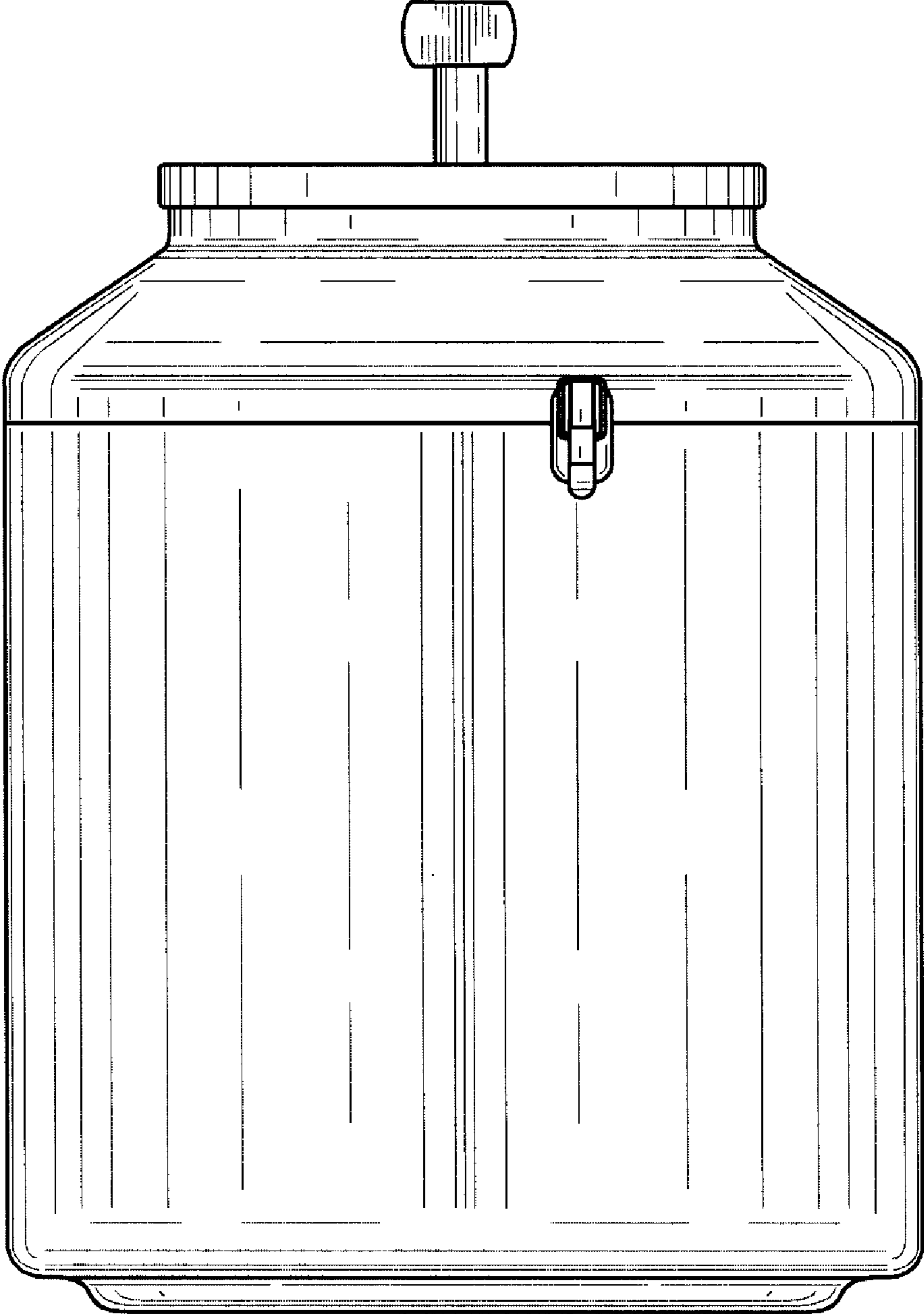


FIG. 17

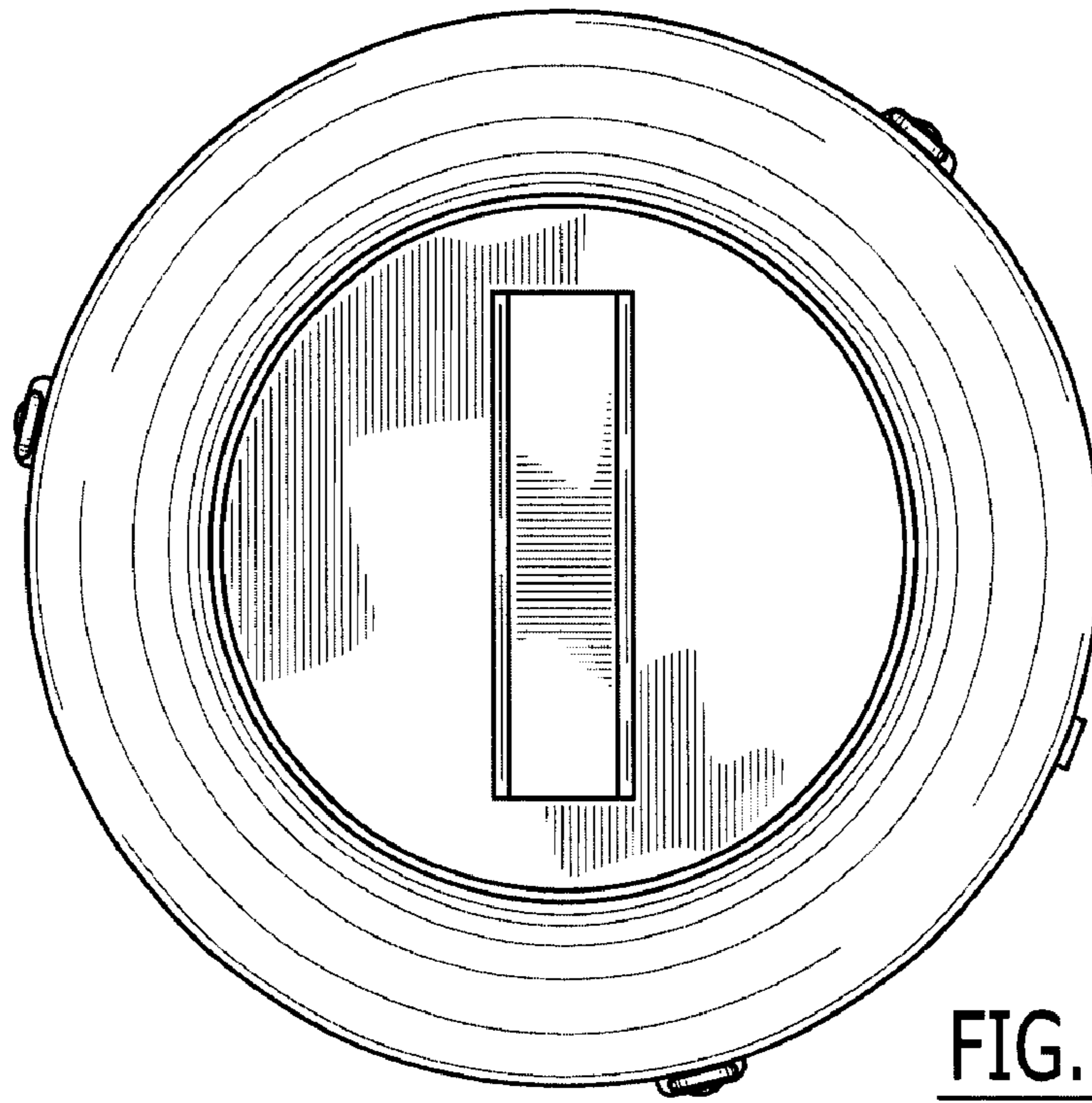


FIG. 18

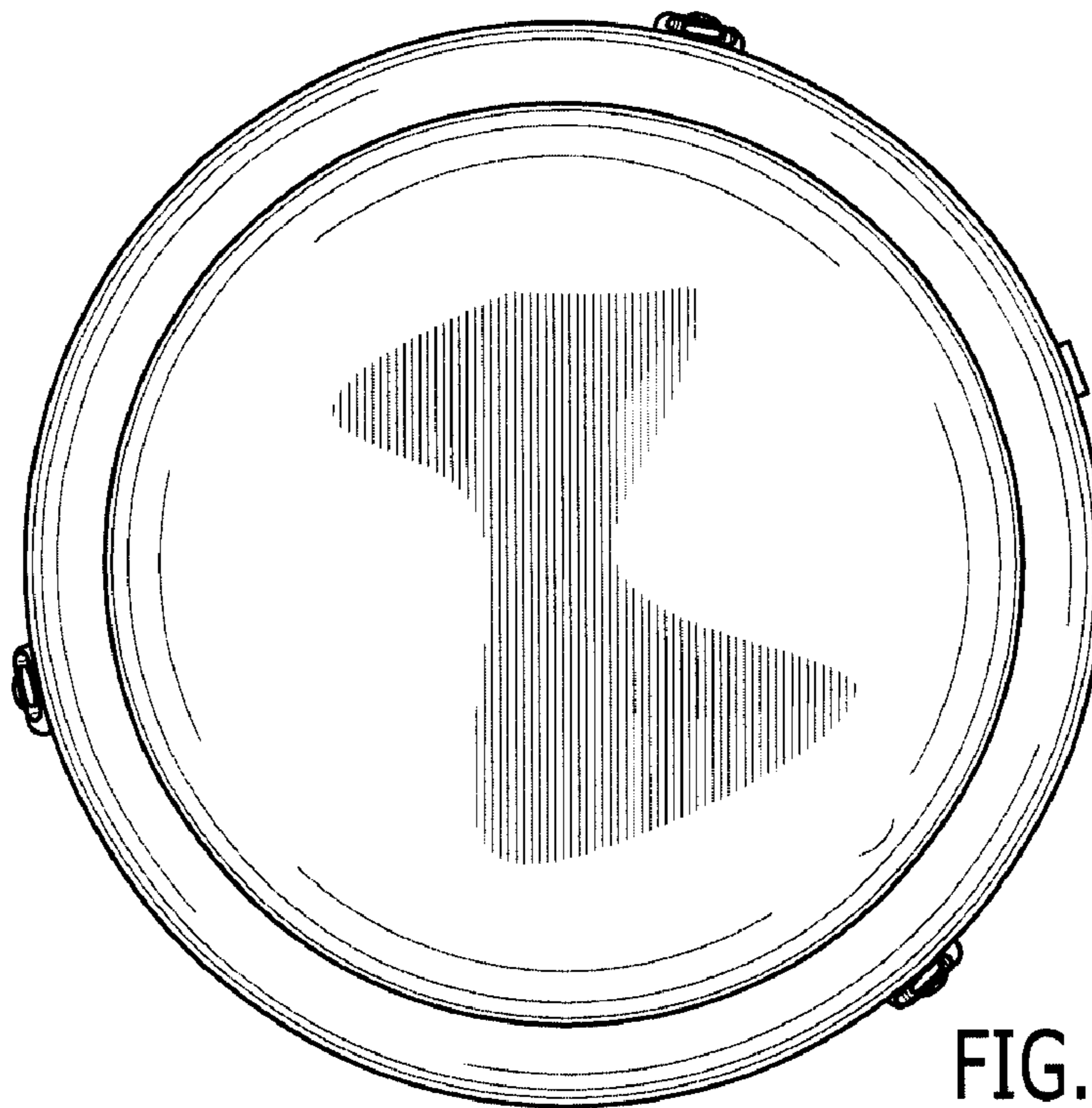


FIG. 19