



US00D524090S

(12) **United States Design Patent**
Wise

(10) **Patent No.:** **US D524,090 S**
(45) **Date of Patent:** **** Jul. 4, 2006**

(54) **BASKETBALL TOASTER**

D442,016 S * 5/2001 Park D7/347
D511,923 S * 11/2005 Wu D7/330

(76) Inventor: **Thomas J. Wise**, 71 Clement Dr.,
Horse Shoe, NC (US) 28742

FOREIGN PATENT DOCUMENTS

(**) Term: **14 Years**

GB 3000011 * 10/2001
GB 3021550 * 5/2005

(21) Appl. No.: **29/237,099**

* cited by examiner

(22) Filed: **Aug. 29, 2005**

Primary Examiner—Caron D. Veynar
Assistant Examiner—Ricky Pham

(51) **LOC (8) Cl.** **07-02**

(52) **U.S. Cl.** **D7/330**

(58) **Field of Classification Search** D7/323,
D7/328–333, 385, 390, 340, 341, 346, 365,
D7/367, 402, 405, 406, 407, 411; D13/158,
D13/162, 162.1, 163; D21/525; 99/331, 332,
99/357, 375, 385; 219/214, 388, 405, 443.1,
219/450.1, 492

(57) **CLAIM**

See application file for complete search history.

The ornamental design for a basketball toaster, as shown and described.

DESCRIPTION

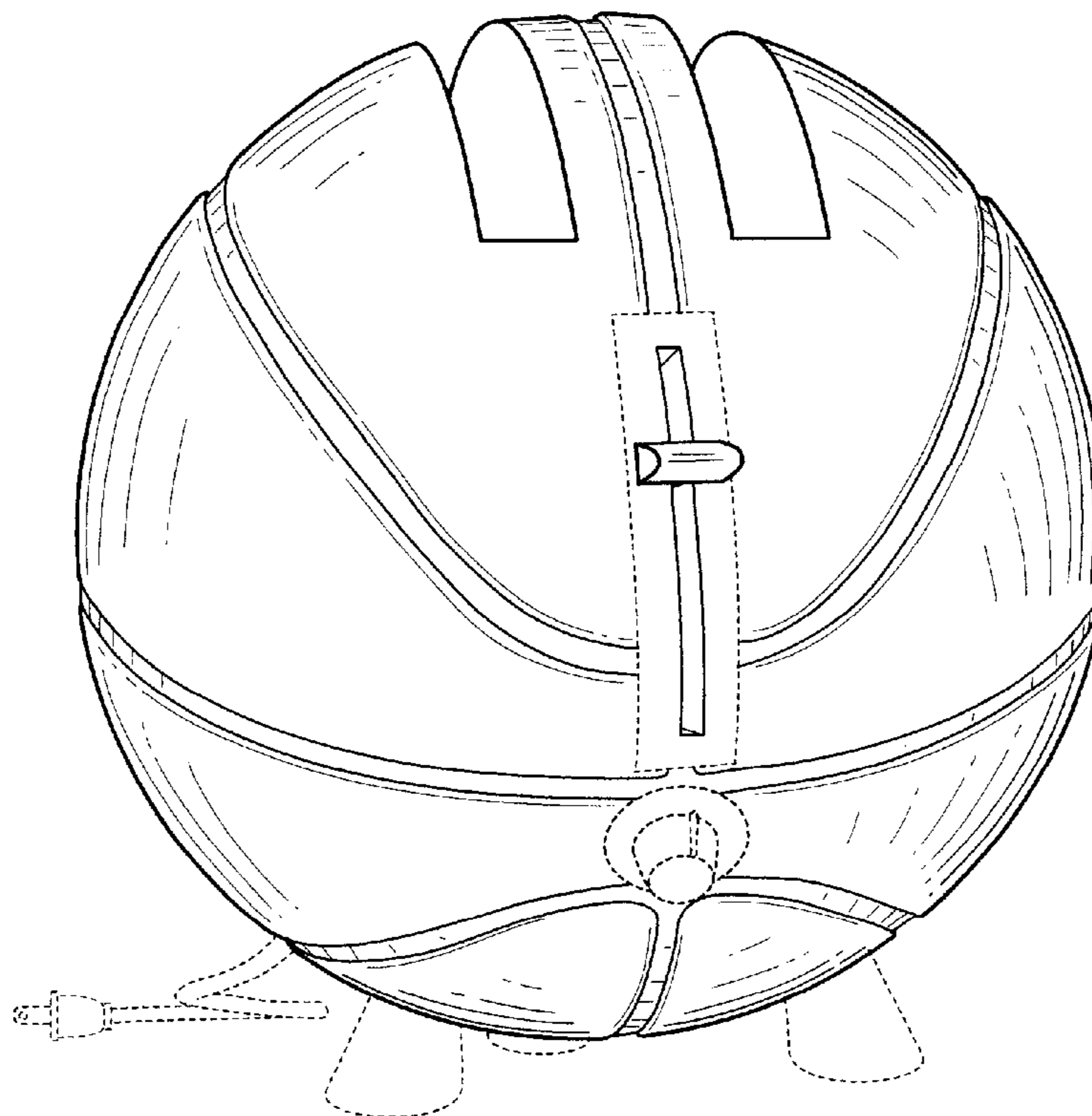
(56) **References Cited**

U.S. PATENT DOCUMENTS

1,516,054 A * 11/1924 Mottlau 99/392
D147,734 S * 10/1947 Musser D7/330
D155,128 S * 9/1949 Cox D7/330
D244,341 S * 5/1977 Hanson et al. D7/330
D401,472 S * 11/1998 Gould D7/330
D413,040 S * 8/1999 Lawrence et al. D7/350.4
6,080,963 A * 6/2000 Cardillo et al. 219/388
D434,264 S * 11/2000 Mixides D7/330

FIG. 1. is a perspective view of a basketball toaster showing my new design;
FIG. 2 is a top plan view thereof;
FIG. 3 is a bottom plan view thereof;
FIG. 4 is a front elevational view thereof;
FIG. 5 is a rear elevational view thereof; and,
FIG. 6 is a right side elevational view thereof; the left side being a mirror image.
The broken lines within the views, including the power cord, darkness dial, and “feet” are for illustrative purposes only and form no part of the claimed design.

1 Claim, 4 Drawing Sheets



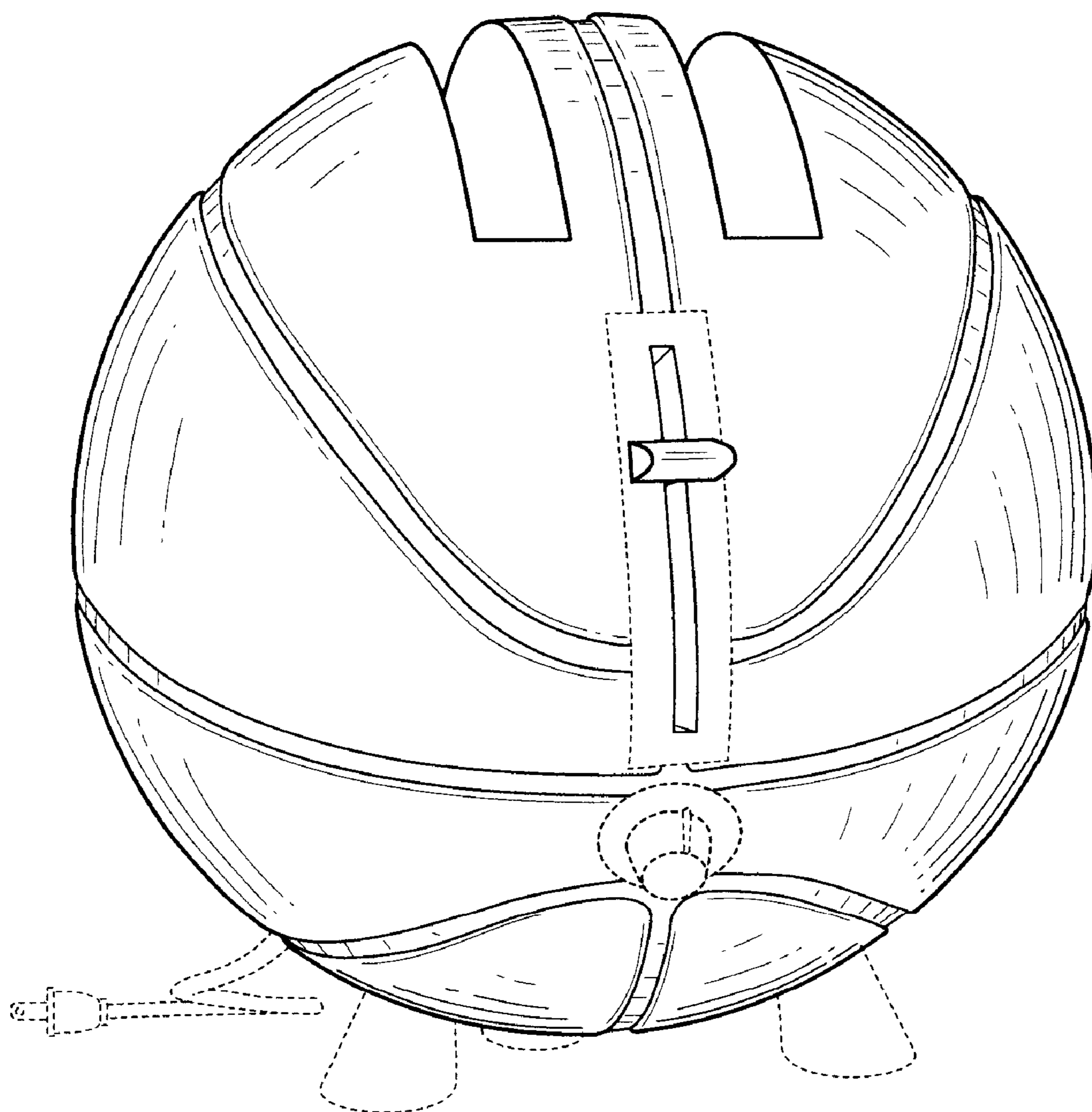


FIG. 1

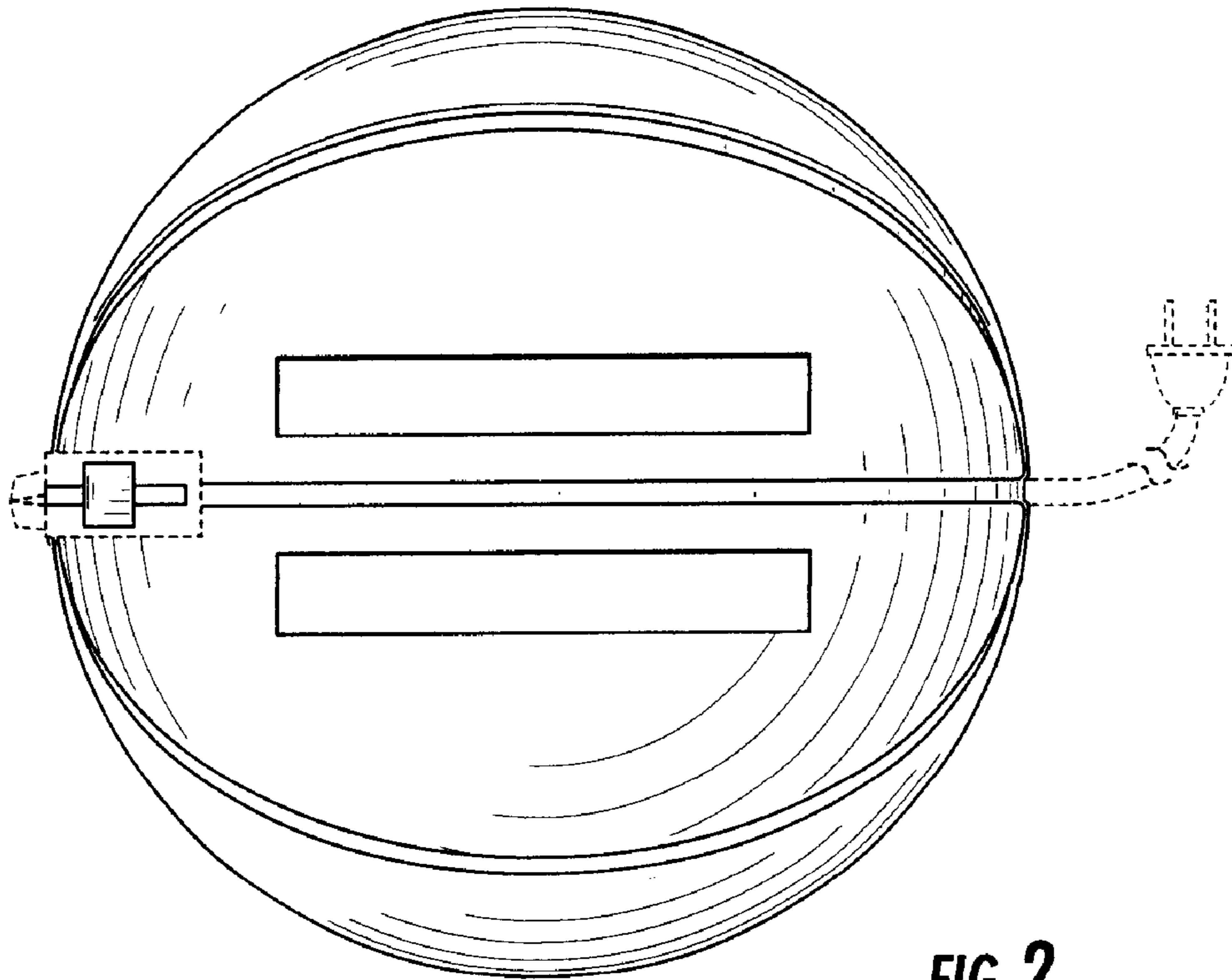


FIG. 2

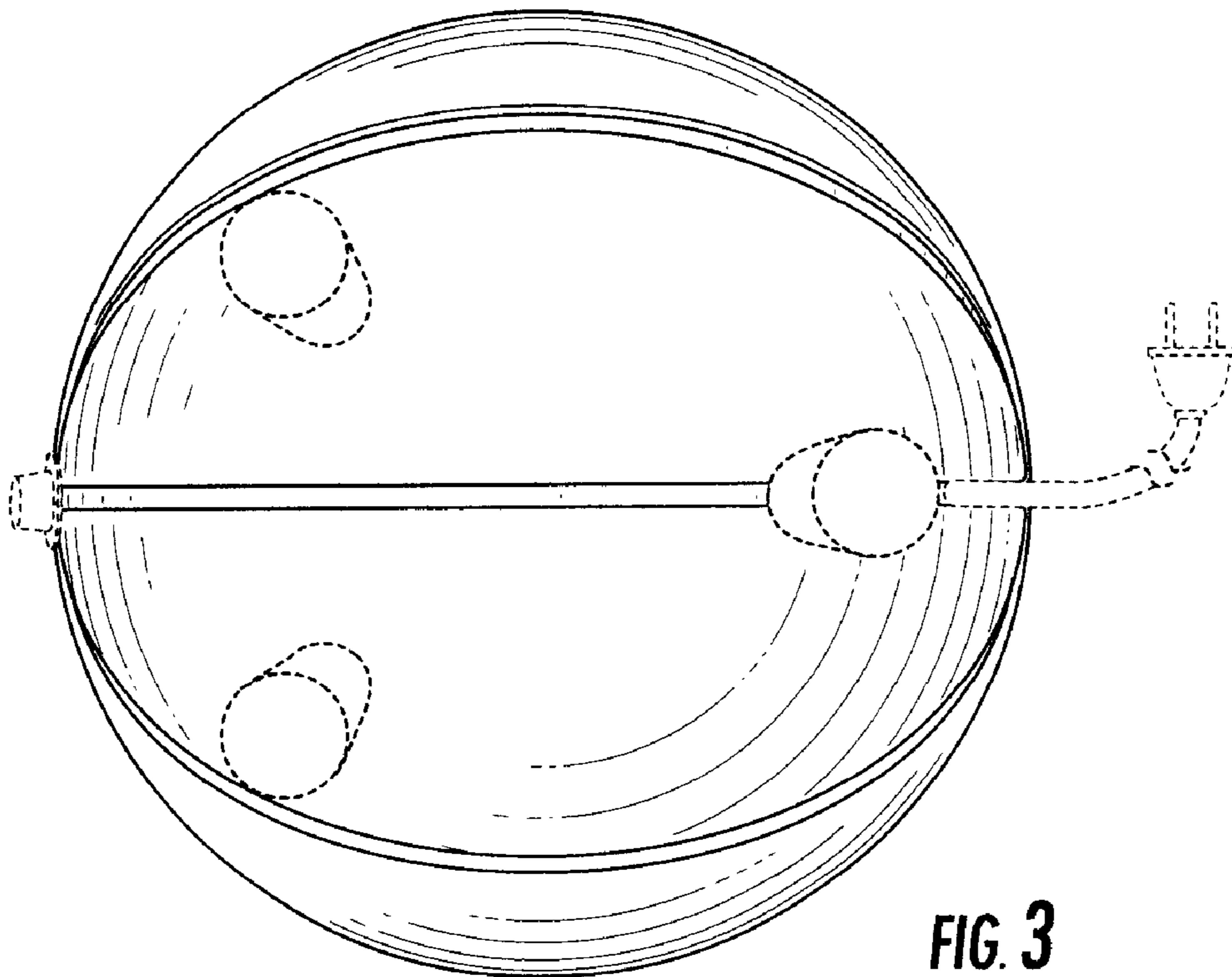


FIG. 3

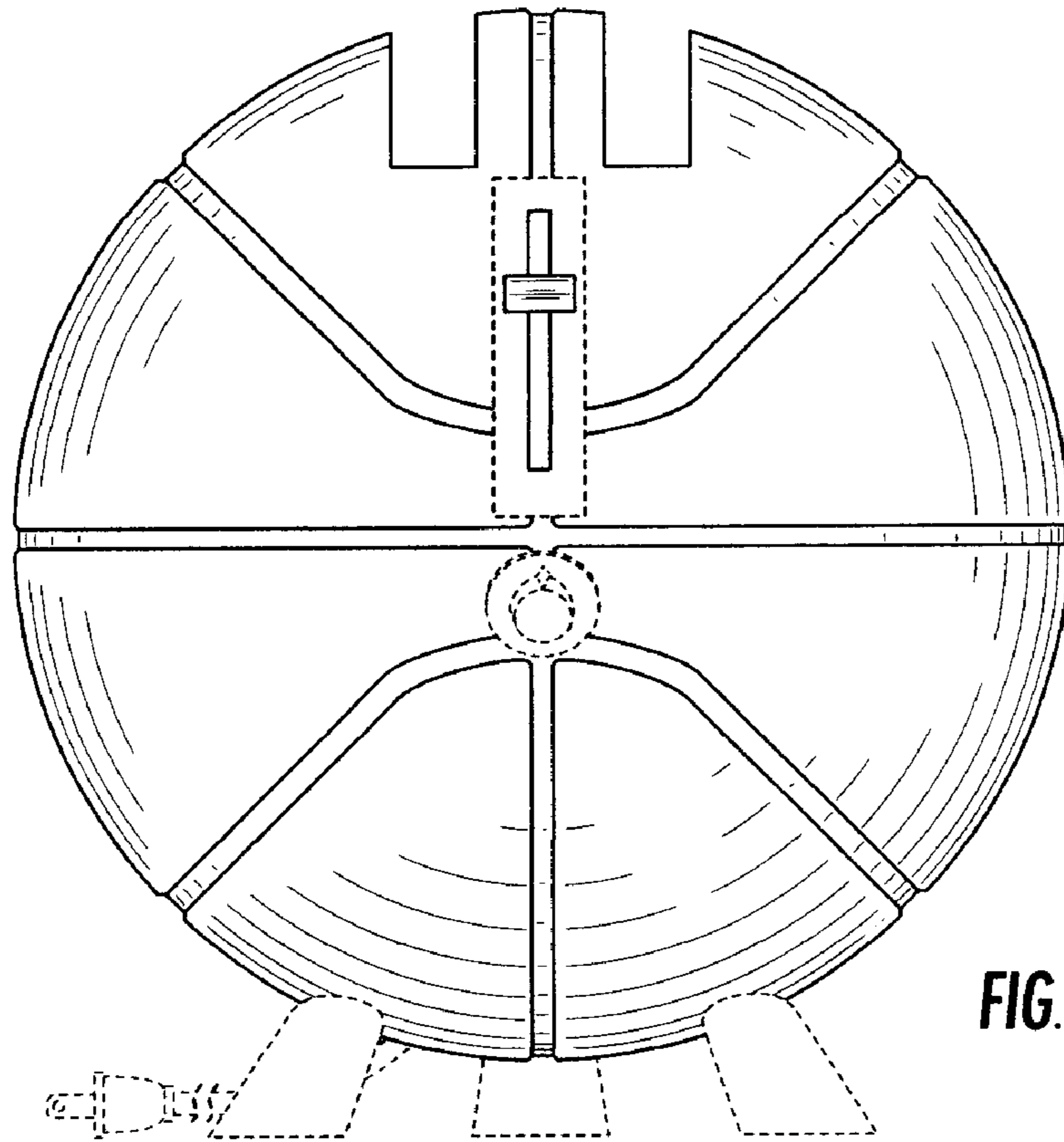


FIG. 4

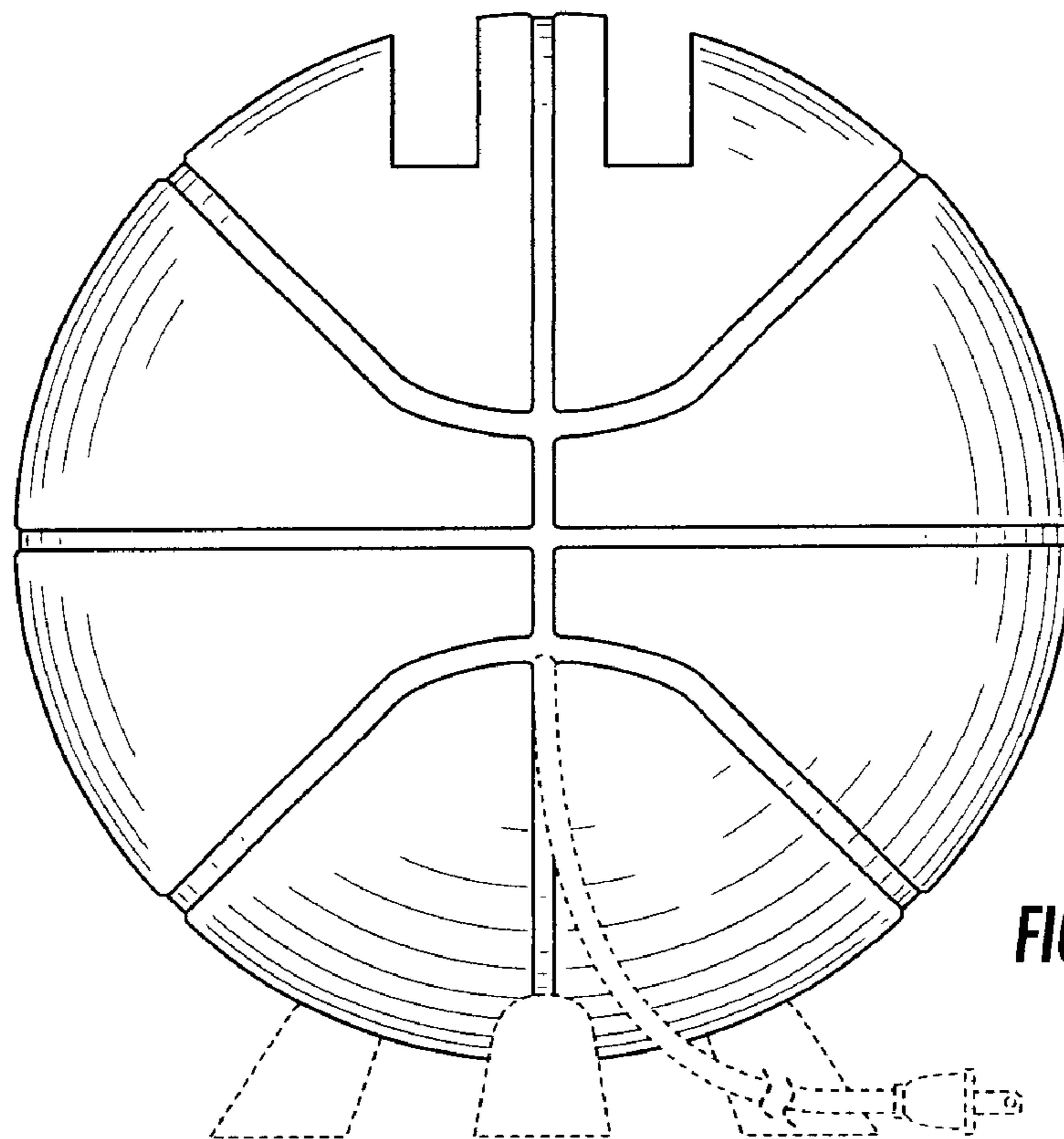


FIG. 5

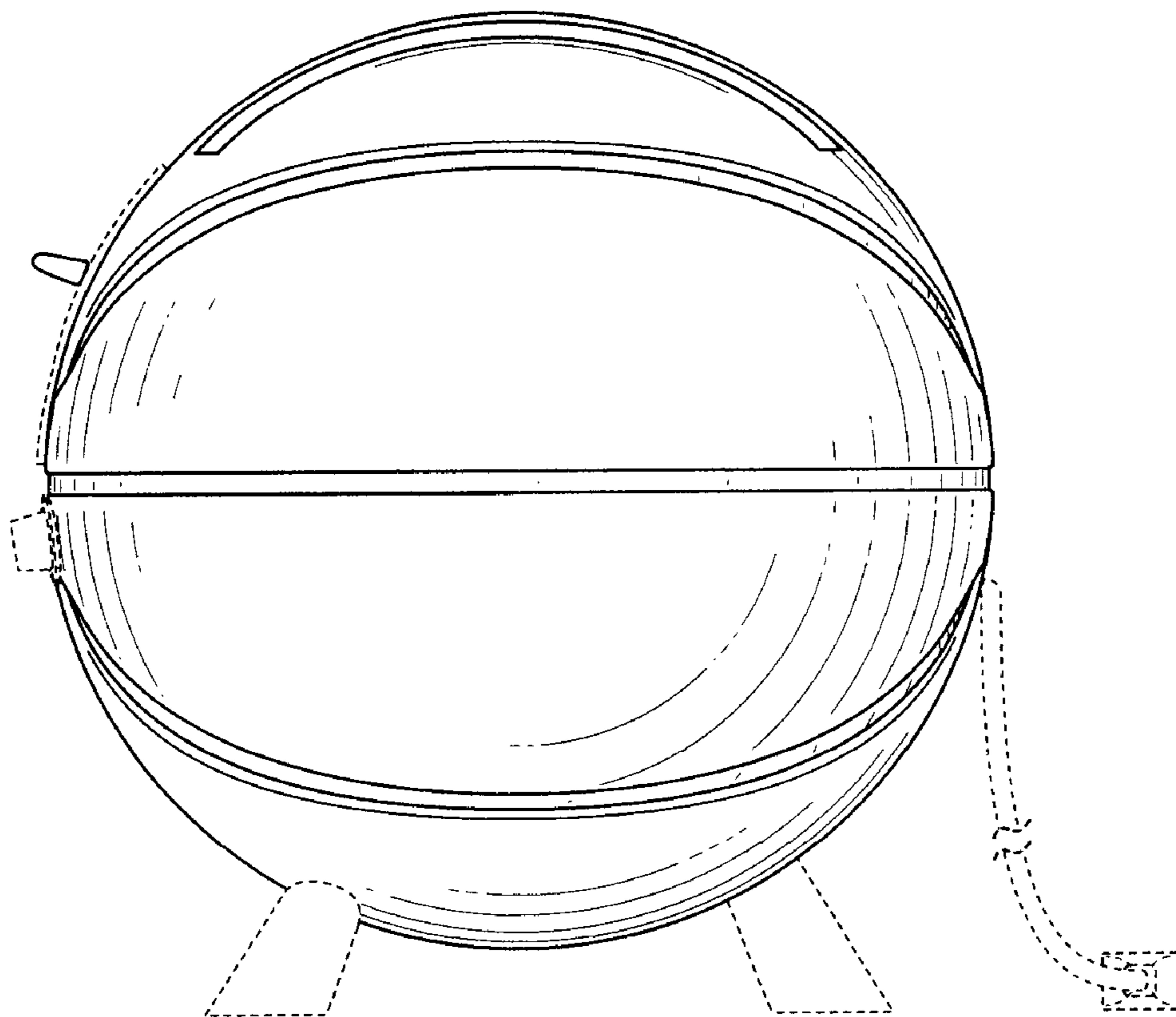


FIG. 6