



US00D524085S

(12) **United States Design Patent**
Miller et al.

(10) **Patent No.:** **US D524,085 S**

(45) **Date of Patent:** **** Jul. 4, 2006**

(54) **HEADRAIL WITH FABRIC COVER FOR COVERINGS FOR ARCHITECTURAL OPENINGS**

(75) Inventors: **James L. Miller**, Henderson, CO (US);
Kent A. Smith, Broomfield, CO (US);
Terrence M. Drew, Superior, CO (US)

(73) Assignee: **Hunter Douglas Inc.**, Upper Saddle River, NJ (US)

(**) Term: **14 Years**

(21) Appl. No.: **29/225,526**

(22) Filed: **Mar. 15, 2005**

(51) **LOC (8) Cl.** **06-10**

(52) **U.S. Cl.** **D6/580**

(58) **Field of Classification Search** D6/575,
D6/577, 580; D8/376, 377; D25/119-123;
160/34, 35, 349.1, 349.2; 52/782.2

See application file for complete search history.

(56) **References Cited**

U.S. PATENT DOCUMENTS

D68,971 S	*	12/1925	Kirsch	D8/376
D68,972 S	*	12/1925	Kirsch	D8/376
D324,108 S	*	2/1992	Colson	D25/119
D368,551 S	*	4/1996	Richards	D27/162
D379,524 S	*	5/1997	Leonelli	D25/119
D439,461 S	*	3/2001	Brunell	D6/580
D440,100 S	*	4/2001	Horsten	D6/580
D440,444 S	*	4/2001	Sonnenberg et al.	D6/580

D443,788 S	*	6/2001	Horsten	D6/580
D455,336 S	*	4/2002	Anderson	D8/377
D472,456 S	*	4/2003	Snyder	D8/394
D488,945 S	*	4/2004	Bibby et al.	D6/580
D489,209 S	*	5/2004	Goldberg	D6/580
D490,167 S	*	5/2004	Eichner et al.	D25/119
D497,758 S	*	11/2004	Goldberg	D6/580
D502,037 S	*	2/2005	Nien	D6/580
D511,013 S	*	10/2005	Bullock, Jr.	D25/119

* cited by examiner

Primary Examiner—Holly Baynham

Assistant Examiner—Cynthia M. Chin

(74) *Attorney, Agent, or Firm*—Dorsey & Whitney LLP

(57) **CLAIM**

The ornamental design for a headrail with fabric cover for coverings for architectural openings, as shown and described.

DESCRIPTION

FIG. 1 is an isometric looking at the rear of the headrail.

FIG. 2 is an isometric looking at the front of the headrail.

FIG. 3 is a top plan view.

FIG. 4 is a left side elevation of the headrail shown in FIG. 2.

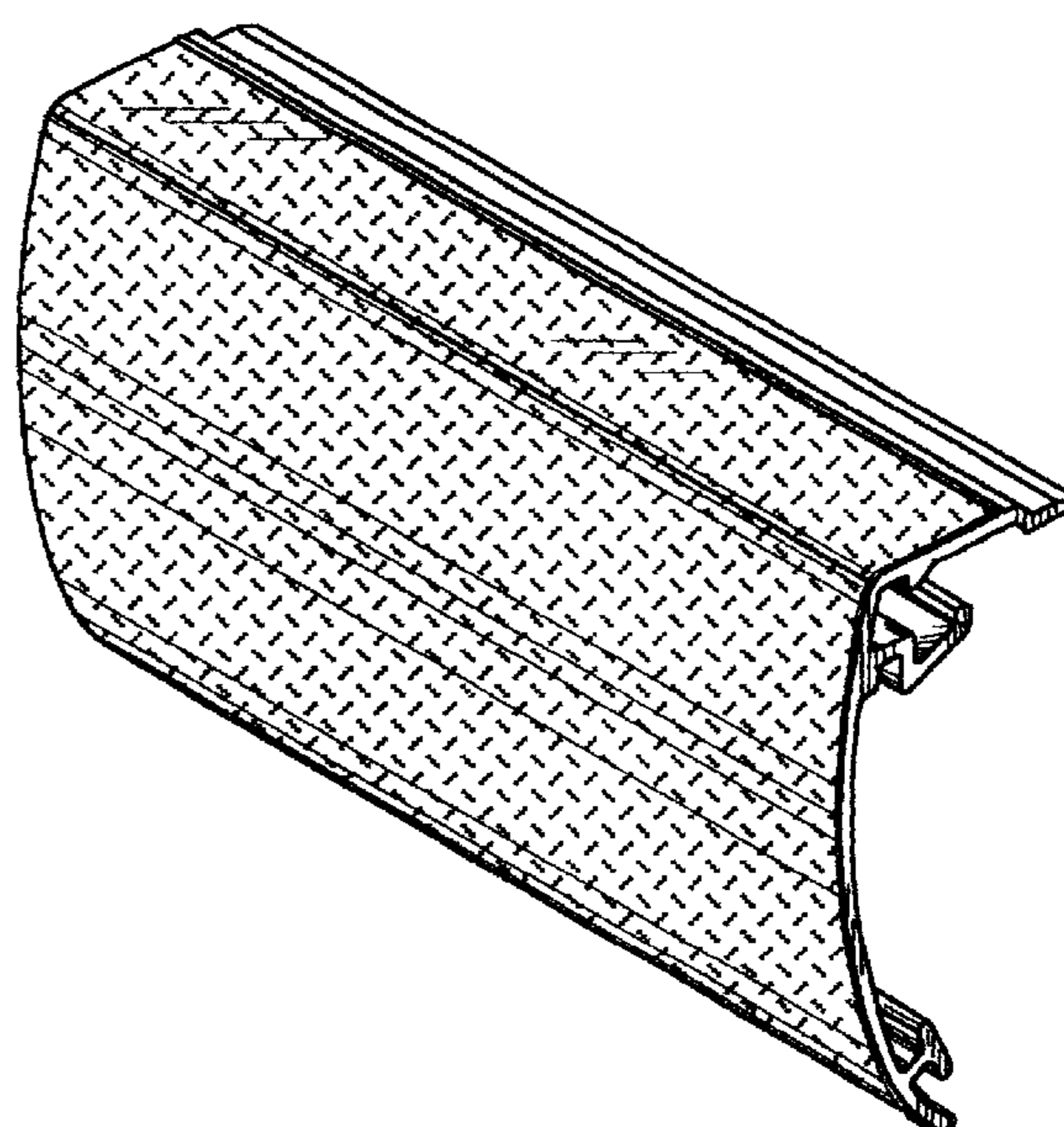
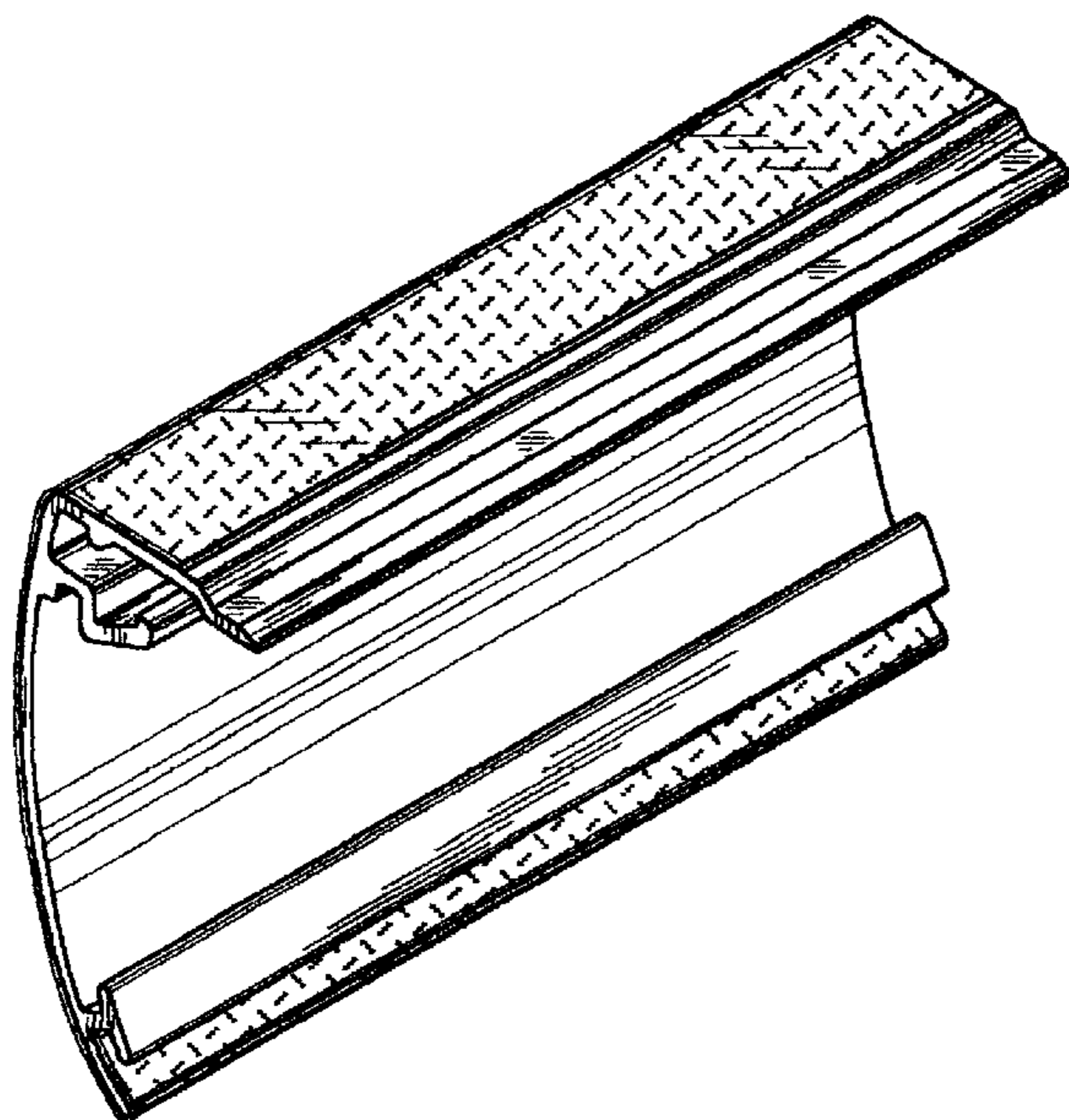
FIG. 5 is a front elevation.

FIG. 6 is a right side elevation of the headrail shown in FIG. 2.

FIG. 7 is a rear elevation; and,

FIG. 8 is a bottom plan view.

1 Claim, 3 Drawing Sheets



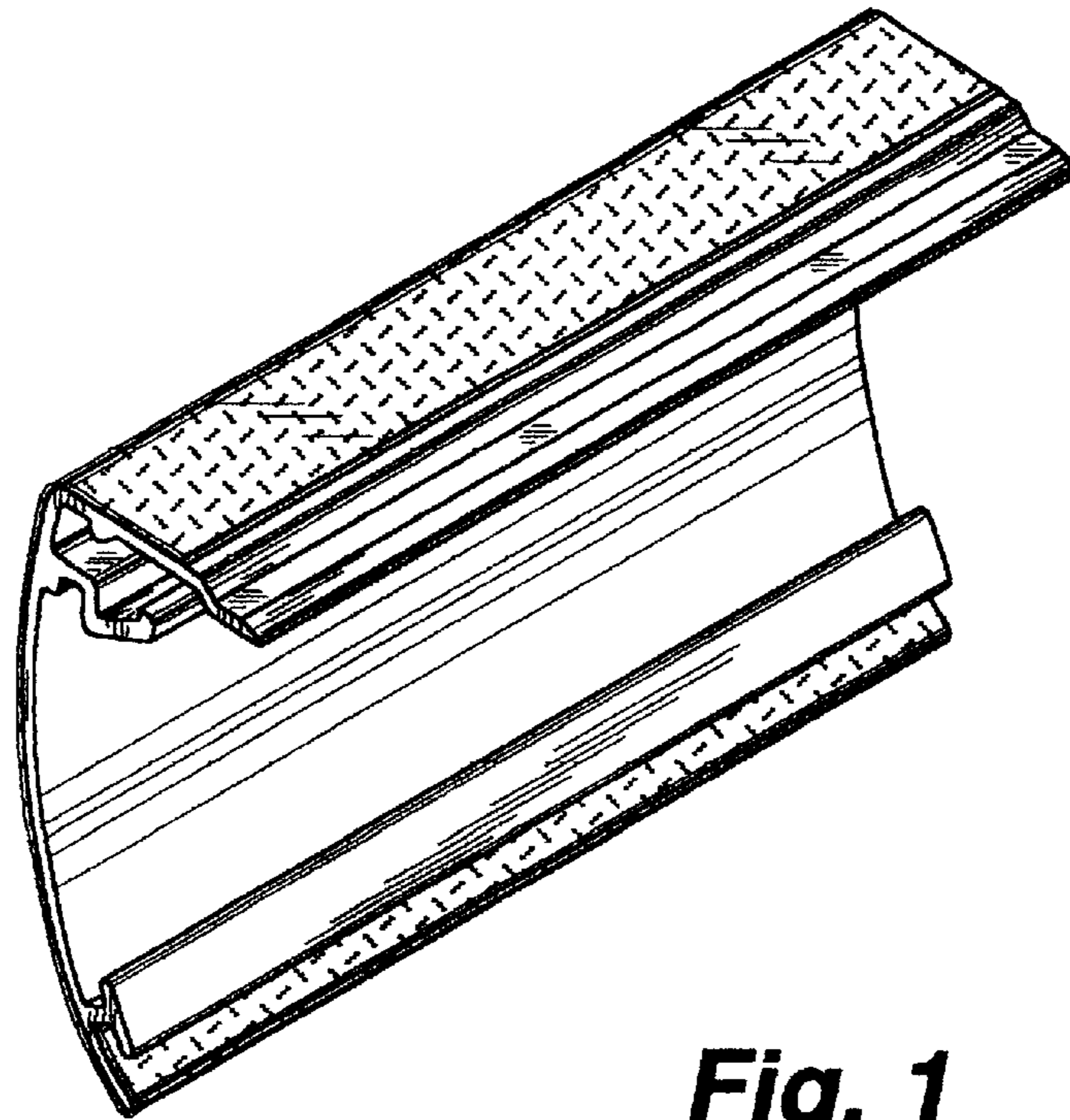


Fig. 1

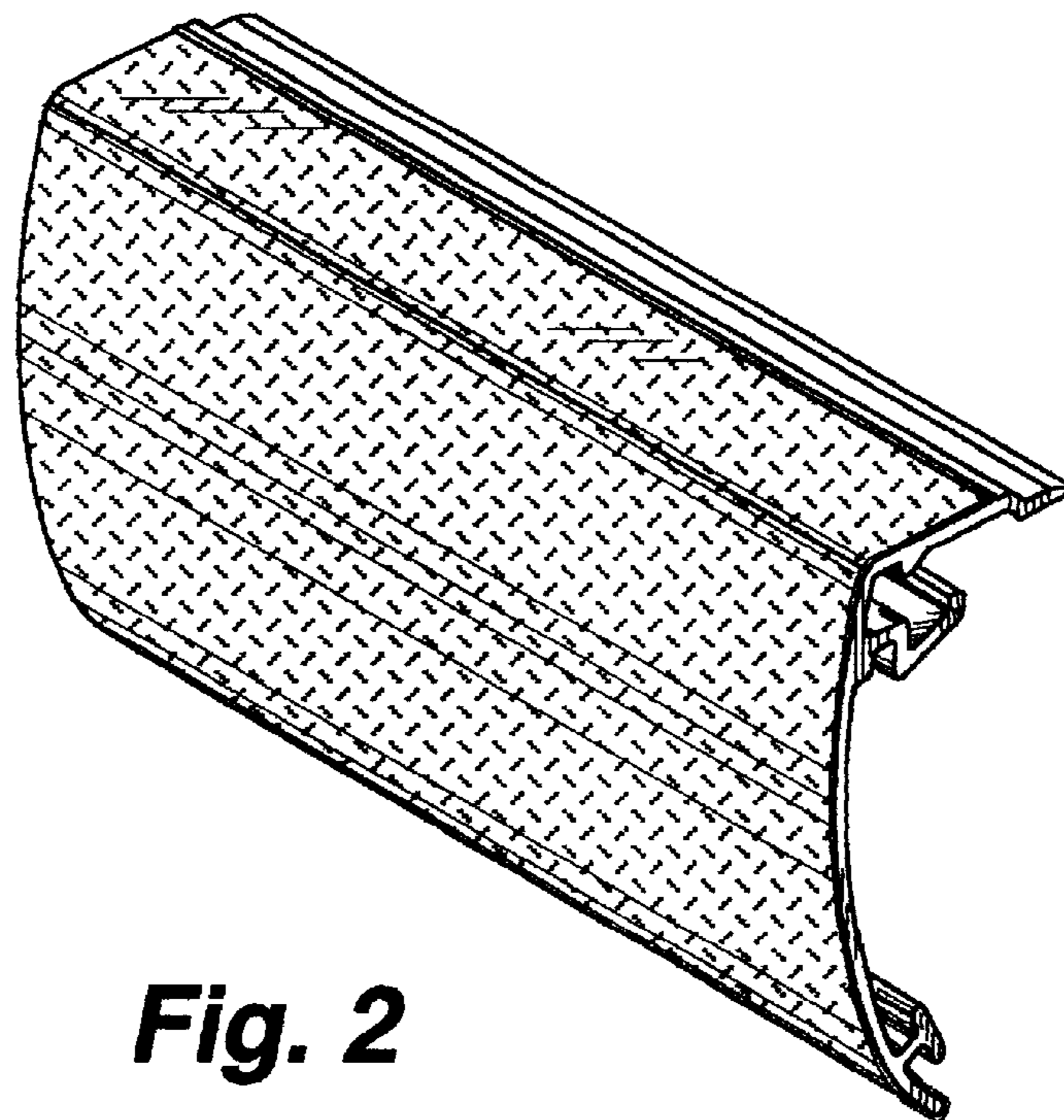


Fig. 2

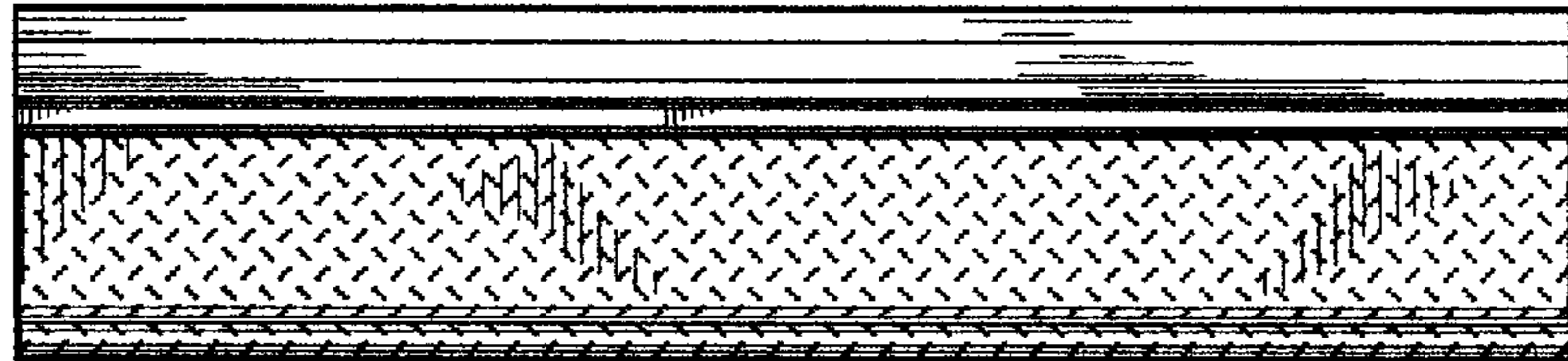


Fig. 3



Fig. 4

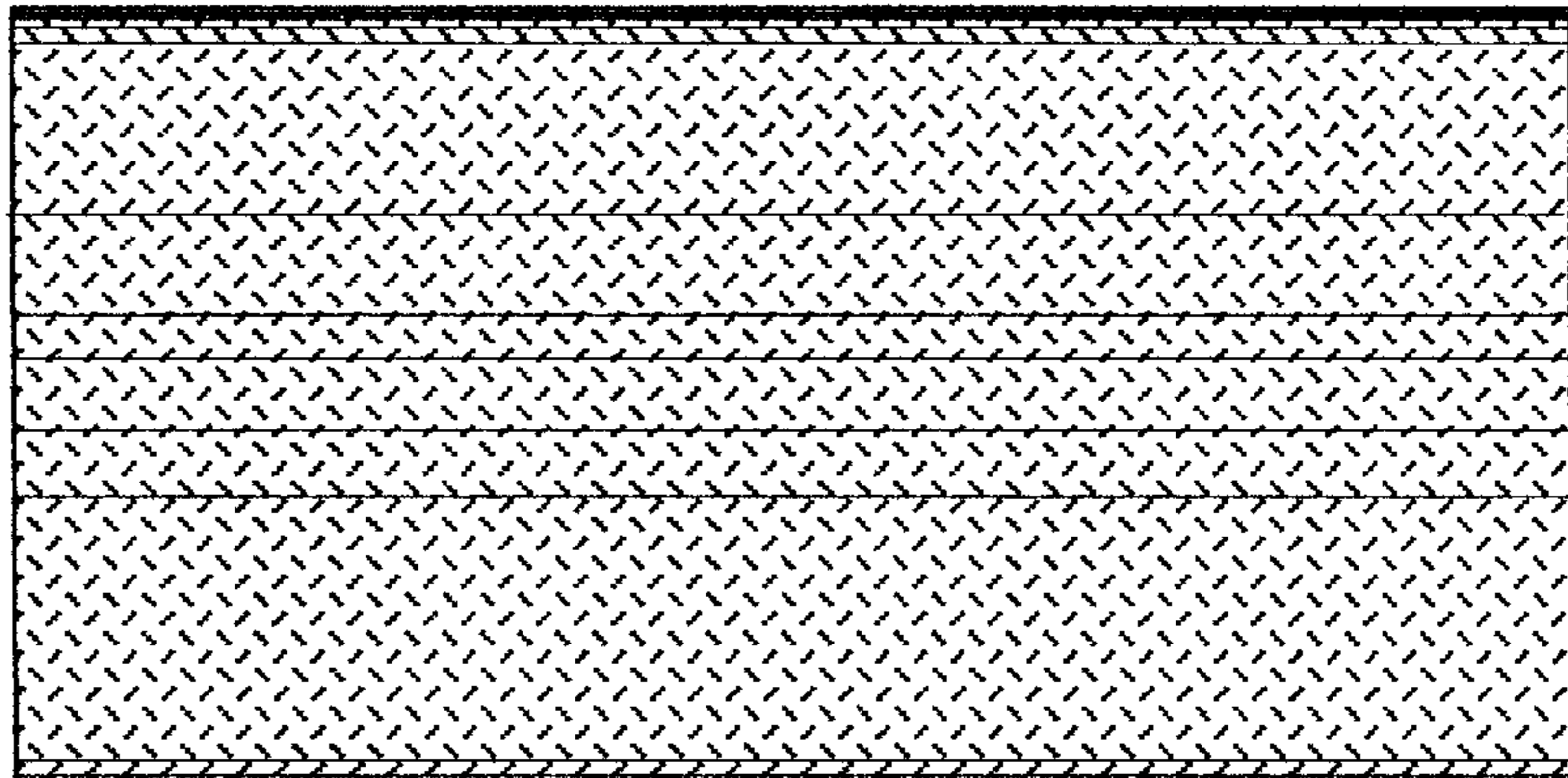


Fig. 5



Fig. 6

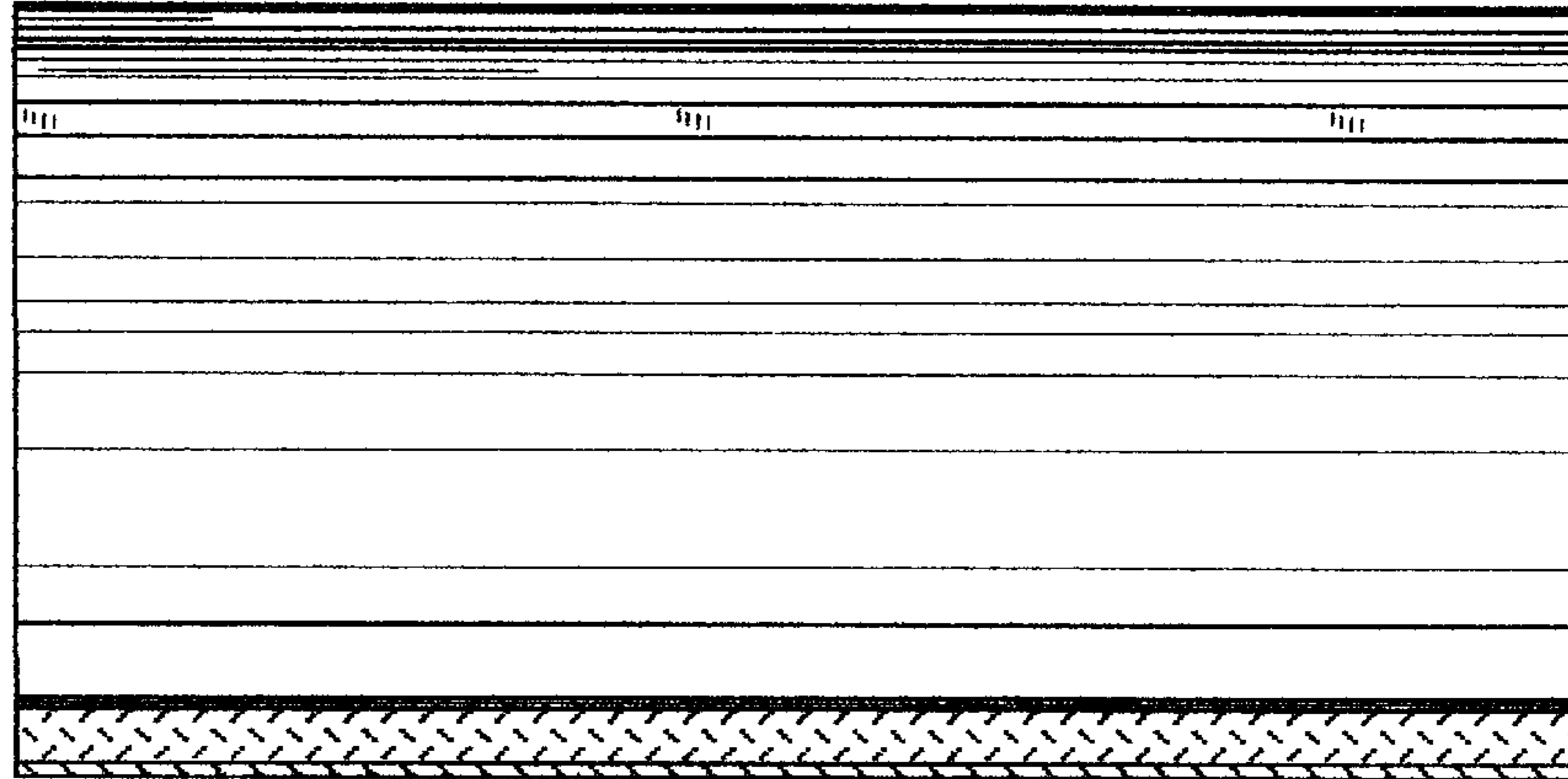


Fig. 7

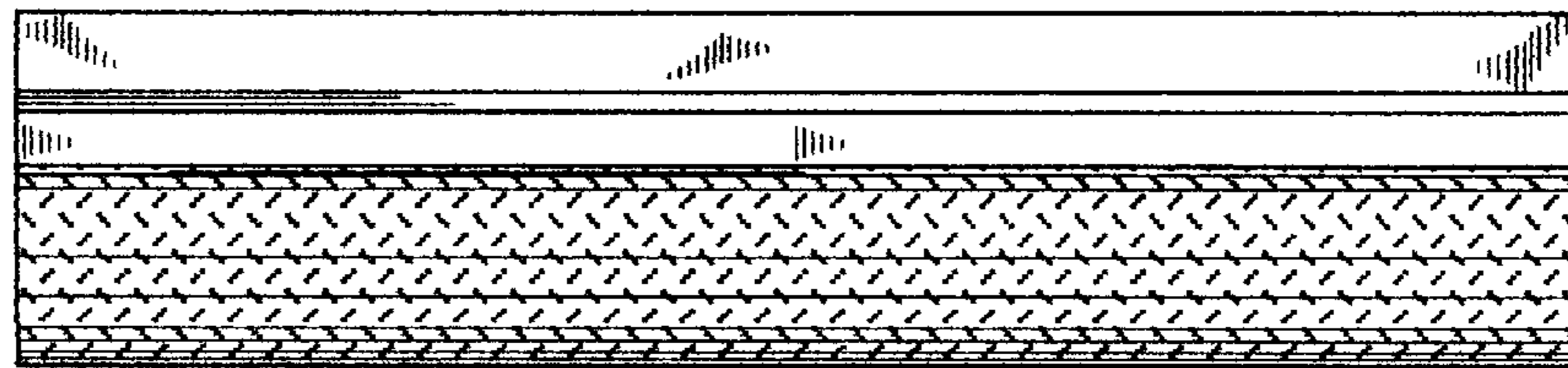


Fig. 8