



US00D524084S

(12) **United States Design Patent**
Wieser et al.

(10) **Patent No.:** **US D524,084 S**

(45) **Date of Patent:** **** Jul. 4, 2006**

(54) **TABLE TOP DISPENSER FOR FOLDED
ABSORBENT SHEET PRODUCTS**

(75) Inventors: **Russell G. Wieser**, Appleton, WI (US);
Wolfgang Ott, Antioch, CA (US)

(73) Assignee: **SCA Hygiene Products AB**,
Gothenborg (SE)

(**) Term: **14 Years**

(21) Appl. No.: **29/231,313**

(22) Filed: **Jun. 3, 2005**

(51) **LOC (8) Cl.** **20-02**

(52) **U.S. Cl.** **D6/518**

(58) **Field of Classification Search** D6/515-523;
206/225, 233, 389, 391, 812, 824; 211/13.1,
211/45; 222/173, 180; 221/26, 33, 282-283;
224/925; 242/570, 590; 248/309.1, 309.2,
248/905; D12/17, 19

See application file for complete search history.

(56) **References Cited**

U.S. PATENT DOCUMENTS

D56,730 S * 12/1920 Teall D7/631

D187,955 S * 5/1960 Name D6/515
3,068,055 A * 12/1962 Lenzi et al. D7/631
D200,661 S * 3/1965 Ema D6/519
D212,041 S * 8/1968 Sharpe D7/631

* cited by examiner

Primary Examiner—Brian N Vinson

(74) *Attorney, Agent, or Firm*—Young & Thompson

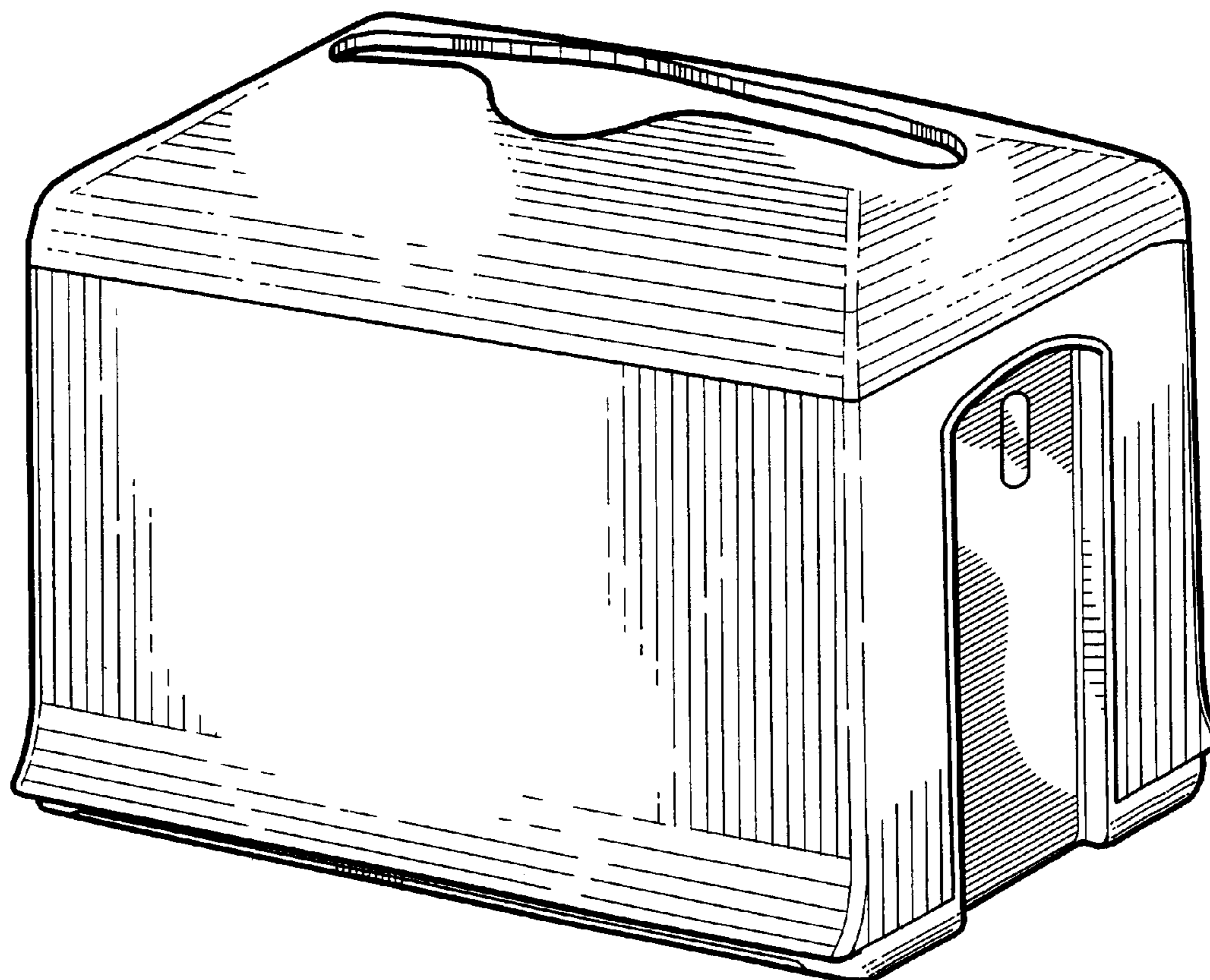
(57) **CLAIM**

The ornamental design for a table top dispenser for folded absorbent sheet products, as shown and described.

DESCRIPTION

FIG. 1 is a front, top and right side perspective view of a dispenser embodying our design;
FIG. 2 is a front elevational view of the dispenser of FIG. 1;
FIG. 3 is a rear elevational view of the dispenser of FIG. 1
FIG. 4 is a left side view of the dispenser of FIG.1; and, the right side view being a mirror image thereof; and,
FIG. 5 is a top plan view of the dispenser of FIG. 1; the appearance of the underside of the dispenser not forming a part of the claimed design.

1 Claim, 3 Drawing Sheets



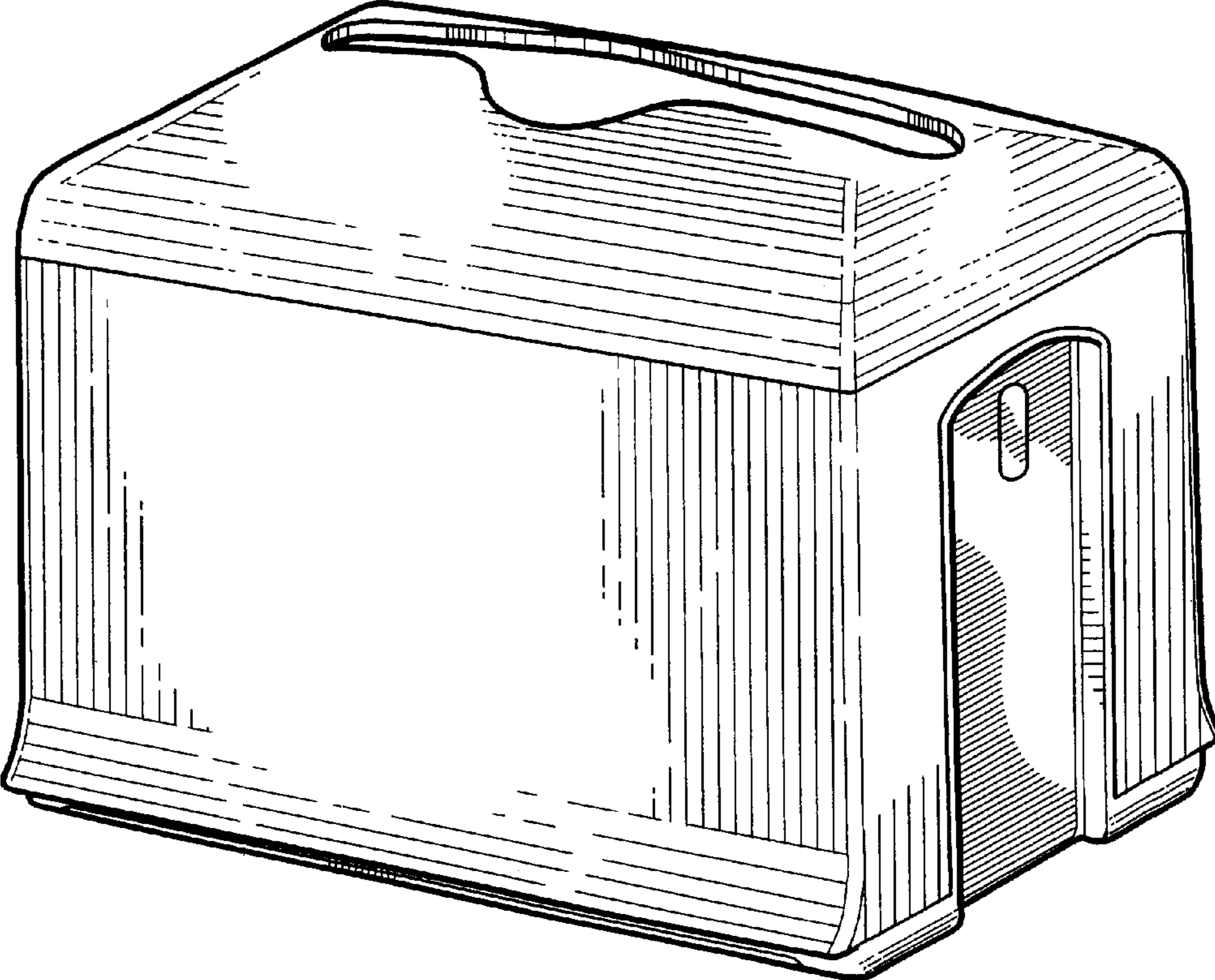


FIG. 1

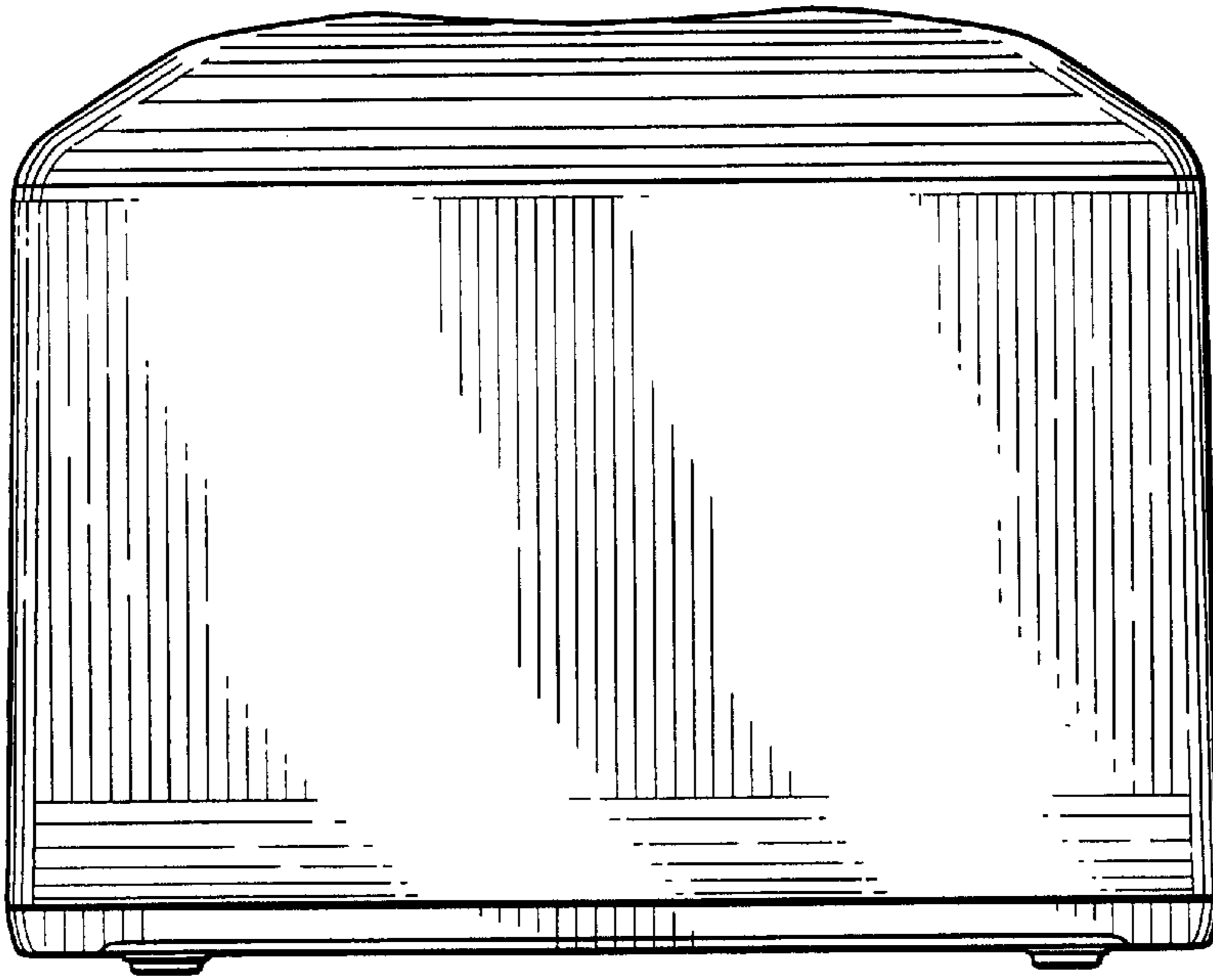


FIG. 2

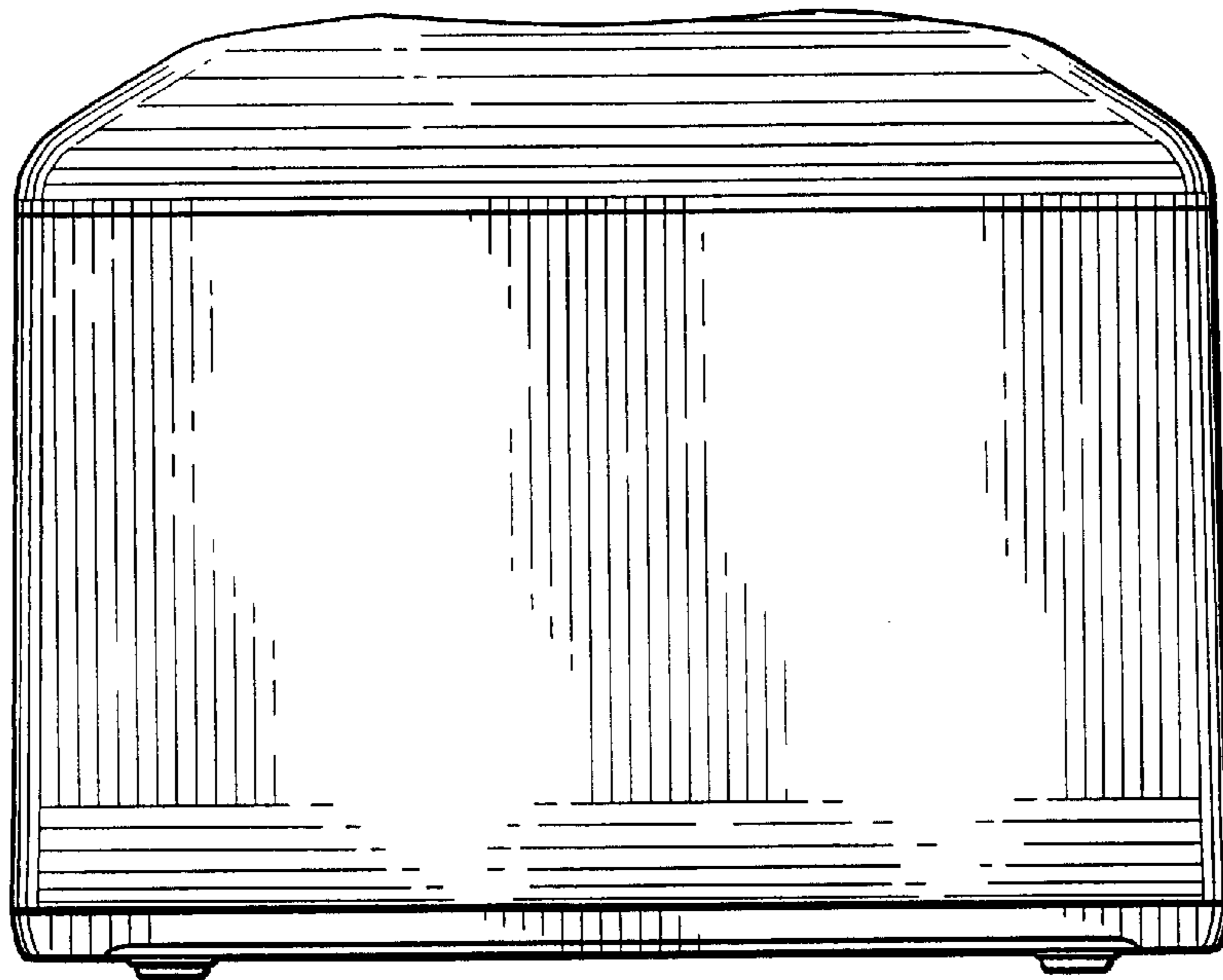


FIG. 3

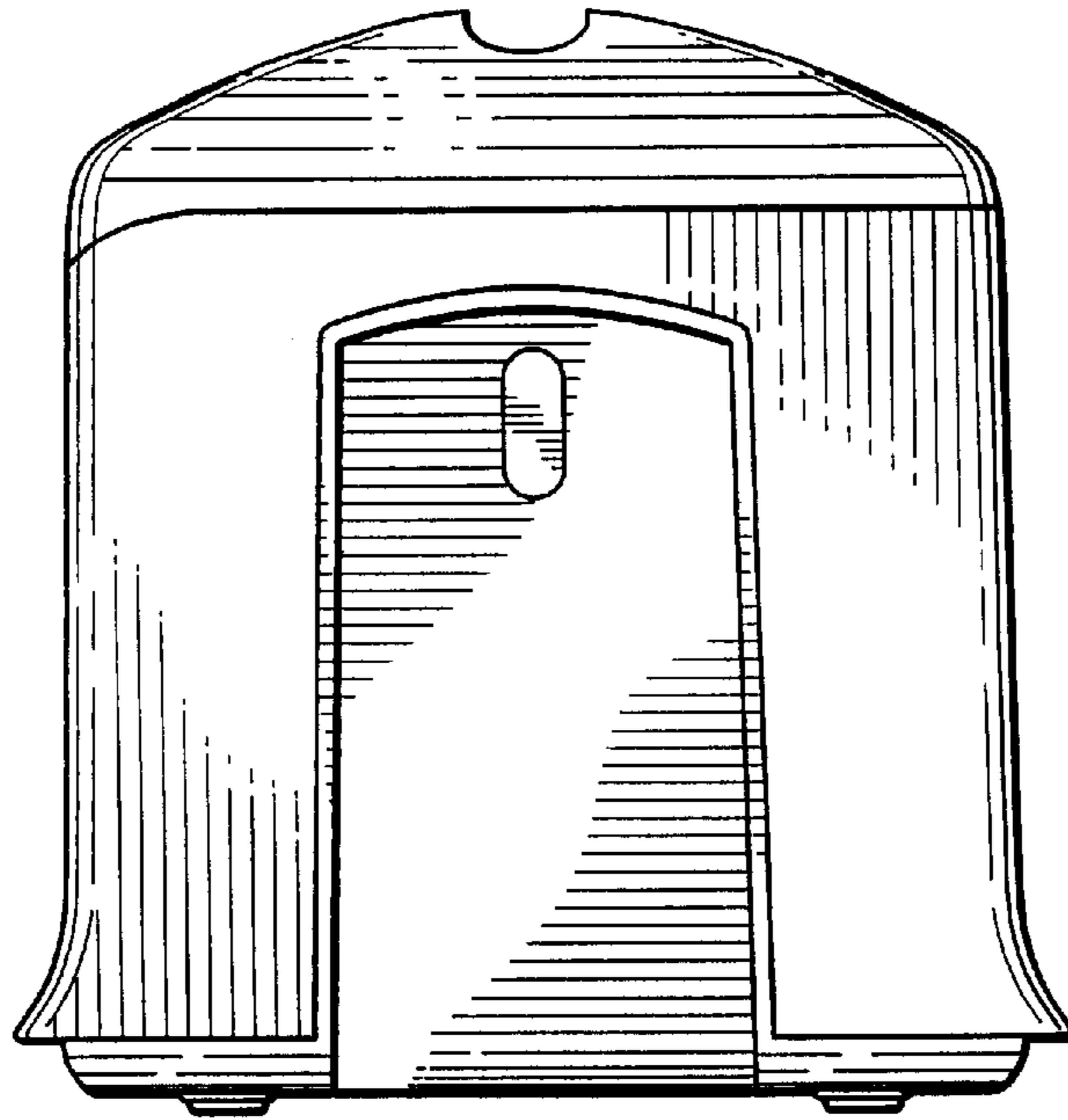


FIG. 4

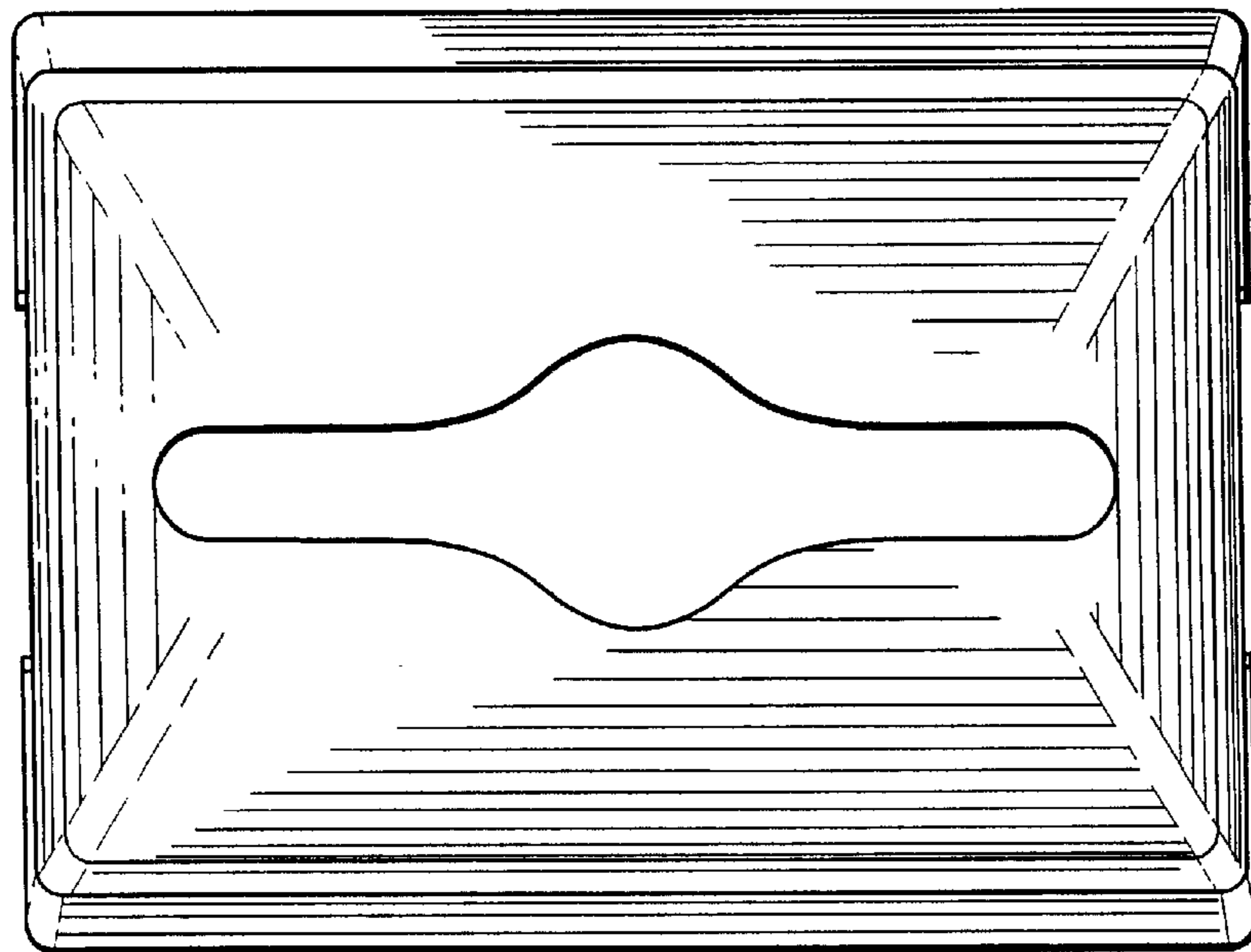


FIG. 5