



US00D524083S

(12) **United States Design Patent**
Danze

(10) **Patent No.:** **US D524,083 S**

(45) **Date of Patent:** **** Jul. 4, 2006**

(54) **STOOL SEAT**

D466,677 S * 12/2002 Arya D2/869
D467,612 S * 12/2002 Shamitoff D19/42
D469,649 S * 2/2003 Kreuzer D6/610

(76) Inventor: **Alex Danze**, 12571 Del Rey Dr., Santa Ana, CA (US) 92705

(**) Term: **14 Years**

(21) Appl. No.: **29/216,810**

(22) Filed: **Nov. 8, 2004**

(51) **LOC (8) Cl.** **06-01**

(52) **U.S. Cl.** **D6/502; D6/358**

(58) **Field of Classification Search** D6/334-339,
D6/349, 352, 364-366, 353, 369, 370, 495,
D6/500-502, 358, 351, 345; 5/12.1; 297/445.1,
297/232, 446.1, 447.3, 448.1, 452.1; 312/235.9;
215/316, 328; D9/443

See application file for complete search history.

OTHER PUBLICATIONS

Washington Home section of Washington Post Newspaper,
1 pg., Feb. 29, 1996.*
ProArmor Stool from printout of webpage address www.
proarmor.com/_prostool.htm, Copyright 2002-2005,
ProArmor.

* cited by examiner

Primary Examiner—Sandra S. Snapp

(57) **CLAIM**

The ornamental design for a stool seat, as shown and described.

DESCRIPTION

FIG. 1 is a perspective view of a stool seat;

FIG. 2 is a front view;

FIG. 3 is a back view;

FIG. 4 is a right side view;

FIG. 5 is a left side view;

FIG. 6 is a bottom view; and,

FIG. 7 is a top view.

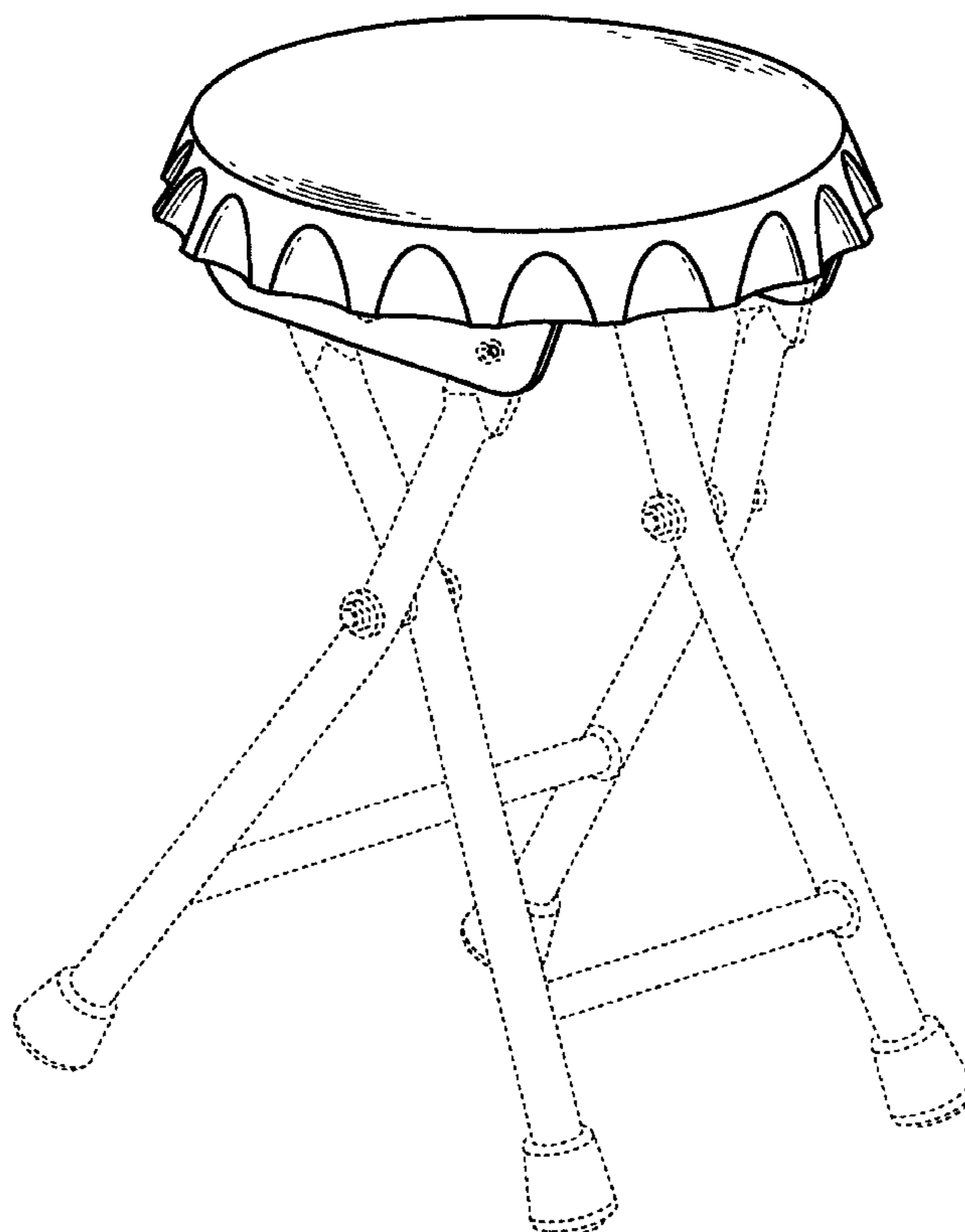
The details shown in broken lines are for illustrative purposes only, and form no part of the claimed design.

(56) **References Cited**

U.S. PATENT DOCUMENTS

2,726,002 A * 12/1955 Dalianis 215/260
3,092,280 A * 6/1963 Ford 215/328
3,497,098 A * 2/1970 Myer 215/328
4,337,871 A * 7/1982 Tucker 215/328
D274,285 S * 6/1984 Budde D21/825
D279,803 S * 7/1985 Manning D21/443
D298,147 S * 10/1988 Tesla D21/443
D365,694 S * 1/1996 Liisberg D6/360
D410,355 S * 6/1999 Quinn D6/502
D462,506 S * 9/2002 Davison, III D2/869

1 Claim, 3 Drawing Sheets



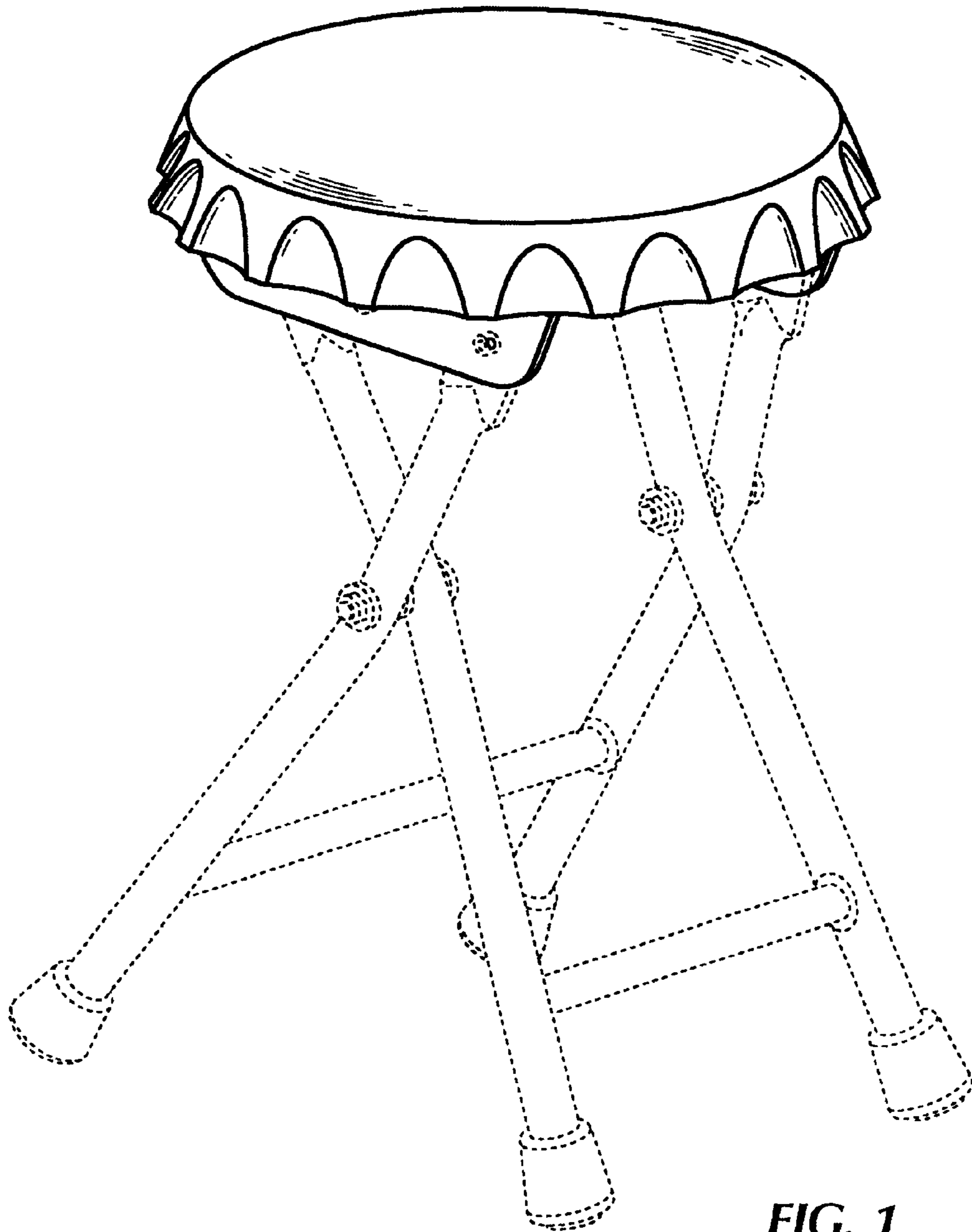


FIG. 1

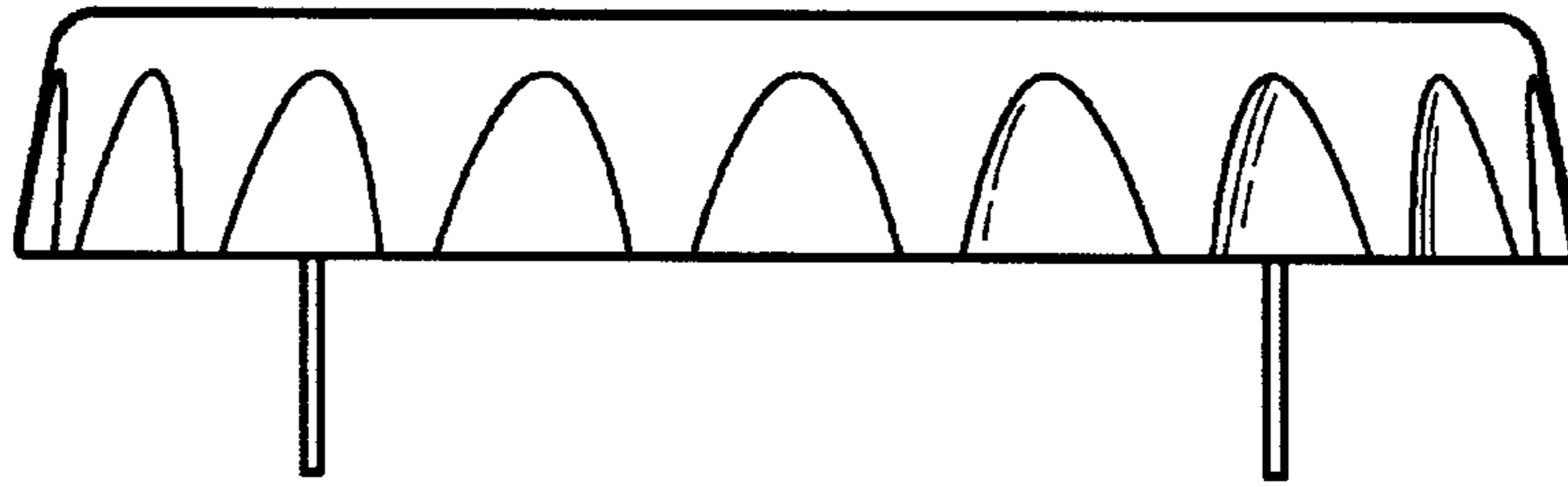


FIG. 2

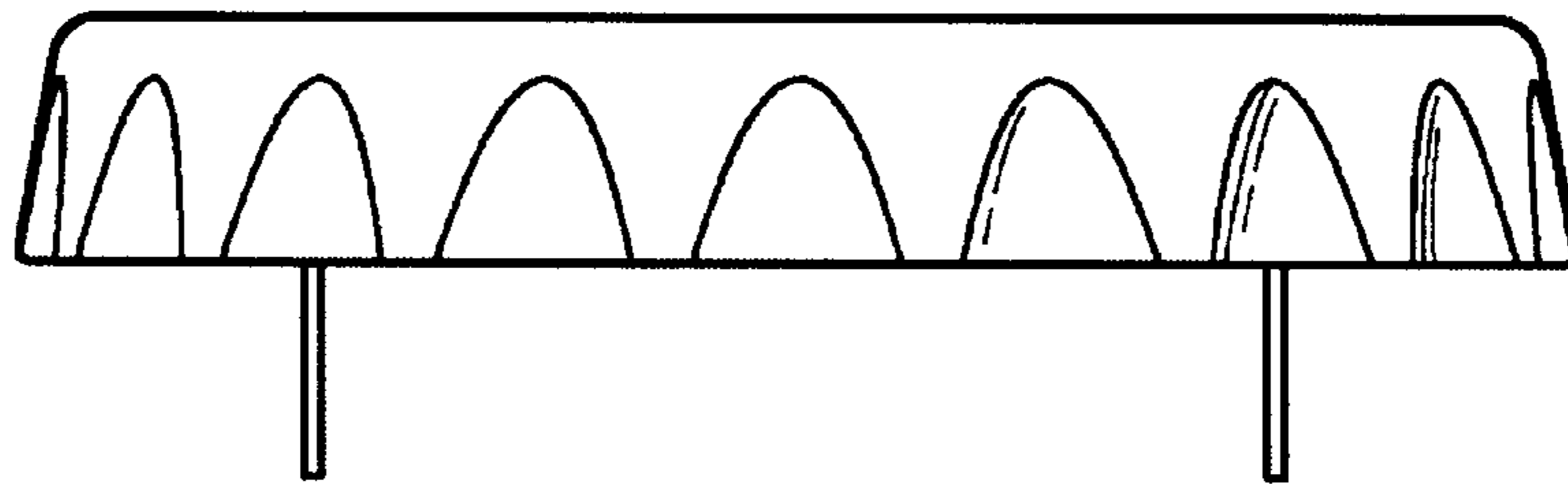


FIG. 3

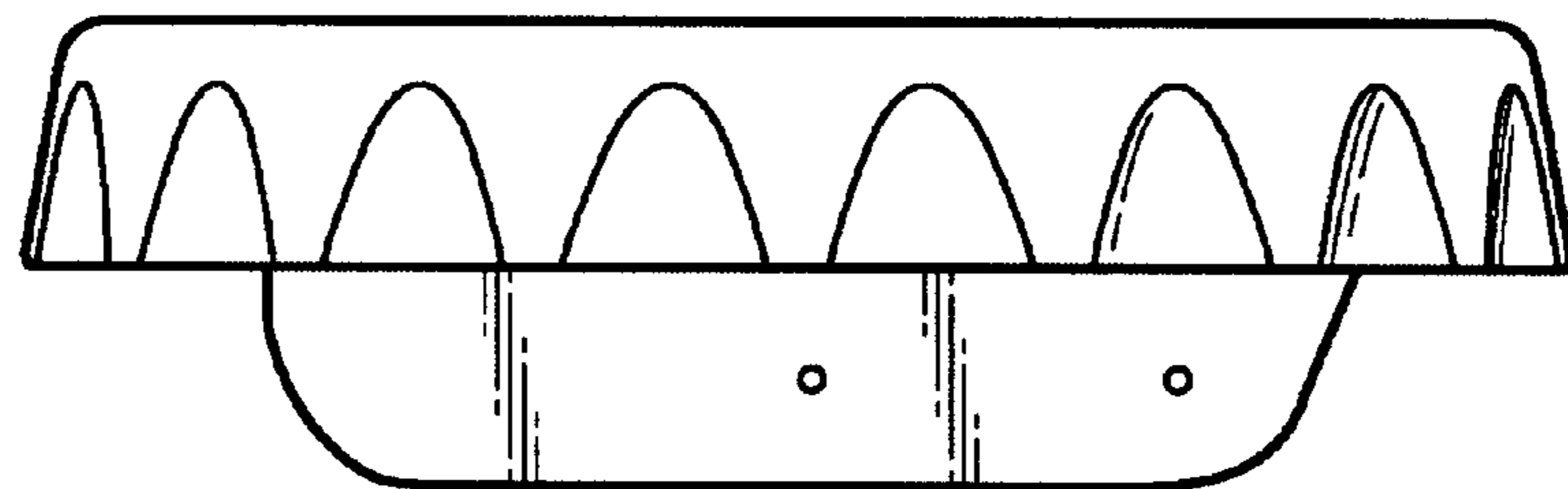


FIG. 4

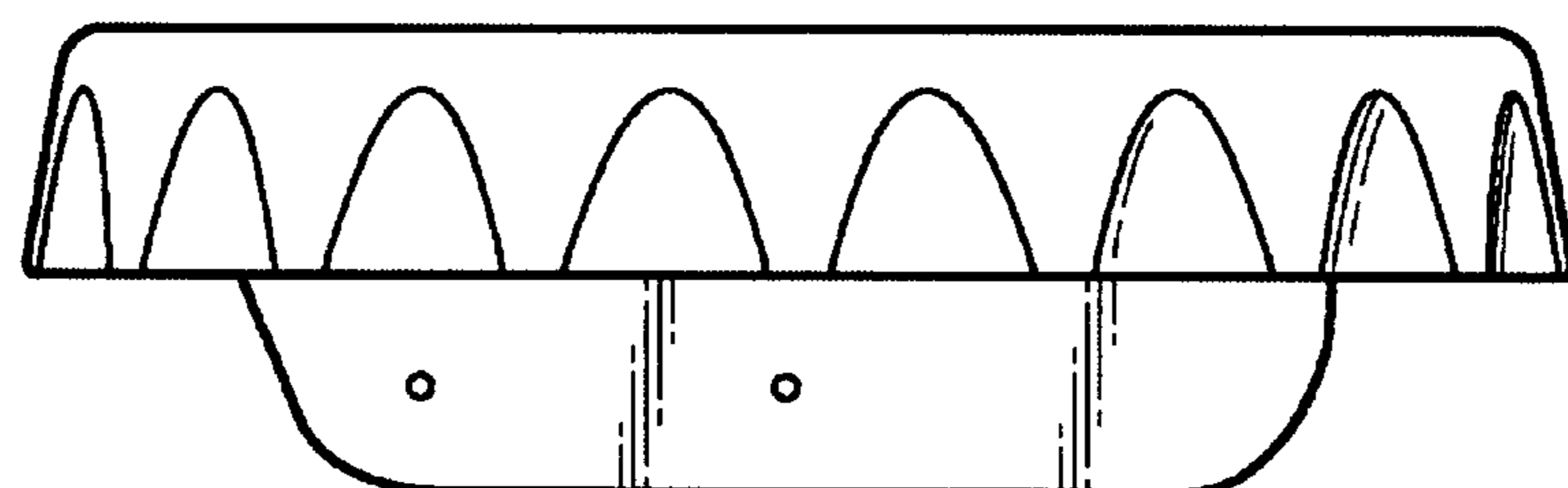


FIG. 5

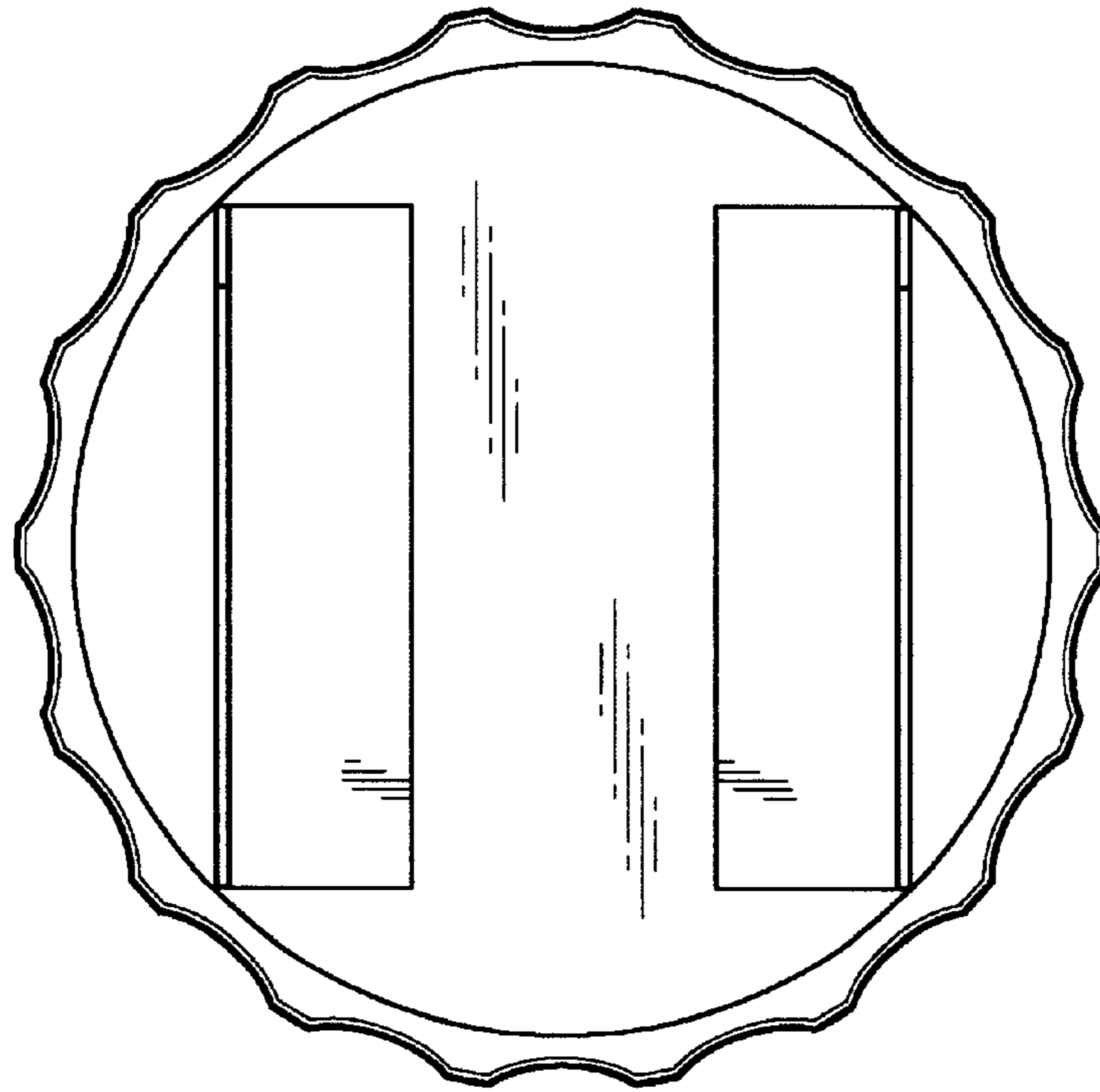


FIG. 6

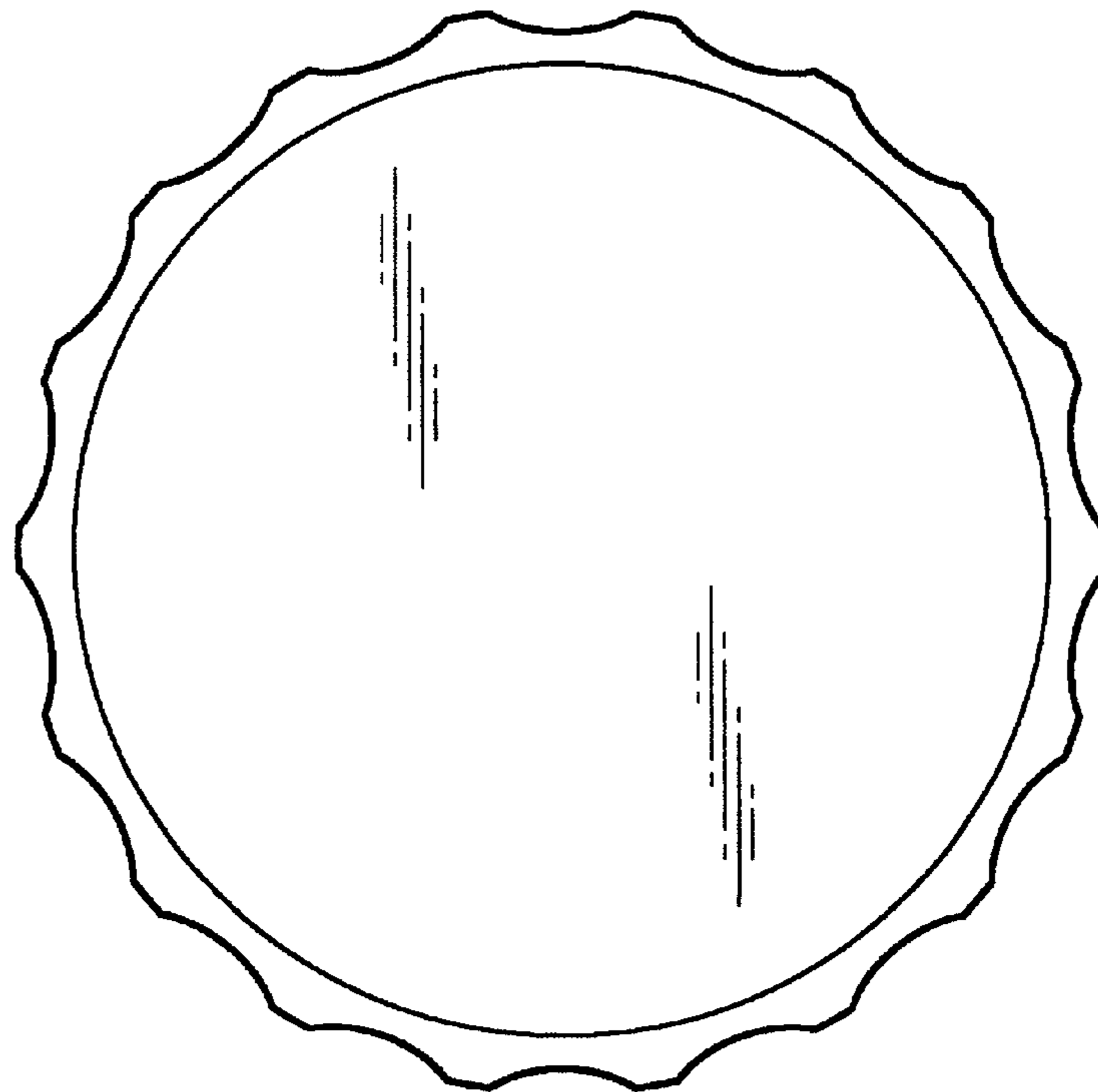


FIG. 7