

US00D524080S

(12) **United States Design Patent**
Stenhouse et al.

(10) **Patent No.:** **US D524,080 S**

(45) **Date of Patent:** **** *Jul. 4, 2006**

(54) **MULTI-LEVEL SUPPORT SYSTEM FOR MEDIA COMPONENTS**

(75) Inventors: **Brett Stenhouse**, Phoenix, AZ (US);
Zachary Eyman, Phoenix, AZ (US);
Korry Hoglan, Phoenix, AZ (US)

(73) Assignee: **OmniMount Systems, Inc.**, Phoenix, AZ (US)

(*) Notice: This patent is subject to a terminal disclaimer.

(**) Term: **14 Years**

(21) Appl. No.: **29/222,545**

(22) Filed: **Jan. 31, 2005**

(51) **LOC (8) Cl.** **06-04**

(52) **U.S. Cl.** **D6/479**

(58) **Field of Classification Search** D6/460,
D6/461, 468, 474, 477-479; 312/7.2, 9.1;
108/59, 91, 92, 96; 211/40, 41.12, 42, 49.1,
211/50, 85.2, 90.04, 187, 190, 119.003, 134.153,
211/87.01, 71.01

See application file for complete search history.

(56) **References Cited**

U.S. PATENT DOCUMENTS

D427,459 S	*	7/2000	Druebbisch	D6/479
D472,074 S	*	3/2003	de Carolis	D6/479
D483,581 S	*	12/2003	Chang	D6/479
D491,386 S	*	6/2004	Sexton	D6/479

D491,753 S	*	6/2004	deCarolis	D6/479
D495,164 S	*	8/2004	Chang	D6/479
D496,806 S	*	10/2004	Chang	D6/477
D496,807 S	*	10/2004	deCarolis	D6/477
D497,060 S	*	10/2004	Chang	D6/477
D497,061 S	*	10/2004	Decarolis	D6/479
D505,573 S	*	5/2005	Malizia	D6/474

OTHER PUBLICATIONS

U.S. Appl. No. 29/222,542, Stenhouse et al.
U.S. Appl. No. 29/222,546, Stenhouse et al.
U.S. Appl. No. 29/223,071, Stenhouse et al.

* cited by examiner

Primary Examiner—Cathron C. Brooks

(74) *Attorney, Agent, or Firm*—Perkins Coie LLP

(57) **CLAIM**

The ornamental design for a multi-level support system for media components, as shown and described.

DESCRIPTION

FIG. 1 is a top, left isometric view of an embodiment of a multi-level support system for media components showing our design.

FIG. 2 is a left-side elevational view thereof; the right side elevational view is a mirror image of FIG. 2.

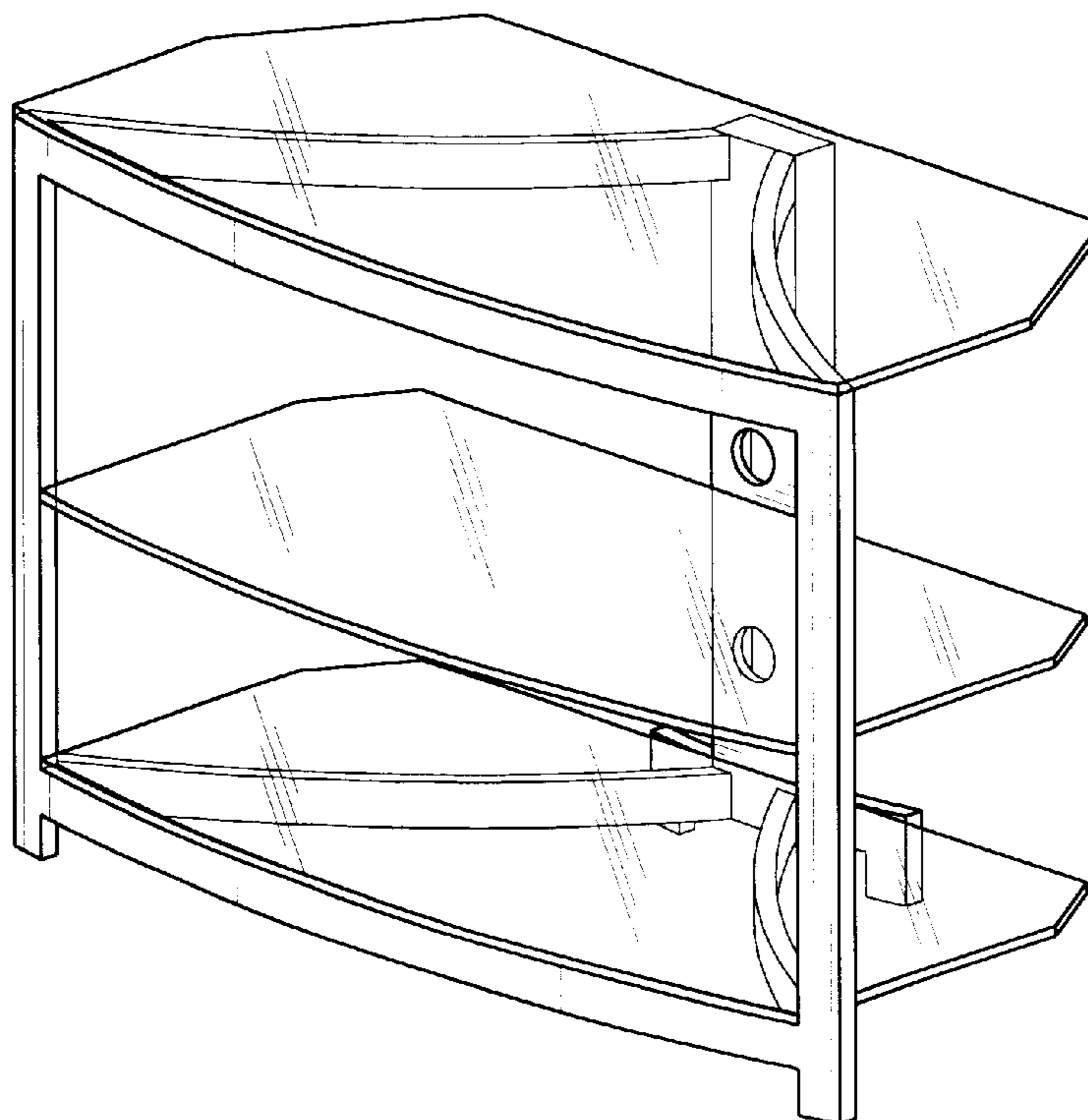
FIG. 3 is a top plan view thereof.

FIG. 4 is a bottom plan view thereof.

FIG. 5 is a front elevational view thereof; and,

FIG. 6 is a rear elevational view thereof.

1 Claim, 3 Drawing Sheets



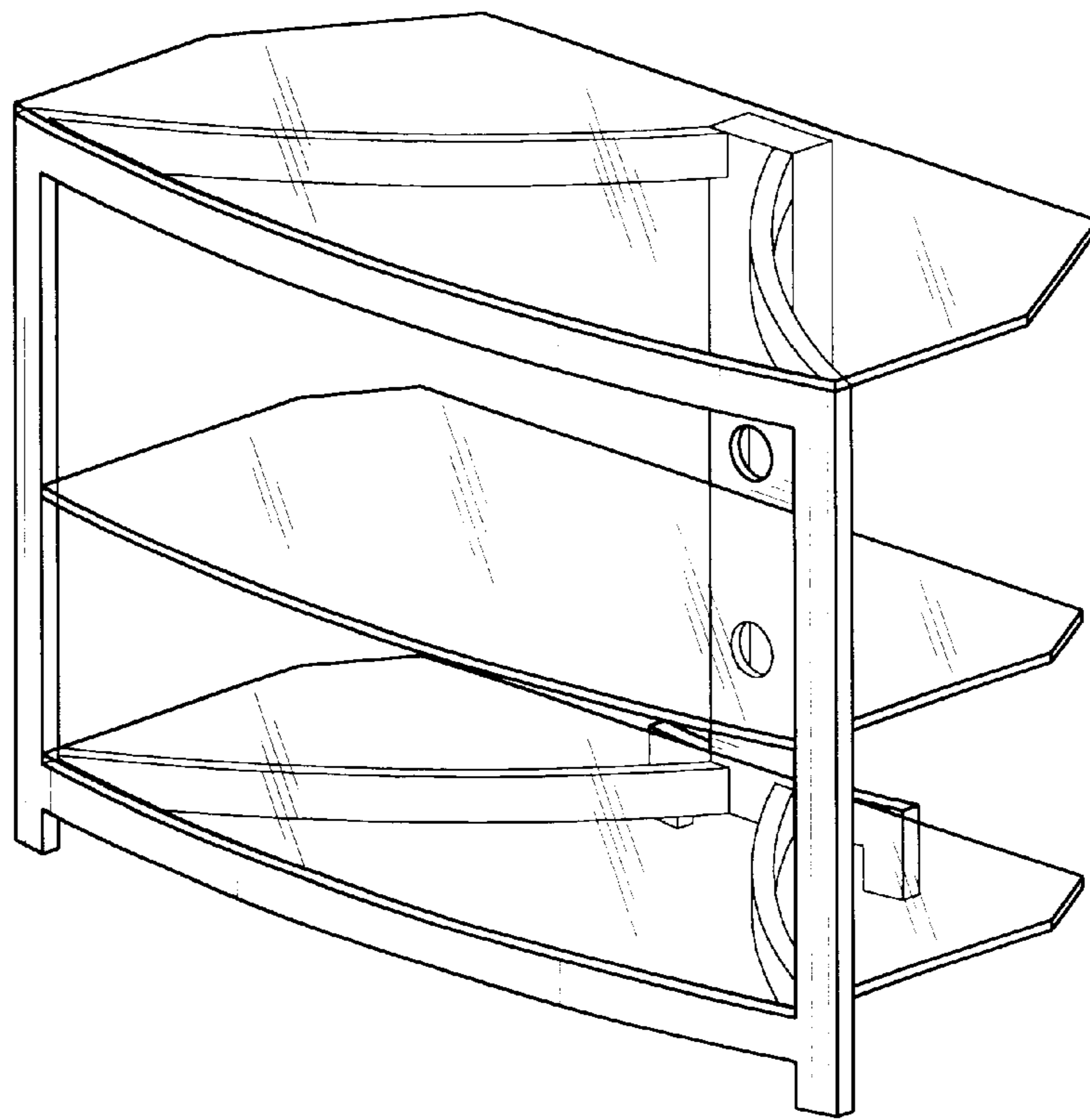


Fig. 1

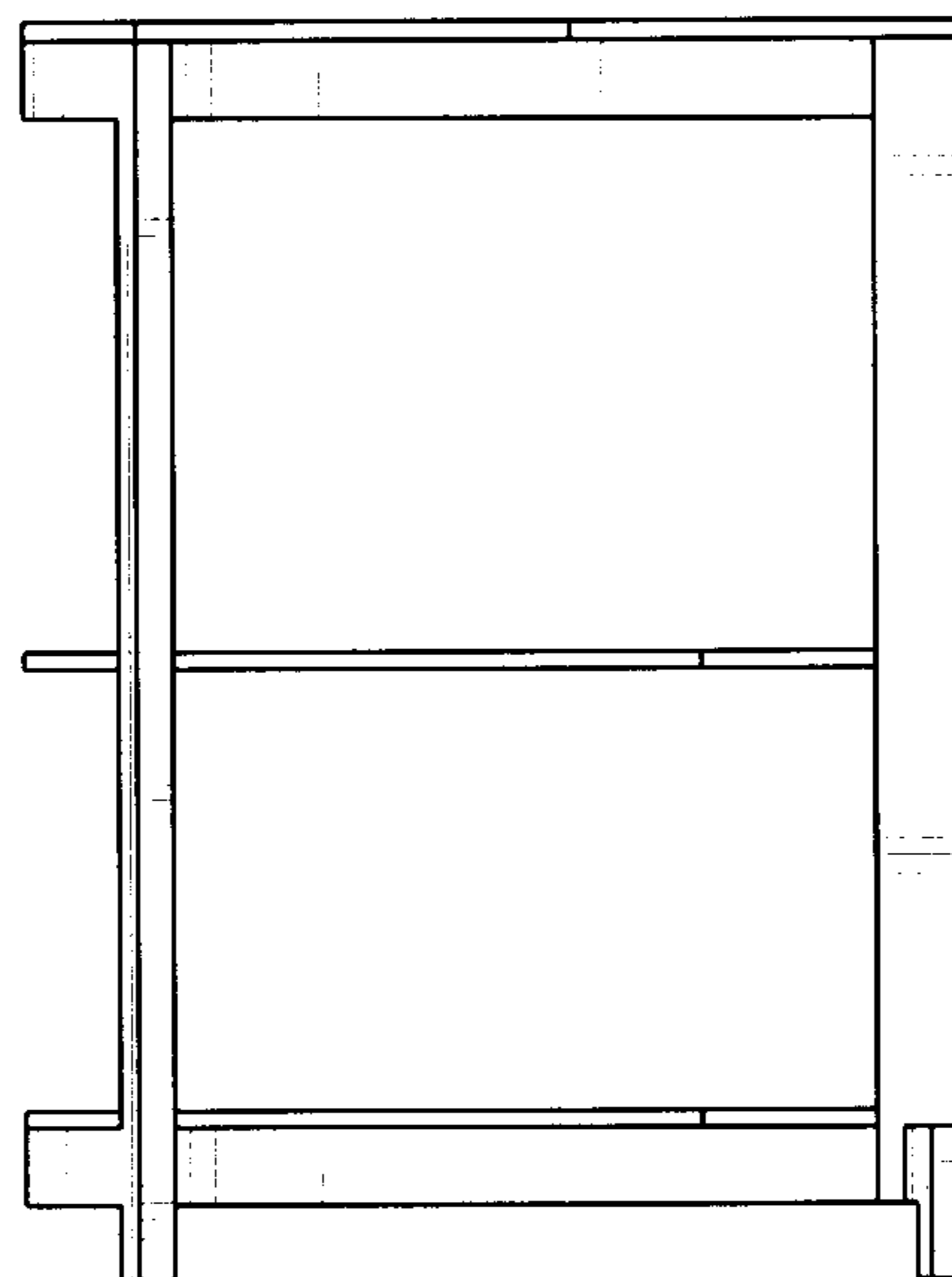


Fig. 2

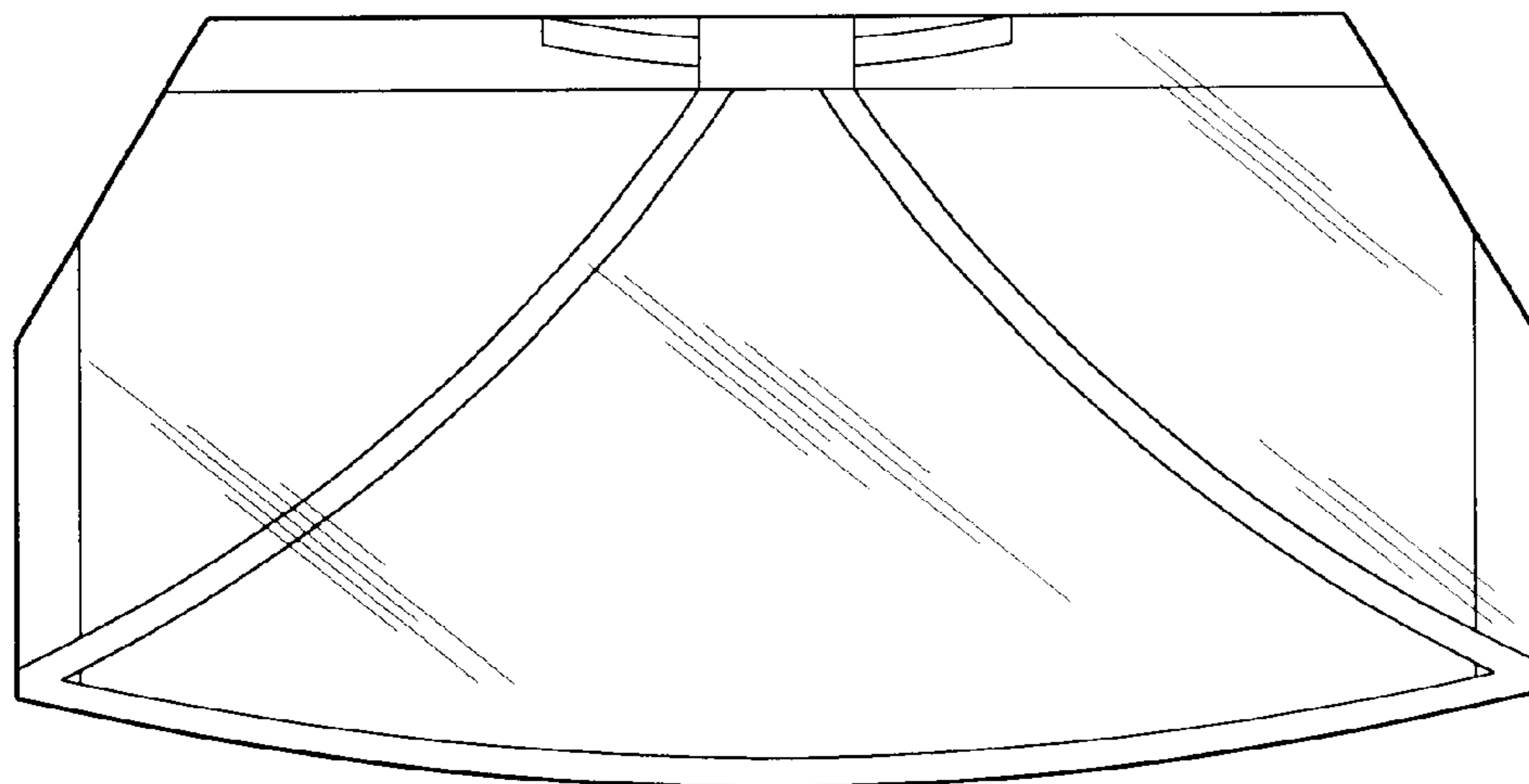


Fig. 3

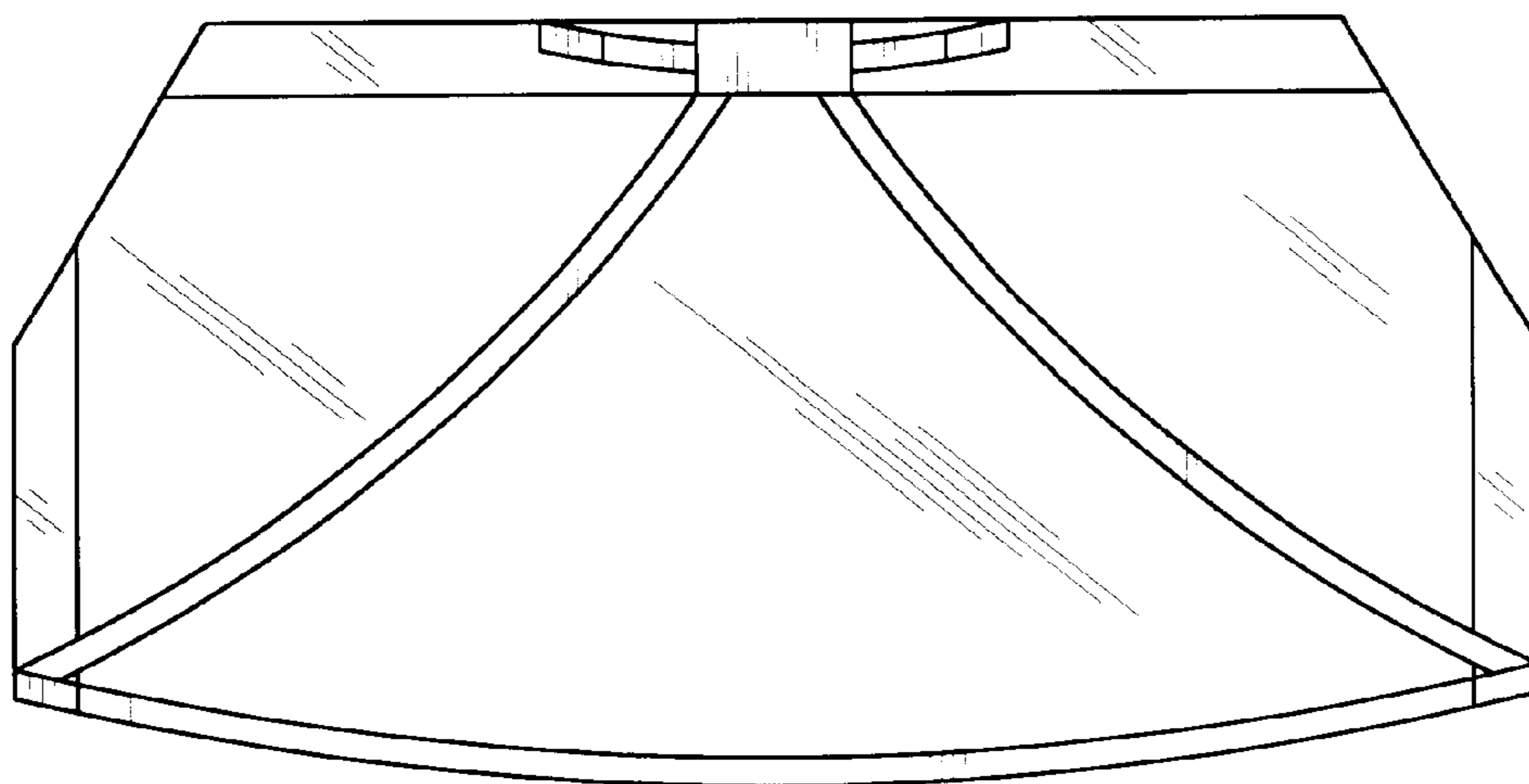


Fig. 4

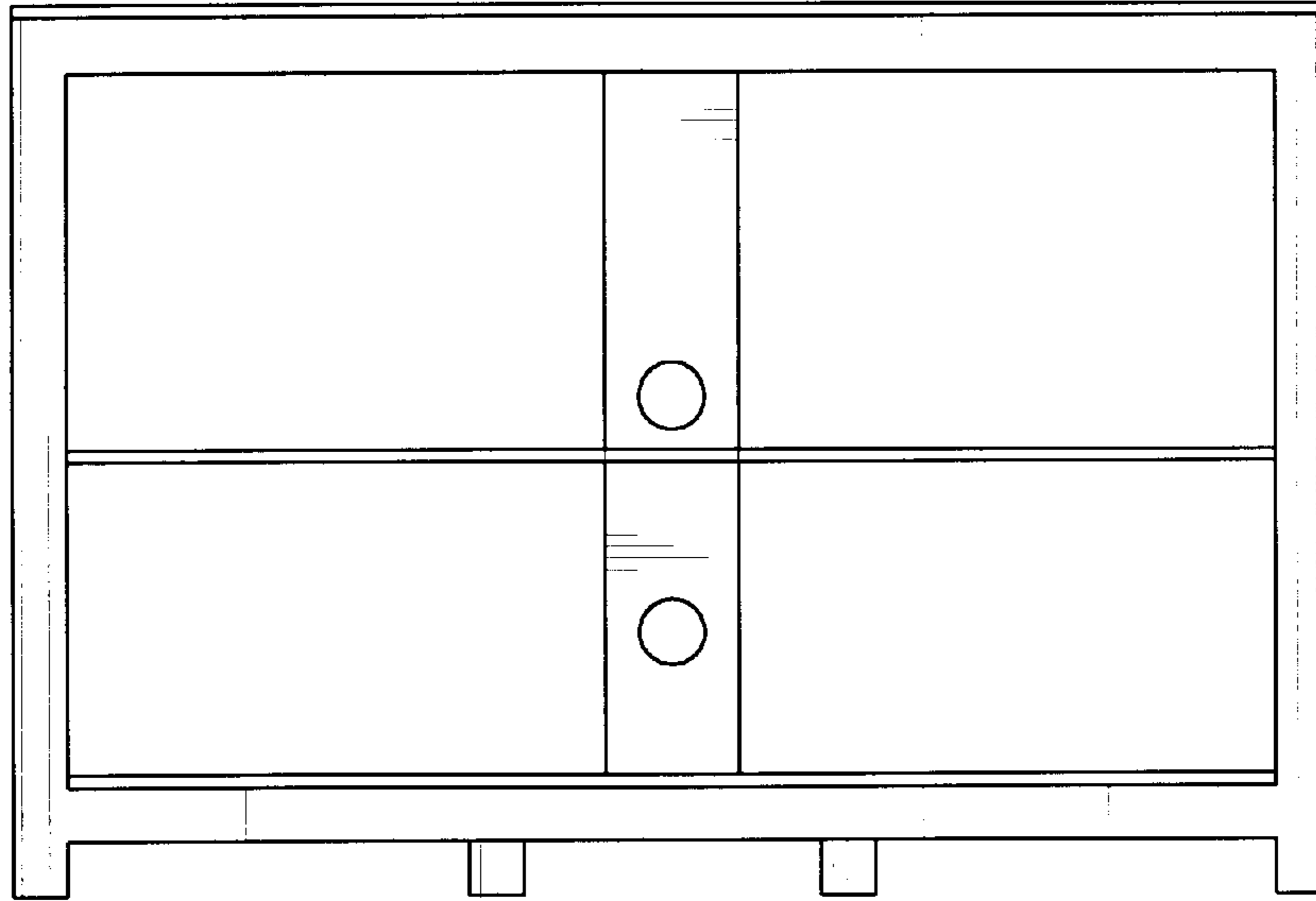


Fig. 5

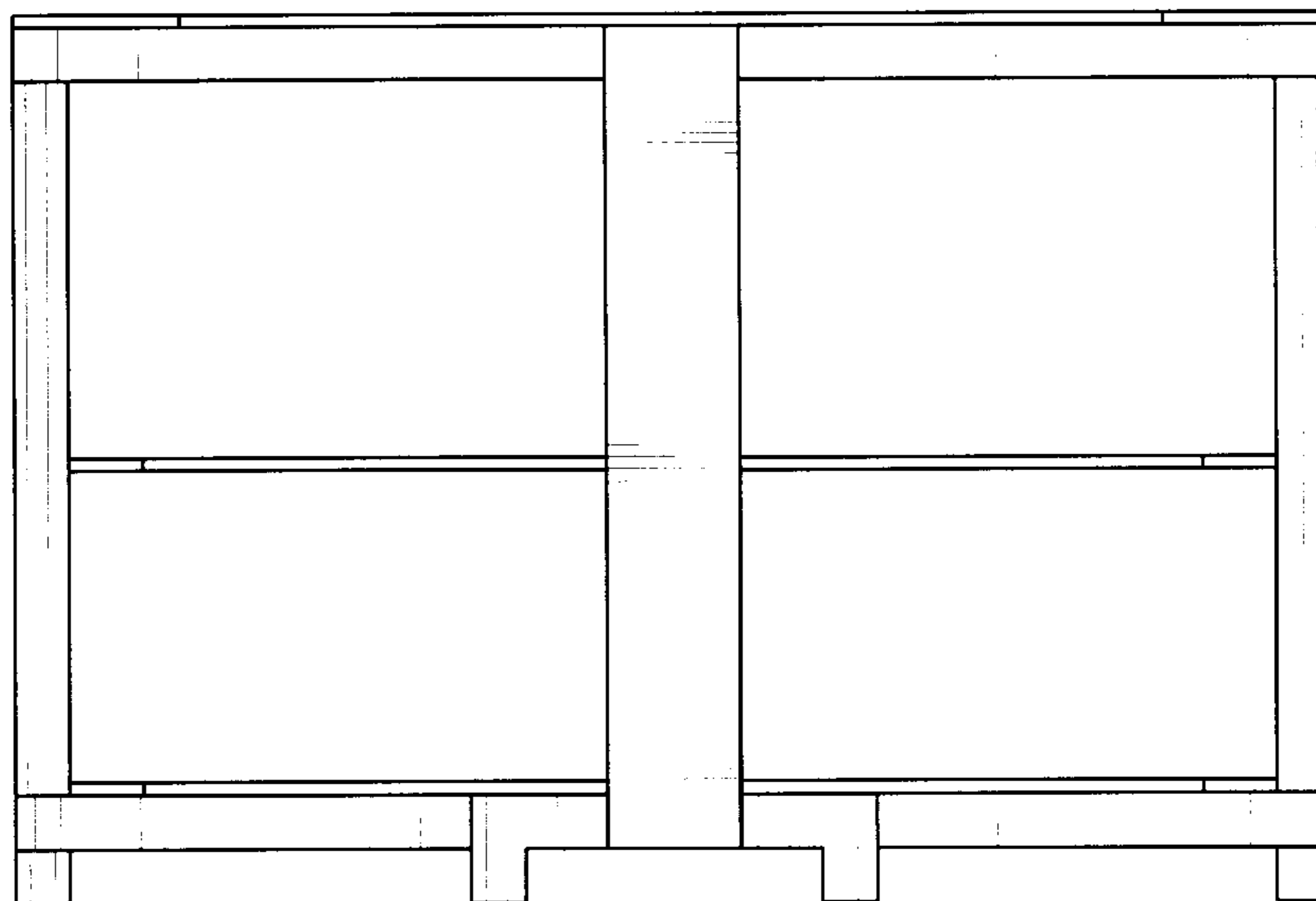


Fig. 6