

US00D524076S

(12) **United States Design Patent**
Newhouse et al.

(10) **Patent No.:** **US D524,076 S**
(45) **Date of Patent:** **** Jul. 4, 2006**

(54) **WORK STATION**
(75) Inventors: **Thomas J. Newhouse**, Grand Rapids, MI (US); **Douglas J. Hill**, Grand Rapids, MI (US); **S. Michael Crump**, Grandville, MI (US)

(73) Assignee: **Hekman Furniture Company**, Grand Rapids, MI (US)

(**) Term: **14 Years**

(21) Appl. No.: **29/231,621**

(22) Filed: **Jun. 8, 2005**

Related U.S. Application Data

(62) Division of application No. 29/206,680, filed on Jun. 2, 2004, now Pat. No. Des. 512,850.

(51) **LOC (8) Cl.** **06-03**

(52) **U.S. Cl.** **D6/422; D6/423; D6/426**

(58) **Field of Classification Search** D6/421-428;
312/194-196, 208.1, 208.2, 238, 239; 108/50.01,
108/50.02, 60

See application file for complete search history.

(56) **References Cited**

U.S. PATENT DOCUMENTS

1,075,964 A	10/1913	Colling	
1,540,616 A	6/1925	Hagopian	
1,715,134 A	5/1929	Koenig	
1,838,352 A	12/1931	Anderson	
2,378,852 A	6/1945	James	
2,931,685 A	4/1960	Butler	
D191,453 S	* 10/1961	Abrahamson	D6/422
D191,455 S	* 10/1961	Abrahamson	D6/480
3,183,861 A	5/1965	Halstrick	
3,667,713 A	6/1972	Clarke	
3,744,872 A	7/1973	Akin, Jr. et al.	
3,875,712 A	4/1975	Thompson	
4,191,111 A	3/1980	Emmert	
4,715,075 A	12/1987	Shamie	
D303,881 S	* 10/1989	Markus	D6/421
5,107,775 A	4/1992	Langlais et al.	
5,495,811 A	3/1996	Carson et al.	

5,522,642 A	6/1996	Herzog	
5,536,068 A	7/1996	Valentor et al.	
5,549,053 A	8/1996	Grout	
5,562,052 A	10/1996	Glashouwer et al.	
5,598,788 A	2/1997	Jonker	
5,678,892 A	10/1997	Heitlinger	
D401,224 S	11/1998	Mollenkopf et al.	
5,992,332 A	* 11/1999	Grabowski	108/64
6,027,086 A	2/2000	Heitlinger et al.	
6,119,605 A	9/2000	Agee	
6,158,831 A	* 12/2000	Brown et al.	312/258
6,196,648 B1	3/2001	Henriott	
6,202,567 B1	3/2001	Funk et al.	
6,209,840 B1	4/2001	Chen	
D445,277 S	* 7/2001	Petri	D6/422
6,312,069 B1	11/2001	Weng	
6,327,985 B1	12/2001	Frenkler et al.	
6,354,231 B1	3/2002	Morris	
6,374,754 B1	4/2002	Chang	
D459,109 S	* 6/2002	Couture et al.	D6/422
6,422,668 B1	7/2002	Kelley et al.	
6,457,422 B1	* 10/2002	Saul	108/50.02
6,510,803 B1	1/2003	Agee	
6,520,461 B1	2/2003	Graham	
6,546,880 B1	4/2003	Agee	
6,662,732 B1	12/2003	Birsel et al.	
2002/0084390 A1	7/2002	Parisi et al.	
2002/0092448 A1	7/2002	Park	
2003/0102700 A1	6/2003	Lin	

* cited by examiner

Primary Examiner—Janice Seeger

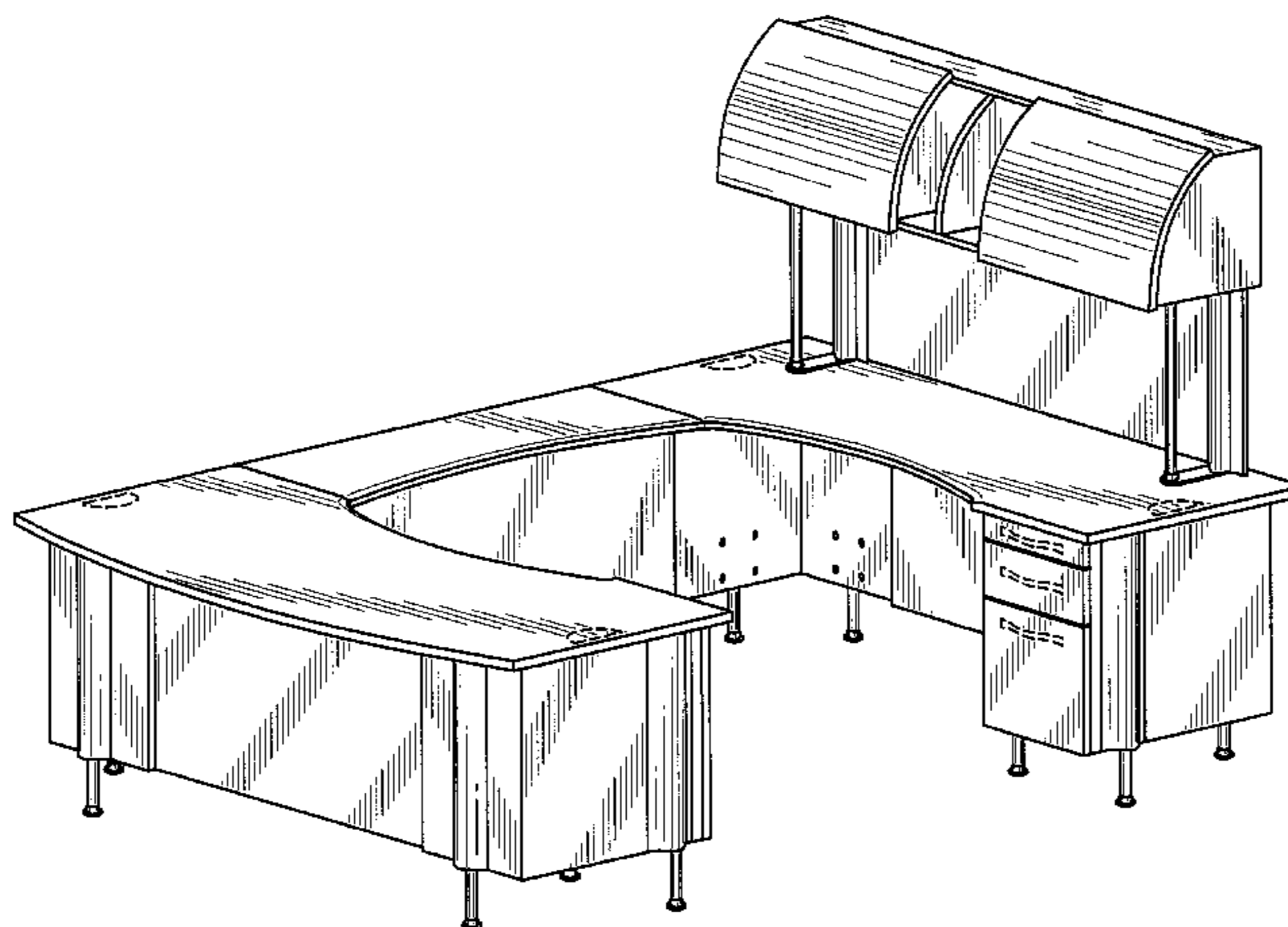
(57) **CLAIM**

The ornamental design for a work station, as shown and described.

DESCRIPTION

FIG. 1 is a perspective view of the work station; FIG. 2 is a top plan view thereof; FIG. 3 is a bottom plan view thereof; FIG. 4 is a left side elevation view thereof; FIG. 5 is a right side elevation view thereof; and, FIG. 6 is a back elevation view thereof. The phantom lines shown are for illustrative purposes and form no part of the claimed design.

1 Claim, 6 Drawing Sheets



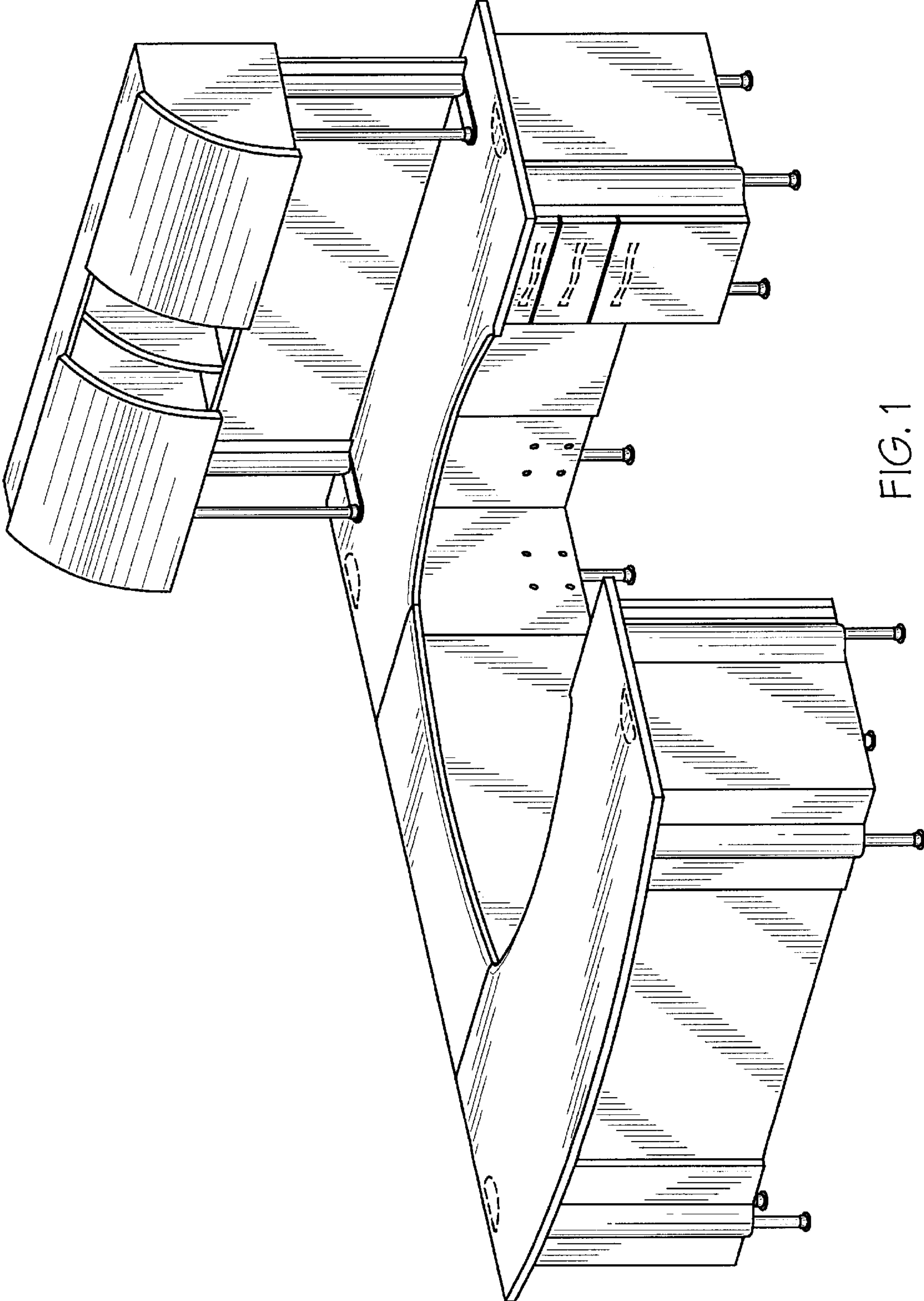


FIG. 1

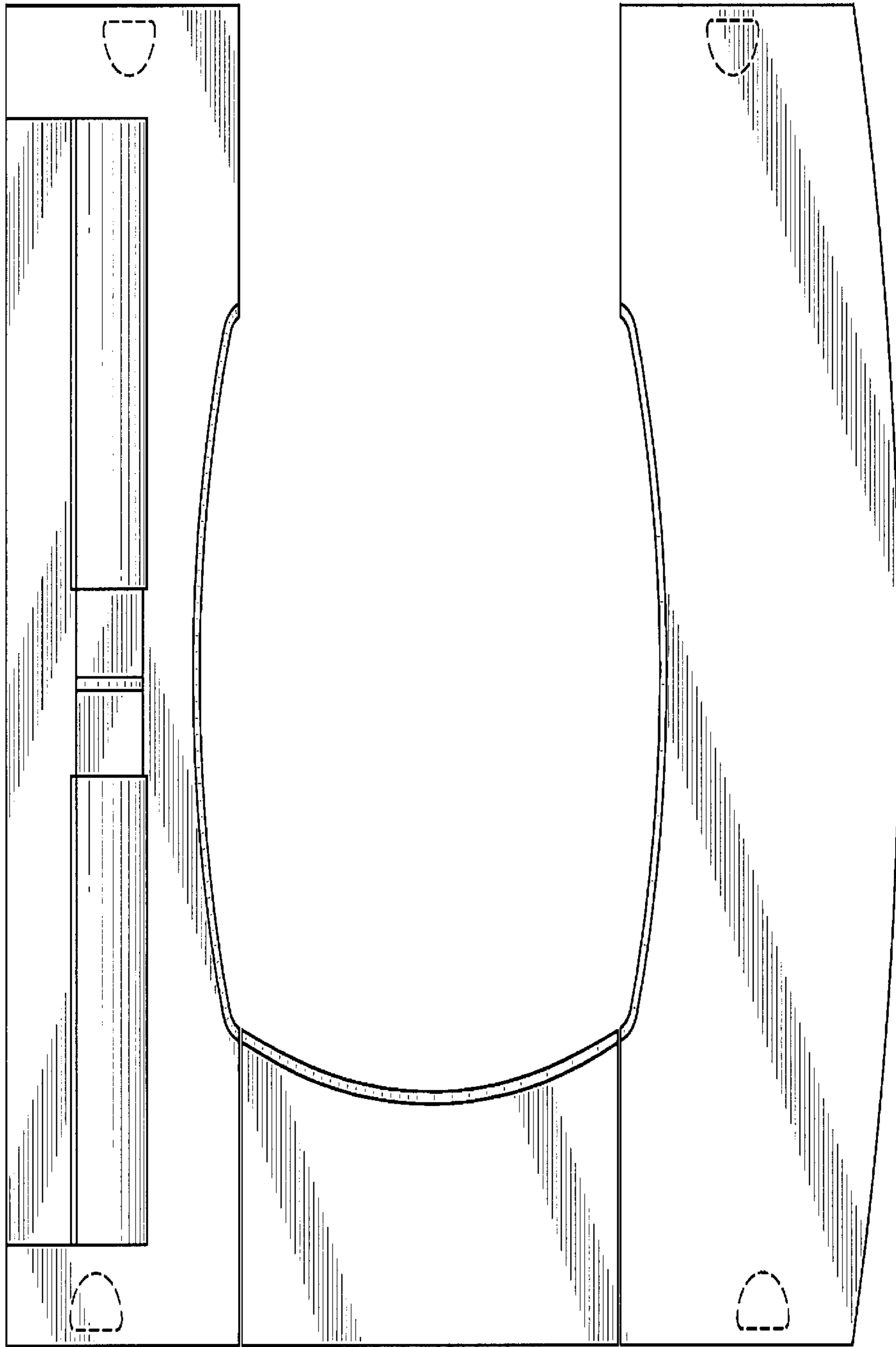


FIG. 2

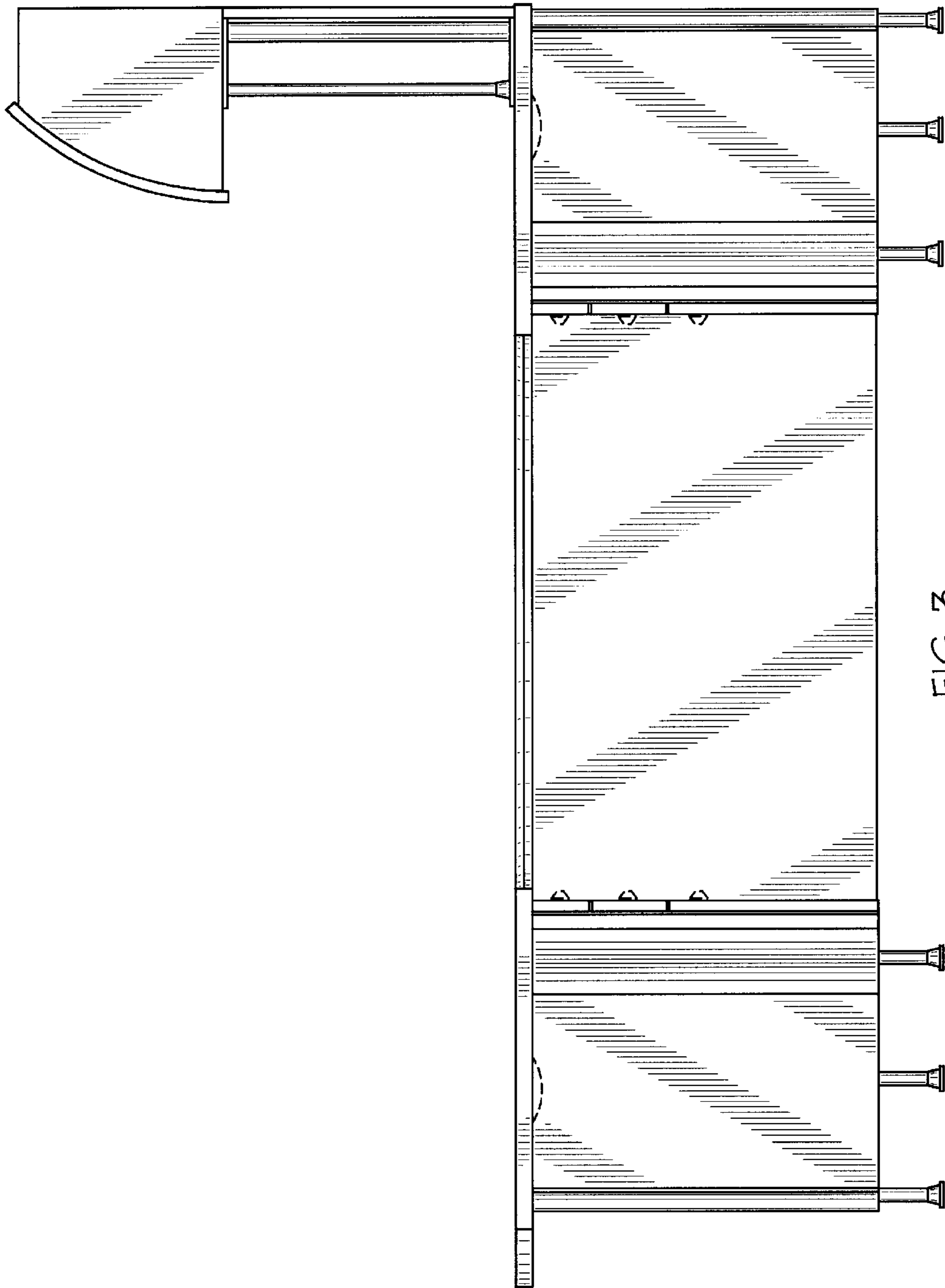


FIG. 3

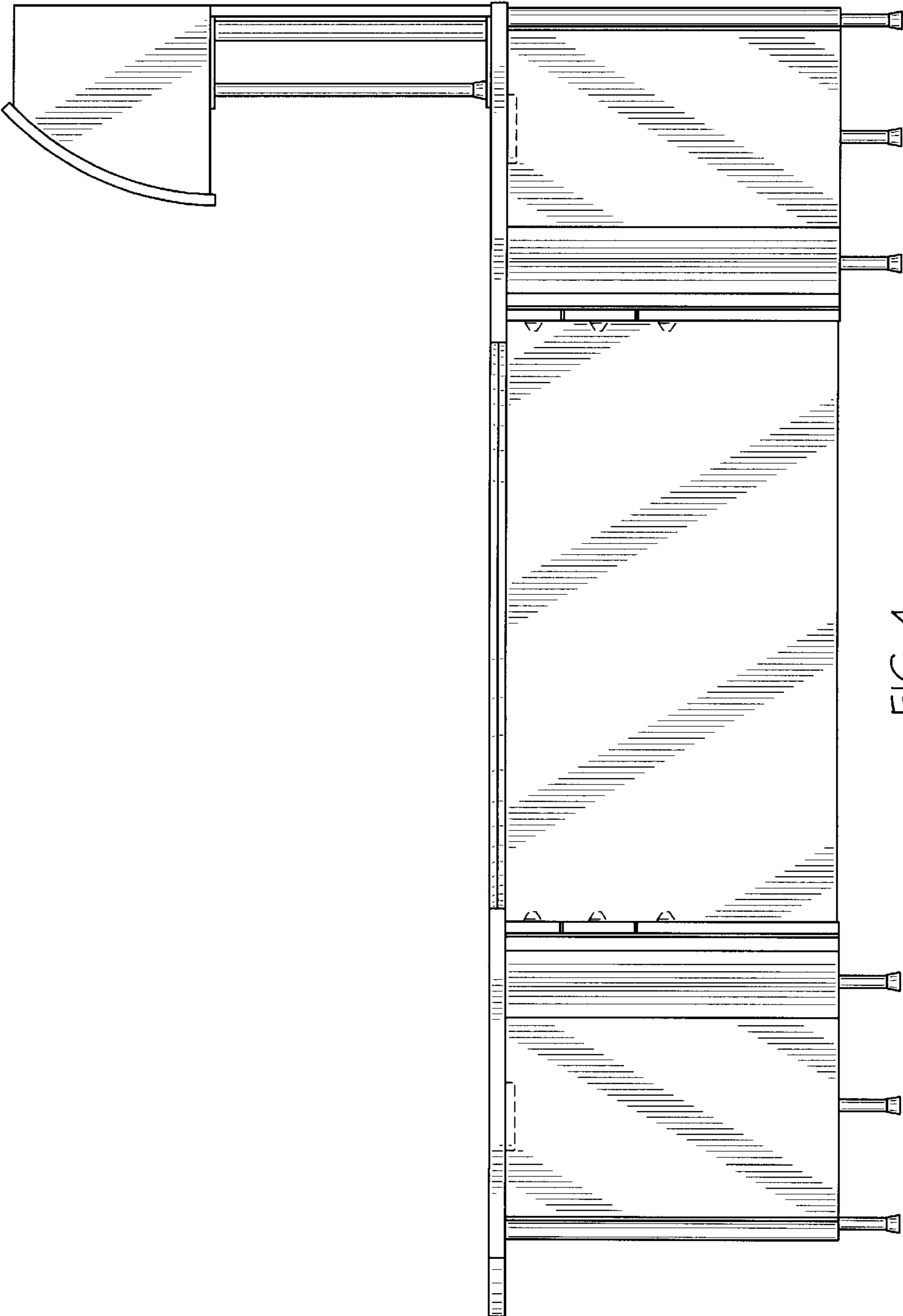


FIG. 4

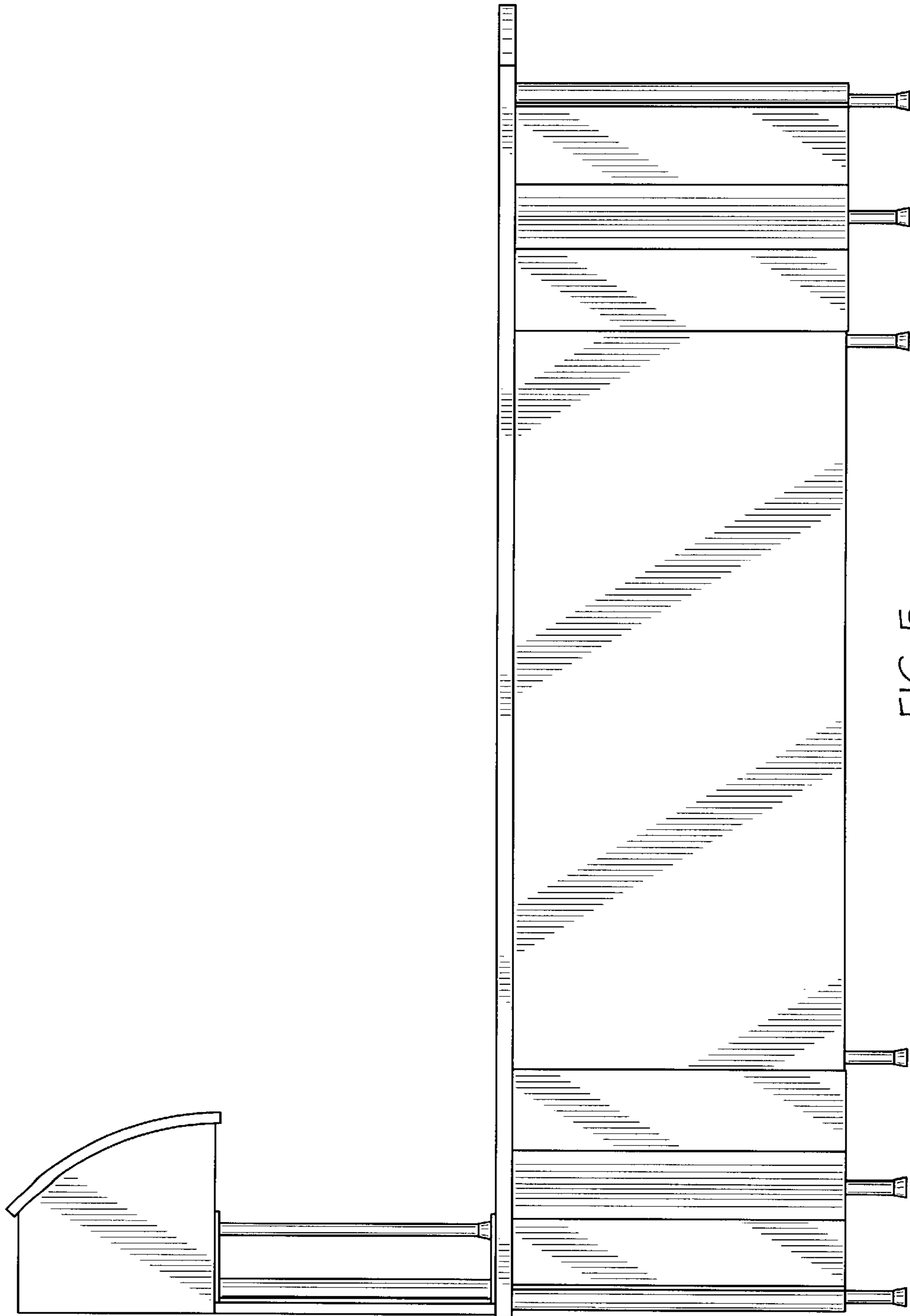


FIG. 5

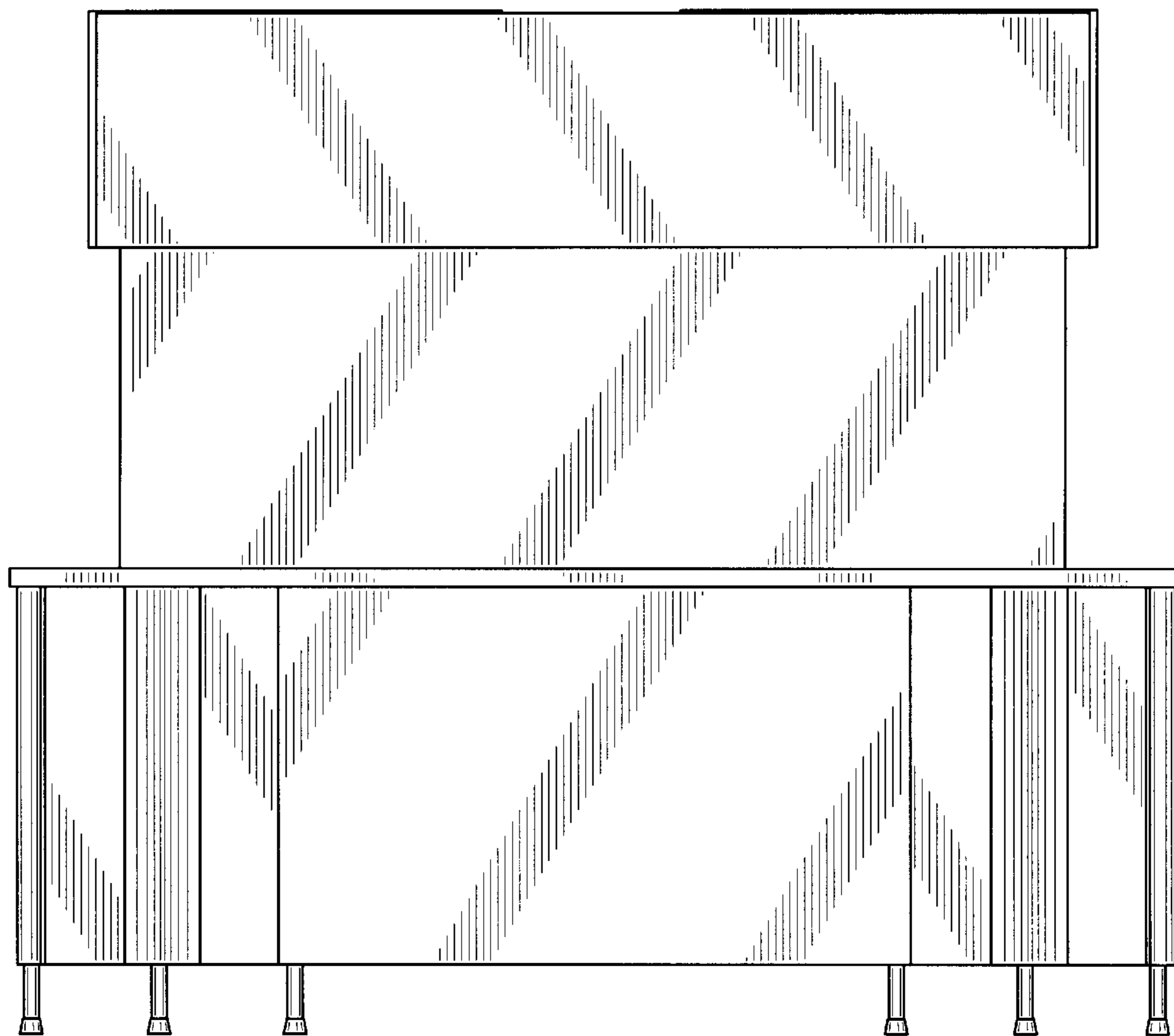


FIG. 6