

US00D524075S

(12) **United States Design Patent**  
**Jenkins**

(10) **Patent No.:** **US D524,075 S**  
(45) **Date of Patent:** **\*\* Jul. 4, 2006**

(54) **HANGING PLANTER ARRANGEMENT**

FOREIGN PATENT DOCUMENTS

(76) Inventor: **Ryan C. Jenkins**, 11652 Marble Arch Dr., Santa Ana, CA (US) 92705

GB 20703277 \* 3/1998

\* cited by examiner

(\*\*) Term: **14 Years**

*Primary Examiner*—Caron D. Veynar

*Assistant Examiner*—Garth Rademaker

(21) Appl. No.: **29/223,673**

(74) *Attorney, Agent, or Firm*—Harold L. Jackson

(22) Filed: **Feb. 16, 2005**

(57) **CLAIM**

The ornamental design for a hanging planter arrangement, as shown and described.

**Related U.S. Application Data**

(63) Continuation-in-part of application No. 29/217,077, filed on Nov. 12, 2004, now abandoned.

**DESCRIPTION**

(51) **LOC (8) Cl.** ..... **06-06**

FIG. 1 is a perspective view of a hanging planter arrangement showing my new design, with pots in broken line.

(52) **U.S. Cl.** ..... **D6/405**

FIG. 2 is a perspective view thereof with the broken-line pots removed.

(58) **Field of Classification Search** ..... D6/329, D6/403-405, 417, 537, 514, 548, 552, 556, D6/558; D7/300.2; D8/16, 366, 367, 370; D11/143, 144, 152, 164; D25/100; 47/32.7, 47/39, 41.01, 41.14, 44-47, 67, 70; 211/60.1, 211/85.23, 85.31, 125, 171, 196; 248/27.8, 248/121, 125.8, 153, 156, 175, 302-304, 248/339, 318, 530

FIG. 3 is a top plan view of one of the tiers thereof, shown at a reduced scale.

FIG. 4 is the middle tier of the hanging planter arrangement, shown at an enlarged scale and with a pot in broken line.

FIG. 5 is a side elevation view of the hanging planter arrangement, shown at an enlarged scale.

See application file for complete search history.

FIG. 6 is a second embodiment of the hanging planter arrangement.

FIG. 7 is a third embodiment of the hanging planter arrangement.

(56) **References Cited**

**U.S. PATENT DOCUMENTS**

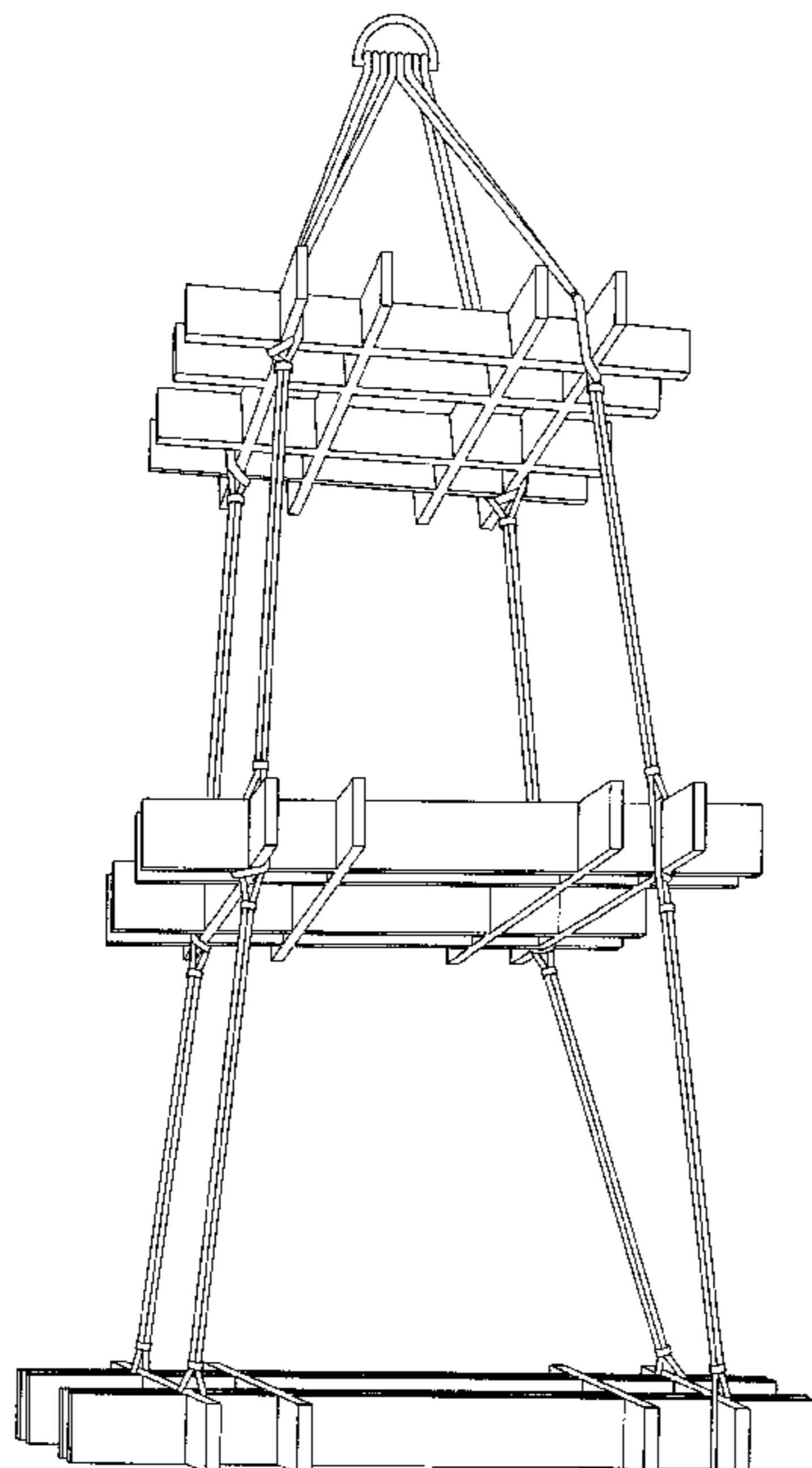
365,060	A	*	6/1887	Eulass	.....	D8/370
1,749,497	A	*	3/1930	McGlashan	.....	47/67
D247,838	S	*	5/1978	Jones et al.	.....	D6/514
4,159,094	A	*	6/1979	Stekoll et al.	.....	248/318
4,181,234	A	*	1/1980	Feighan	.....	47/67
4,506,475	A	*	3/1985	Elliott	.....	47/67
5,503,587	A	*	4/1996	Mellen	.....	248/318
D416,409	S	*	11/1999	Matthews et al.	.....	D6/514
6,758,010	B1	*	7/2004	Wright	.....	248/318

FIG. 8 is a fourth embodiment of the hanging planter arrangement; and,

FIG. 9 is the bottom tier of second, third, and fourth embodiments shown at an enlarged scale and with a pot in broken line.

The broken lines showing of flower pots in FIGS. 1, 4, and 9 and the broken line circles in FIGS. 4 and 9 are for illustrative purposes only and forms no part of the claimed design.

**1 Claim, 8 Drawing Sheets**



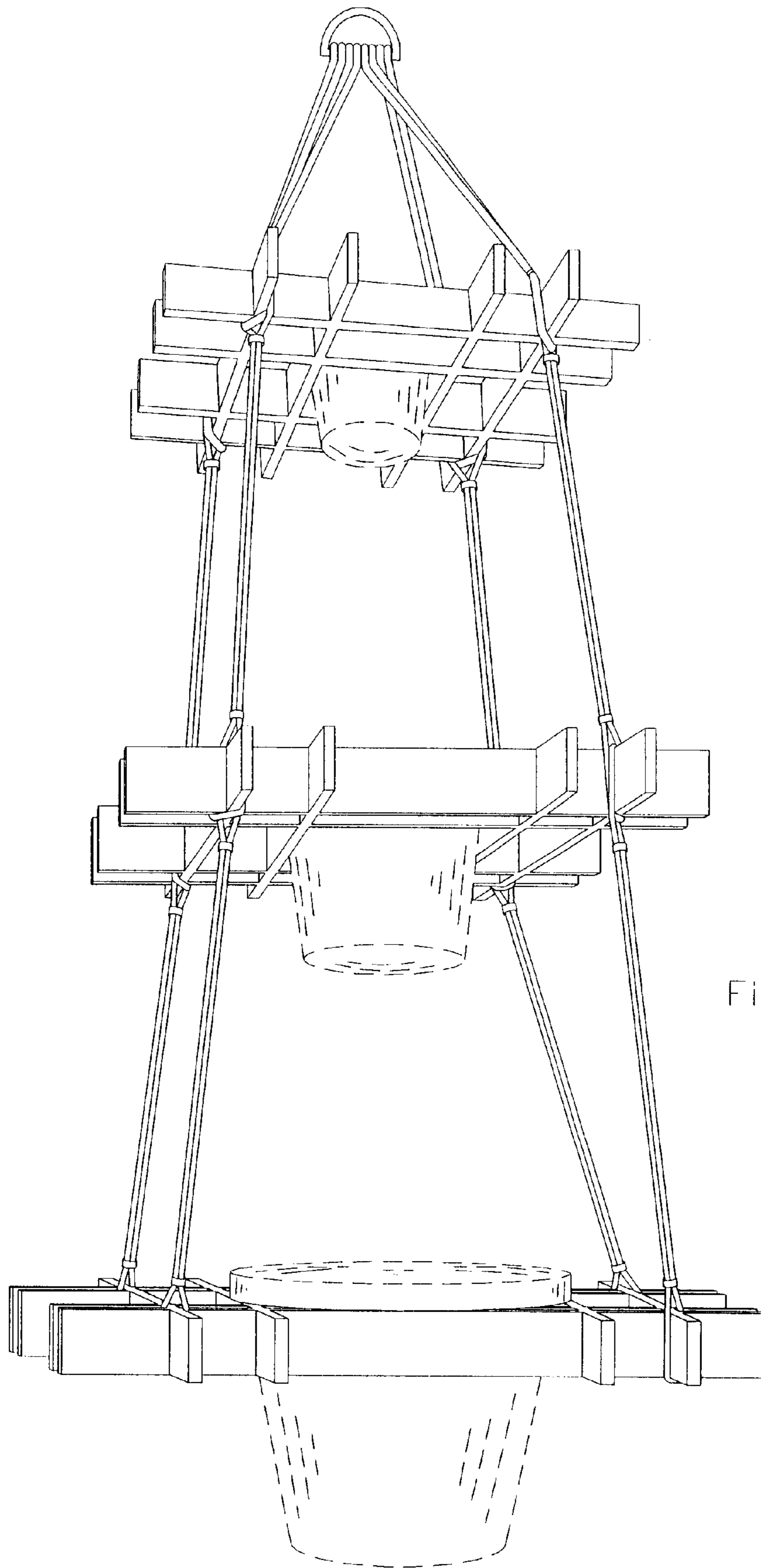


Figure 1

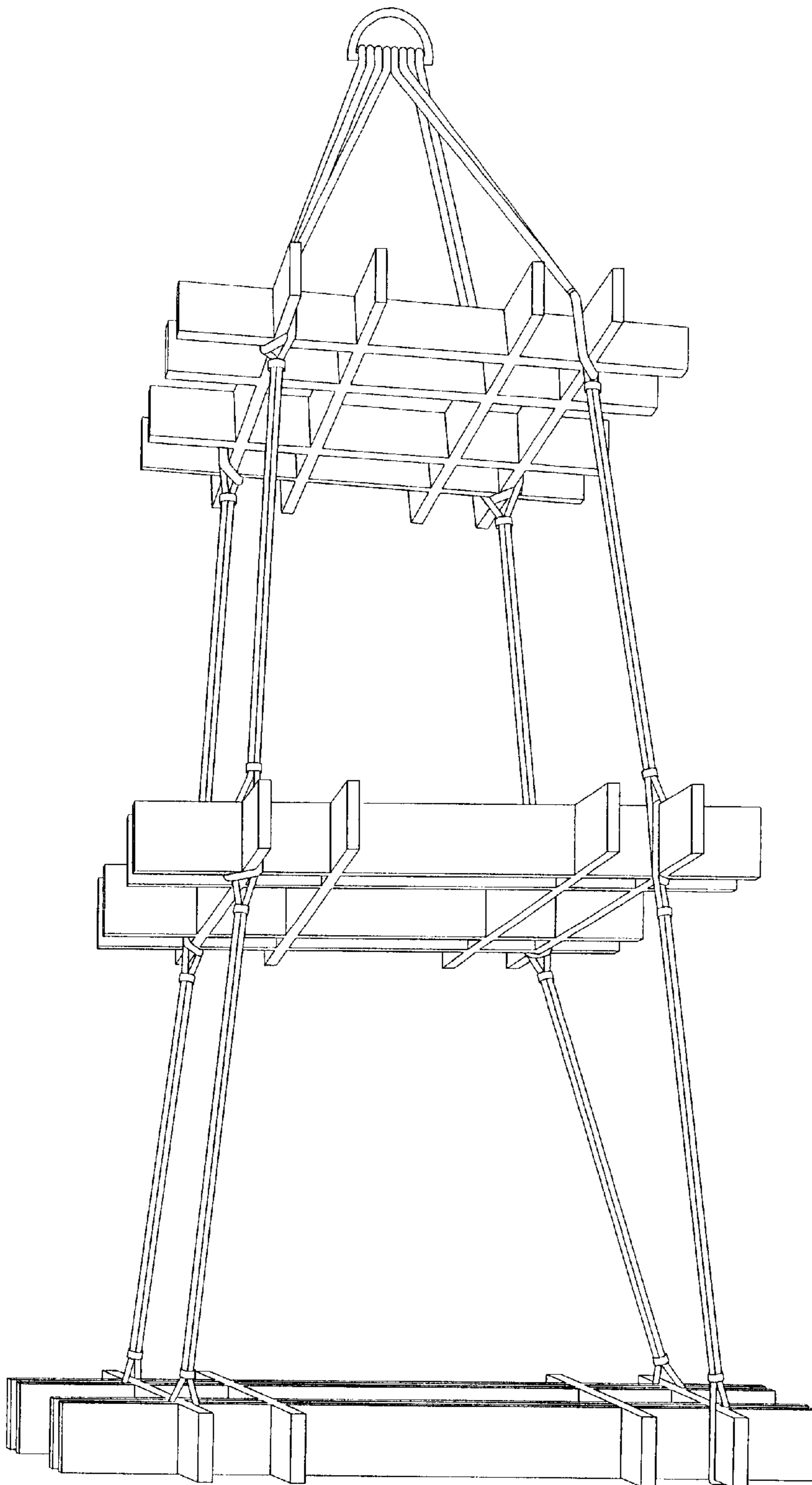


Figure 2

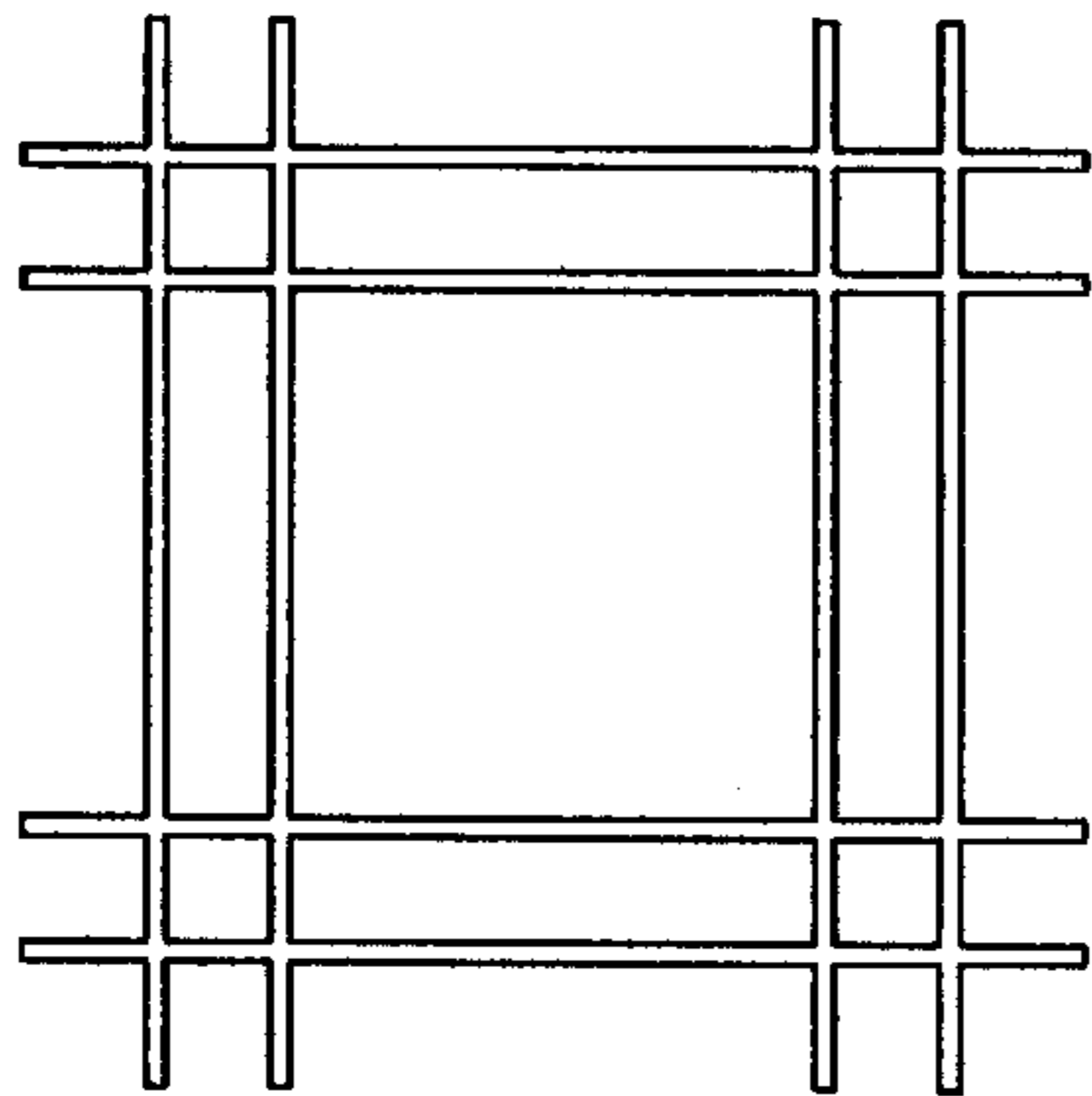


Figure 3

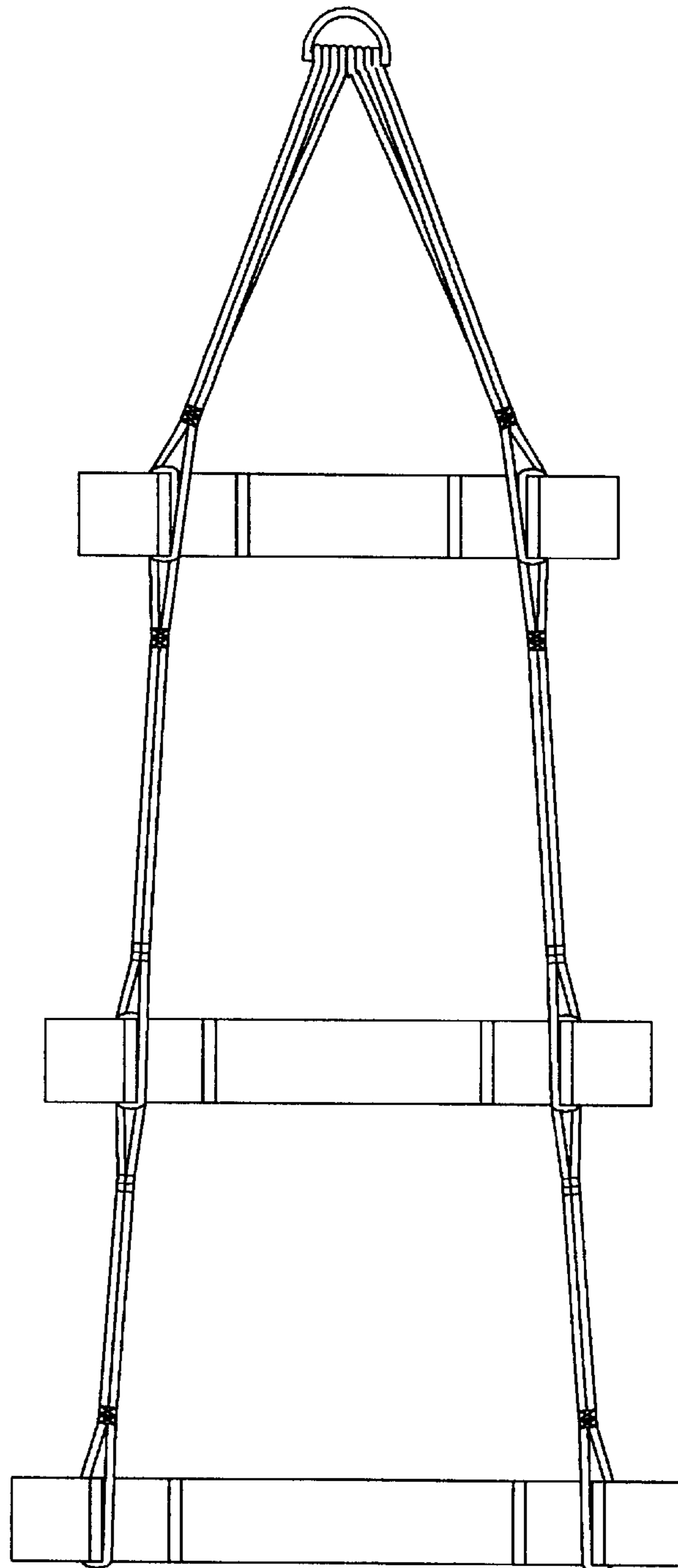


Figure 5

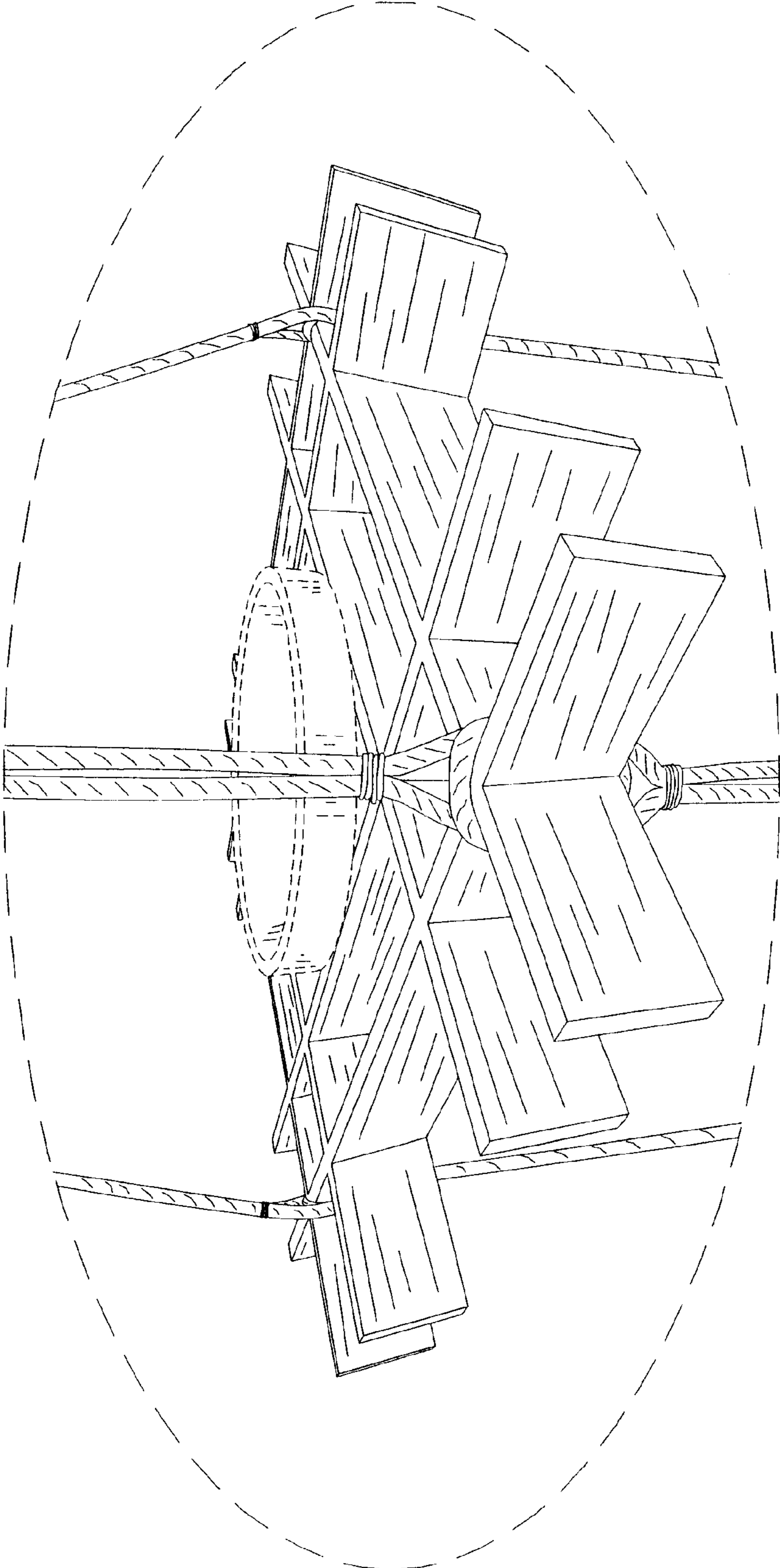


Figure 4

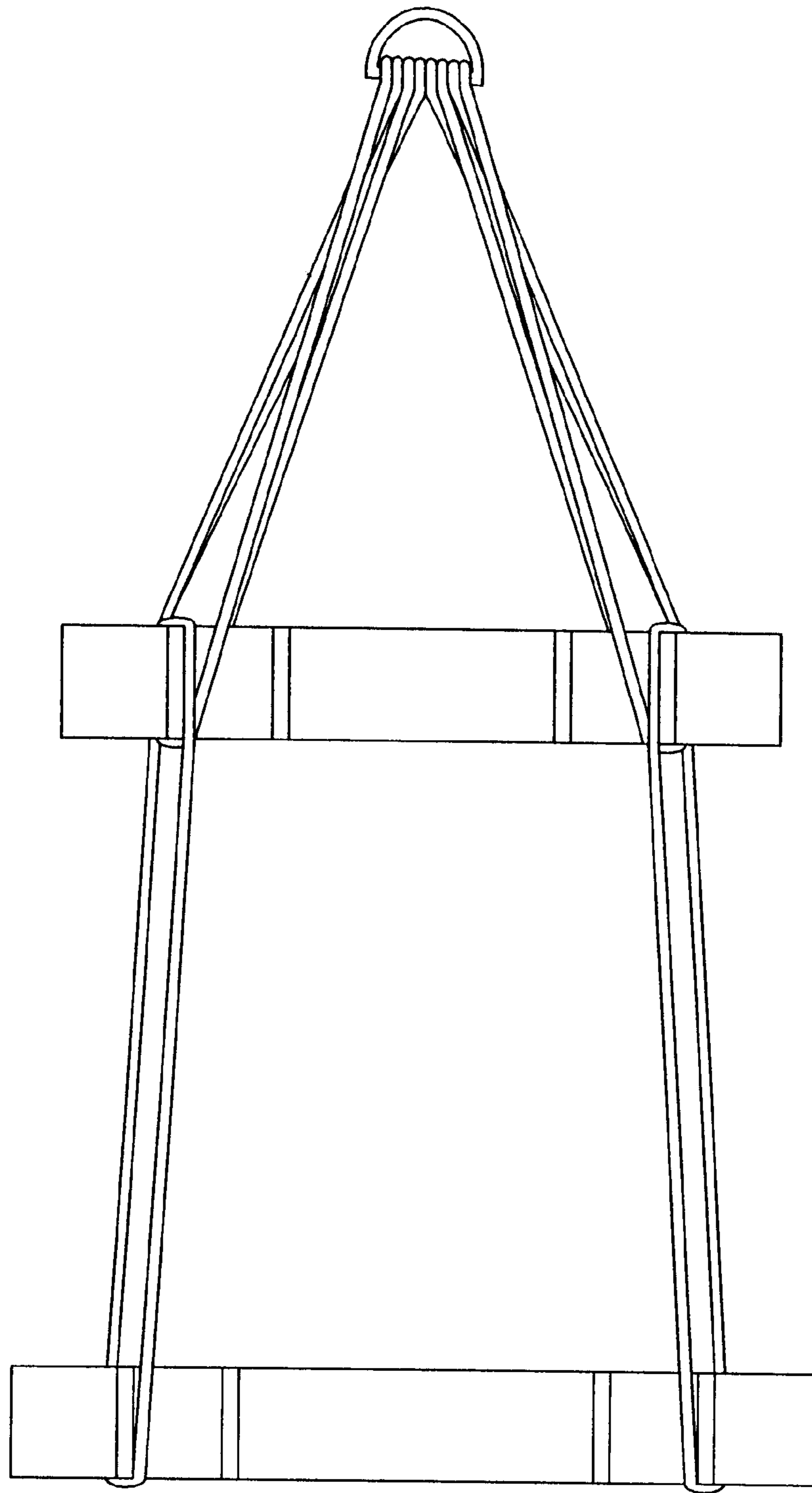


Figure 6

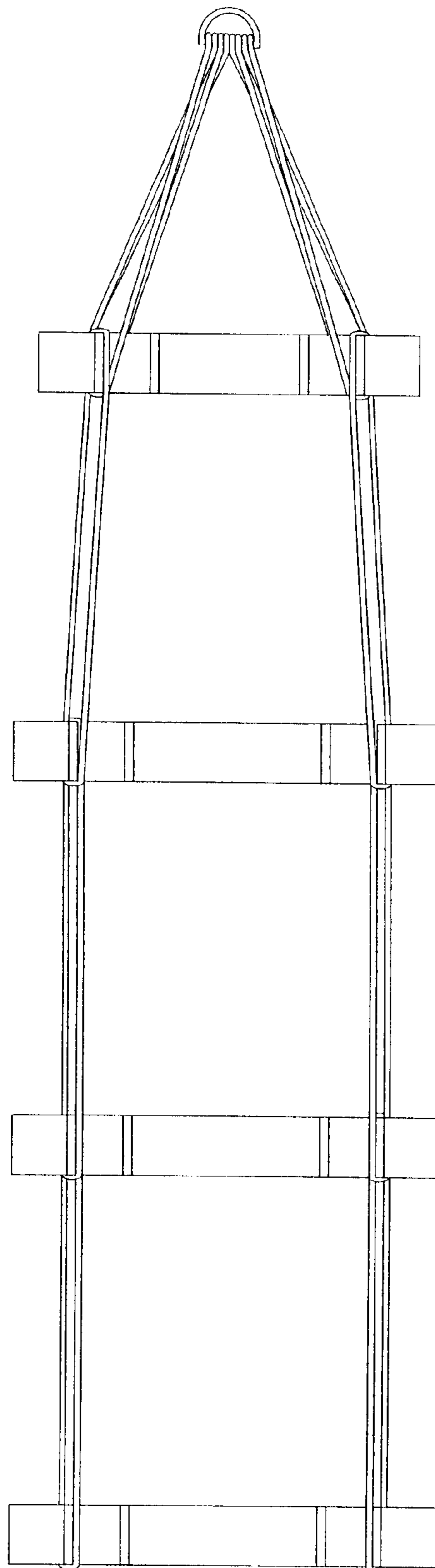


Figure 7

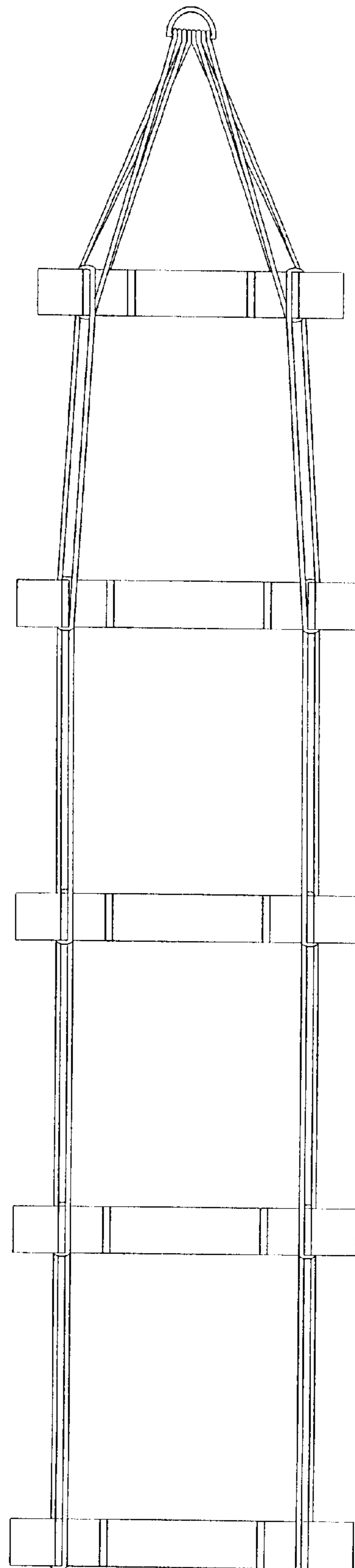


Figure 8



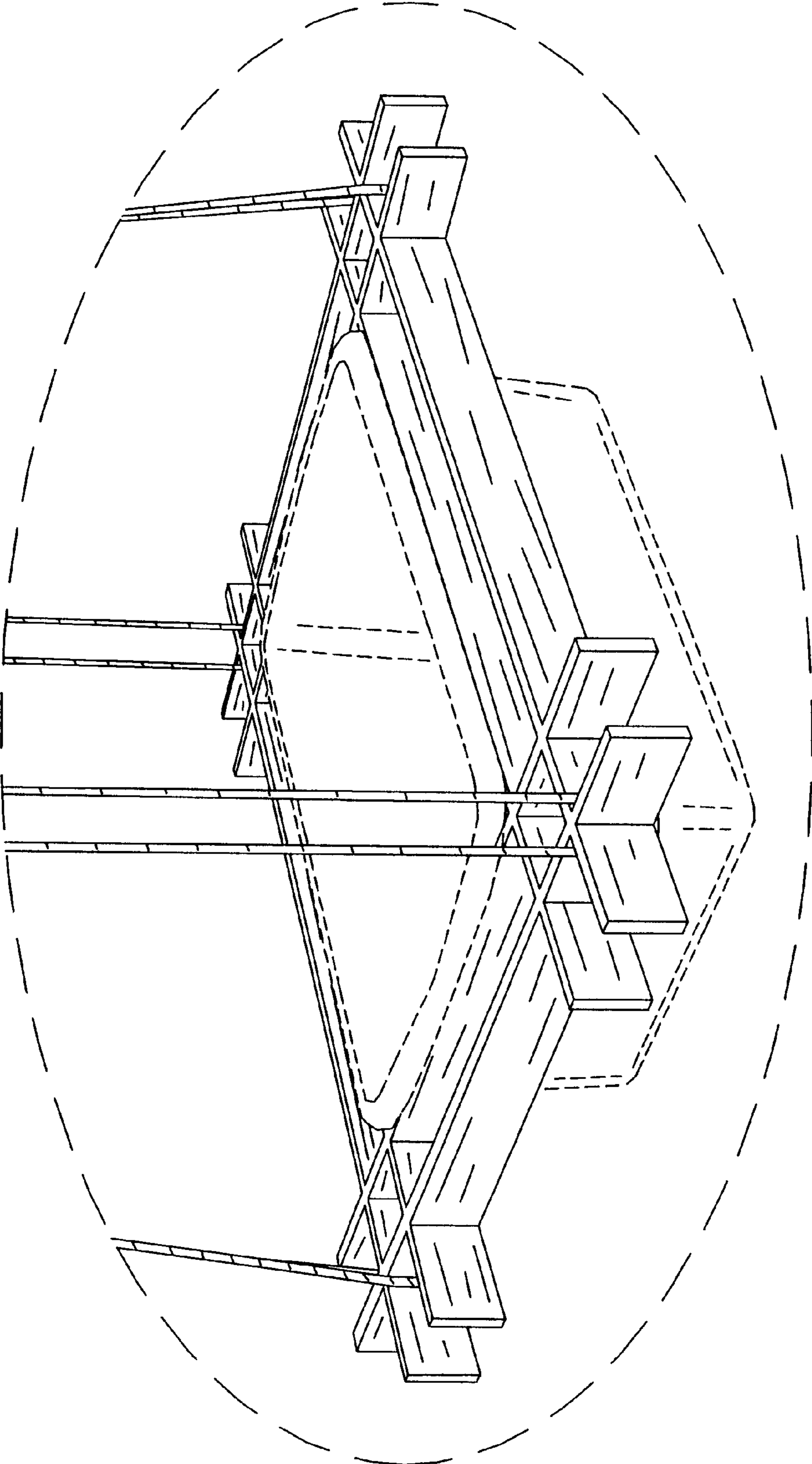


Figure 9