

US00D524074S

(12) **United States Design Patent**
Mohundro

(10) **Patent No.:** **US D524,074 S**

(45) **Date of Patent:** **** Jul. 4, 2006**

(54) **BED**

(76) **Inventor:** **James Glenn Mohundro**, 3F-4 No.
161, Kung-I Road, Taichung City (TW)

(**) **Term:** **14 Years**

(21) **Appl. No.:** **29/218,804**

(22) **Filed:** **Dec. 8, 2004**

(51) **LOC (8) Cl.** **06-01**

(52) **U.S. Cl.** **D6/393**

(58) **Field of Classification Search** D6/382,
D6/388, 389, 393-395, 505-508; 5/53.1,
5/279.1, 280, 281, 310, 907
See application file for complete search history.

(56) **References Cited**

U.S. PATENT DOCUMENTS

D41,640 S * 8/1911 Moore D6/395
D243,987 S * 4/1977 Carter D6/507

D392,811 S * 3/1998 Bergelin D6/393
D466,716 S * 12/2002 Tobin, Jr. D6/393
D488,317 S * 4/2004 Wanek et al. D6/393
D503,295 S * 3/2005 O'Hare D6/393

* cited by examiner

Primary Examiner—Janice E. Seeger

(57) **CLAIM**

The ornamental design for a bed, as shown and described.

DESCRIPTION

FIG. 1 is a perspective view of a bed, showing my new design;

FIG. 2 is a front elevational view thereof;

FIG. 3 is a rear elevational view thereof;

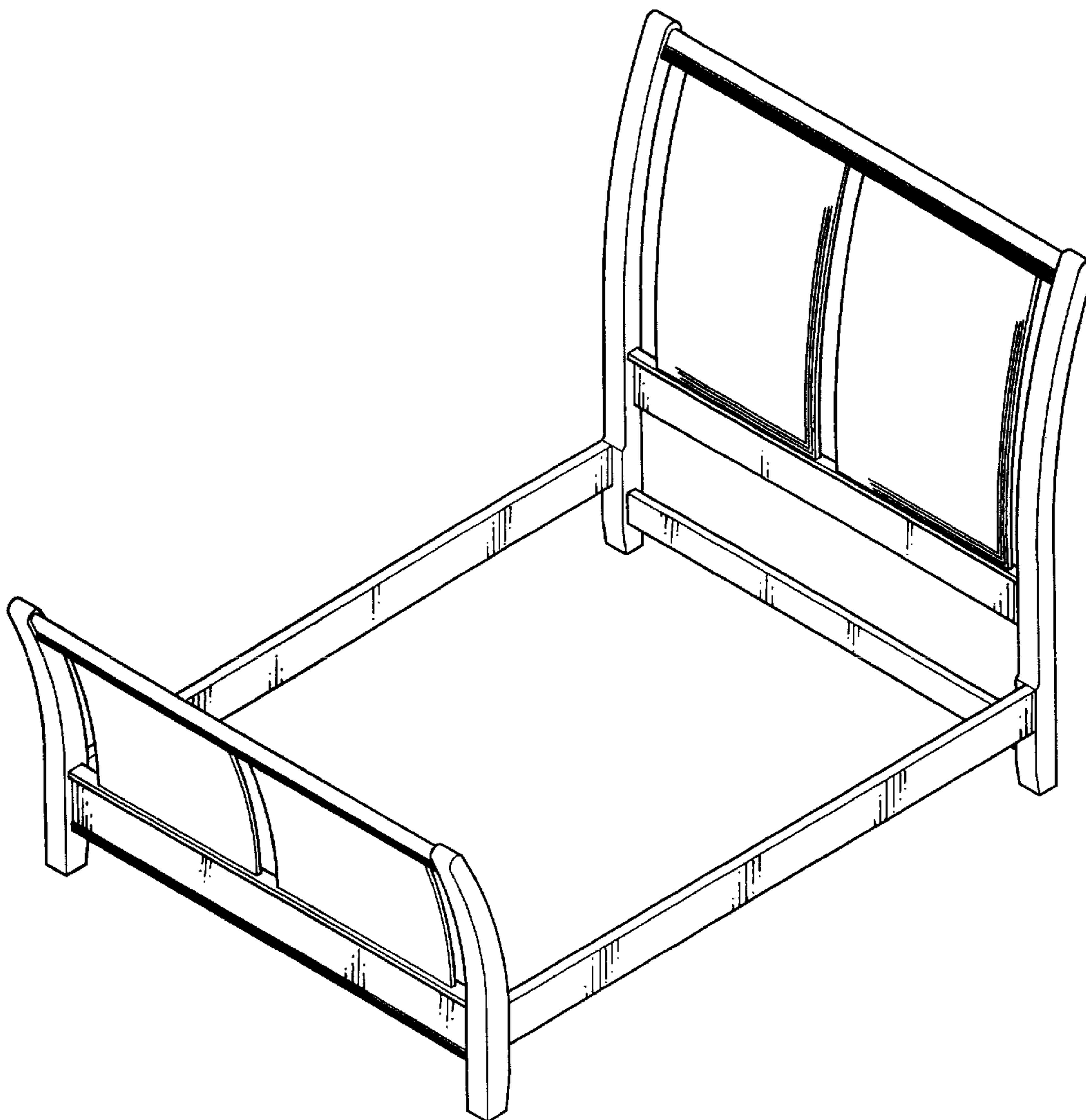
FIG. 4 is a left elevational view thereof; and

FIG. 5 is a right elevational view thereof;

FIG. 6 is a top plan view thereof; and,

FIG. 7 is a bottom plan view thereof.

1 Claim, 7 Drawing Sheets



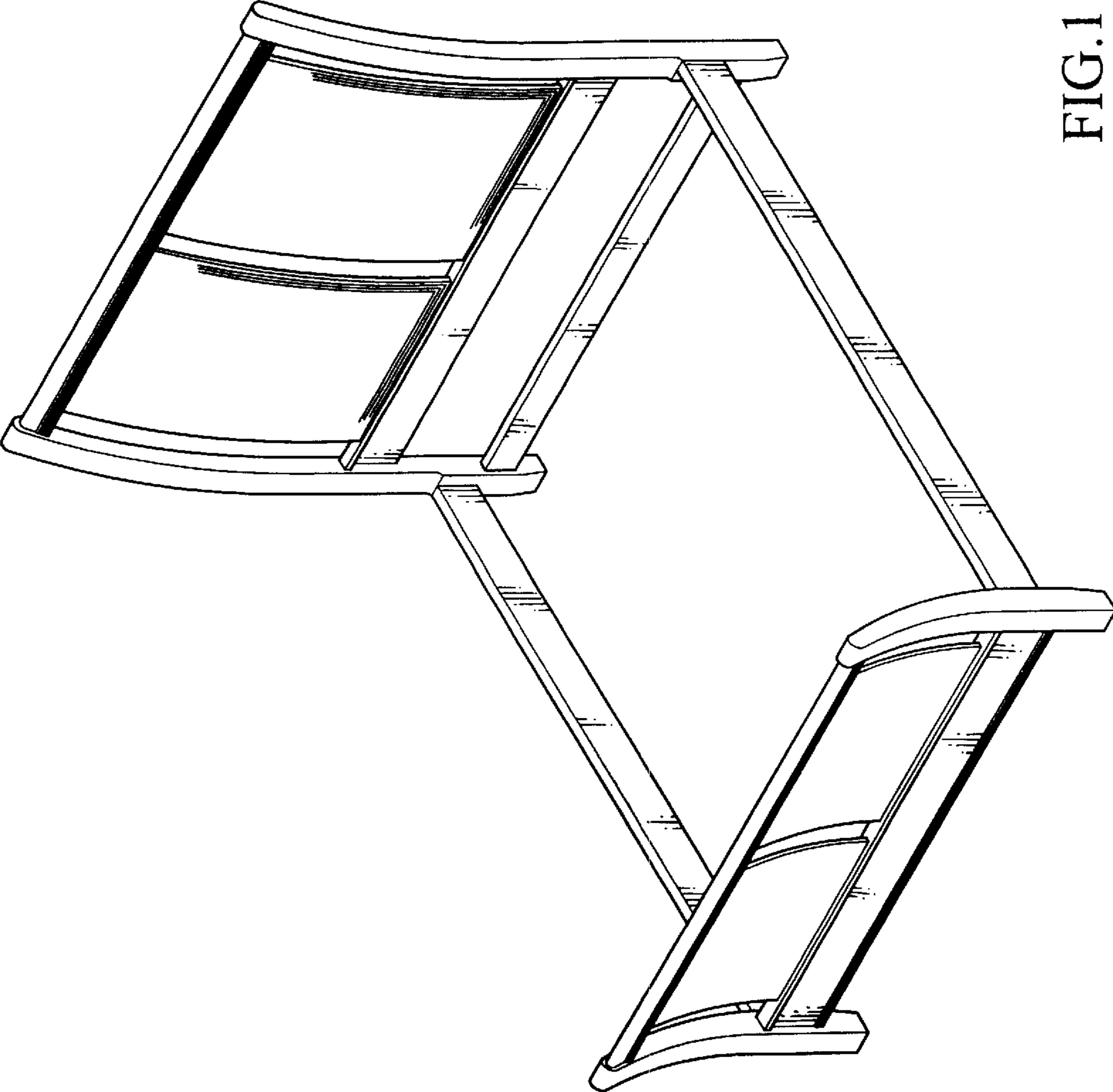


FIG. 1

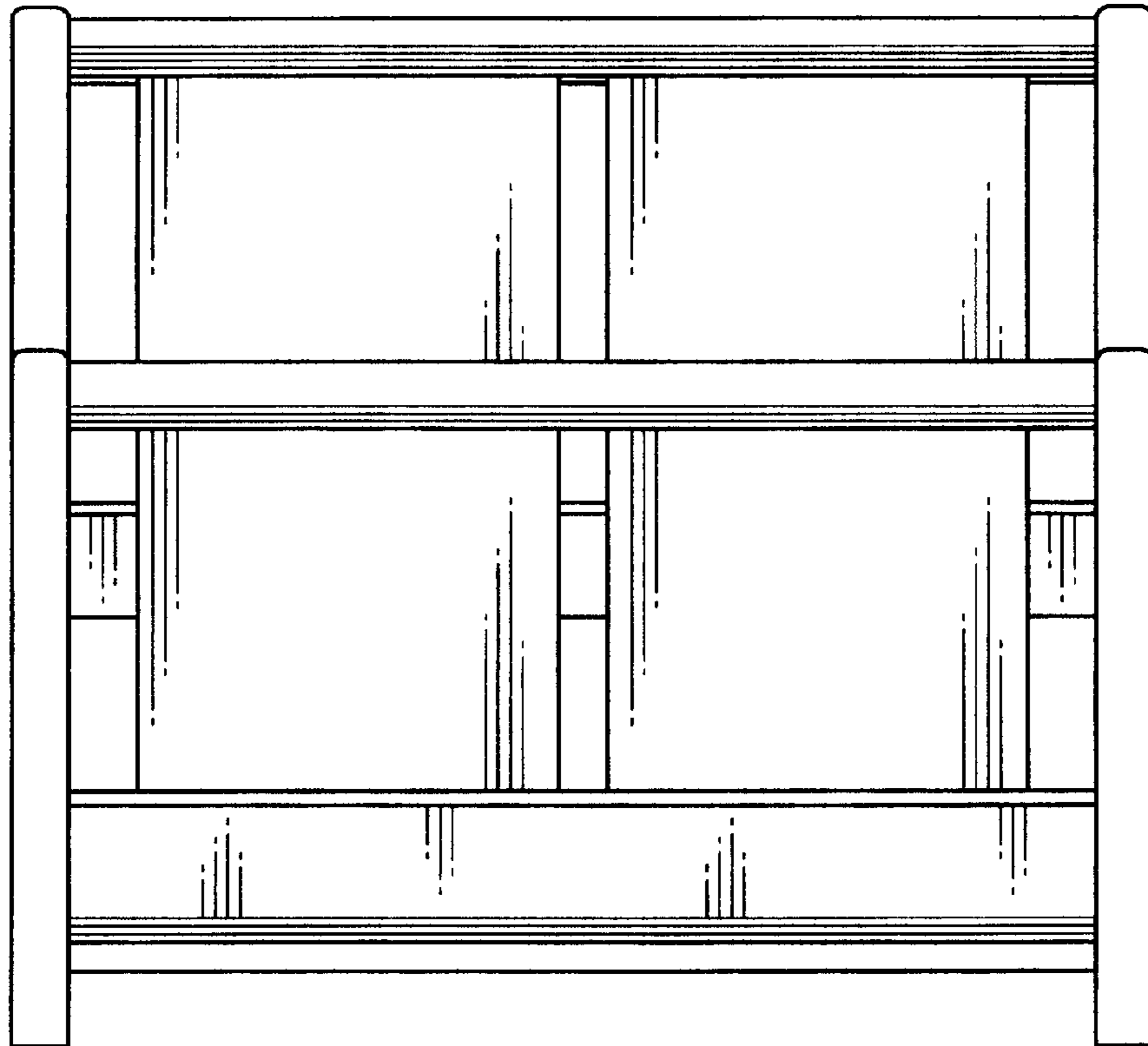


FIG.2

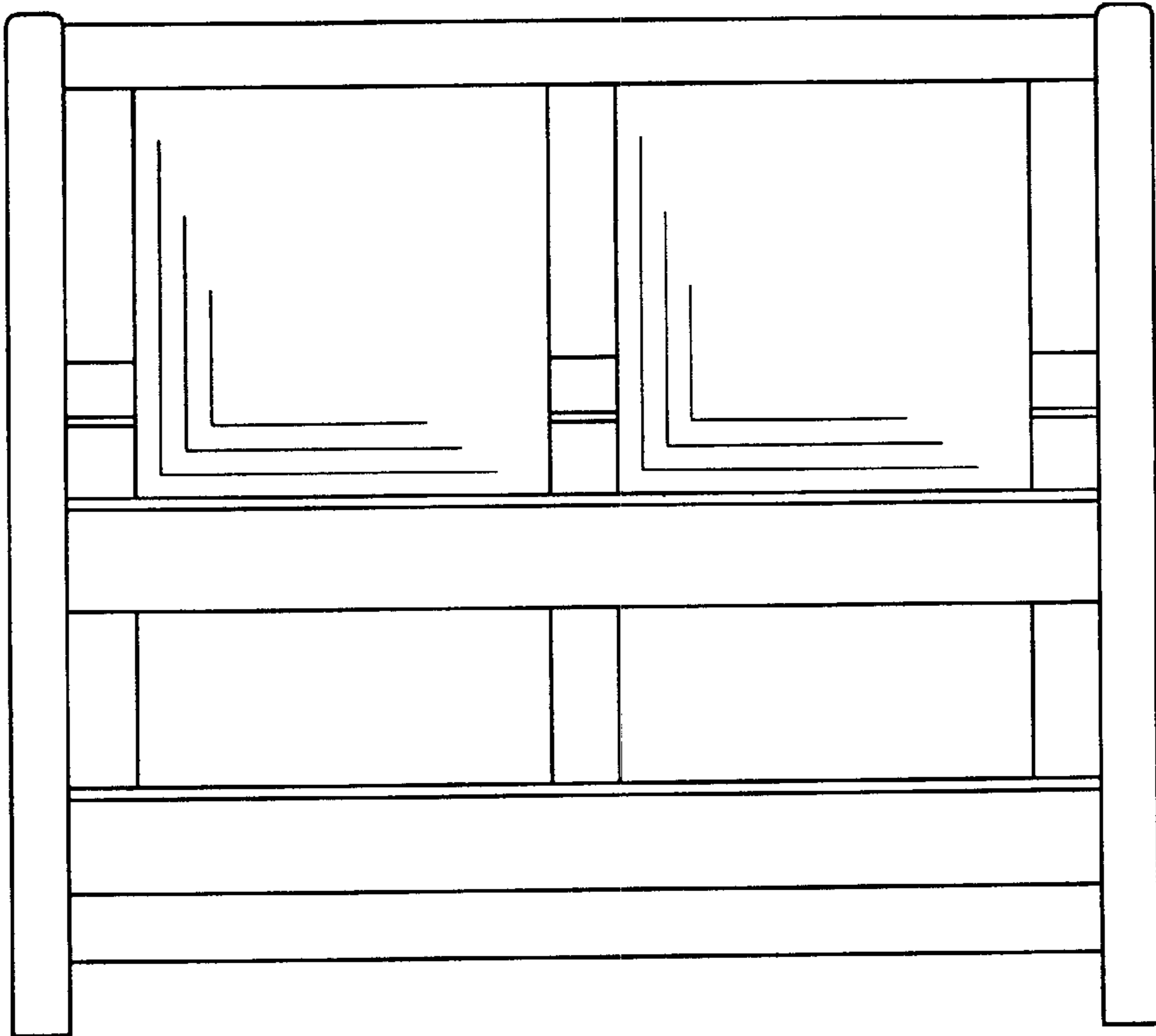


FIG.3

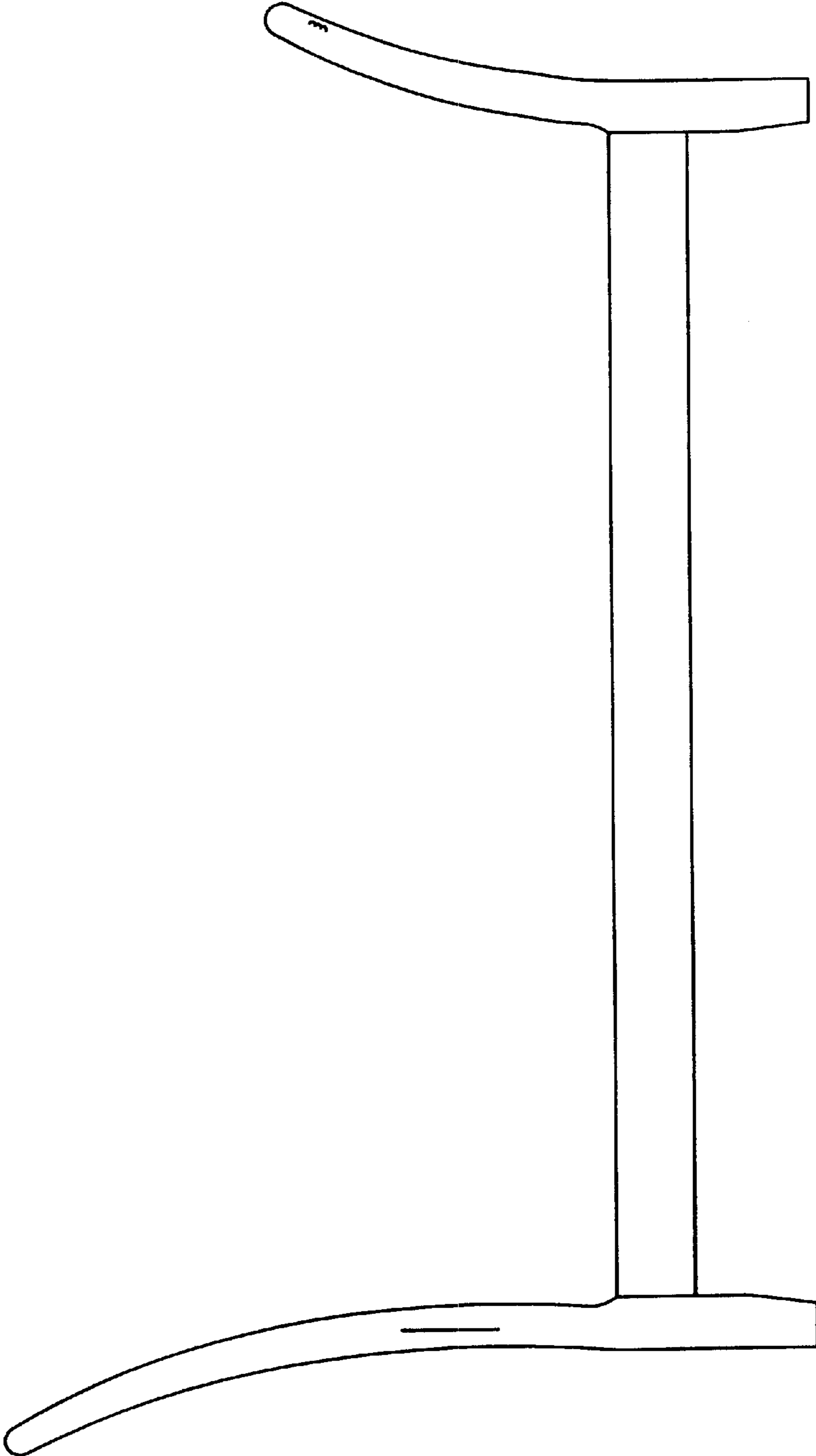


FIG.4

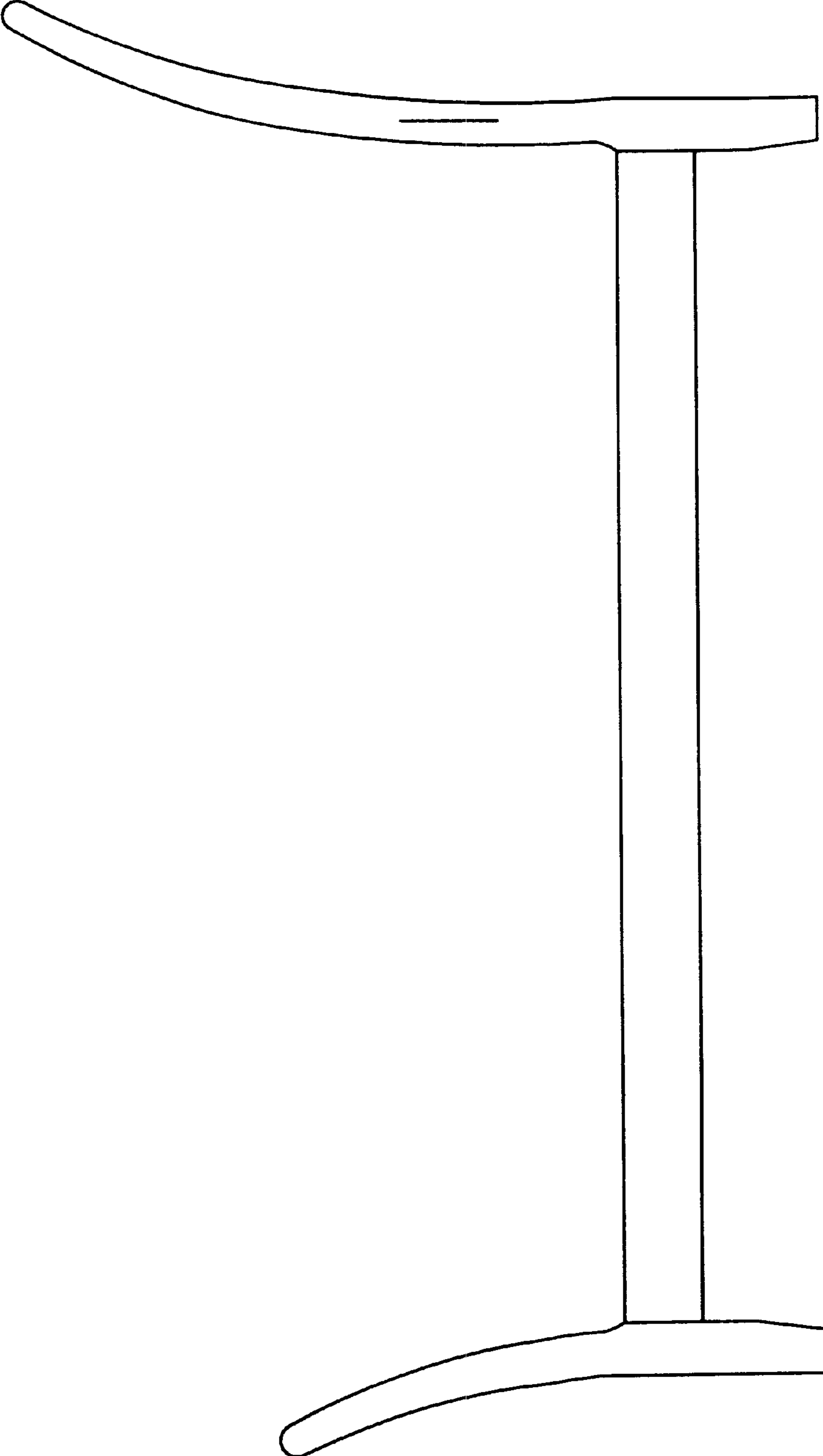


FIG. 5

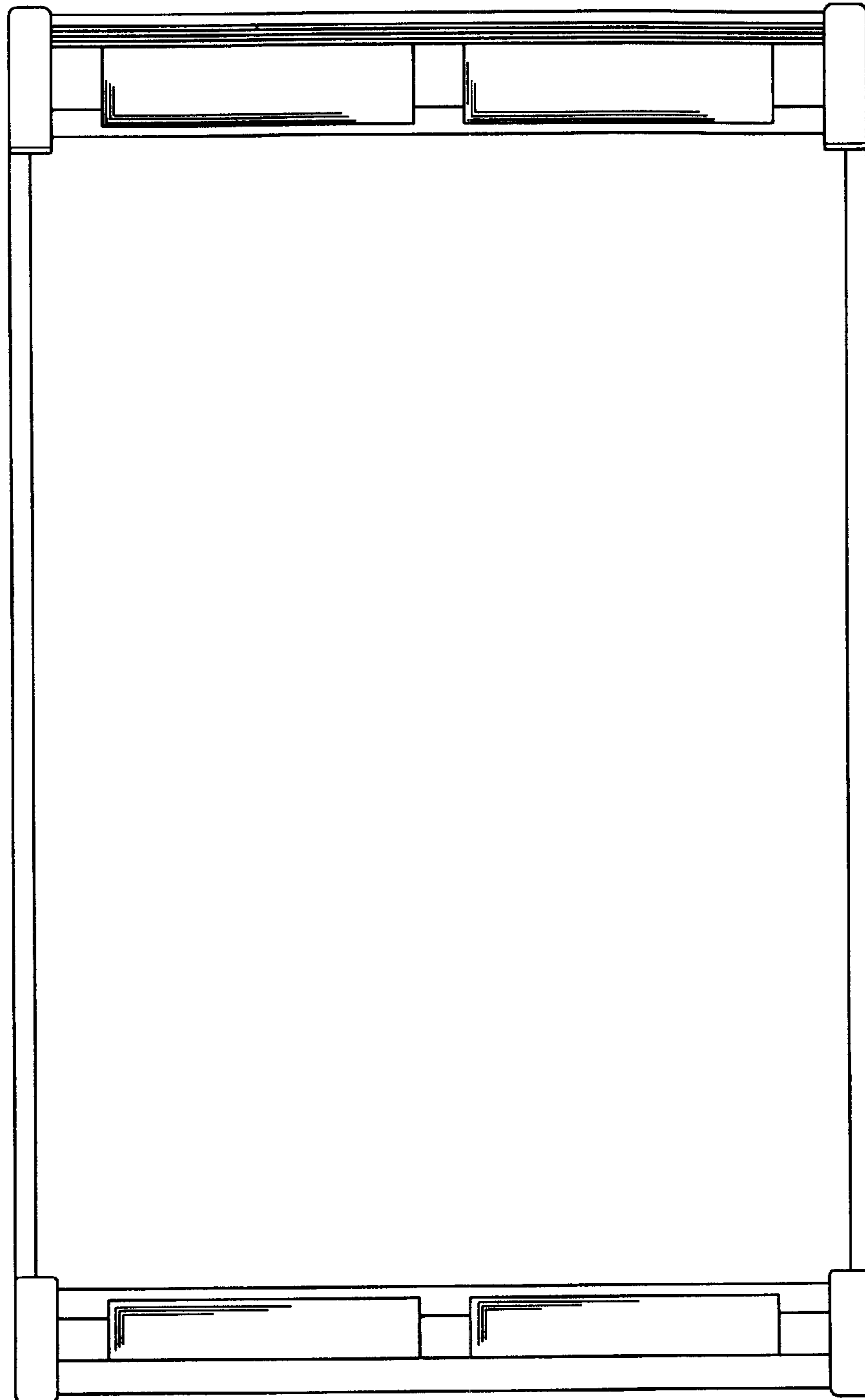


FIG.6

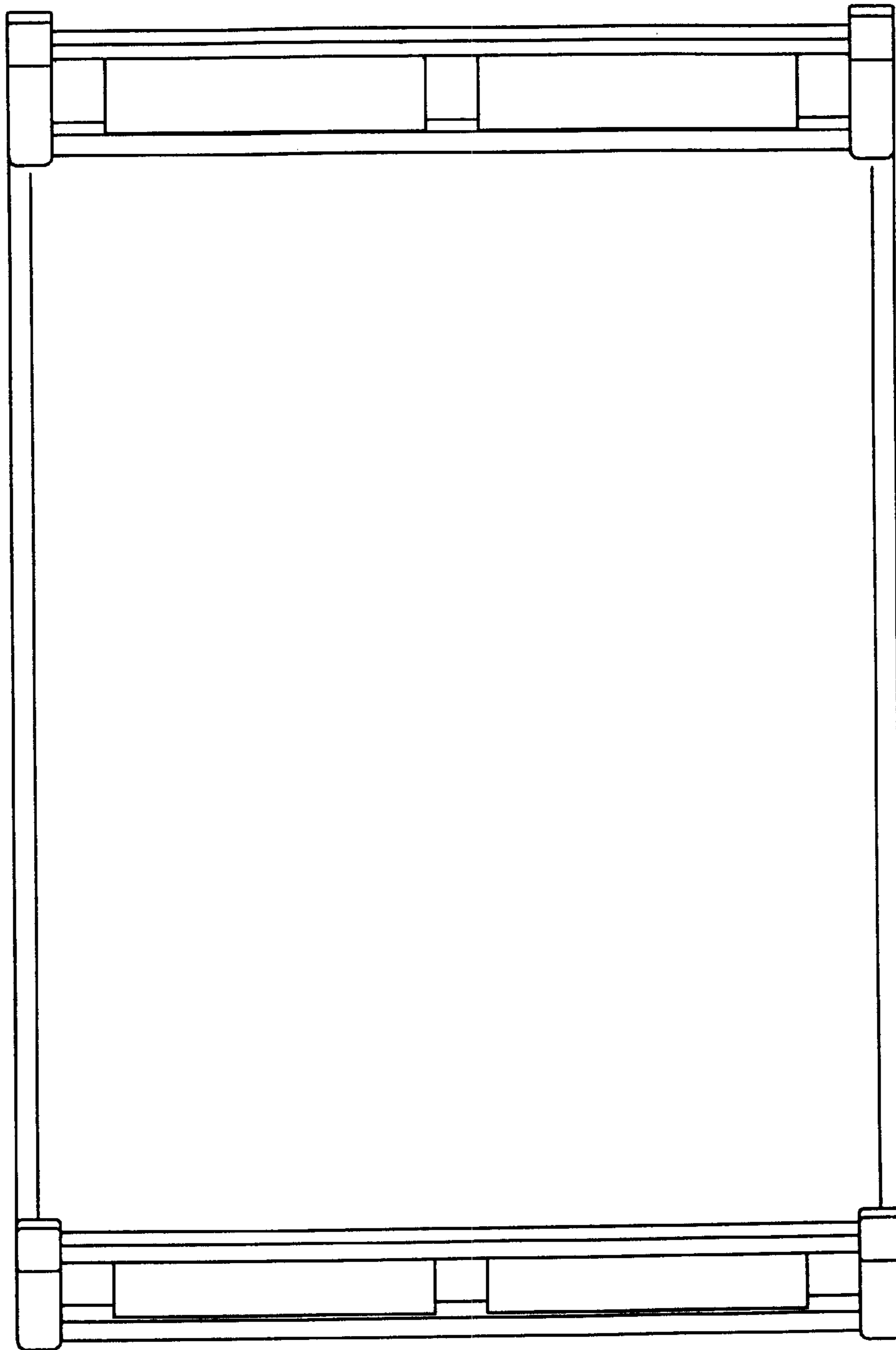


FIG.7