

US00D524069S

(12) **United States Design Patent**  
**Lim**

(10) **Patent No.:** **US D524,069 S**

(45) **Date of Patent:** **\*\* Jul. 4, 2006**

(54) **STEP STOOL**

(75) Inventor: **Gary M. Lim**, Palos Verdes Estates,  
CA (US)

(73) Assignee: **Seville Classics, Inc.**, Los Angeles, CA  
(US)

(\*\*) Term: **14 Years**

(21) Appl. No.: **29/223,619**

(22) Filed: **Feb. 16, 2005**

(51) **LOC (8) Cl.** ..... **06-01**

(52) **U.S. Cl.** ..... **D6/350**

(58) **Field of Classification Search** ..... D6/334-339,  
D6/349, 352, 364-366, 353, 369, 370, 495,  
D6/500-502, 358, 351, 345, 350; 5/12.1;  
297/445.1, 232, 446.1, 447.3, 448.1, 452.1,  
297/461, 462; 312/235.9; 215/316, 328; D9/443;  
D3/24; D8/358, 359; D22/140, 137; D14/484;  
137/355.26, 355.27; 182/15, 33, 132

See application file for complete search history.

(56) **References Cited**

**U.S. PATENT DOCUMENTS**

D184,390 S \* 2/1959 Cramer ..... D6/350  
D197,842 S \* 3/1964 Keller ..... D6/350

D216,508 S \* 1/1970 Dottinger ..... D6/350  
3,559,761 A \* 2/1971 Wehner ..... 182/15  
3,599,750 A \* 8/1971 Serwer ..... 182/15  
3,721,315 A \* 3/1973 Wehner ..... 182/15  
D237,872 S \* 12/1975 Miller ..... D34/18  
D244,494 S \* 5/1977 Dottinger ..... D6/350  
D262,419 S 12/1981 Cramer  
D337,211 S \* 7/1993 Bergkvist ..... D6/349  
D359,863 S \* 7/1995 Marlor ..... D6/451

\* cited by examiner

*Primary Examiner*—Sandra S. Snapp

(74) *Attorney, Agent, or Firm*—Raymond Sun

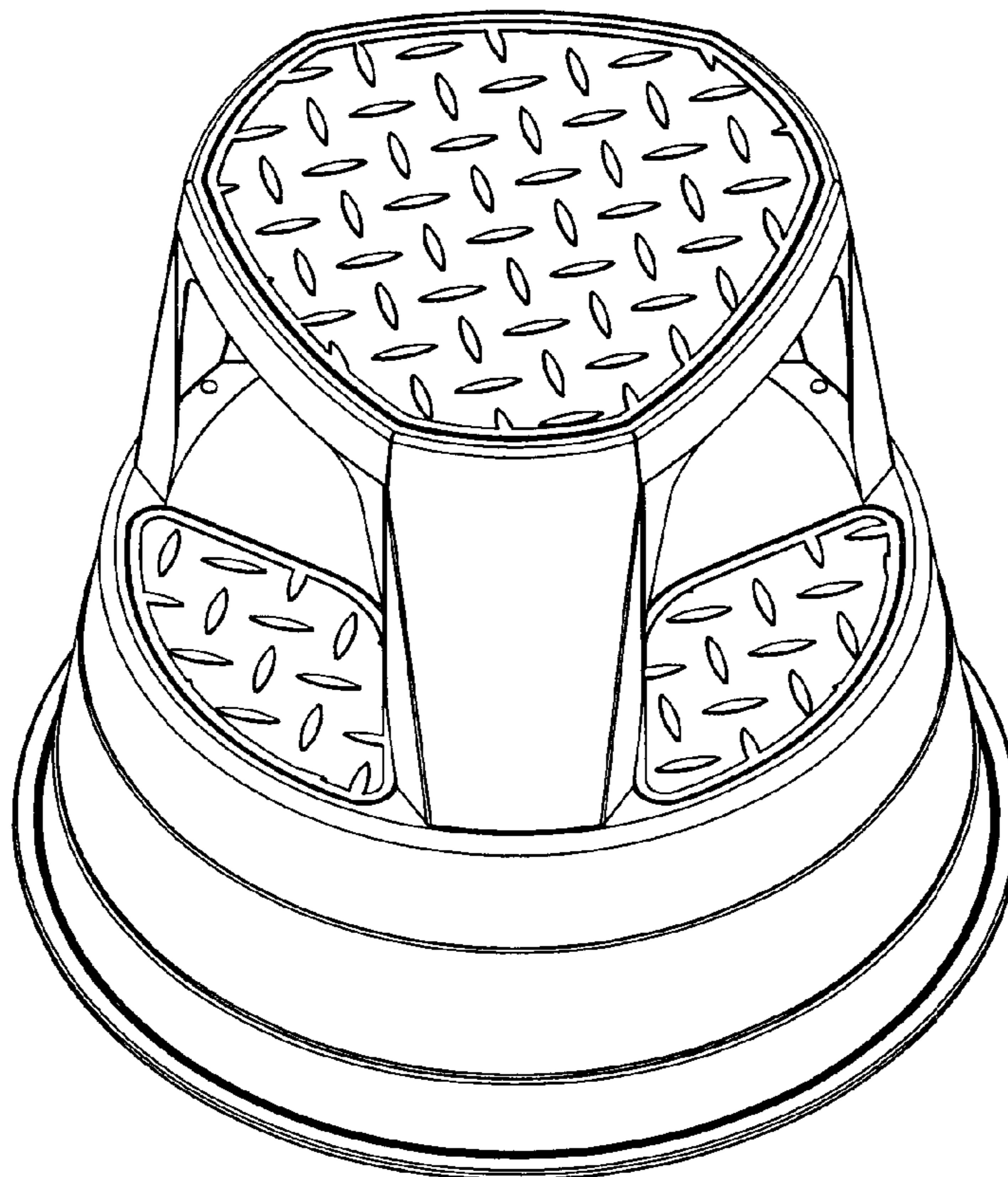
(57) **CLAIM**

The ornamental design for the step stool, as shown and described.

**DESCRIPTION**

FIG. 1 is a perspective view of the step stool;  
FIG. 2 is a top plan view of the step stool of FIG. 1;  
FIG. 3 is a bottom plan view of the step stool of FIG. 1;  
FIG. 4 is a front elevation view of the step stool of FIG. 1;  
FIG. 5 is a rear elevation view of the step stool of FIG. 1;  
and,  
FIG. 6 is a left side elevation view of the step stool of FIG. 1, the right side elevation view being a mirror image thereof.

**1 Claim, 6 Drawing Sheets**



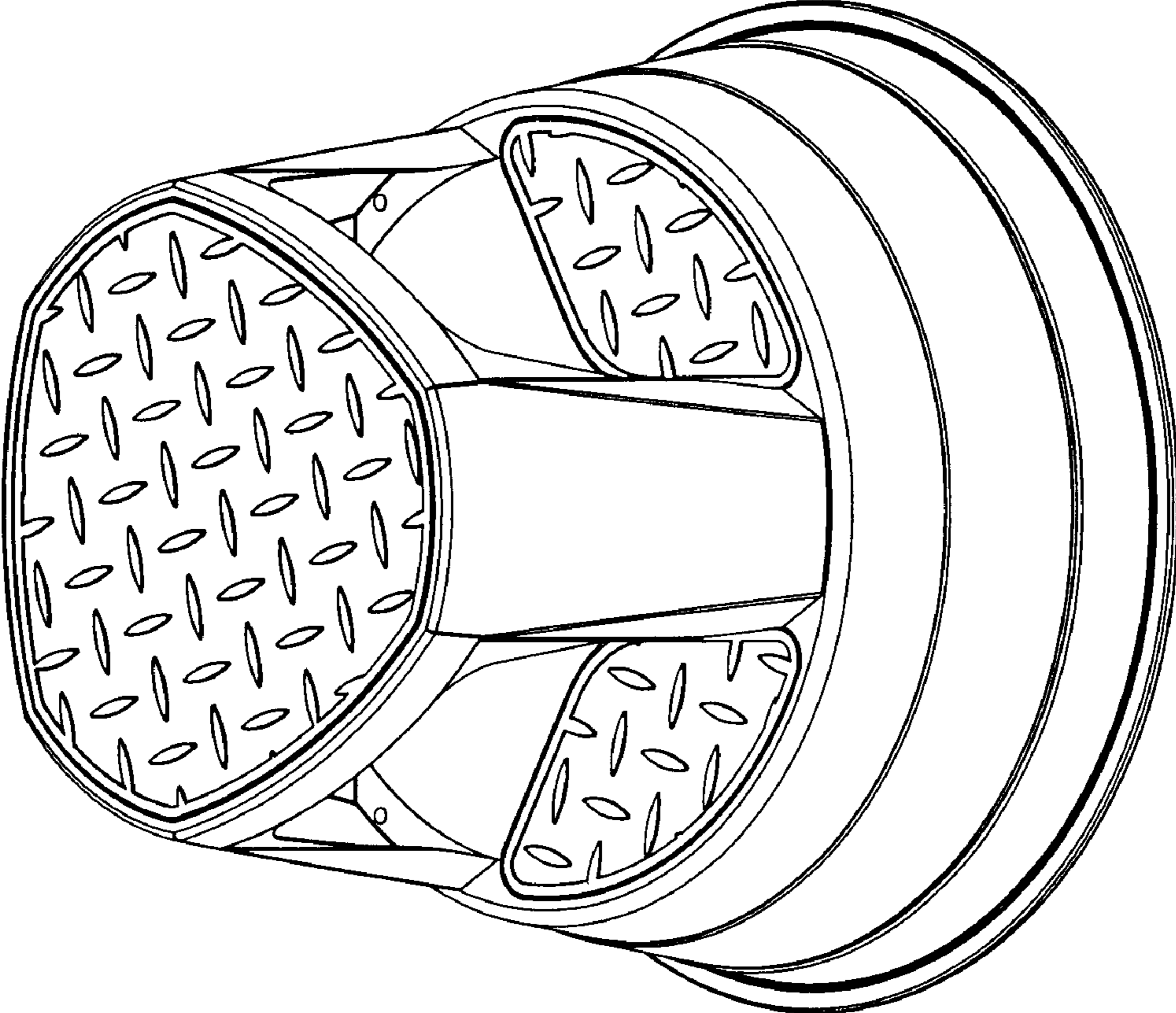


FIG. 1

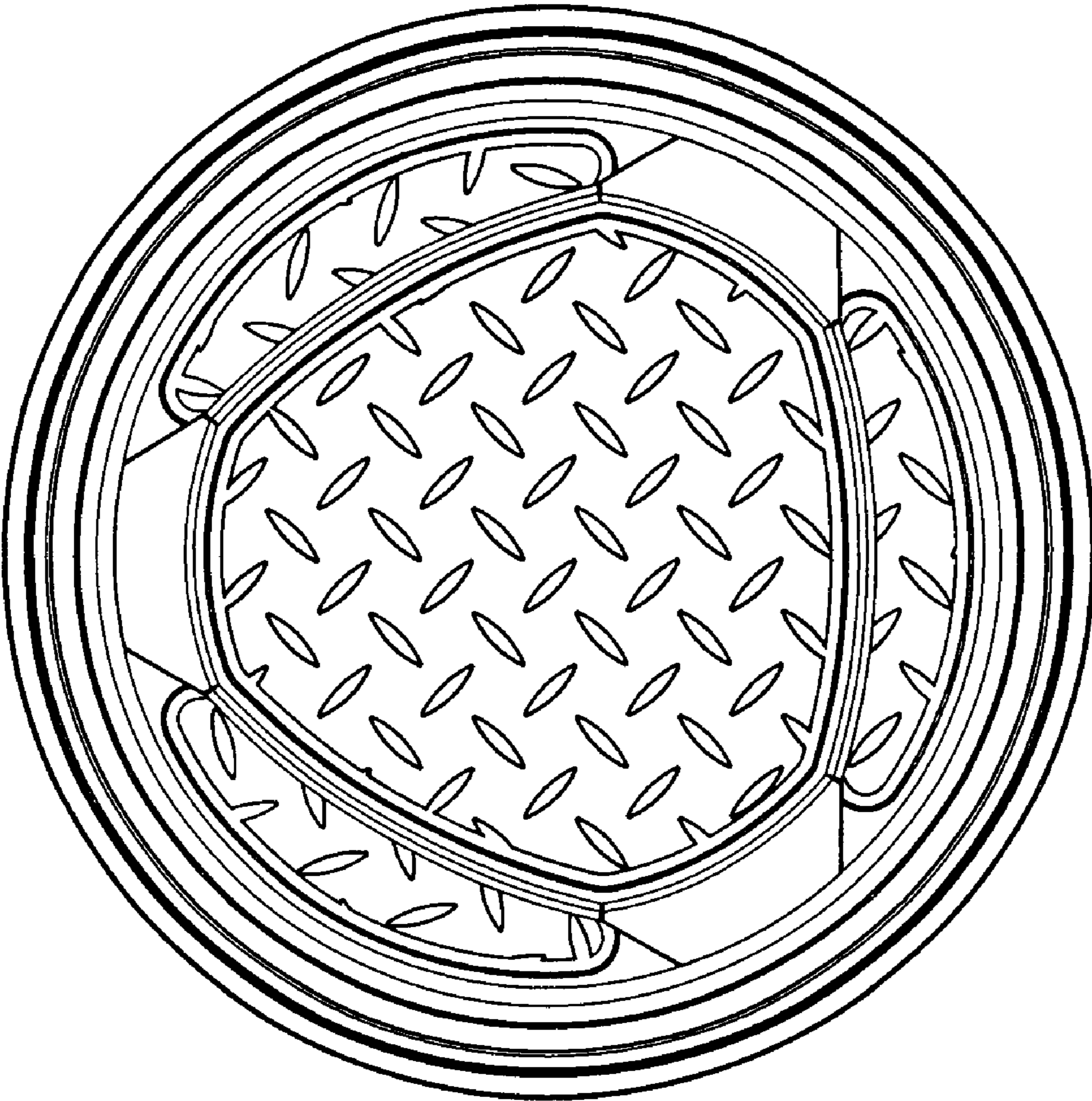


FIG. 2

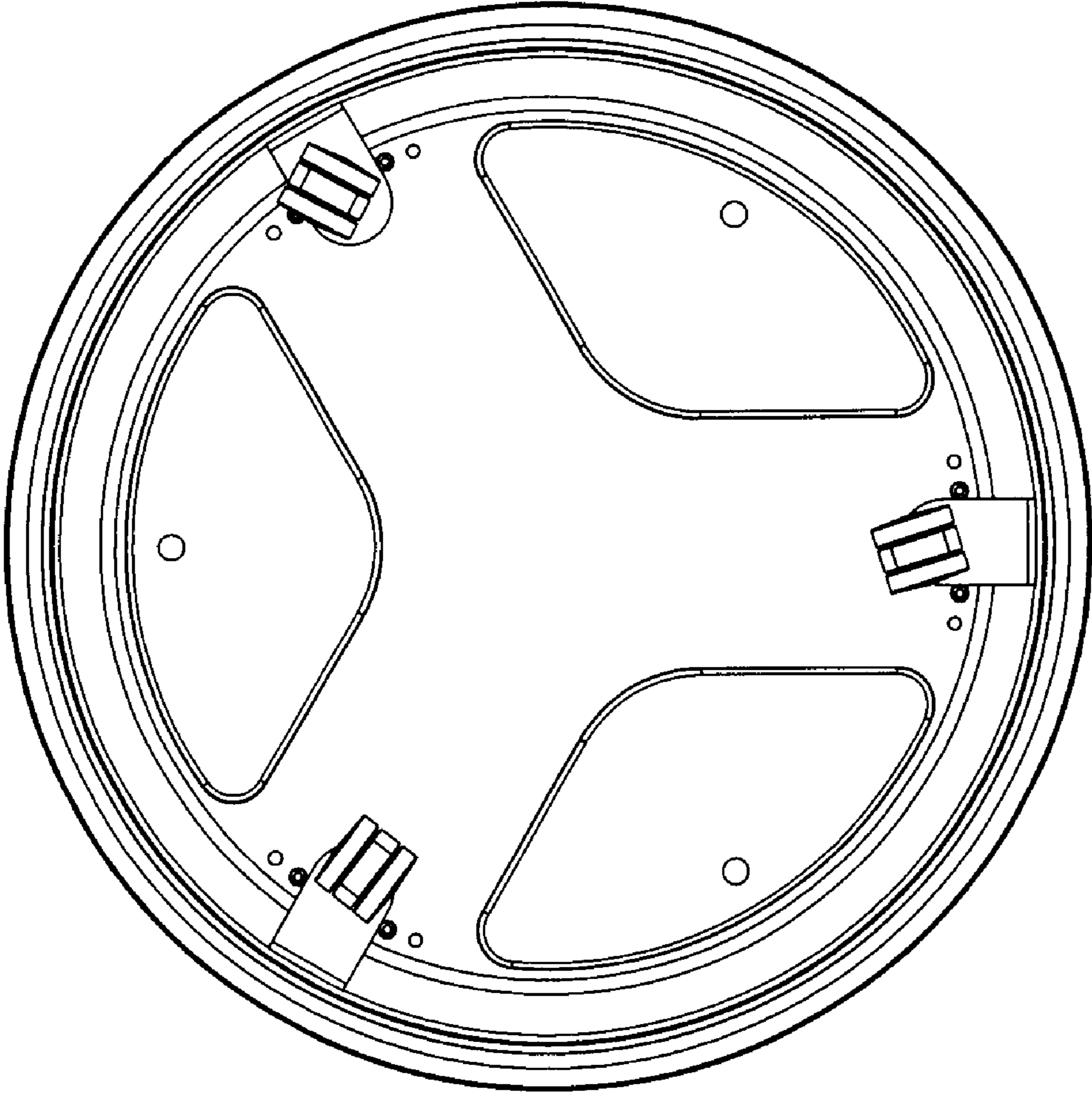


FIG. 3

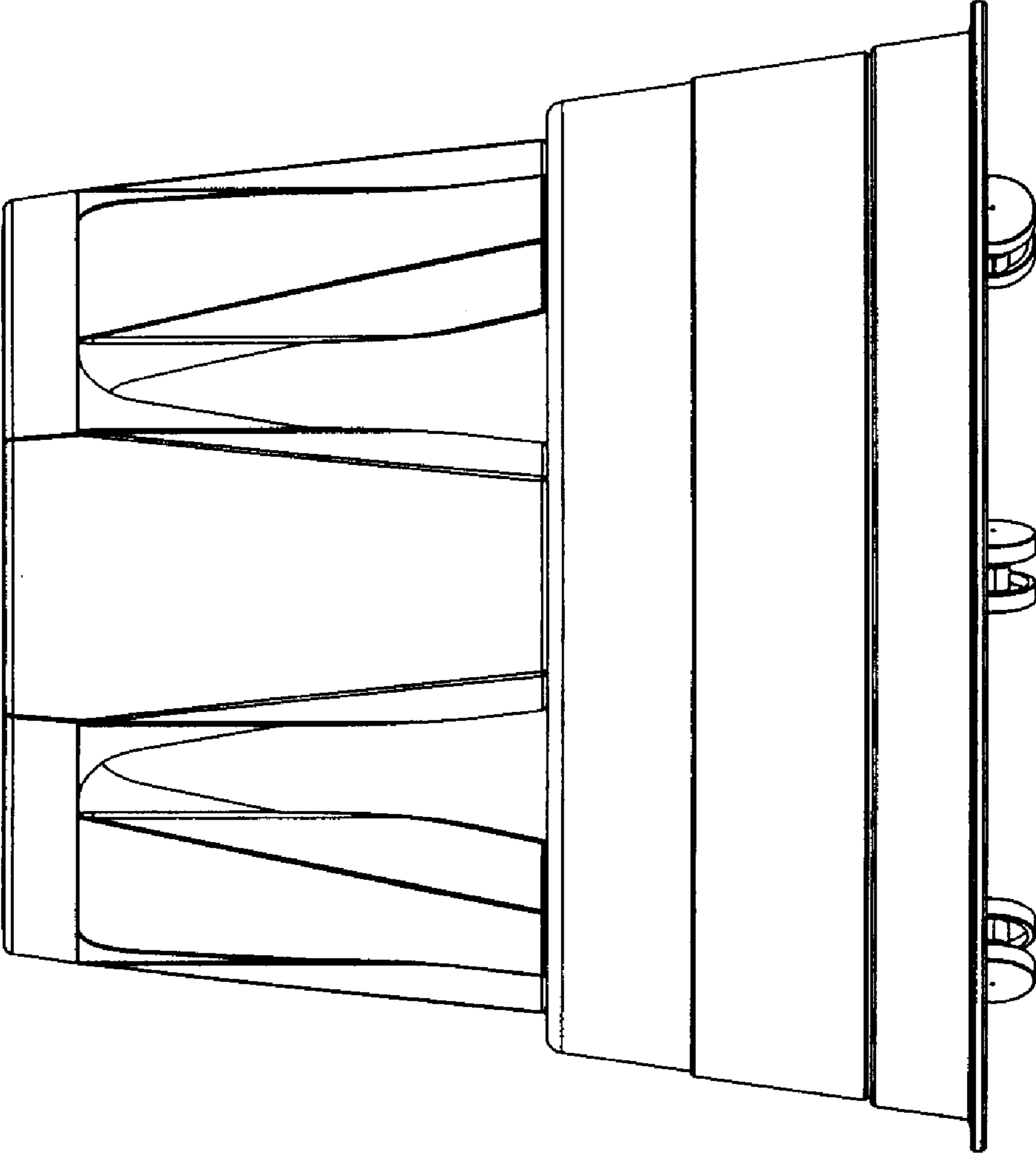


FIG. 4

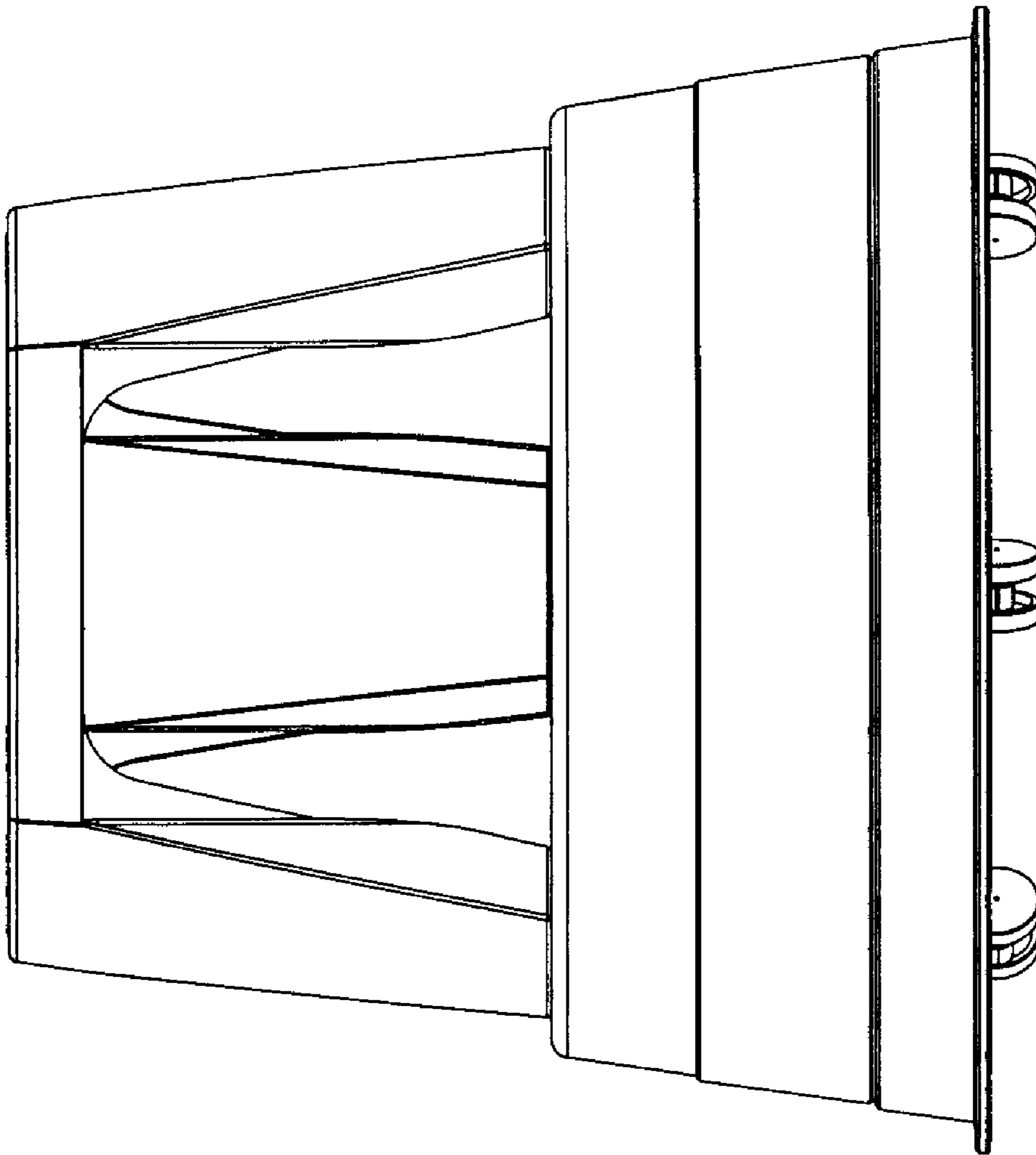


FIG. 5

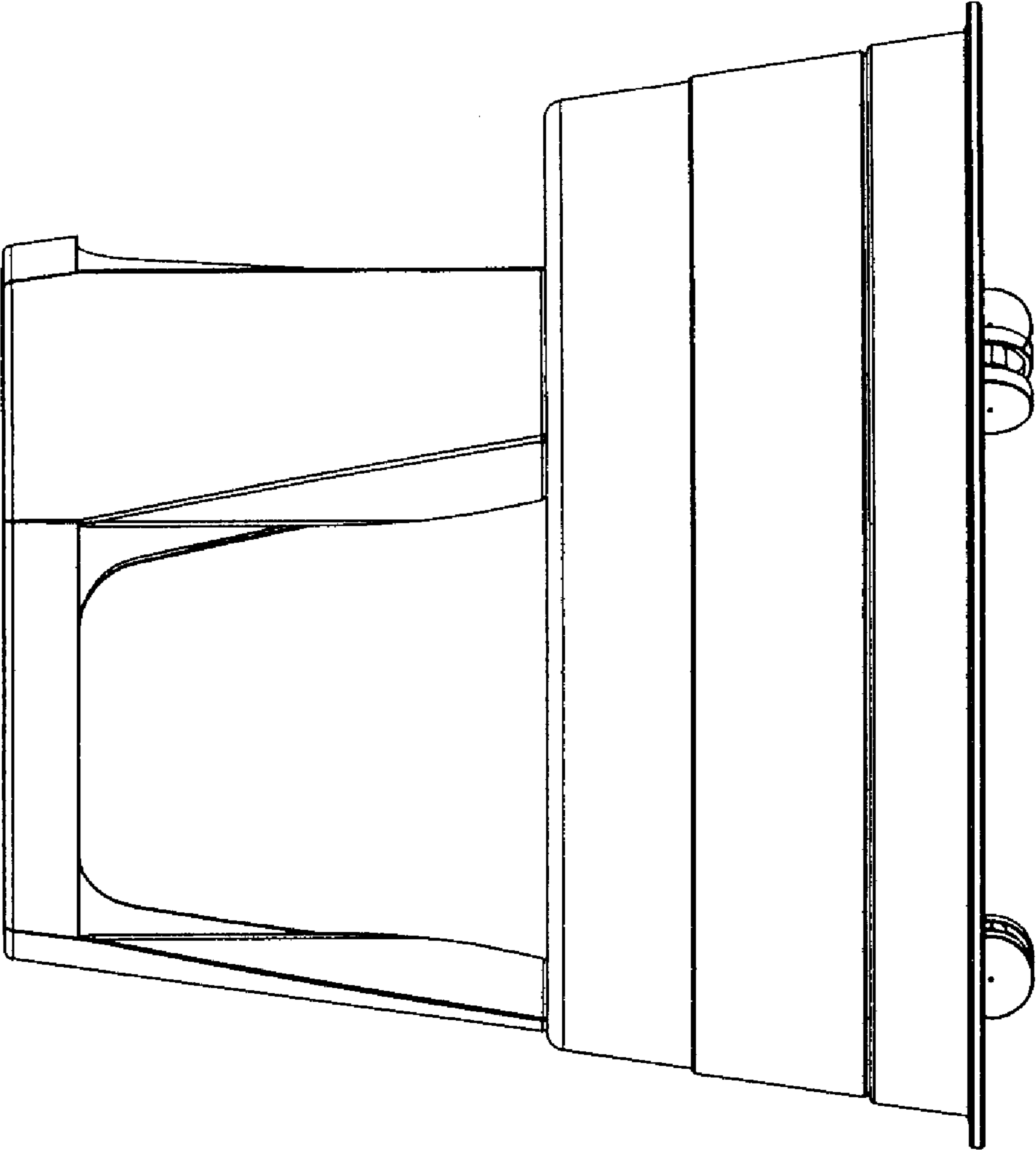


FIG. 6