



US00D524066S

(12) **United States Design Patent**  
**McDonald**

(10) **Patent No.:** **US D524,066 S**

(45) **Date of Patent:** **\*\* Jul. 4, 2006**

(54) **PORCH SWING WITH FOOT REST AND TREADLE**

(76) Inventor: **Darryl David McDonald**, 106 Chestnut Ave., Cranston, RI (US) 02910

(\*\*) Term: **14 Years**

(21) Appl. No.: **29/215,599**

(22) Filed: **Oct. 22, 2004**

(51) **LOC (8) Cl.** ..... **06-01**

(52) **U.S. Cl.** ..... **D6/347**

(58) **Field of Classification Search** ..... D6/334-335, D6/344-348, 370, 381, 374, 375, 500-502; D21/822; 297/232, 276, 273, 278, 279, 280, 297/281, 282, 452.63, 452.13, 452.19, 452.2; 472/118, 124, 125

See application file for complete search history.

(56) **References Cited**

**U.S. PATENT DOCUMENTS**

- 872,736 A \* 12/1907 Lansberry, Jr. .... 297/276
- 952,360 A \* 3/1910 Rockwell ..... 297/273
- 1,013,956 A \* 1/1912 Sanders ..... 297/279
- 1,107,341 A \* 8/1914 Oldfield ..... 297/273

- 1,177,899 A \* 4/1916 Rogers ..... 297/280
- 1,189,393 A \* 7/1916 Shaw ..... 297/276
- 1,198,912 A \* 9/1916 Haberacker ..... 297/87
- 1,259,061 A \* 3/1918 Whetstone ..... 297/273
- 1,266,129 A \* 5/1918 Haberacker ..... 297/281
- D247,833 S \* 5/1978 Kearns et al. .... D6/347
- 4,828,250 A \* 5/1989 Reiche ..... 472/124
- D497,726 S \* 11/2004 White ..... D6/347

\* cited by examiner

*Primary Examiner*—Mimosa De

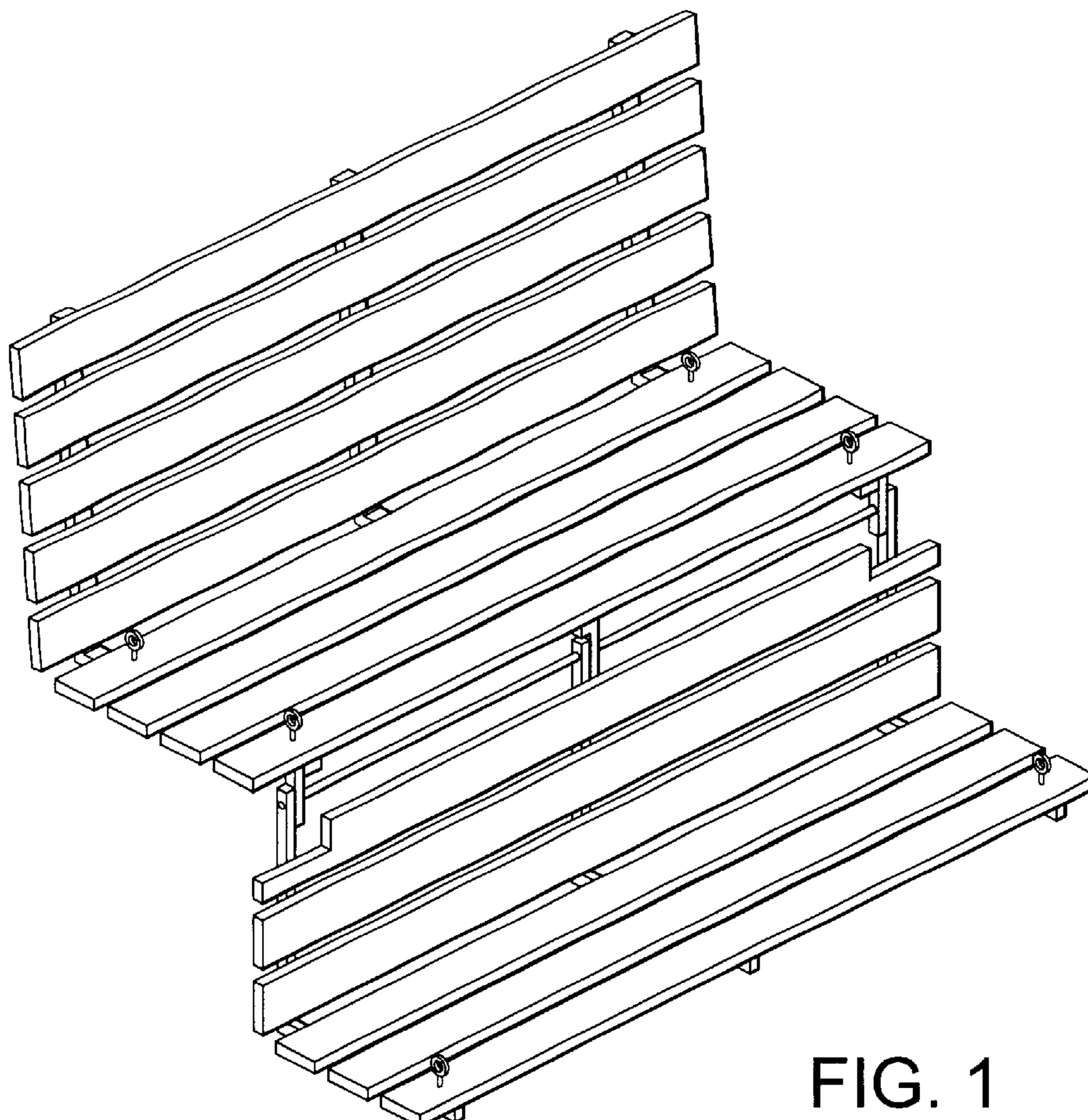
(57) **CLAIM**

The ornamental design for a porch swing with foot rest and treadle, as shown and described.

**DESCRIPTION**

FIG. 1 is a front perspective view of a porch swing with foot rest and treadle showing my new design; FIG. 2 is a front elevation view thereof; FIG. 3 is a first side elevation view thereof; FIG. 4 is a second side elevation view thereof; FIG. 5 is a top plan view thereof; and, FIG. 6 is a rear elevation view thereof.

**1 Claim, 3 Drawing Sheets**



**FIG. 1**

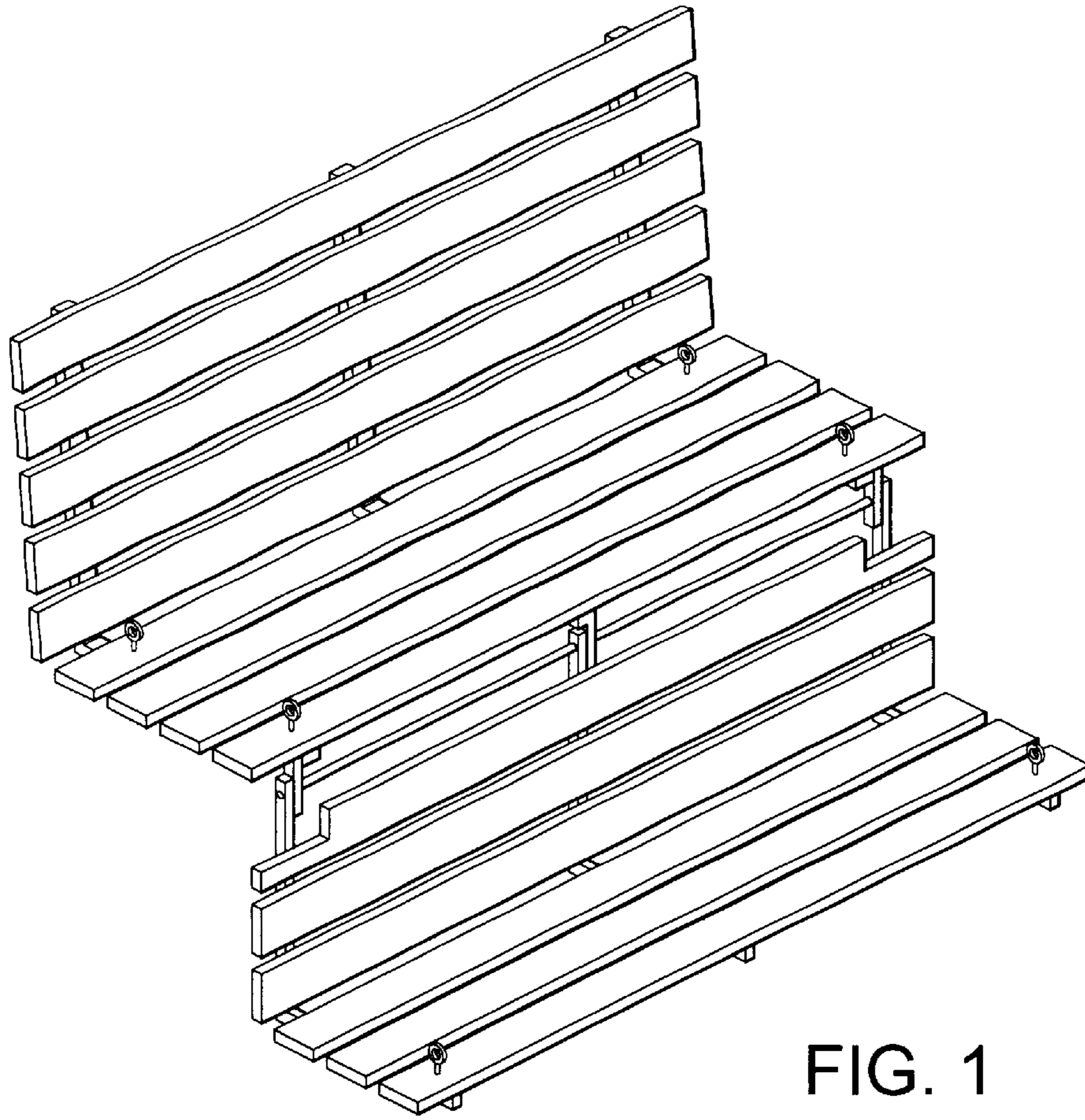
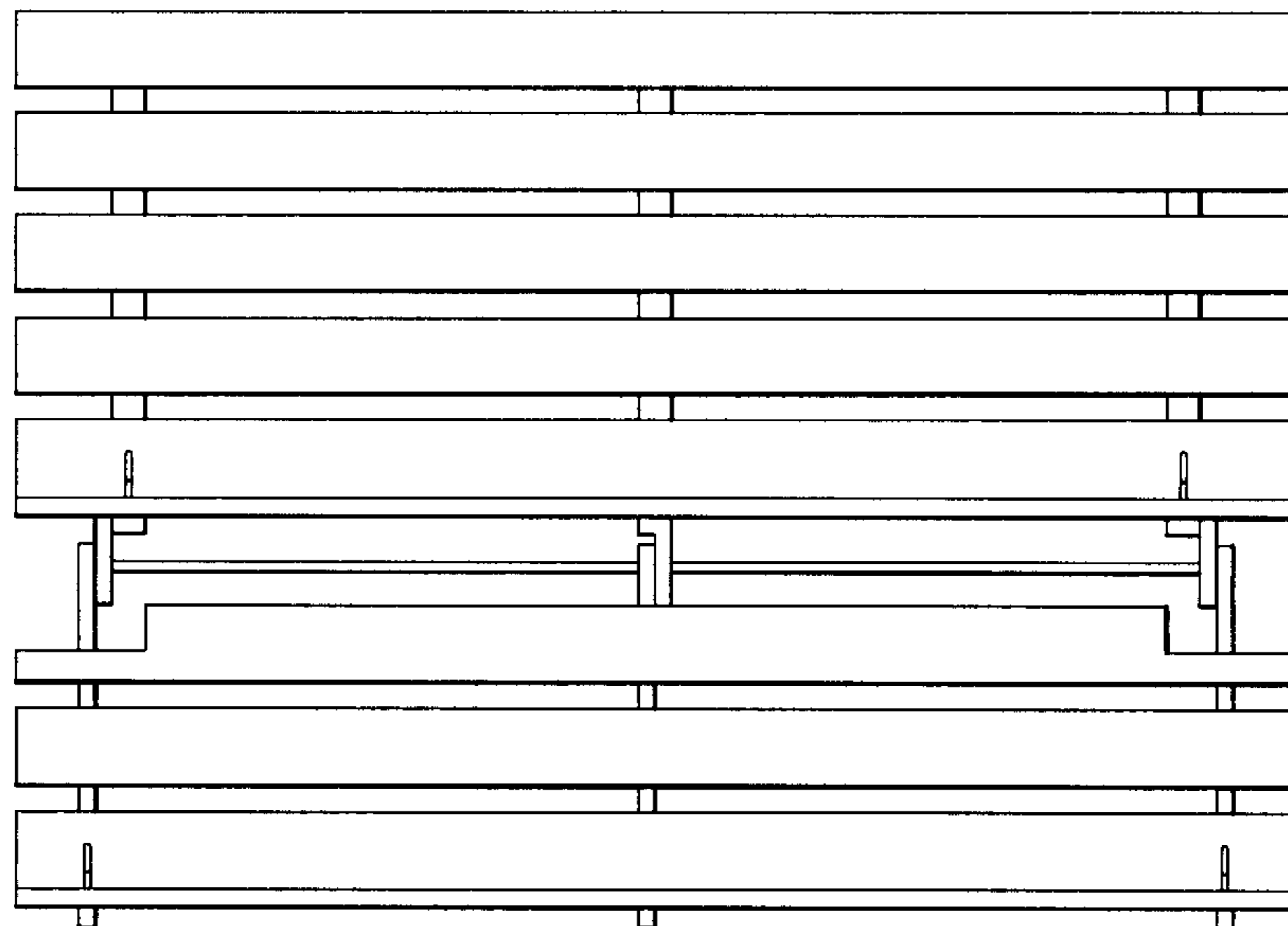


FIG. 1

FIG. 2



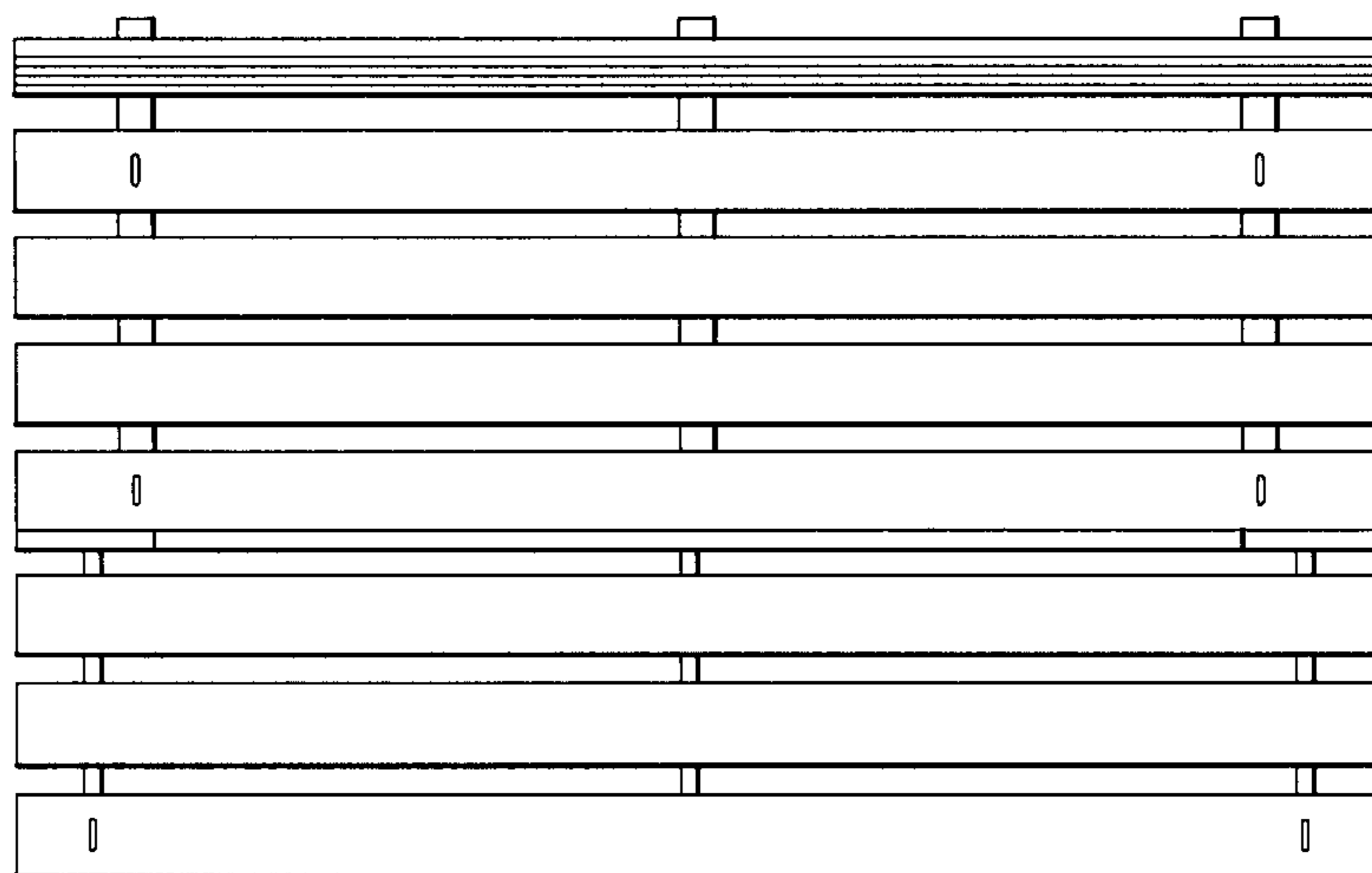
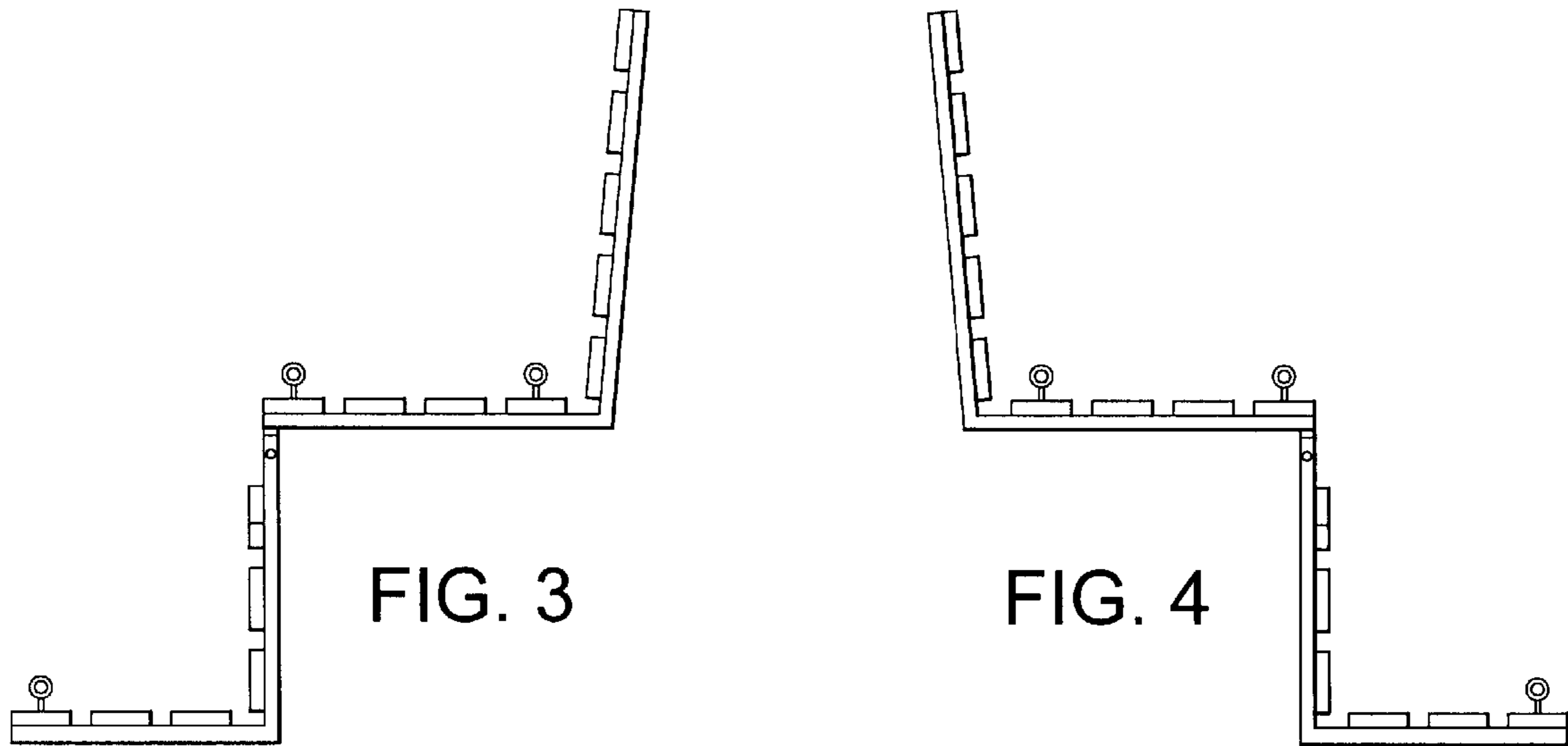


FIG. 5

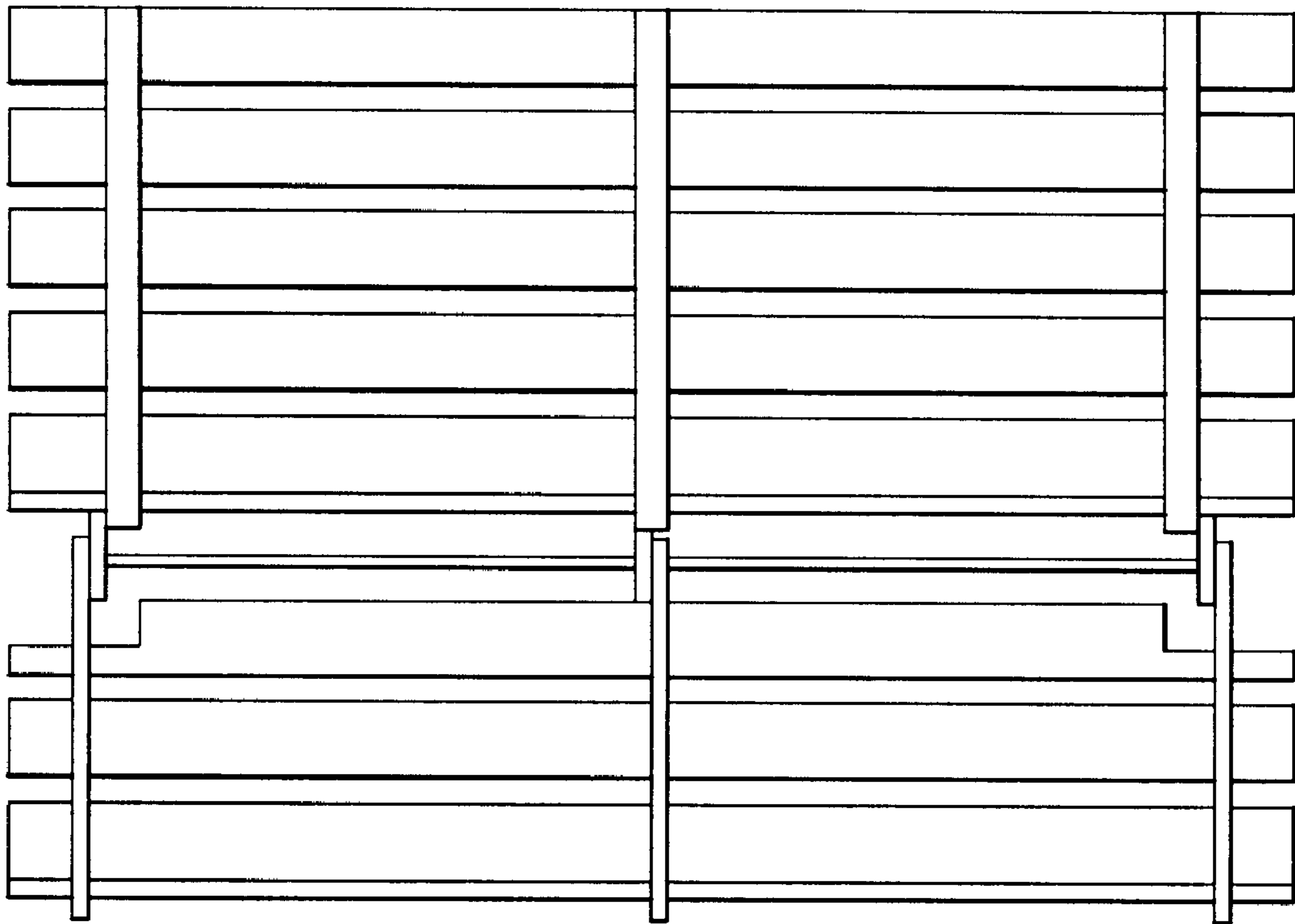


FIG. 6