



US00D524065S

(12) **United States Design Patent**  
**Jacobs**

(10) **Patent No.:** **US D524,065 S**  
(45) **Date of Patent:** **\*\* Jul. 4, 2006**

(54) **FOLDING STOOL SEAT FOR ATTACHMENT TO A GOLF CART**

(76) Inventor: **Paul A. Jacobs**, P.O. Box 250, Iron Mountain, MI (US) 49801

(\*\*) Term: **14 Years**

(21) Appl. No.: **29/234,862**

(22) Filed: **Jul. 22, 2005**

(51) **LOC (8) Cl.** ..... **06-01**

(52) **U.S. Cl.** ..... **D6/335**

(58) **Field of Classification Search** ..... D6/334-339,  
D6/349, 352, 364-368, 353, 369, 370, 495,  
D6/500-502; 5/12.1; 297/445.1, 232, 446.1,  
297/447.3, 448.1, 452.1, 217.1; D3/7; 108/119;  
280/645

See application file for complete search history.

(56) **References Cited**

U.S. PATENT DOCUMENTS

2,542,040	A	*	2/1951	MacLellan	108/119
2,610,072	A	*	9/1952	Head	280/42
3,310,340	A	*	3/1967	Brewer et al.	297/16.1
3,506,280	A	*	4/1970	Coupe	280/47.19
3,698,738	A	*	10/1972	Bossert	280/762
D284,429	S	*	7/1986	Garde	D6/368

4,749,228	A		6/1988	Potter	
D308,439	S	*	6/1990	Van Winkle	D3/7
4,988,117	A	*	1/1991	Shortall	280/646
5,439,241	A		8/1995	Nelson	
D365,695	S	*	1/1996	Sibbitt, Sr.	D6/364
5,836,601	A		11/1998	Nelson	
D467,745	S	*	12/2002	Ryan	D6/364
D483,959	S	*	12/2003	Howard et al.	D6/364

\* cited by examiner

*Primary Examiner*—Sandra S. Snapp

(74) *Attorney, Agent, or Firm*—Irving M. Weiner; Pamela S. Burt; Weiner & Burt, P.C.

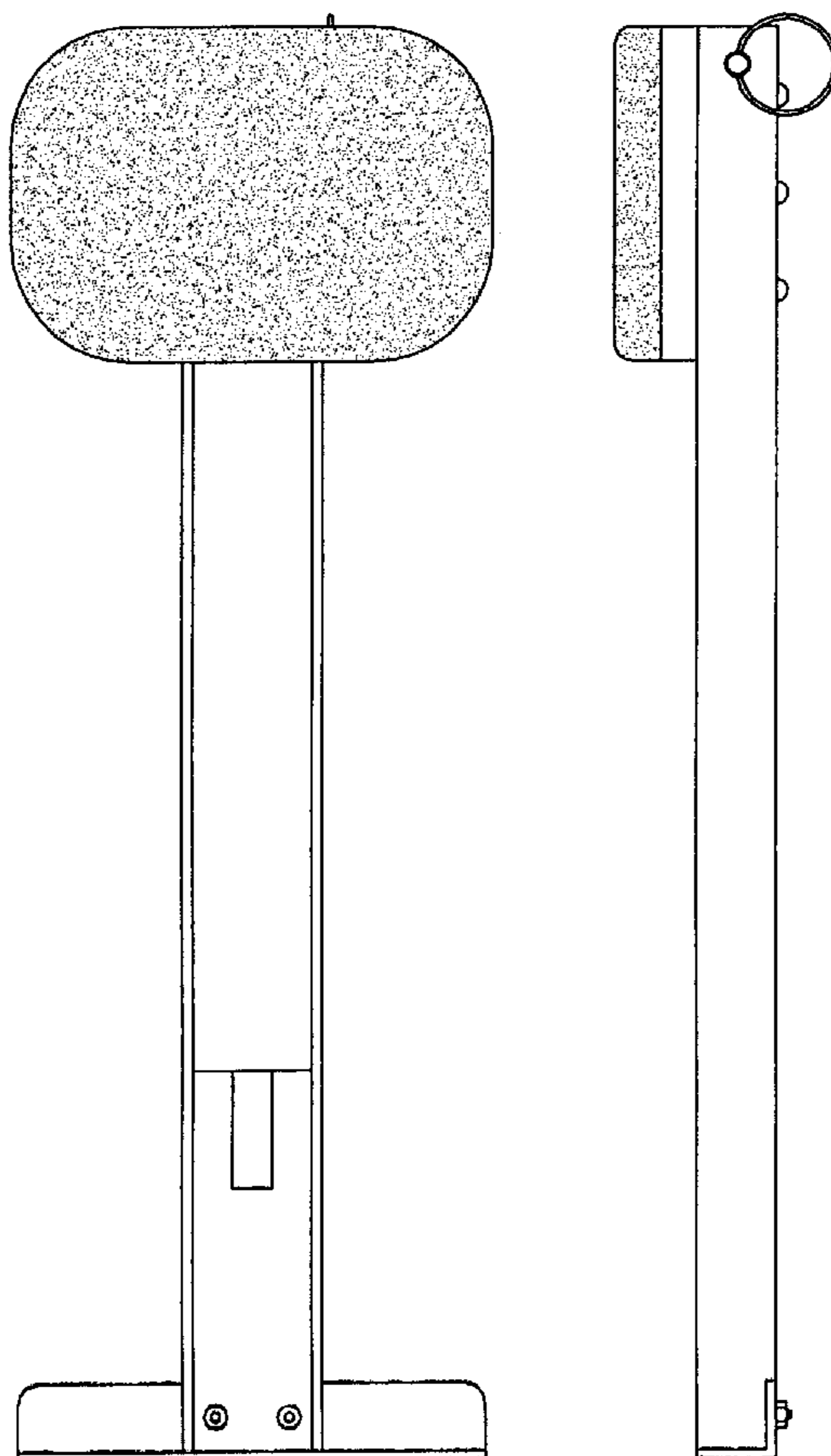
(57) **CLAIM**

The ornamental design for a folding stool seat for attachment to a golf cart, as shown and described.

**DESCRIPTION**

FIG. 1 is a top view of a folding stool seat showing my new design in its folded storage position;  
FIG. 2 is a front elevational view thereof;  
FIG. 3 is a right side elevational view thereof;  
FIG. 4 is a rear elevational view thereof;  
FIG. 5 is a left side elevational view thereof; and,  
FIG. 6 is a bottom view thereof.

**1 Claim, 1 Drawing Sheet**



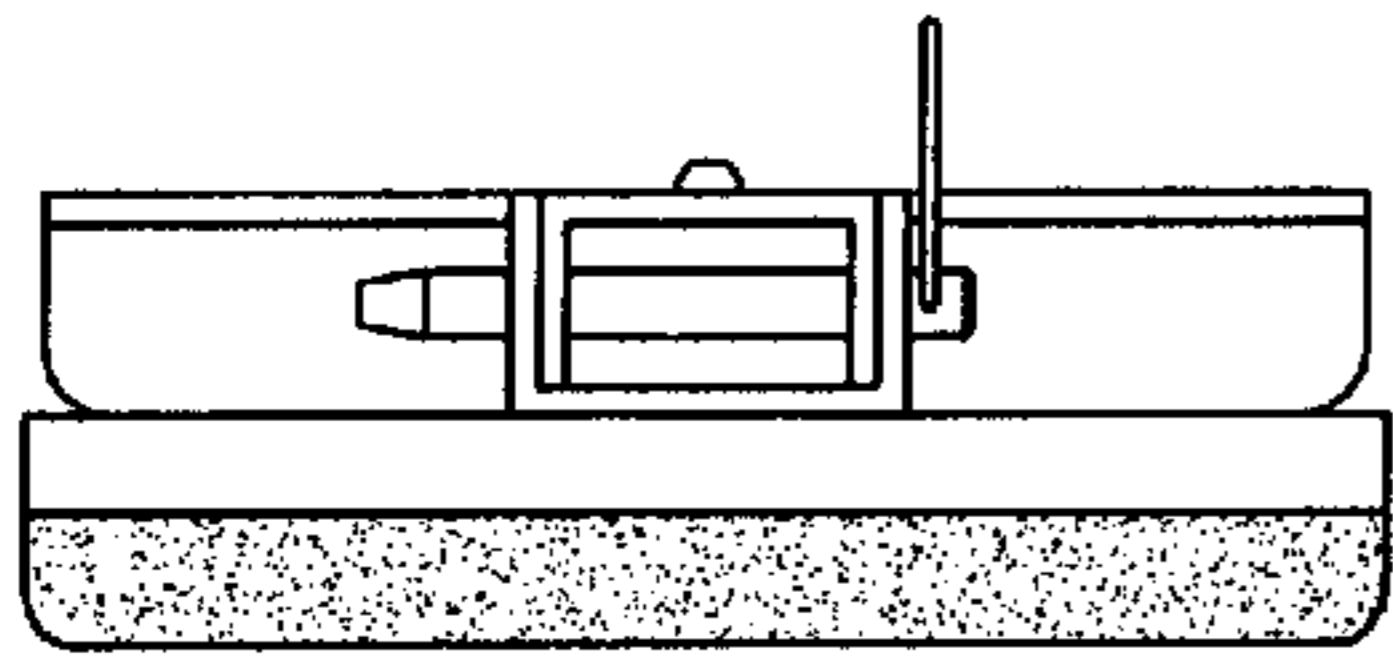


FIG 1

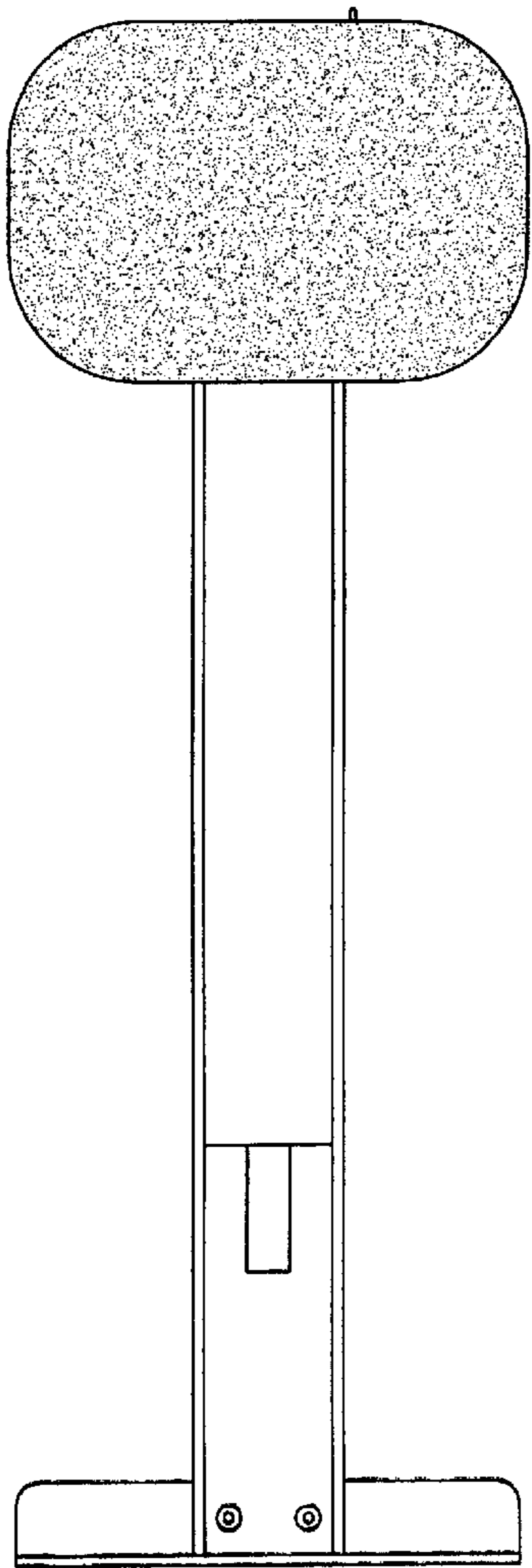


FIG 2

FIG 3

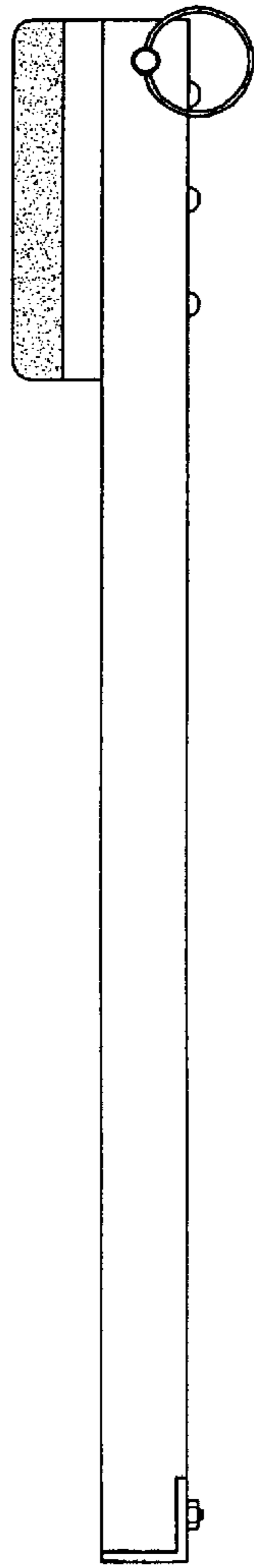


FIG 4

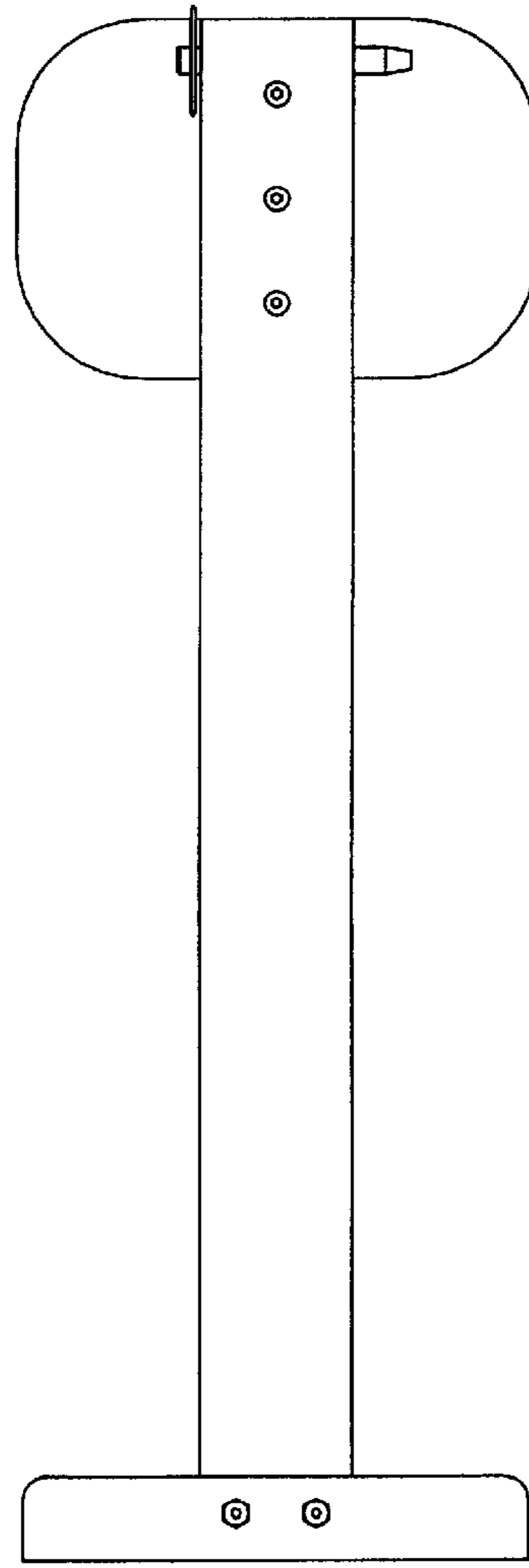


FIG 5

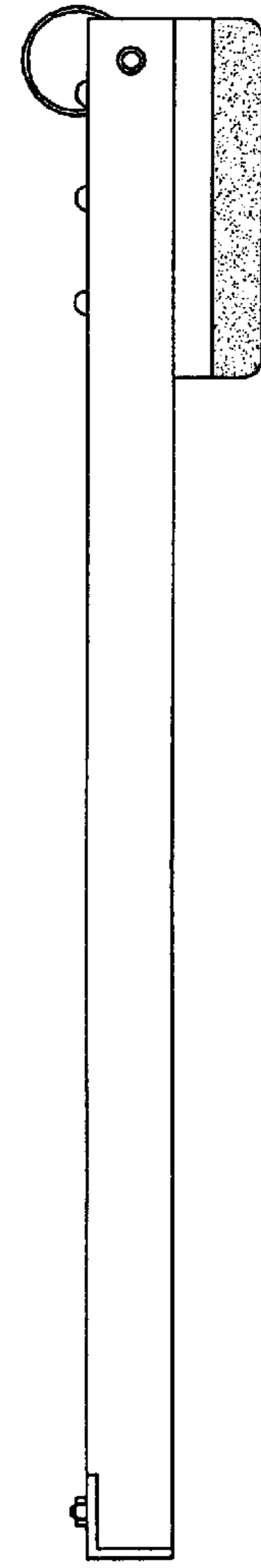


FIG 6

