

US00D524059S

(12) **United States Design Patent**
Mohundro

(10) **Patent No.:** **US D524,059 S**

(45) **Date of Patent:** **** Jul. 4, 2006**

(54) **MIRROR**

(76) **Inventor:** **James Glenn Mohundro**, 3F-4 No.
161, Kung-I Road, Taichung City (TW)

(**) **Term:** **14 Years**

(21) **Appl. No.:** **29/224,879**

(22) **Filed:** **Mar. 9, 2005**

(51) **LOC (8) Cl.** **06-07**

(52) **U.S. Cl.** **D6/300; D6/444**

(58) **Field of Classification Search** D6/300-309,
D6/444, 432, 568; 40/700-702, 714, 717,
40/721, 727, 738, 739, 742, 745, 746, 747,
40/768, 777, 778, 779, 782-784, 790-791;
312/204, 224; D11/131

See application file for complete search history.

(56) **References Cited**

U.S. PATENT DOCUMENTS

D30,394 S	*	3/1899	Hartley	D6/477
1,345,366 A	*	7/1920	Jipson	312/224
1,778,728 A	*	10/1930	Raskin	248/474
D90,511 S	*	8/1933	Shaw	D6/475

2,416,976 A	*	3/1947	Barbieri	40/734
D302,217 S	*	7/1989	Keller	D6/397
D316,341 S	*	4/1991	Kee	D6/397
D327,787 S	*	7/1992	Yau Kee	D6/397
D333,740 S	*	3/1993	Ma	D6/397
D485,443 S	*	1/2004	Wanek et al.	D6/300

* cited by examiner

Primary Examiner—Caron D. Veynar

Assistant Examiner—Sydney R. Buffalow

(74) *Attorney, Agent, or Firm*—Bacon & Thomas, PLLC

(57) **CLAIM**

The ornamental design for a mirror, as shown and described.

DESCRIPTION

FIG. 1 is a perspective view of a mirror, showing my new design;

FIG. 2 is a front elevational view thereof;

FIG. 3 is a rear elevational view thereof;

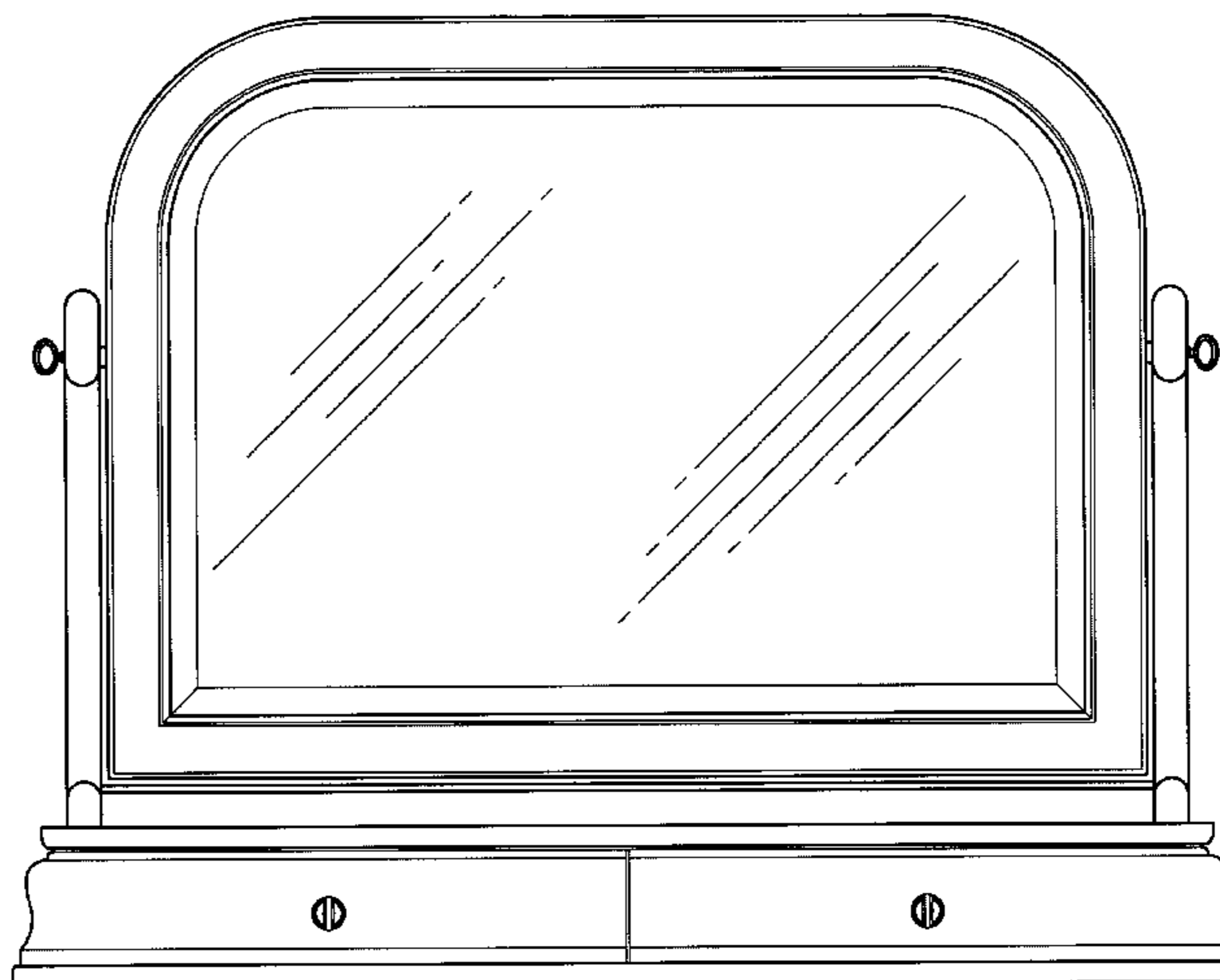
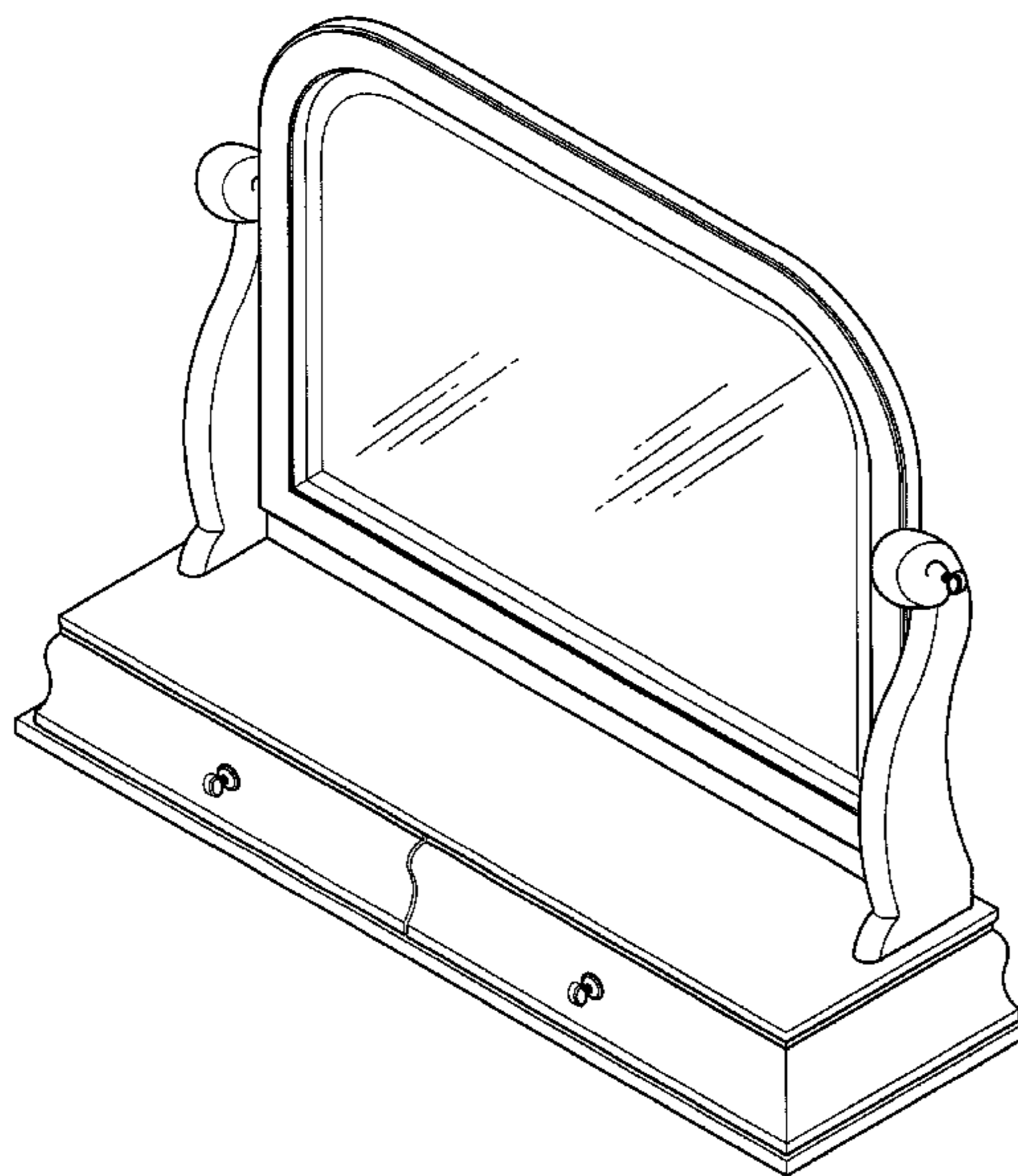
FIG. 4 is a left elevational view thereof;

FIG. 5 is a right elevational view thereof;

FIG. 6 is a top plan view thereof; and,

FIG. 7 is a bottom plan view thereof.

1 Claim, 6 Drawing Sheets



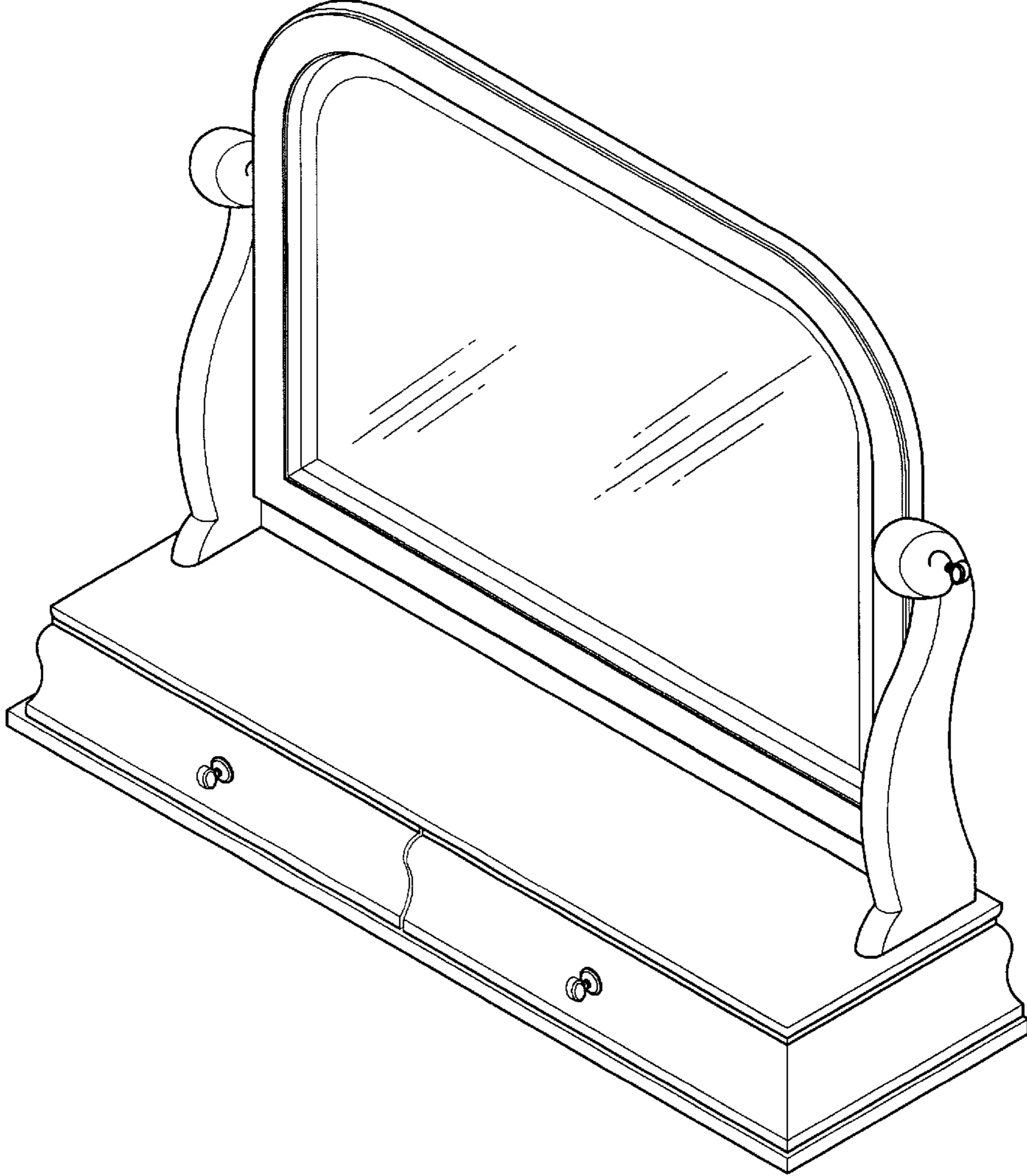


FIG.1

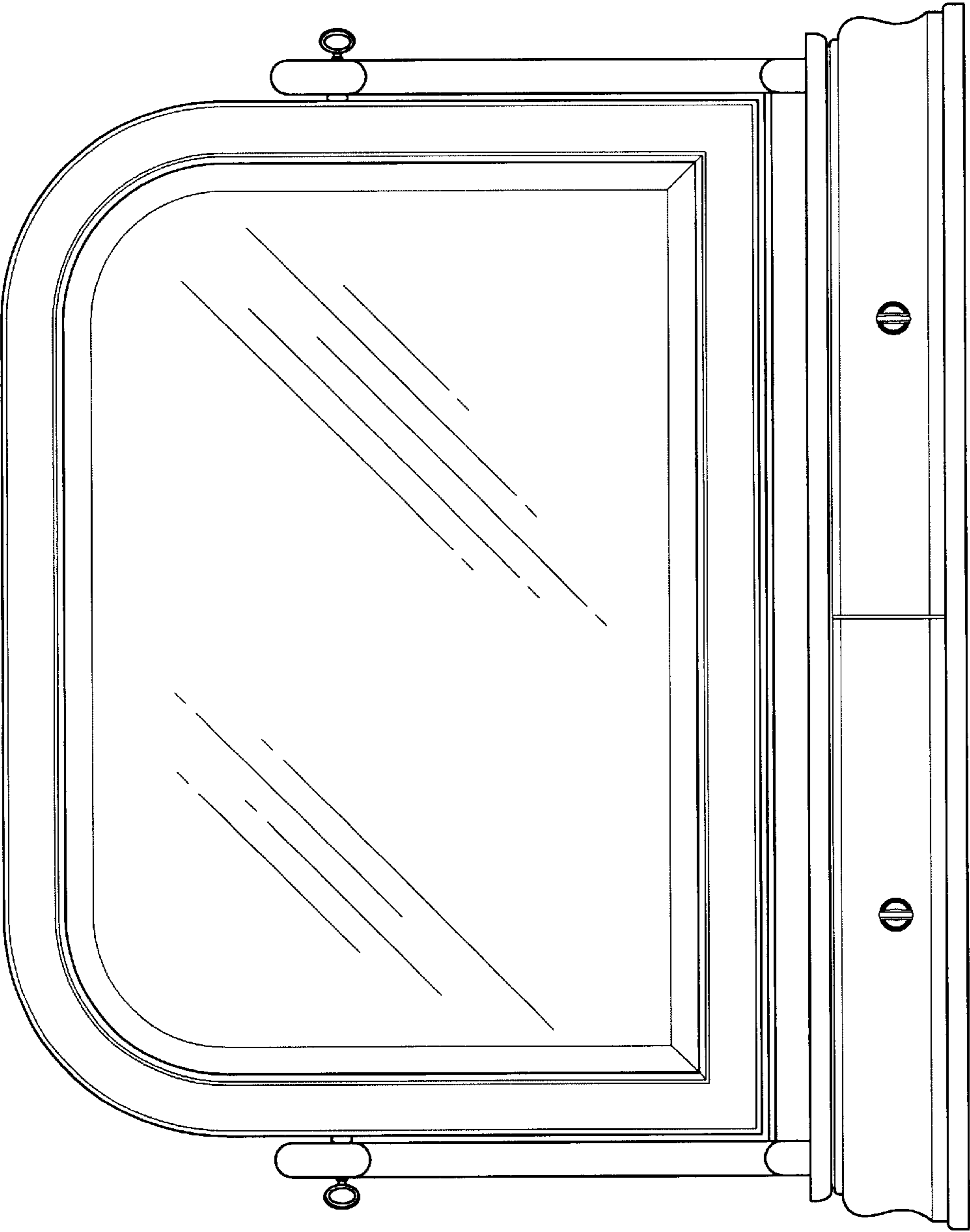


FIG.2

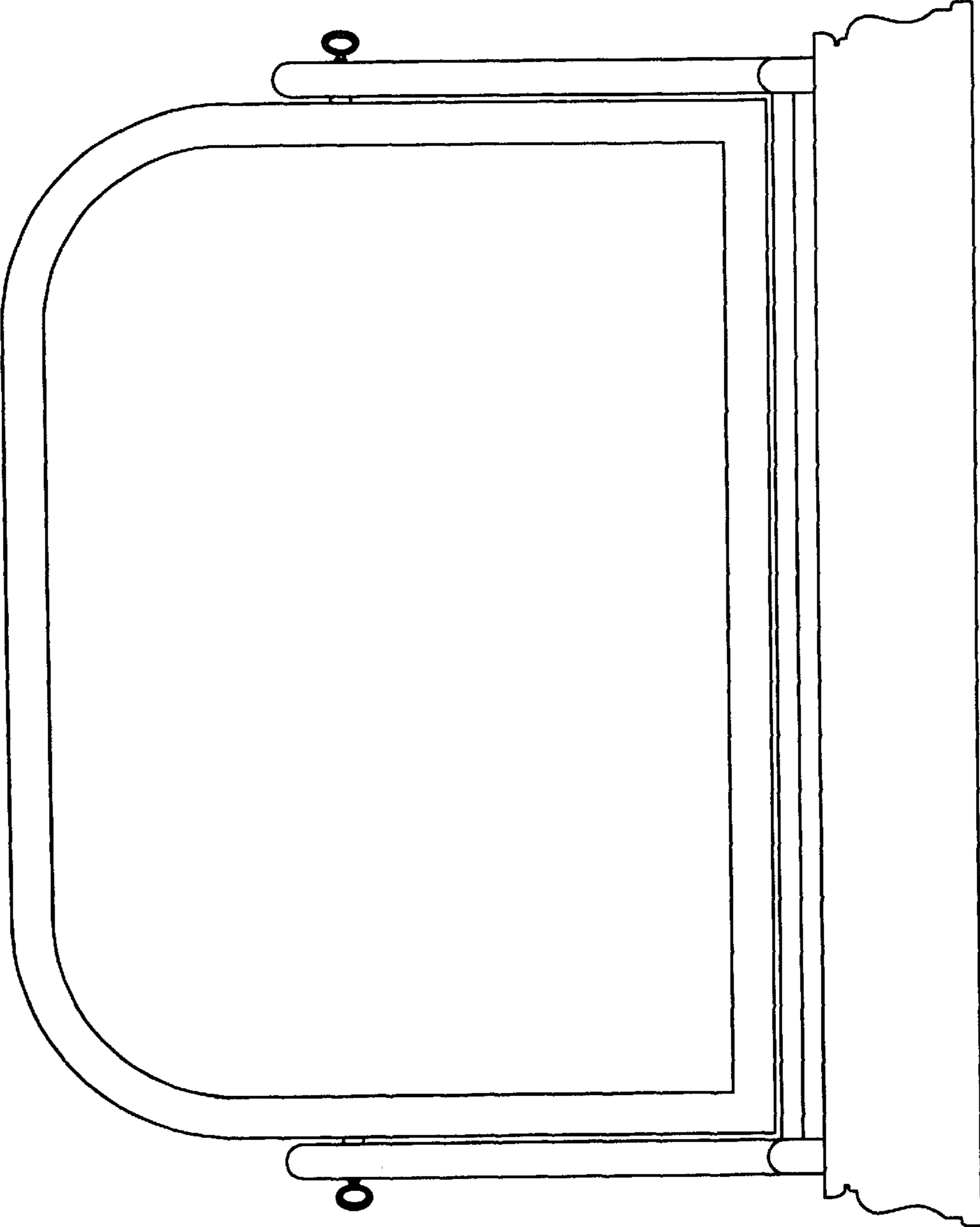


FIG.3

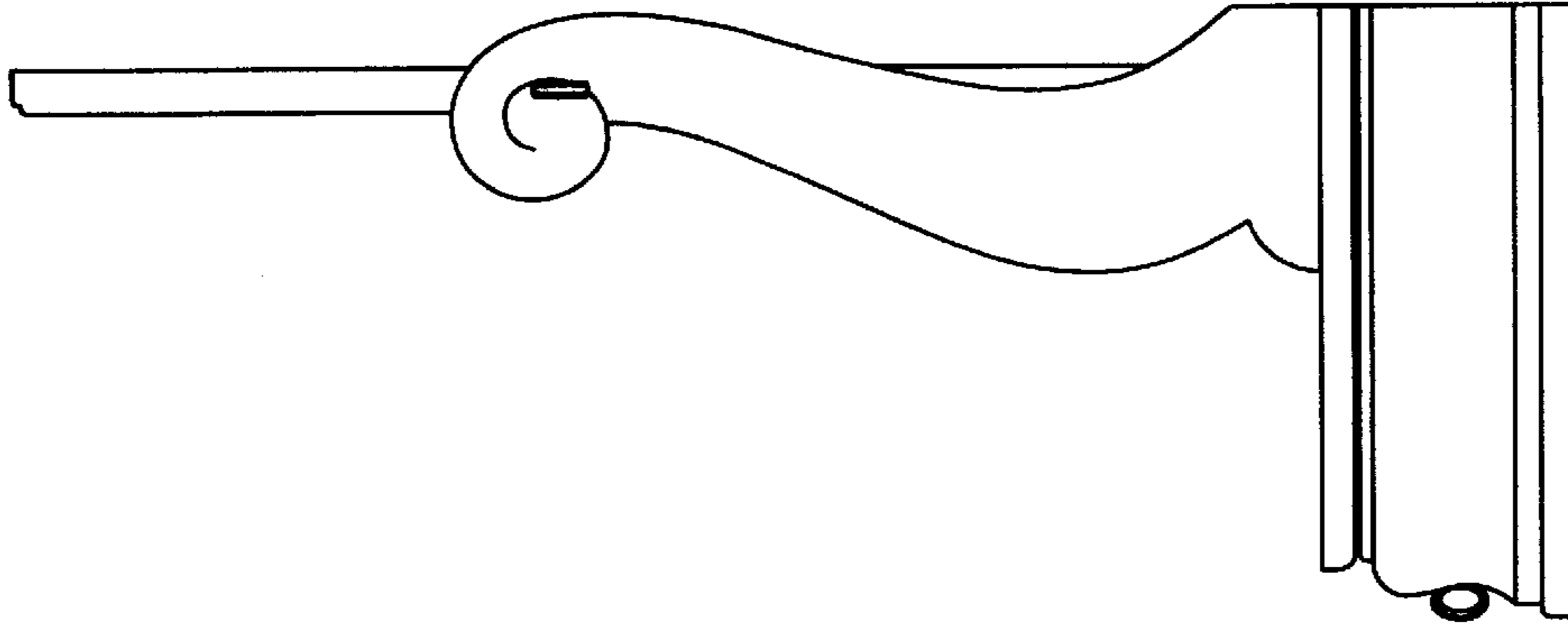


FIG.5

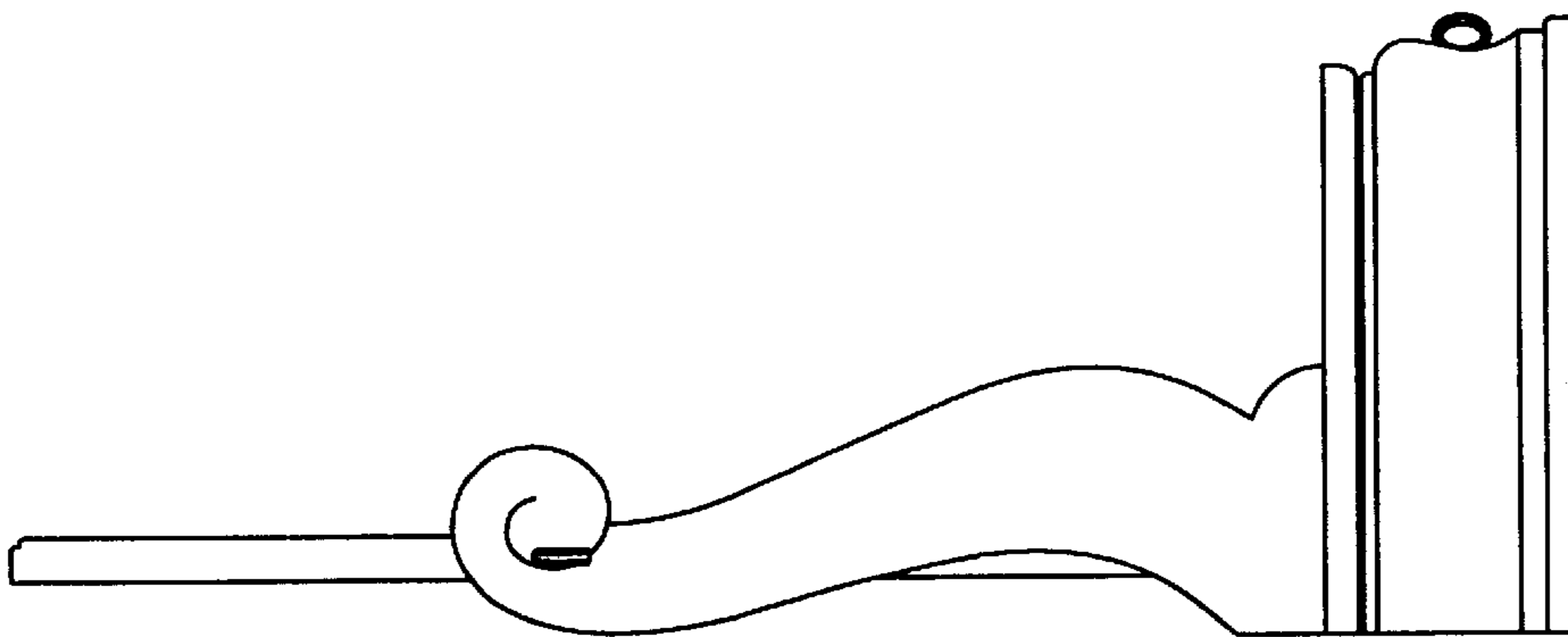


FIG.4

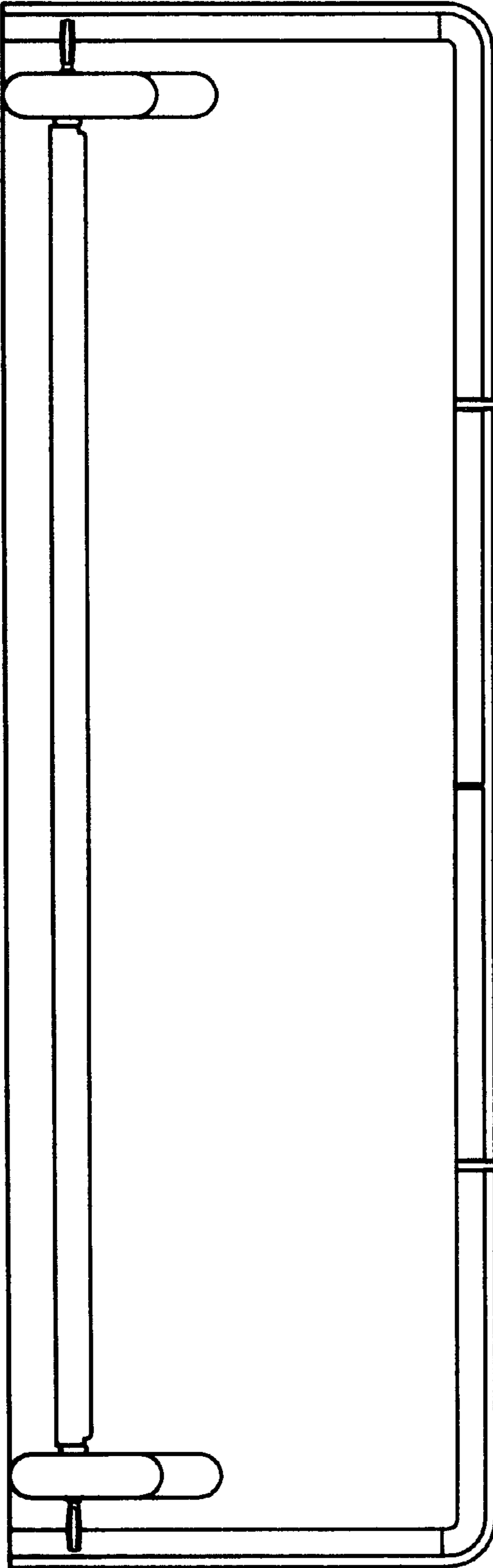


FIG.6

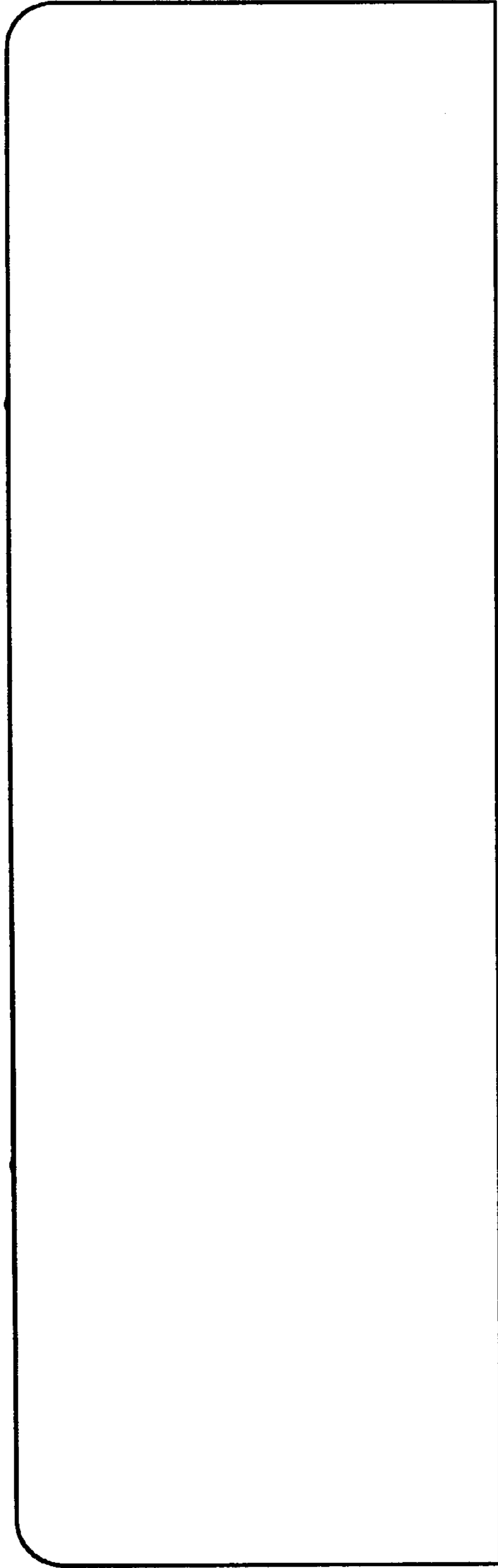


FIG. 7