

US00D524056S

(12) **United States Design Patent**  
**Tapp**

(10) **Patent No.: US D524,056 S**  
(45) **Date of Patent: \*\* Jul. 4, 2006**

(54) **TOILET CLEANER BRUSH**

(75) Inventor: **Peter Tapp**, Wisbech (GB)  
(73) Assignee: **Cut Straight Limited c/o Brampton Housewares Limited** (GB)  
(\*\*) Term: **14 Years**

(21) Appl. No.: **29/226,925**  
(22) Filed: **Apr. 4, 2005**

(30) **Foreign Application Priority Data**

Oct. 4, 2004 (EM) ..... 000236583-0001

(51) **LOC (8) Cl.** ..... **04-01**  
(52) **U.S. Cl.** ..... **D4/120; D4/136**  
(58) **Field of Classification Search** ..... D4/120, D4/130, 134, 136; D28/63; 15/106, 110, 15/159.1, 160, 186-188, 207.2; 401/28; 601/134-137  
See application file for complete search history.

(56) **References Cited**

**U.S. PATENT DOCUMENTS**

1,817,585 A \* 8/1931 Samuel ..... 15/188  
2,054,233 A \* 9/1936 Young ..... 15/188  
2,764,773 A \* 10/1956 Glanvill et al. .... 15/188  
3,599,263 A 8/1971 Cheiten

**FOREIGN PATENT DOCUMENTS**

DE 100 59 764 A1 6/2002  
GB 2191392 A \* 12/1987  
GB 2 330 067 A 4/1999  
JP 2001186929 A \* 7/2001  
WO WO 01/15587 A1 3/2001  
WO WO 2004/095998 A1 11/2004

\* cited by examiner

*Primary Examiner*—Alan P. Douglas  
*Assistant Examiner*—Lavone D. Tabor  
(74) *Attorney, Agent, or Firm*—Adams Evans P.A.

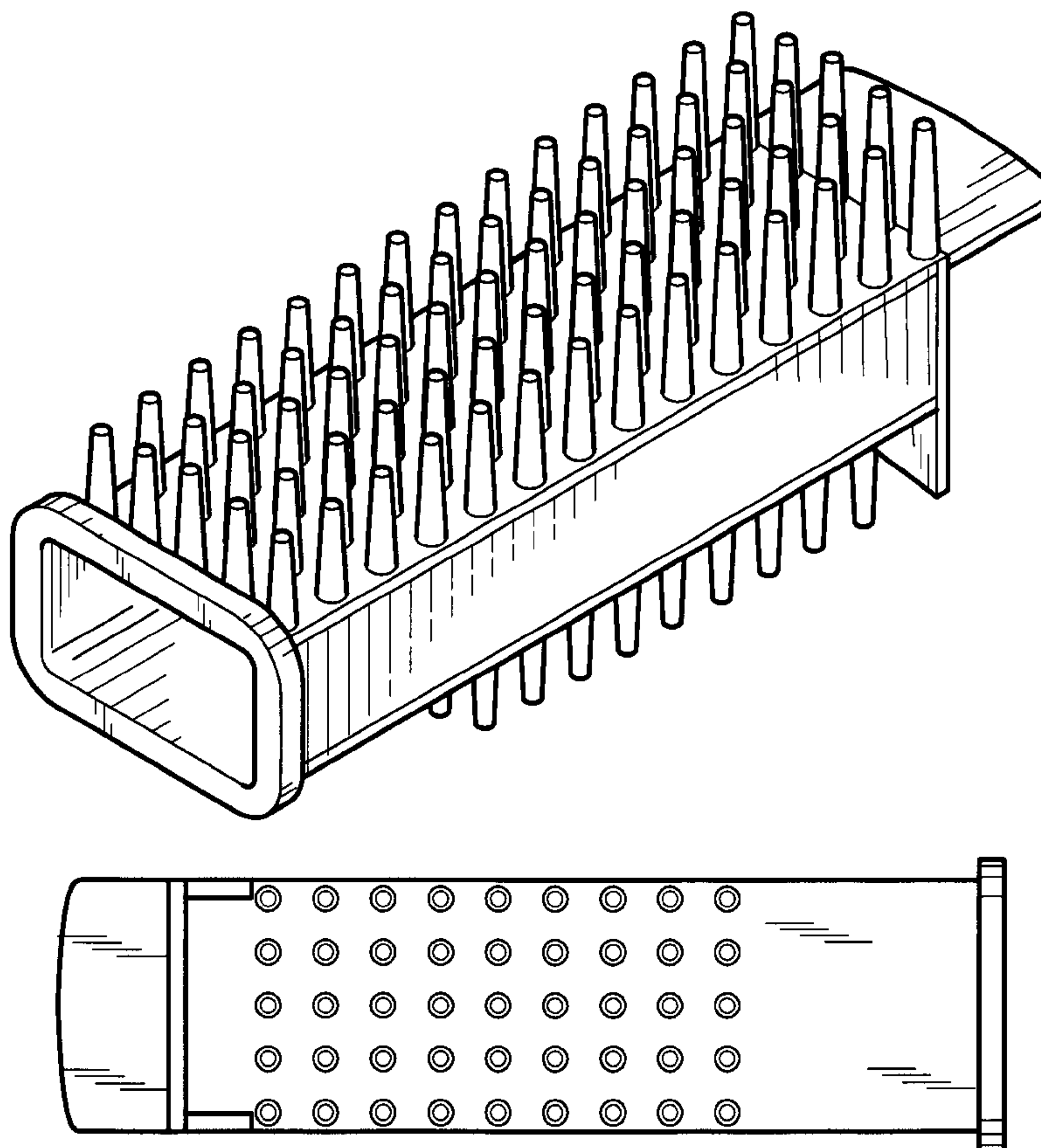
(57) **CLAIM**

I claim the ornamental design for a toilet cleaner brush, as shown and described.

**DESCRIPTION**

FIG. 1 is a perspective view of a toilet cleaner brush, showing my new design;  
FIG. 2 is a side elevational view thereof;  
FIG. 3 is a bottom plan view thereof;  
FIG. 4 is a top plan view thereof;  
FIG. 5 is a rear elevational view thereof; and,  
FIG. 6 is a front elevational view thereof.

**1 Claim, 2 Drawing Sheets**



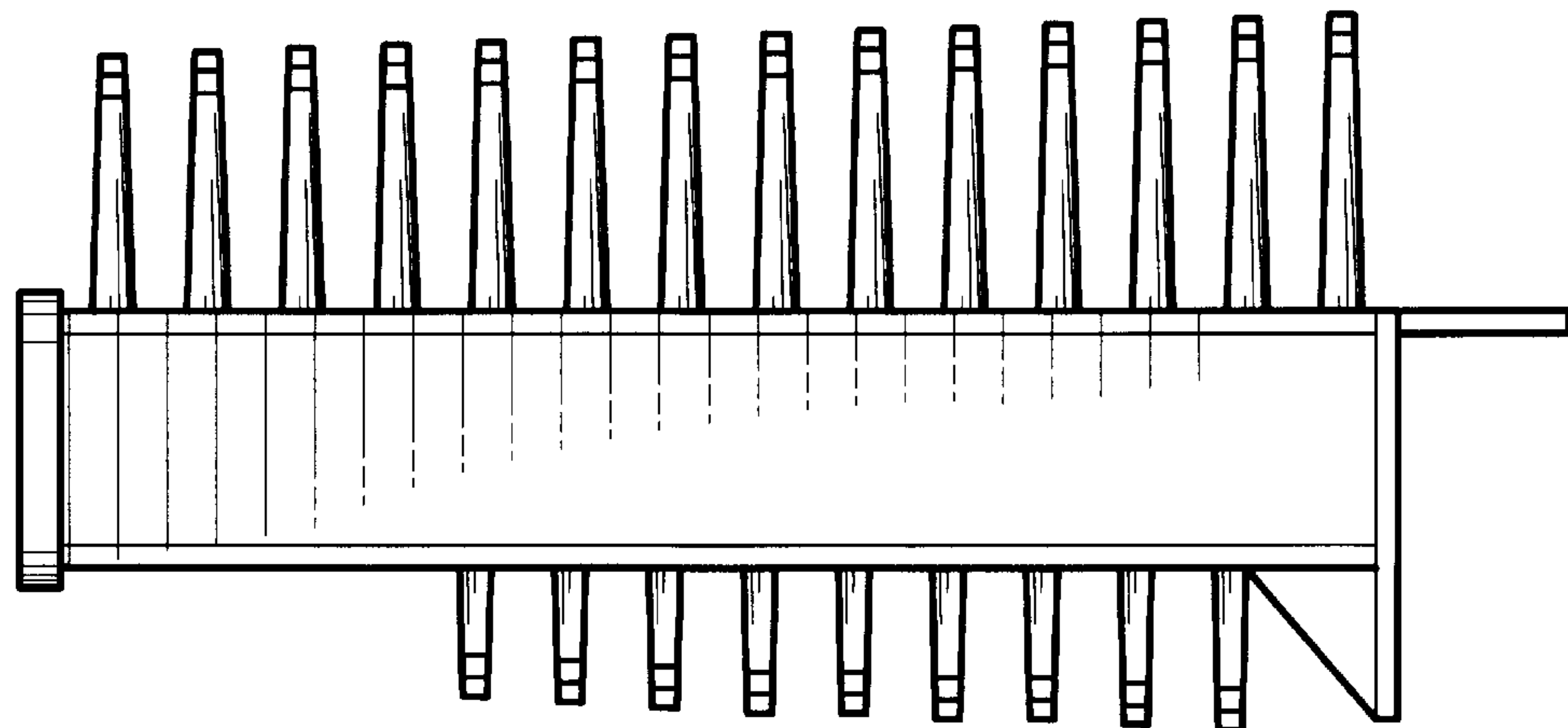
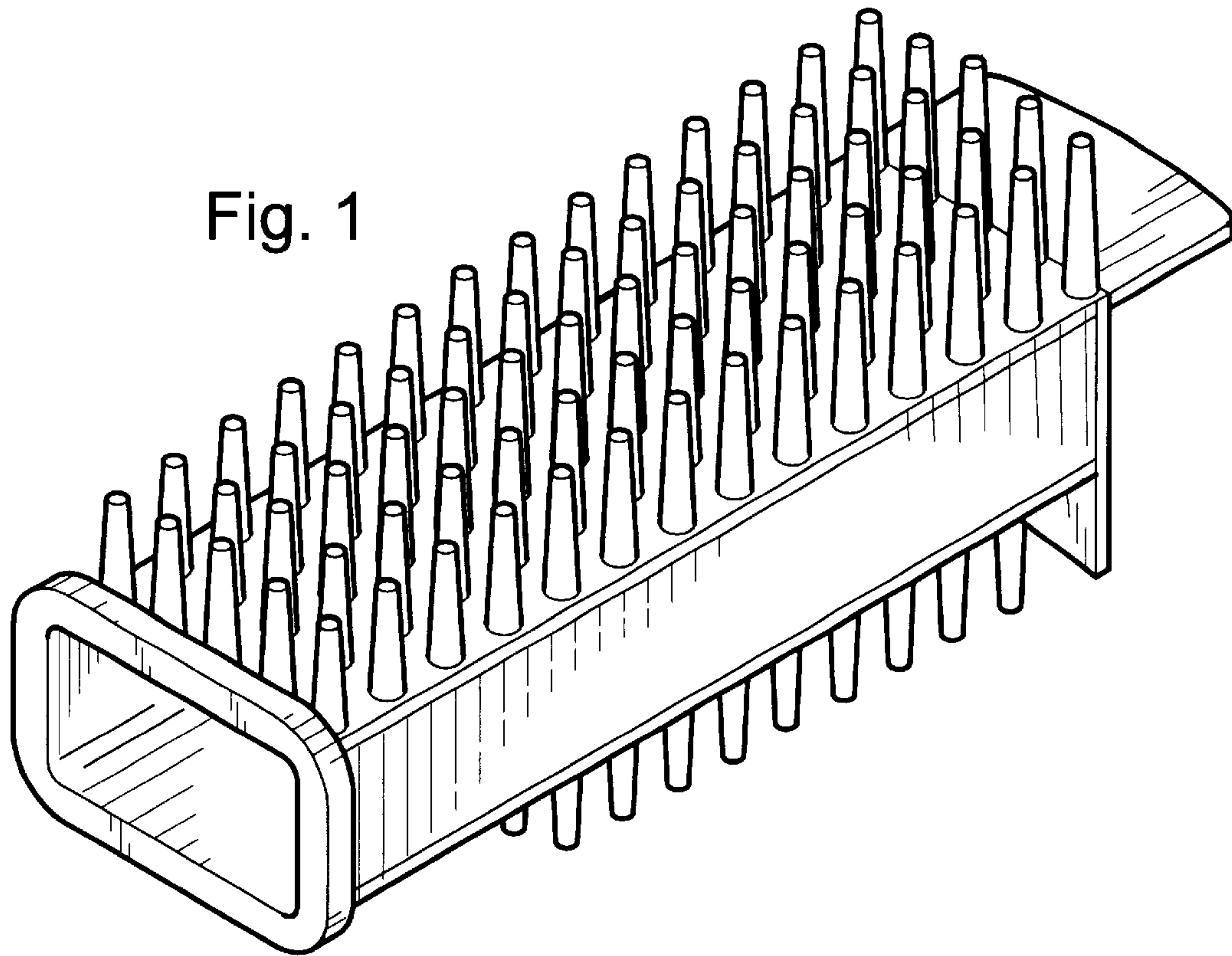


Fig. 2

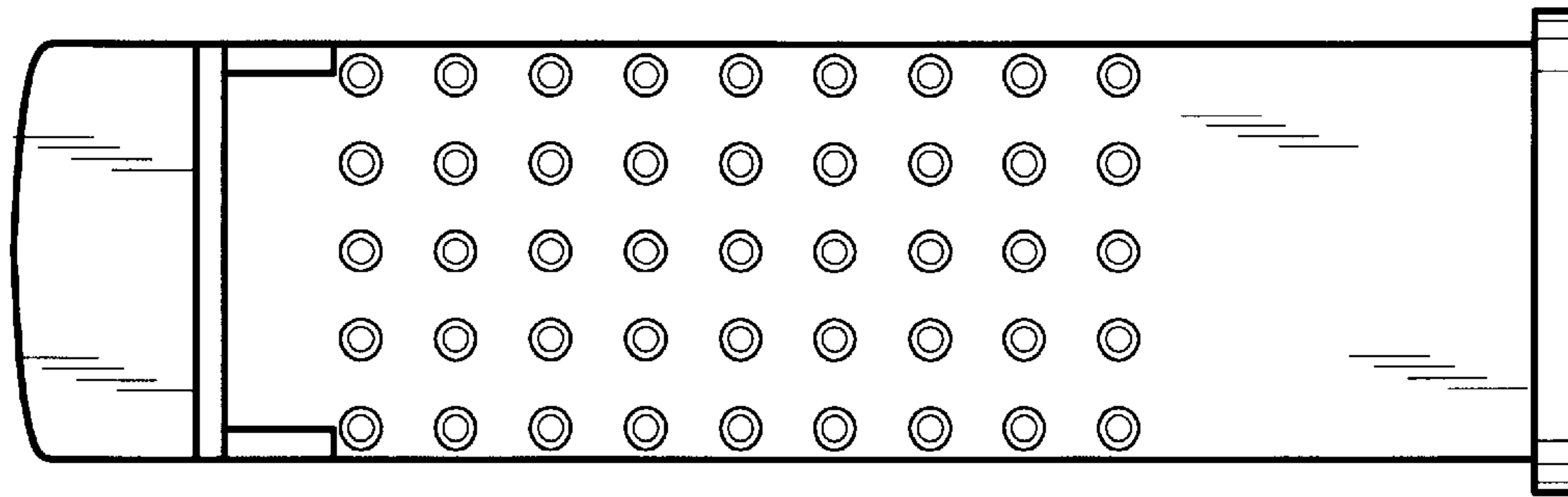


Fig. 3

Fig. 4

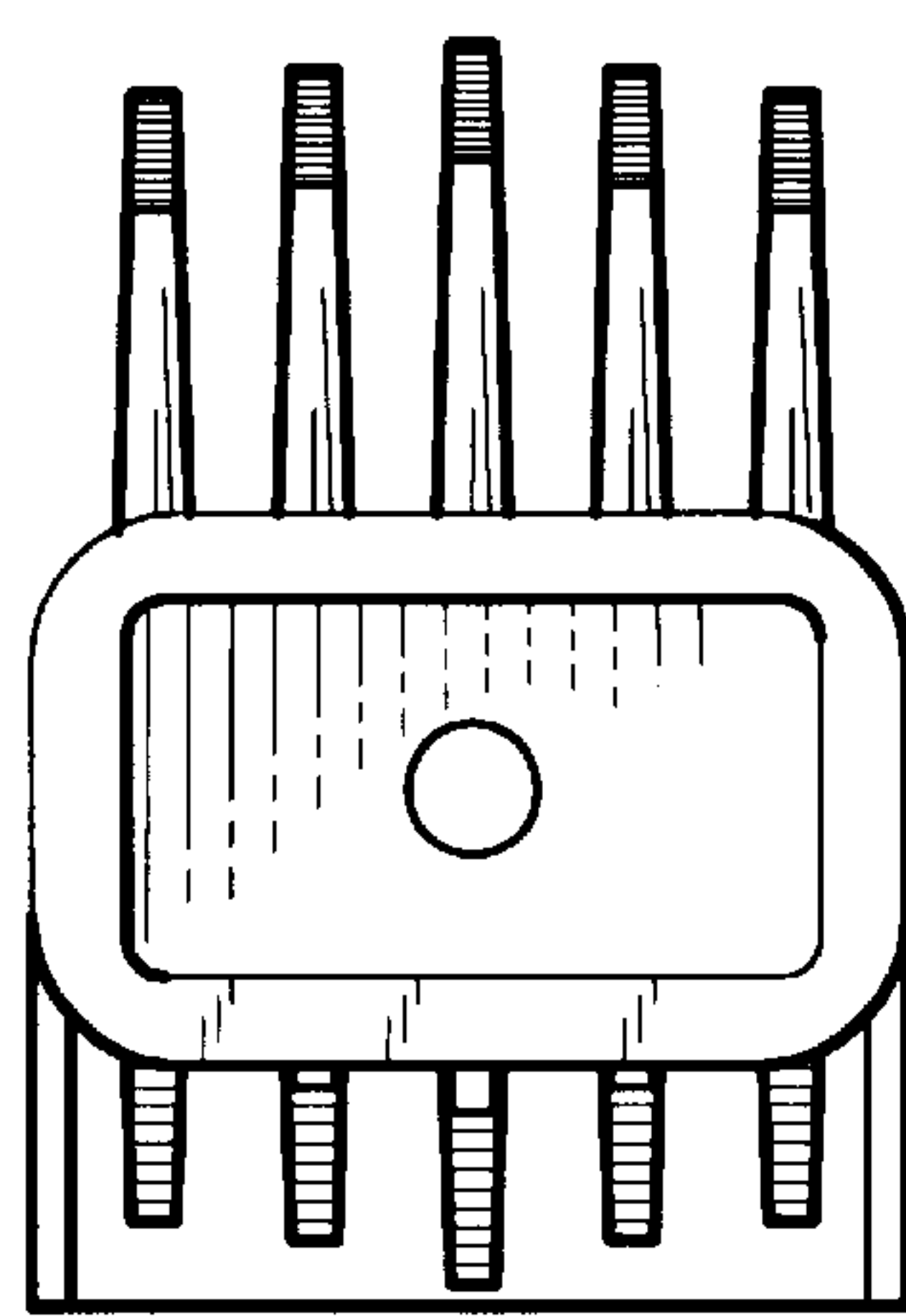
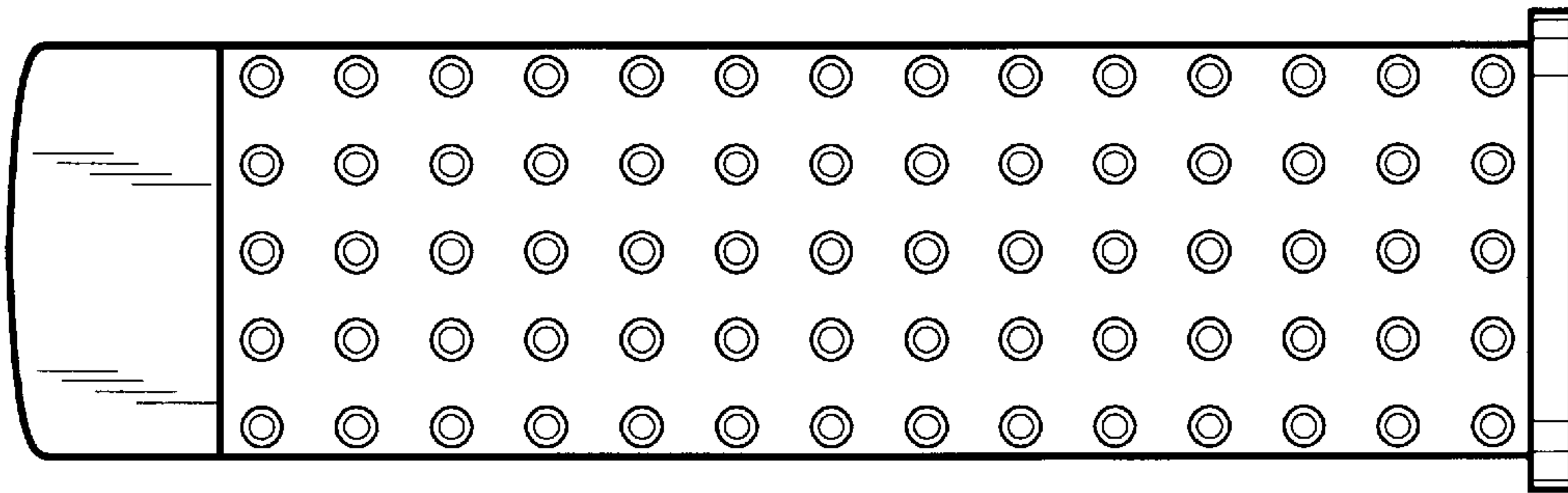


Fig. 5

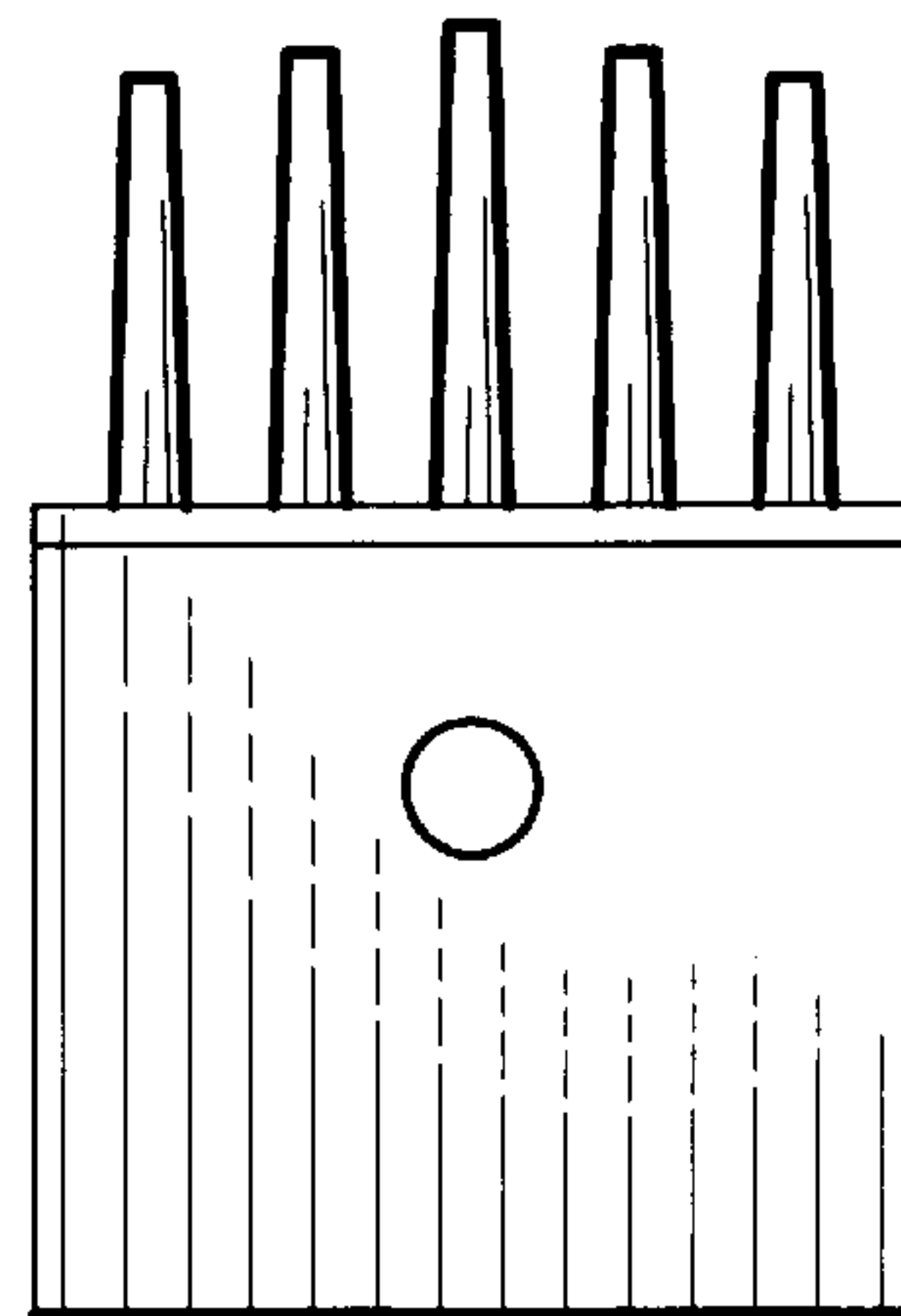


Fig. 6