



US00D524054S

(12) **United States Design Patent**  
**Cheng**

(10) **Patent No.:** **US D524,054 S**  
(45) **Date of Patent:** **\*\* Jul. 4, 2006**

(54) **BOTTOM CUFF OF GOLF BAG**

6,412,734 B1 \* 7/2002 Lin ..... 248/96  
6,494,416 B1 \* 12/2002 Wang ..... 248/96  
6,598,889 B1 \* 7/2003 Su ..... 280/DIG. 6

(76) Inventor: **Wen-Chien Cheng**, 4F, No. 8, Lane  
153, Sec. 2, Chung Hsin Road, Ta Li  
City, Taichung Hsien (TW)

\* cited by examiner

(\*\*) Term: **14 Years**

*Primary Examiner*—Louis S. Zarfes

*Assistant Examiner*—Monica A. Weingart

(21) Appl. No.: **29/226,485**

(74) *Attorney, Agent, or Firm*—Alan D. Kamrath; Nikolai  
& Mersereau, P.A.

(22) Filed: **Mar. 29, 2005**

(57) **CLAIM**

(51) **LOC (8) Cl.** ..... **03-99**

The ornamental design for a bottom cuff of golf bag, as  
shown and described.

(52) **U.S. Cl.** ..... **D3/328.1**

(58) **Field of Classification Search** ..... D3/318,  
D3/319, 320, 328.1, 254, 255; 206/315.2,  
206/315.3, 315.4, 315.5, 315.6, 315.7, 315.8,  
206/315.11; 211/70.2; 248/96; 280/DIG. 6;  
473/287

**DESCRIPTION**

See application file for complete search history.

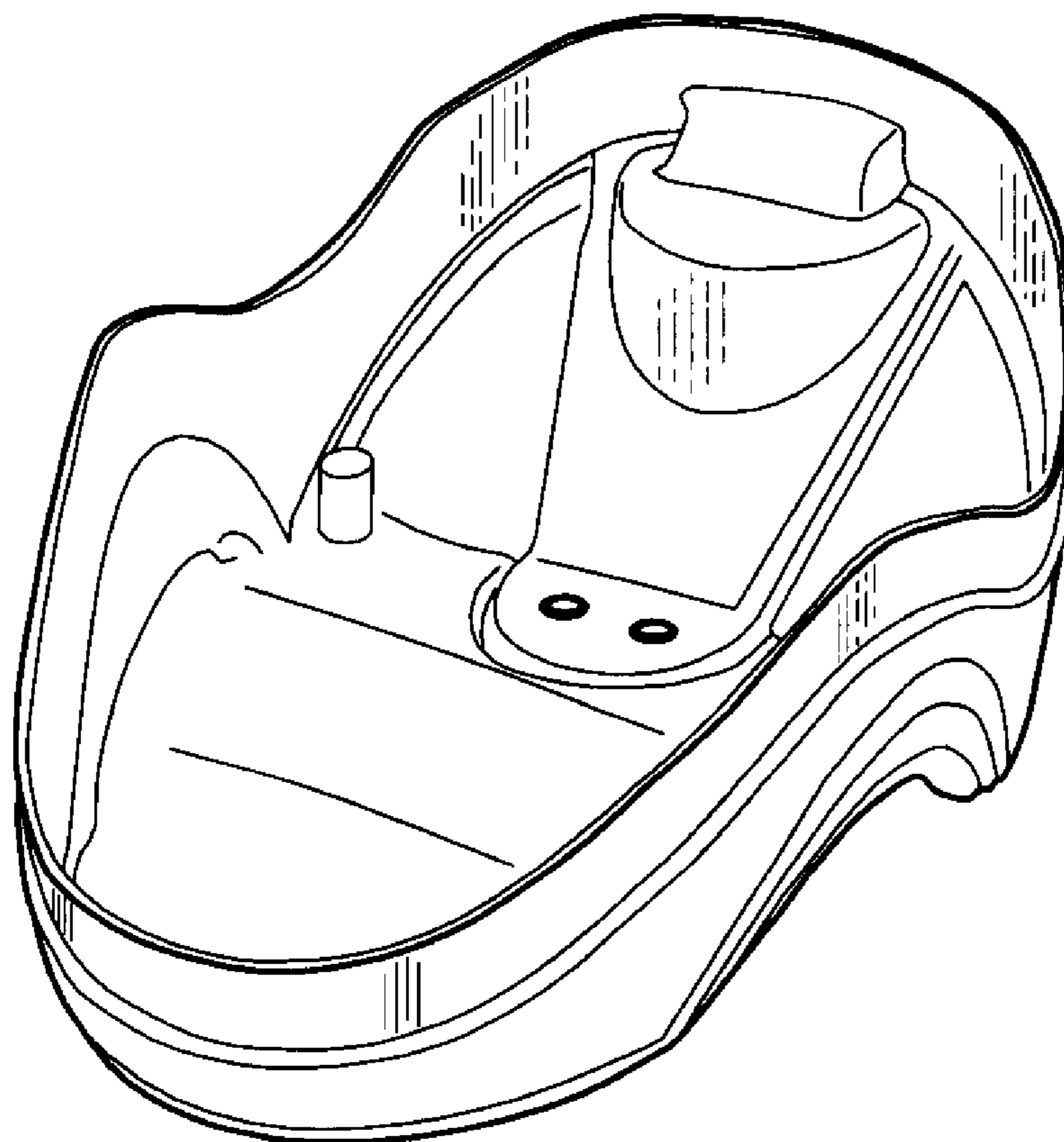
FIG. 1 is a perspective view of a bottom cuff of golf bag  
showing my design;  
FIG. 2 is a front elevational view thereof;  
FIG. 3 is a rear elevational view thereof;  
FIG. 4 is a left side elevational view thereof;  
FIG. 5 is a right side elevational view thereof;  
FIG. 6 is a top plan view thereof; and,  
FIG. 7 is a bottom plan view thereof.

(56) **References Cited**

**U.S. PATENT DOCUMENTS**

D206,010 S \* 10/1966 Wilkens ..... D3/255  
D435,723 S \* 1/2001 Shin ..... D3/255  
D450,188 S \* 11/2001 Maeng ..... D3/320

**1 Claim, 4 Drawing Sheets**



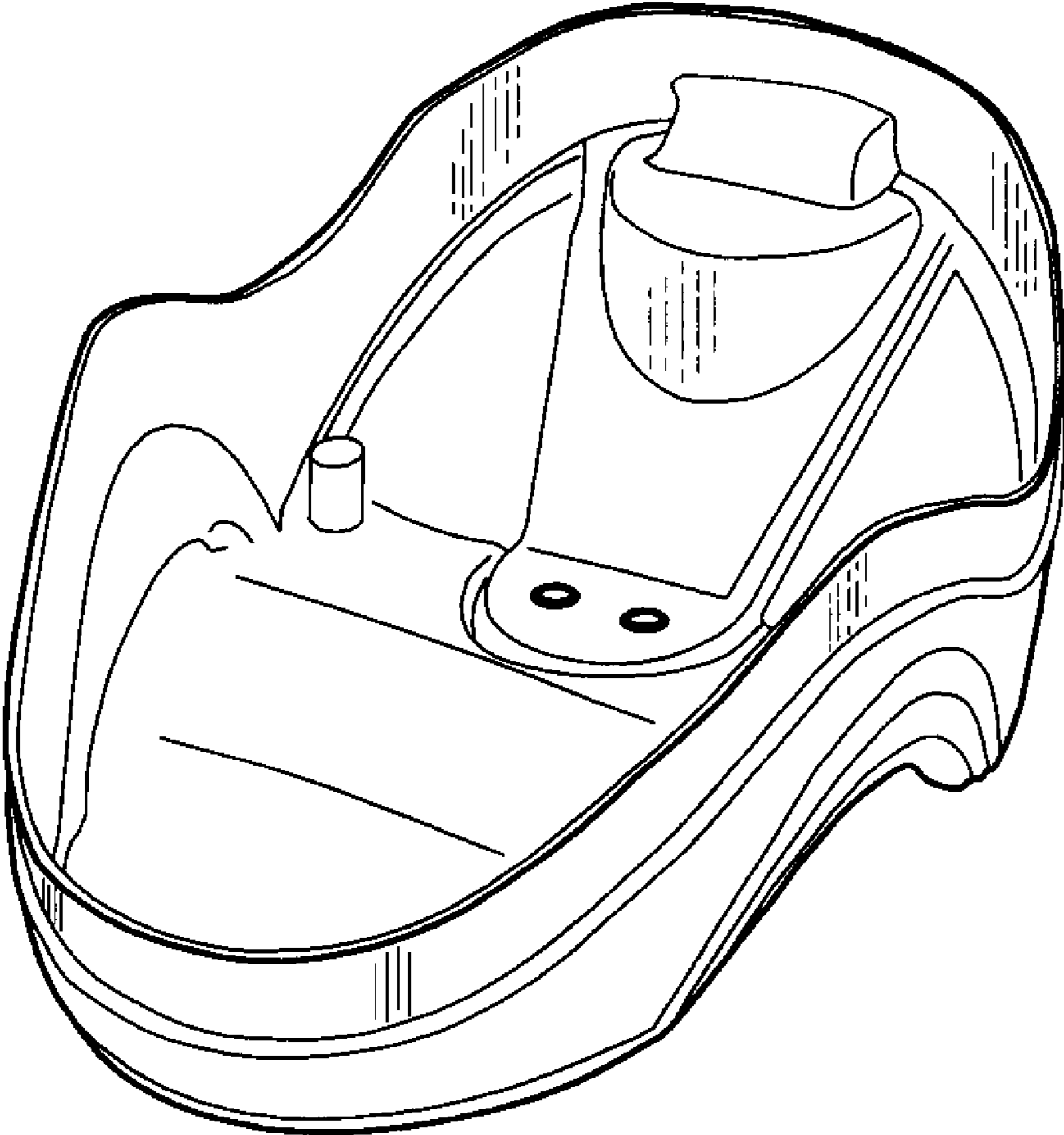


FIG. 1

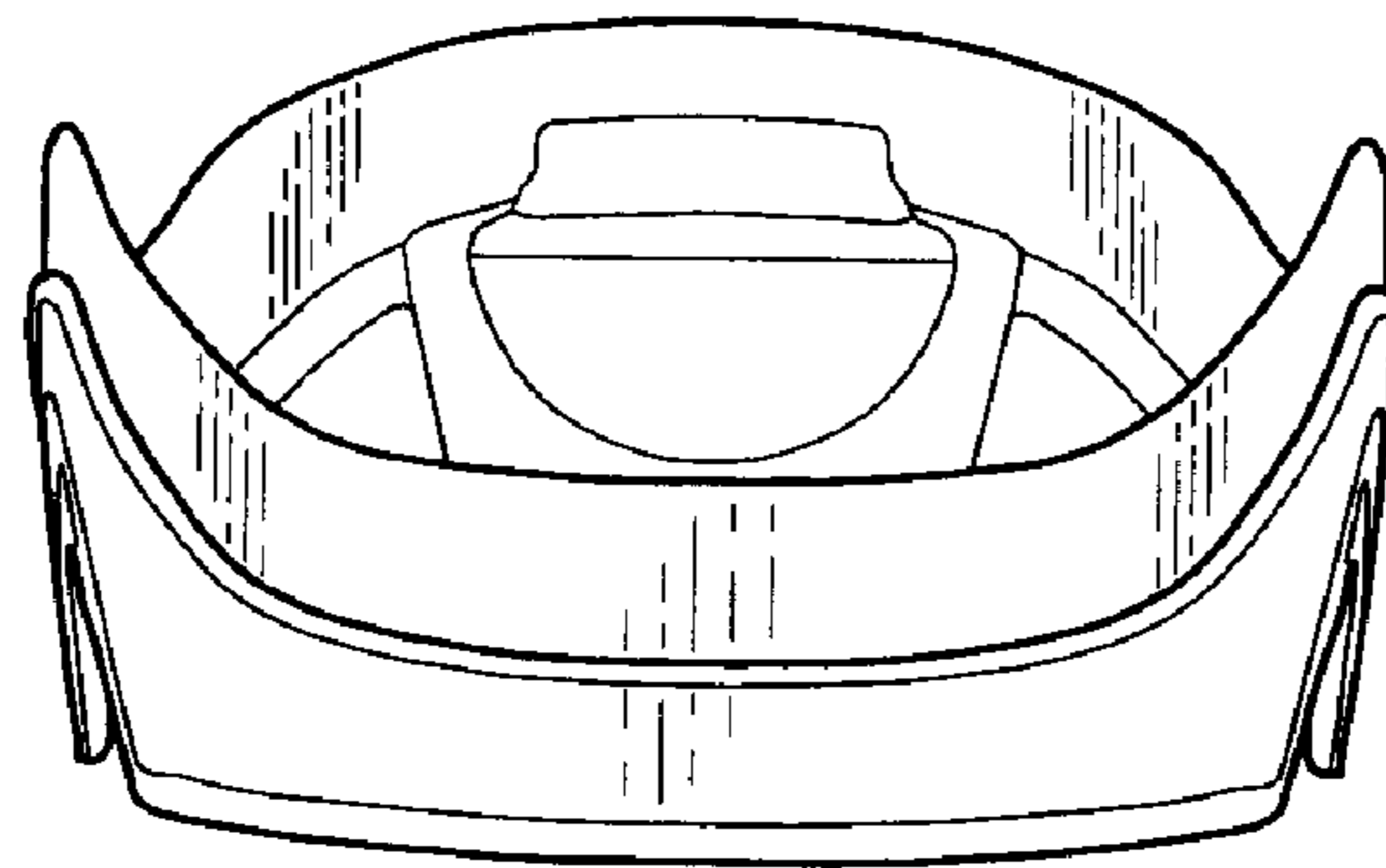


FIG. 2

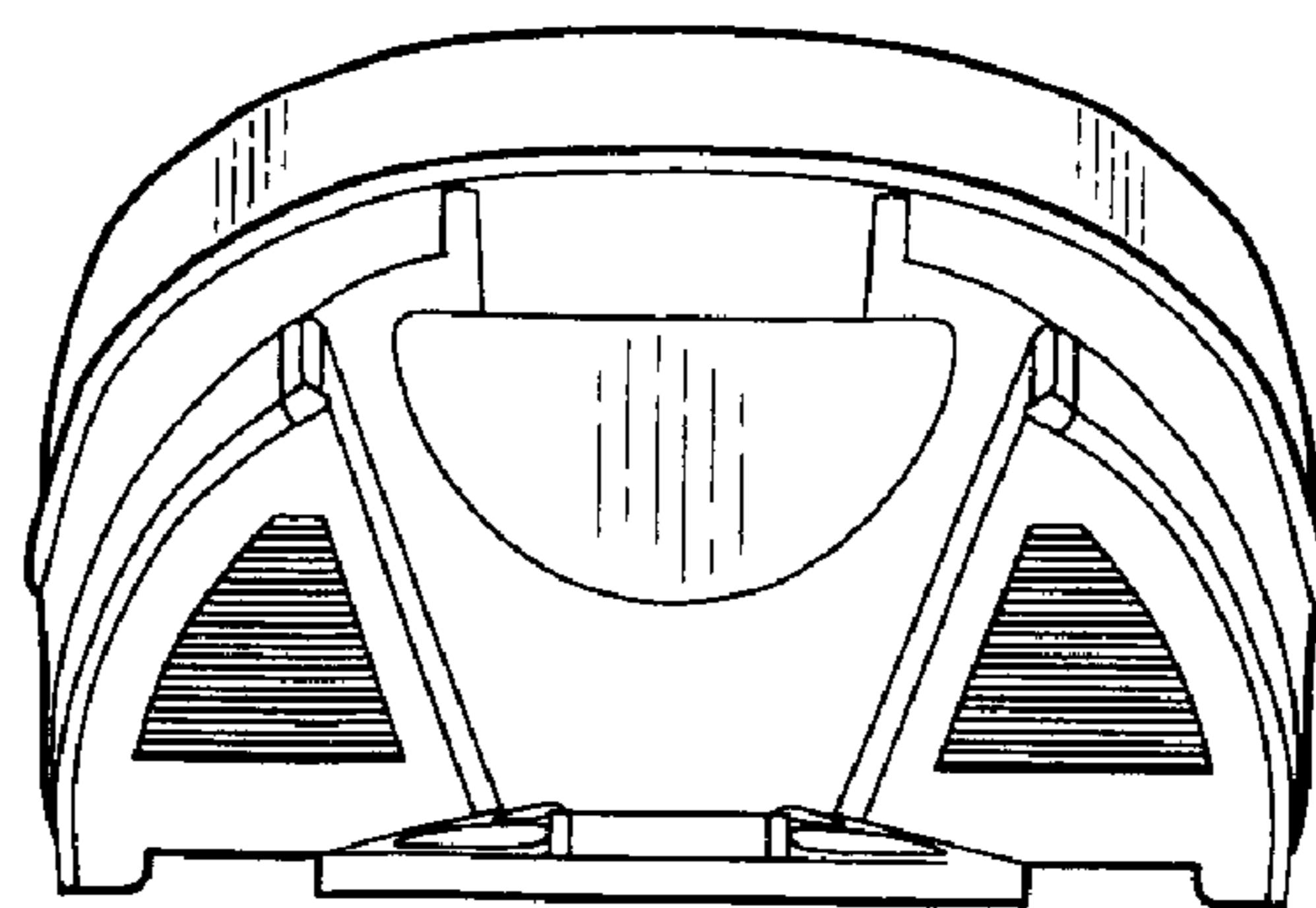


FIG. 3

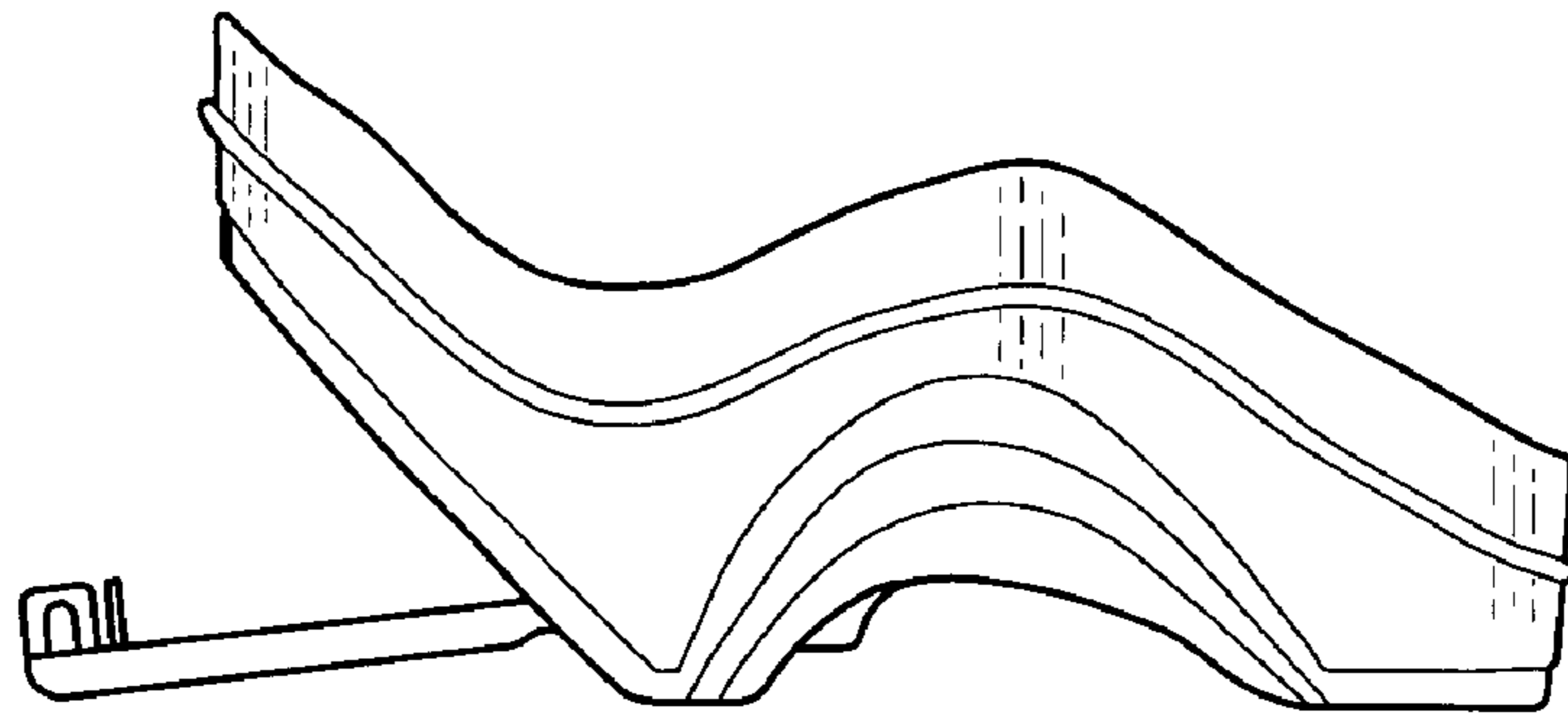


FIG. 4

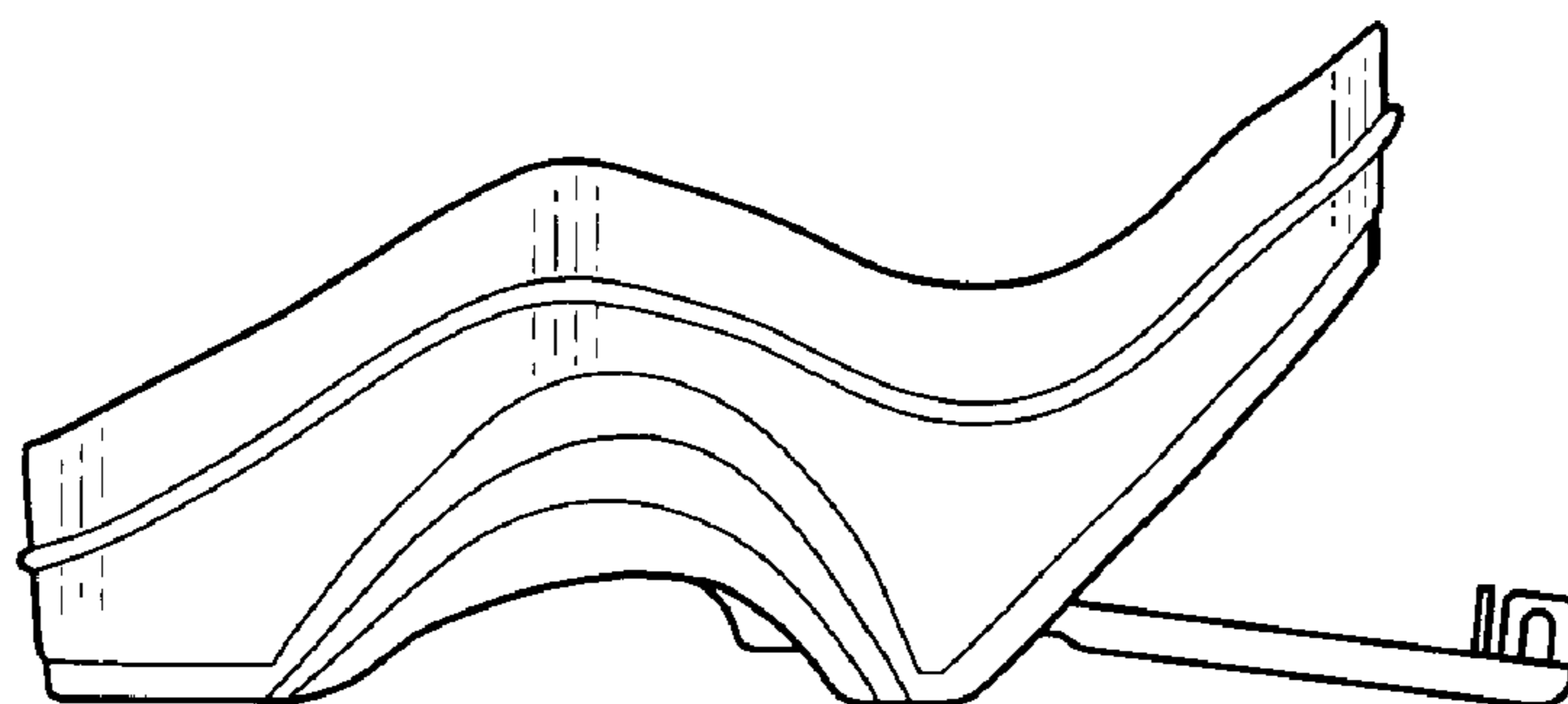


FIG. 5

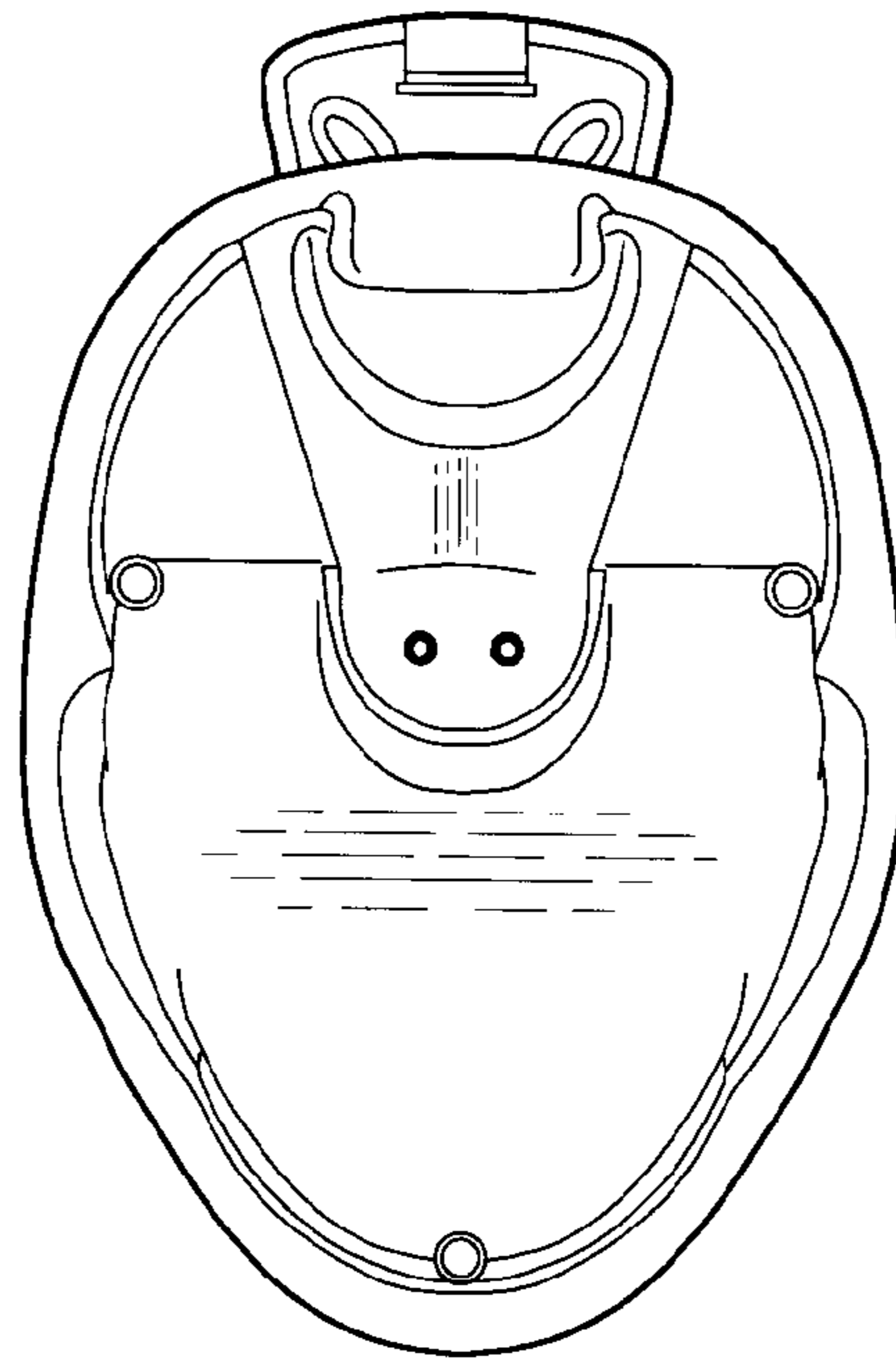


FIG. 6

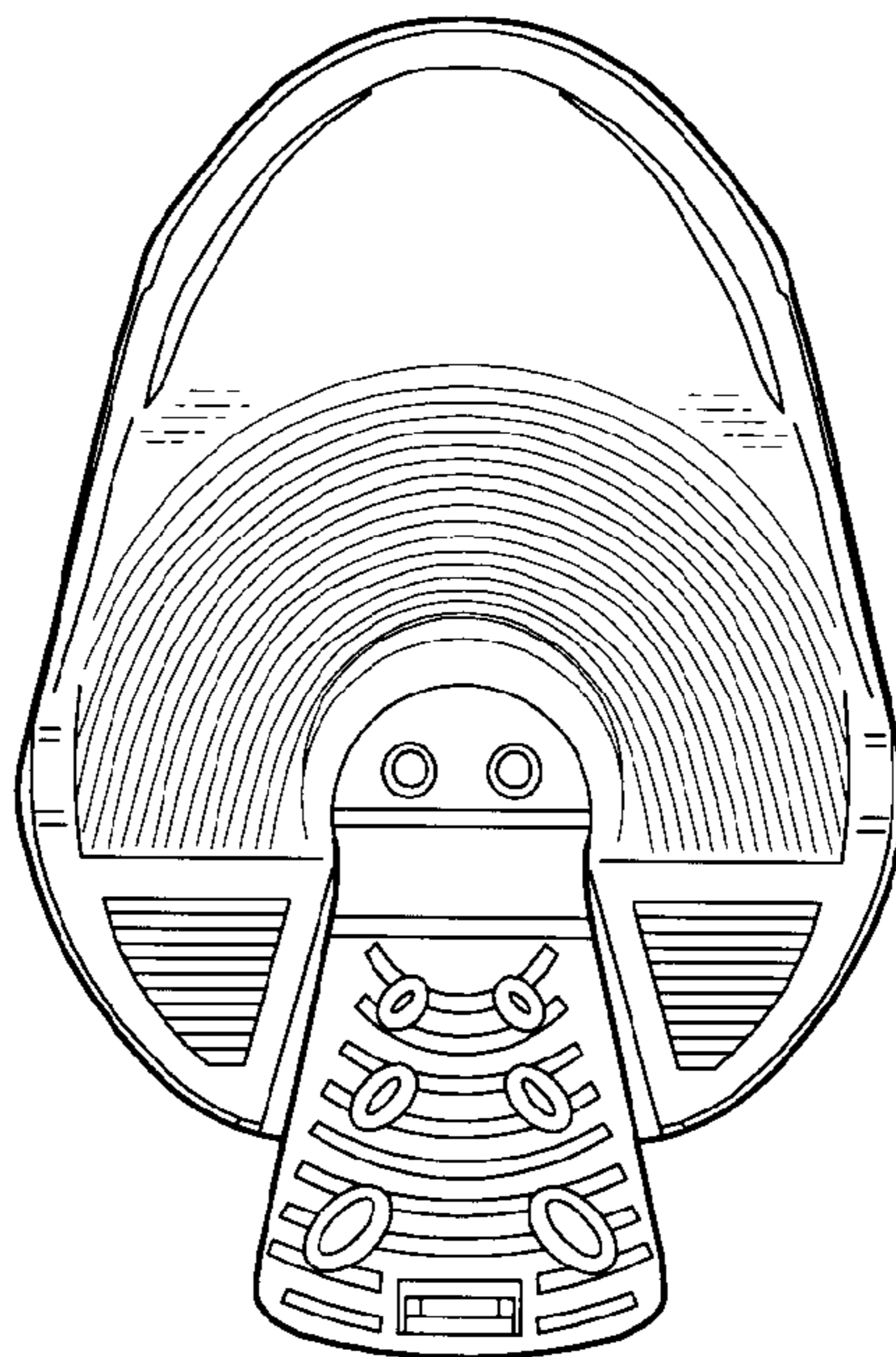


FIG. 7