

US00D524050S

(12) **United States Design Patent**  
**Suppancig**

(10) **Patent No.:** **US D524,050 S**

(45) **Date of Patent:** **\*\* Jul. 4, 2006**

(54) **BRIEFCASE**

(75) **Inventor:** **Massimo Suppancig, Milan (IT)**

(73) **Assignee:** **Valextra S.R.I., Milan (IT)**

(\*\*) **Term:** **14 Years**

(21) **Appl. No.:** **29/232,154**

(22) **Filed:** **Jun. 15, 2005**

(30) **Foreign Application Priority Data**

Dec. 16, 2004 (EM) ..... 000270228

(51) **LOC (8) Cl.** ..... **03-01**

(52) **U.S. Cl.** ..... **D3/289; D3/900**

(58) **Field of Classification Search** ..... D3/273,  
D3/276, 283, 287-289, 291, 293, 301, 900;  
190/100, 102, 108, 111-114, 119, 900, 903  
See application file for complete search history.

(56) **References Cited**

**U.S. PATENT DOCUMENTS**

D260,948 S	*	9/1981	Katz et al.	.....	D3/287
D283,760 S	*	5/1986	Gibbs	.....	D3/287
D285,747 S	*	9/1986	Davis et al.	.....	D3/283
D294,085 S	*	2/1988	Gibbs	.....	D3/287
4,925,021 A	*	5/1990	Pulichino, Jr.	.....	206/279
4,932,506 A	*	6/1990	Kim	.....	190/111
D338,104 S	*	8/1993	Lee	.....	D3/287
D346,694 S	*	5/1994	Cyr et al.	.....	D3/287

5,423,404 A	*	6/1995	Shaw	.....	190/102
5,494,157 A	*	2/1996	Golenz et al.	.....	206/320
D376,045 S	*	12/1996	Bernstein et al.	.....	D3/287
D479,652 S	*	9/2003	Hassett	.....	D3/301

\* cited by examiner

*Primary Examiner*—Philip S. Hyder

*Assistant Examiner*—RoseLynne Ulm

(74) *Attorney, Agent, or Firm*—Hedman & Costigan; James V. Costigan

(57) **CLAIM**

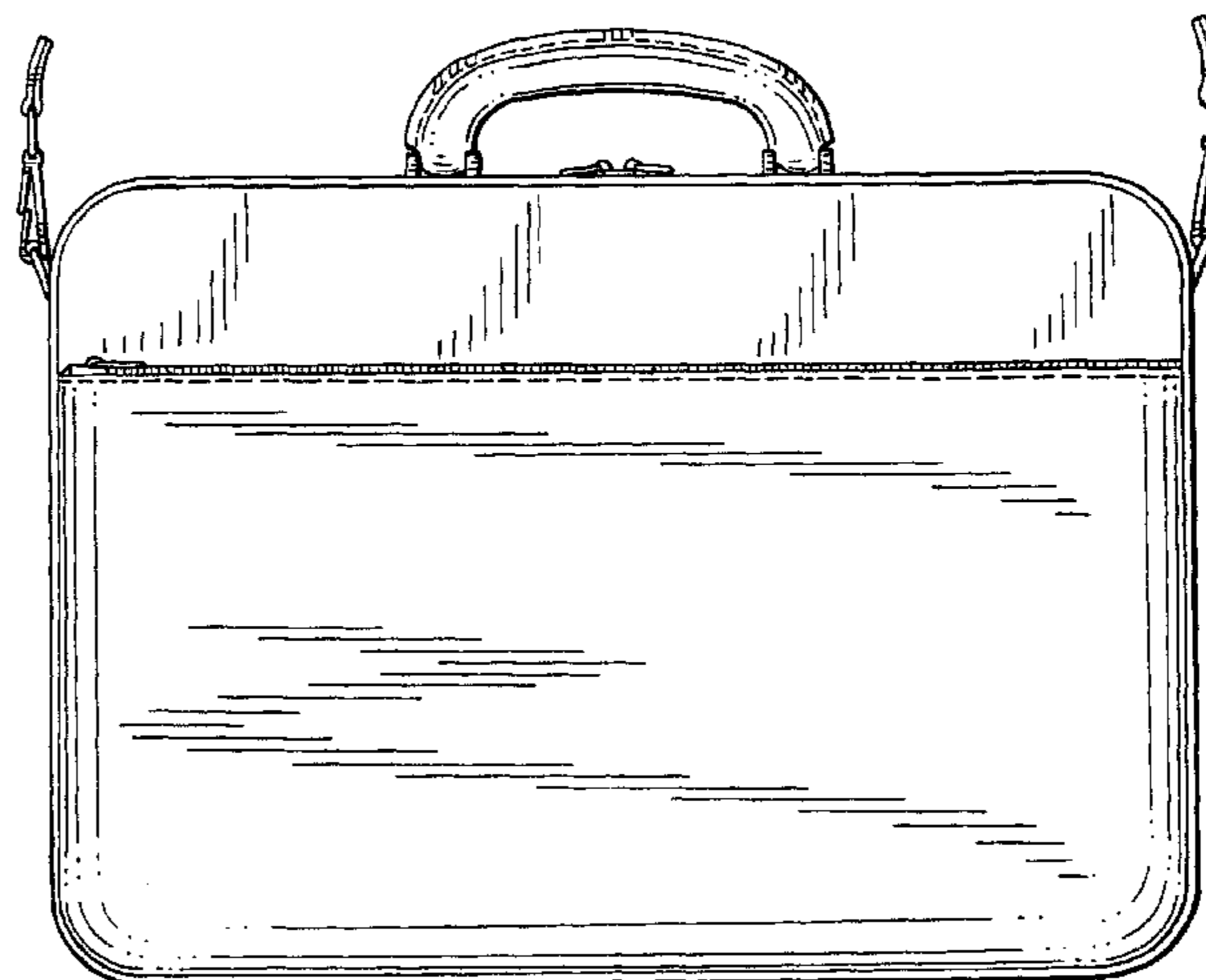
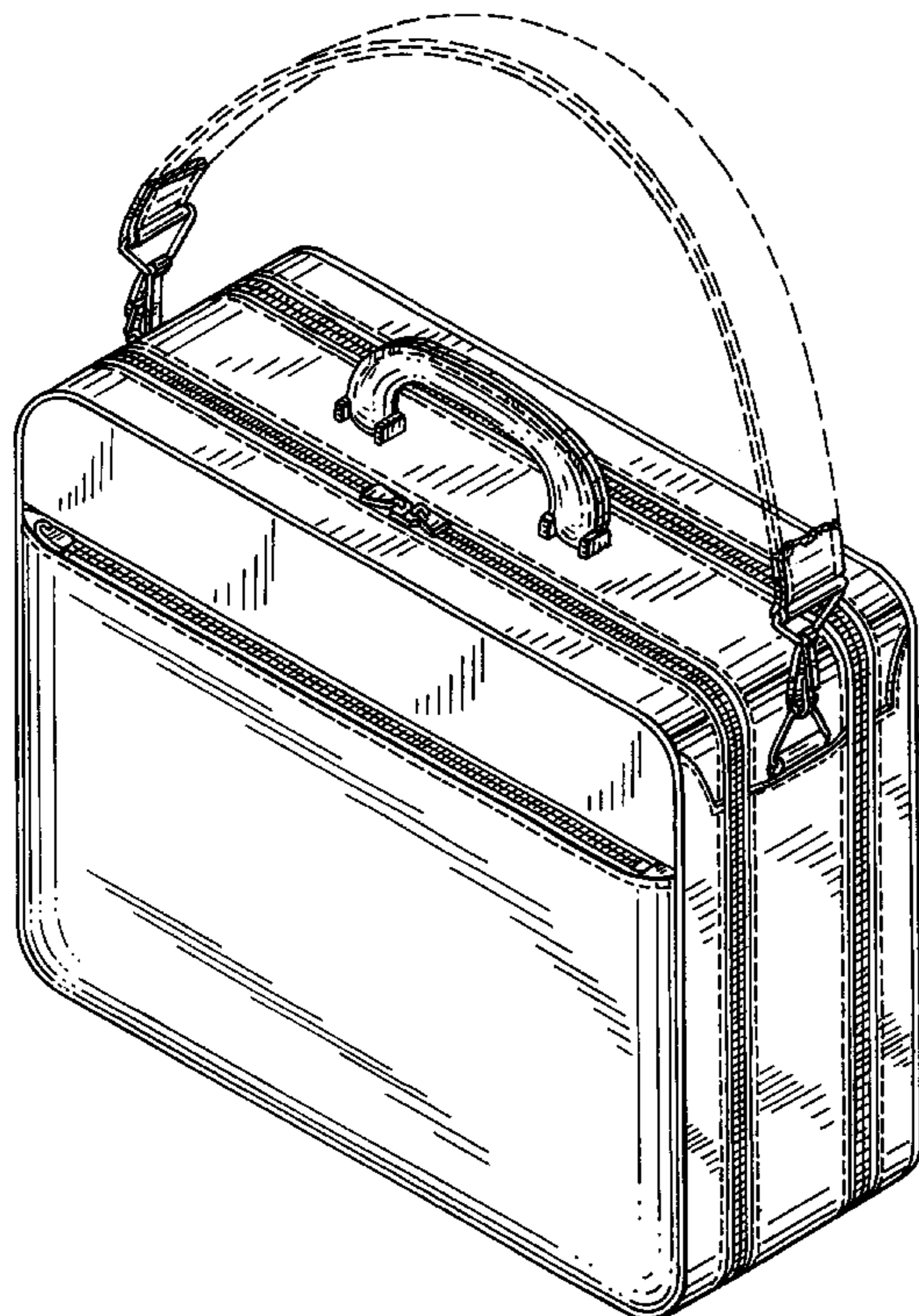
The ornamental design for a briefcase, as shown and described.

**DESCRIPTION**

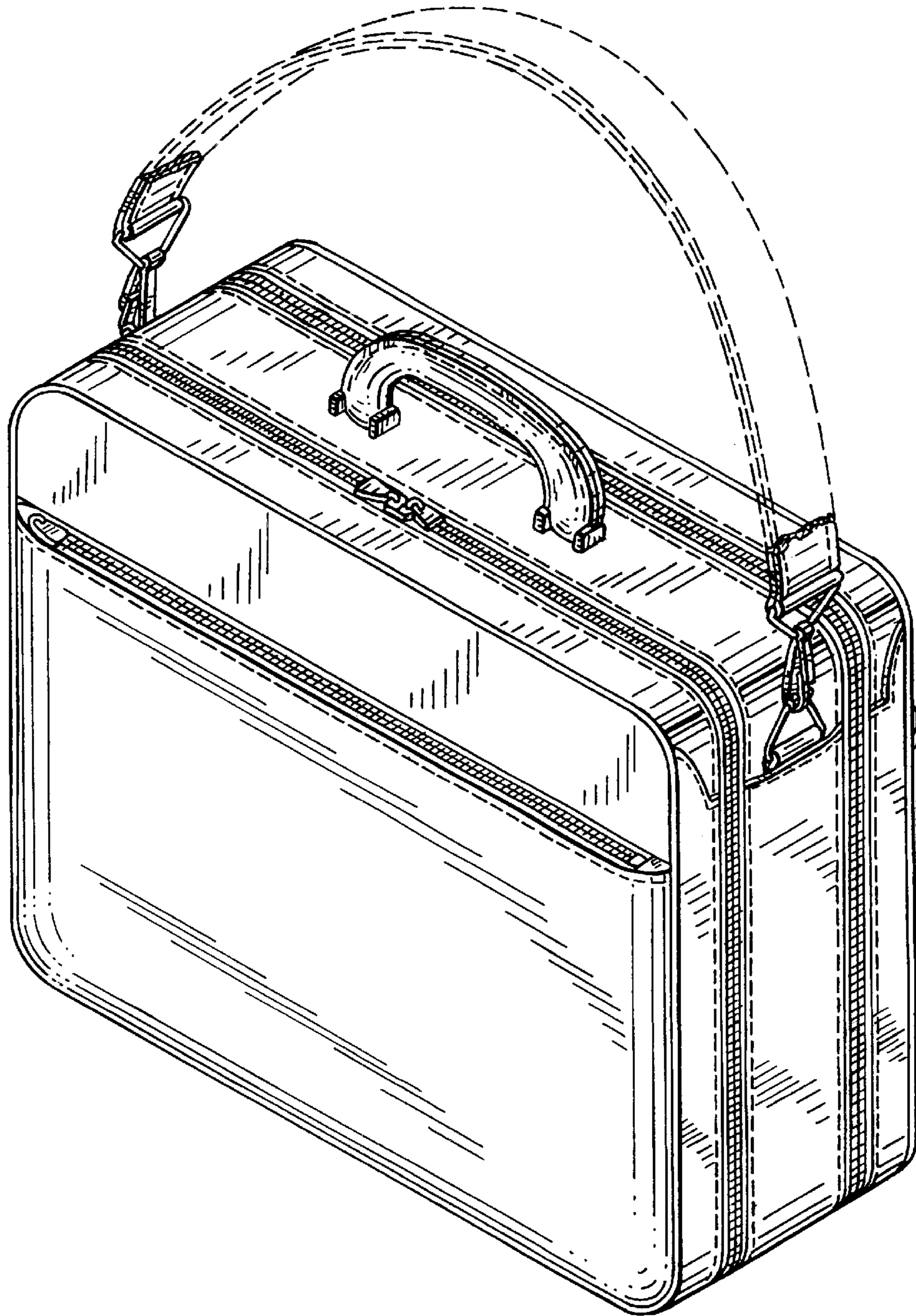
FIG. 1 is a perspective view of the briefcase of the invention; FIG. 2 is a top plan view of the briefcase of the invention; FIG. 3 is a front view of the briefcase of the invention; FIG. 4 is a left side view of the briefcase of the invention; FIG. 5 is a right side view of the briefcase of the invention; FIG. 6 is a back view of the briefcase of the invention; and, FIG. 7 is a bottom plan view of the briefcase of the invention.

The broken line showing of a shoulder strap in FIG. 1 is for illustrative purposes only and forms no part of the claimed design. In all other cases throughout the drawing disclosure, the broken lines represent stitching and do form a part of the claimed design.

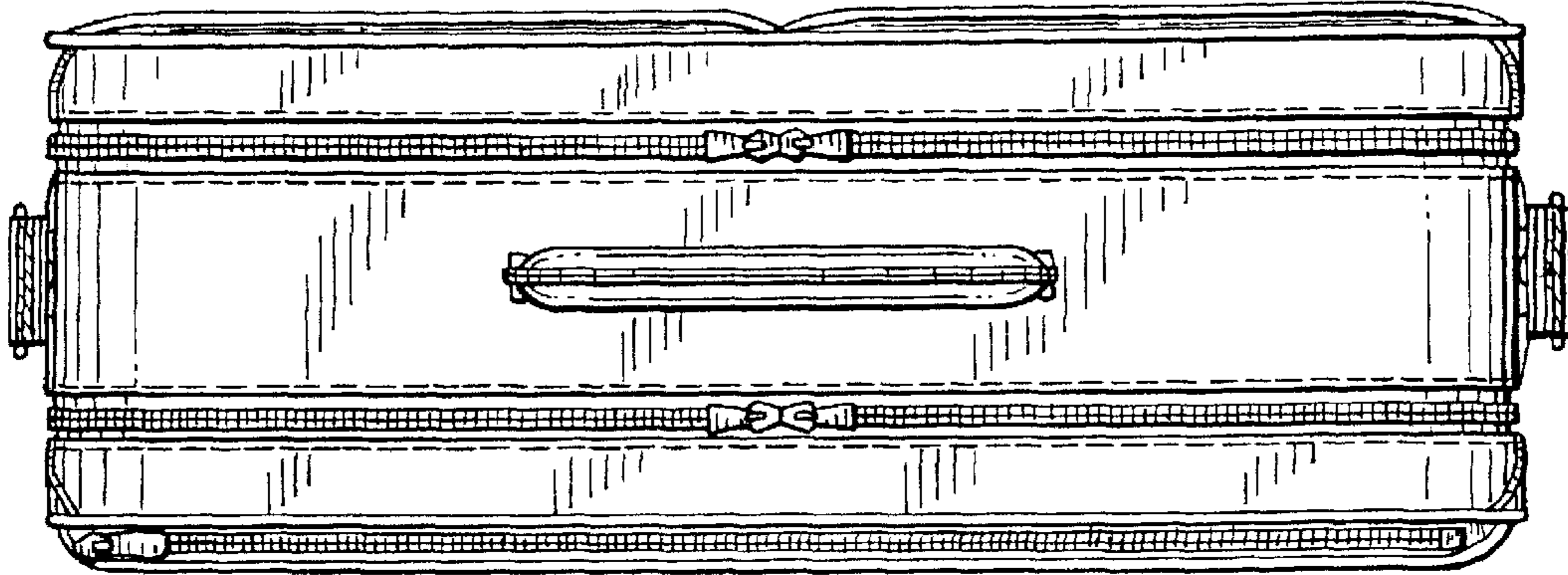
**1 Claim, 4 Drawing Sheets**



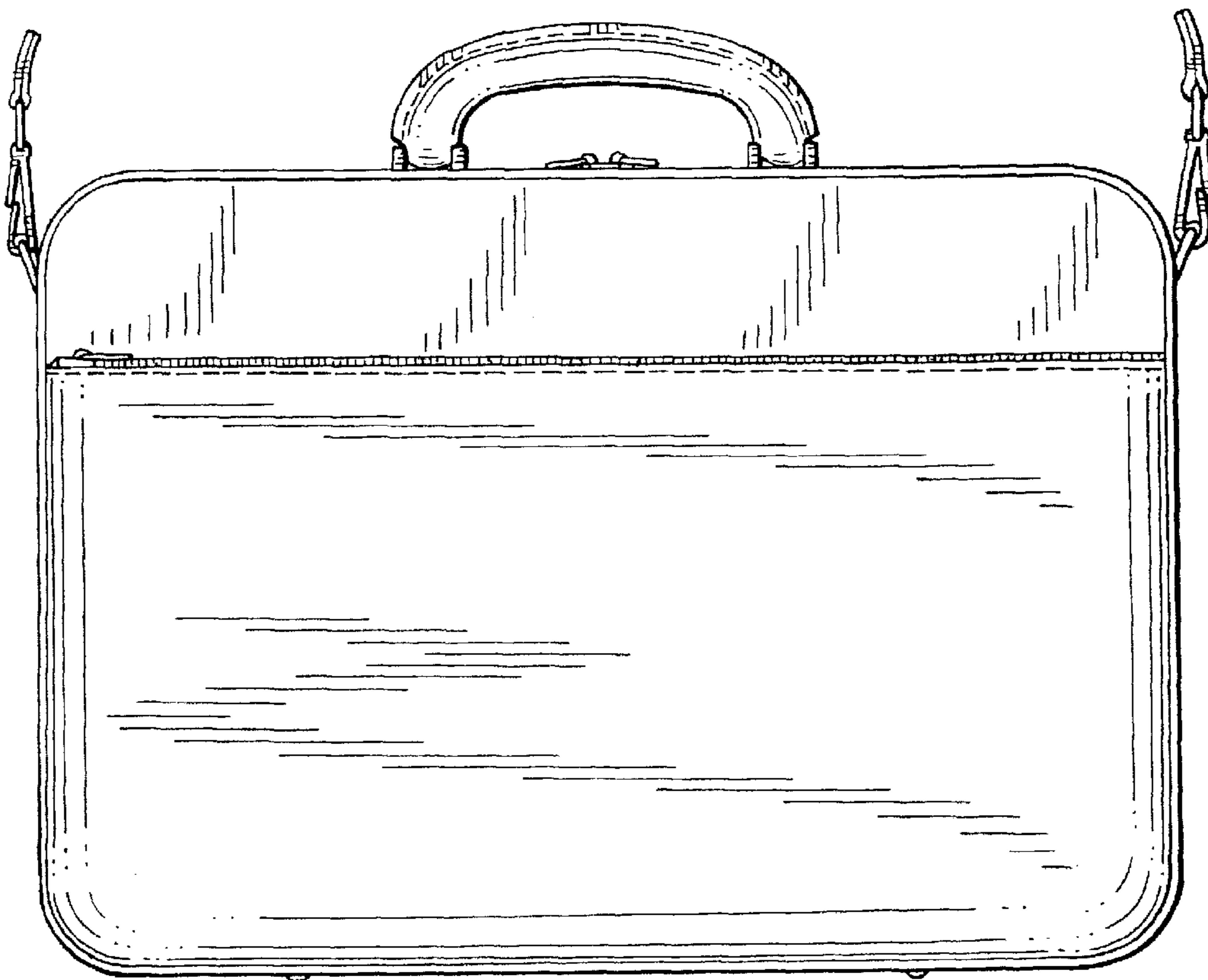
*FIG. 1*



*FIG. 2*



*FIG. 3*



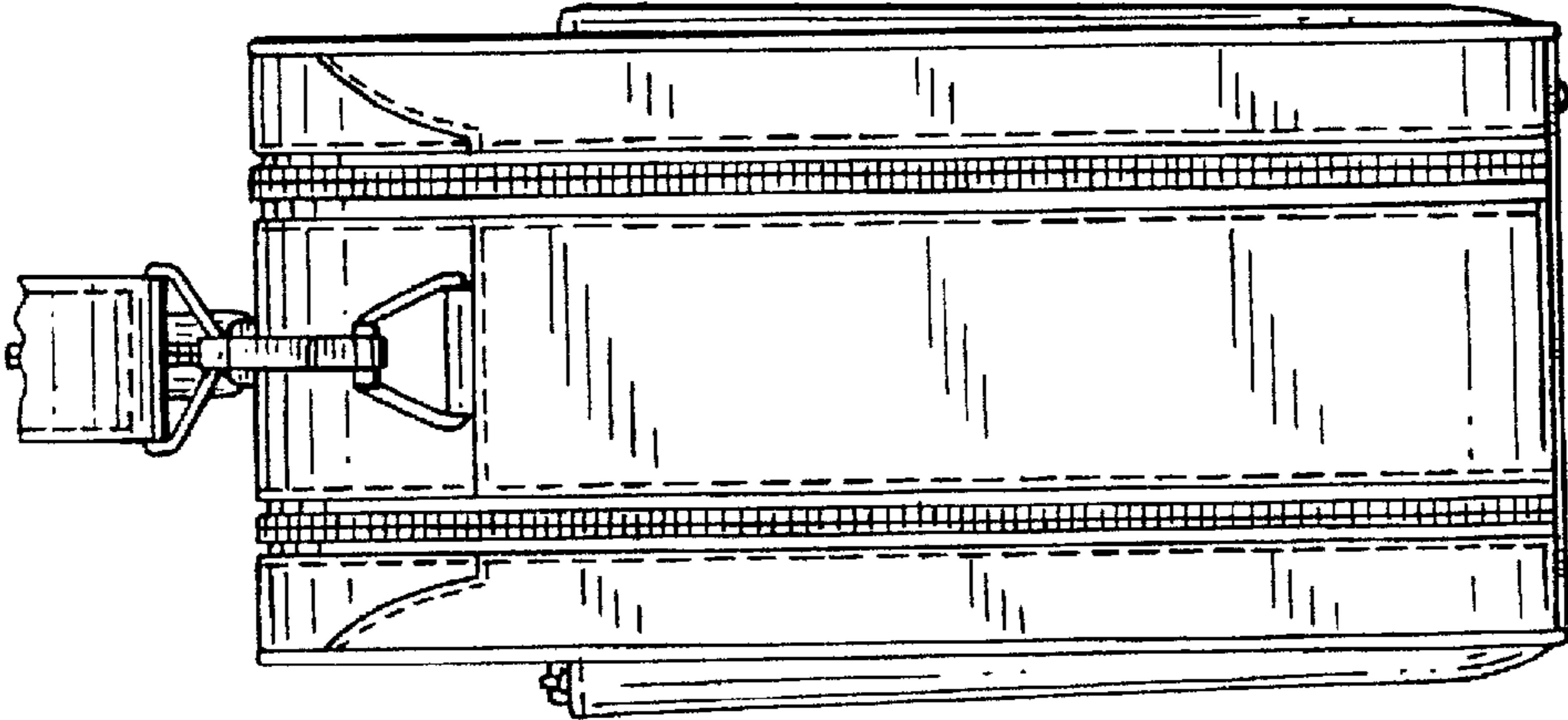


FIG. 4

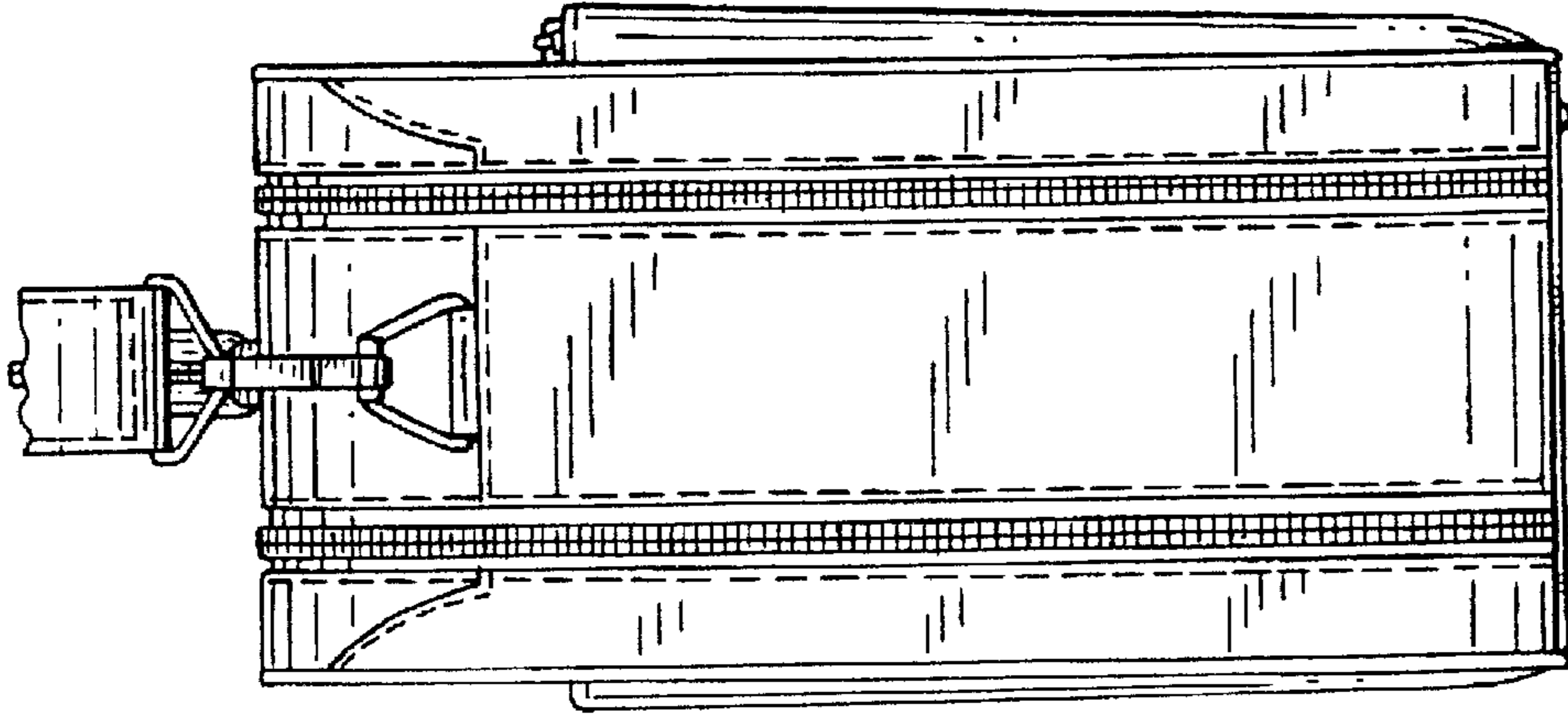


FIG. 5

FIG. 6

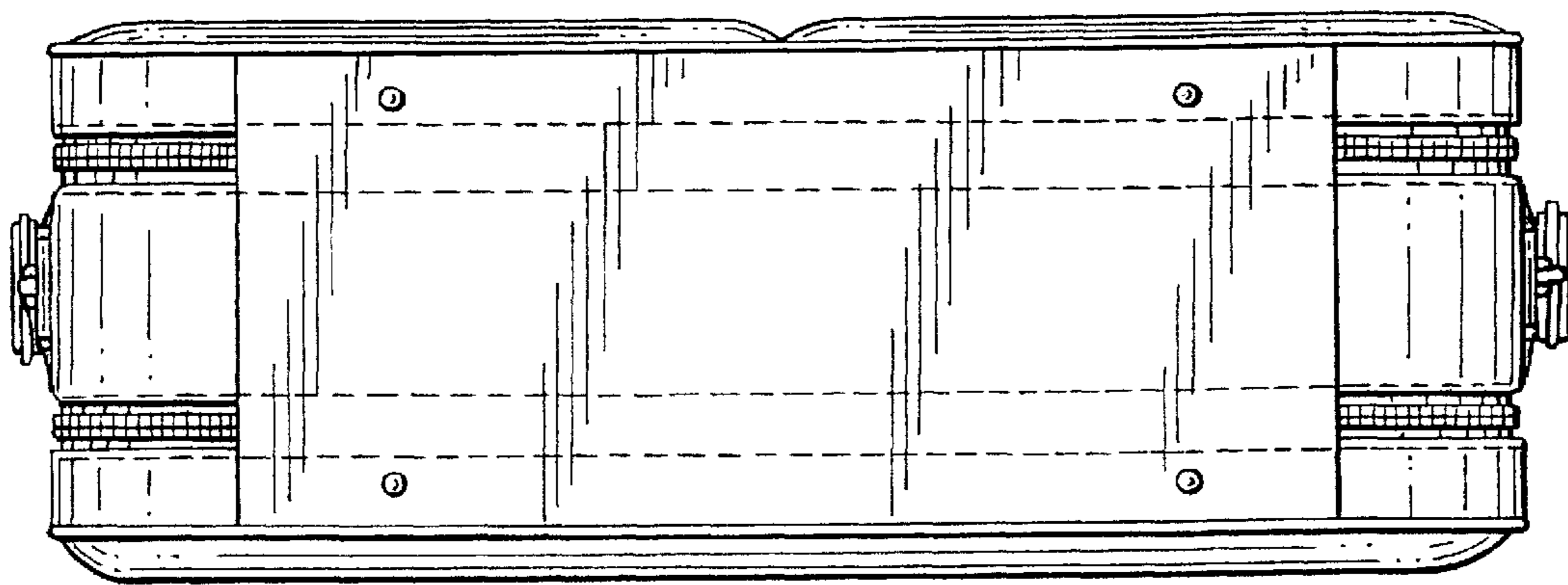
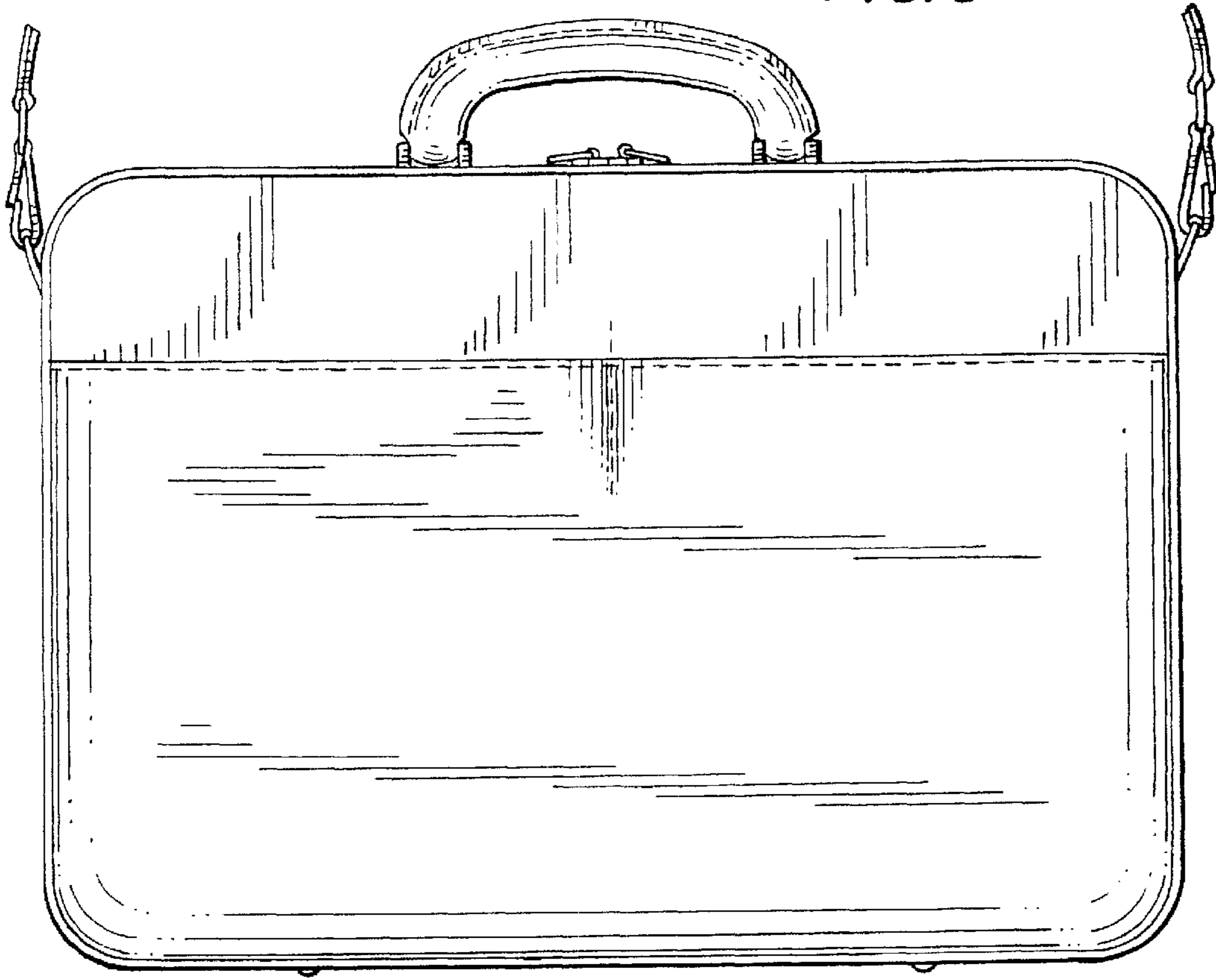


FIG. 7