

US00D524049S

(12) **United States Design Patent**  
**Hughes**

(10) **Patent No.:** **US D524,049 S**  
(45) **Date of Patent:** **\*\* Jul. 4, 2006**

- (54) **MEDICAL ORGANIZER TRAVEL BAG**
- (76) Inventor: **Linda M. Hughes**, 16875 66<sup>th</sup> Ave.  
North, Maple Grove, MN (US) 55311
- (\*\*) Term: **14 Years**
- (21) Appl. No.: **29/227,692**
- (22) Filed: **Apr. 14, 2005**
- (51) **LOC (8) Cl.** ..... **03-01**
- (52) **U.S. Cl.** ..... **D3/289; D3/276**
- (58) **Field of Classification Search** ..... D3/203.1,  
D3/203.6-203.8, 273, 276, 283-285, 287-289,  
D3/291, 293, 301, 900; 150/100, 103-104,  
150/107; 190/111, 115-116, 903; 206/526,  
206/570, 828  
See application file for complete search history.

(56) **References Cited**

**U.S. PATENT DOCUMENTS**

1,995,799	A	3/1935	Doniger	
3,058,584	A	10/1962	Marshall	
3,148,515	A	9/1964	Jentis et al.	
D247,928	S	5/1978	Gleichert	
4,250,998	A	2/1981	Taylor	
4,343,158	A	8/1982	Campbell	
4,386,642	A	* 6/1983	Durbin	190/110
4,429,793	A	2/1984	Ehmann	
4,446,970	A	5/1984	Further	
4,738,364	A	4/1988	Yeager	
4,767,008	A	8/1988	Warnecke et al.	
4,863,451	A	9/1989	Marder	
D313,505	S	1/1991	Leopoldi et al.	
5,052,555	A	* 10/1991	Harmon	206/315.11
5,135,144	A	8/1992	Blakely et al.	
5,207,303	A	* 5/1993	Oswalt et al.	190/108
D340,132	S	10/1993	Coyle et al.	
D343,286	S	1/1994	Lewis	
5,390,791	A	2/1995	Yeager	
D360,977	S	* 8/1995	Katz	D3/276
5,462,163	A	10/1995	Berry	

D379,267	S	* 5/1997	Roegner	D3/285
D396,750	S	* 8/1998	Slater et al.	D3/295
5,833,330	A	11/1998	Kos	
5,865,032	A	2/1999	MacPherson et al.	
5,865,314	A	* 2/1999	Jacober	206/570
D407,559	S	* 4/1999	Roegner	D3/319
D409,382	S	* 5/1999	Erlanson	D3/233
6,253,570	B1	7/2001	Lustig	
D449,158	S	* 10/2001	Banks	D3/205
D458,749	S	* 6/2002	Bruni et al.	D3/289
D464,197	S	* 10/2002	Kegels	D3/289
D485,065	S	* 1/2004	Pelleg	D3/289
6,779,638	B1	8/2004	Renz et al.	
6,781,522	B1	8/2004	Sleva et al.	
2004/0093891	A1	5/2004	Keeter et al.	
2005/0029156	A1	* 2/2005	Girzaitis	206/570

\* cited by examiner

*Primary Examiner*—Philip S. Hyder  
*Assistant Examiner*—RoseLynne (Ulm) Cody  
(74) *Attorney, Agent, or Firm*—Fredrikson & Byron, P.A.

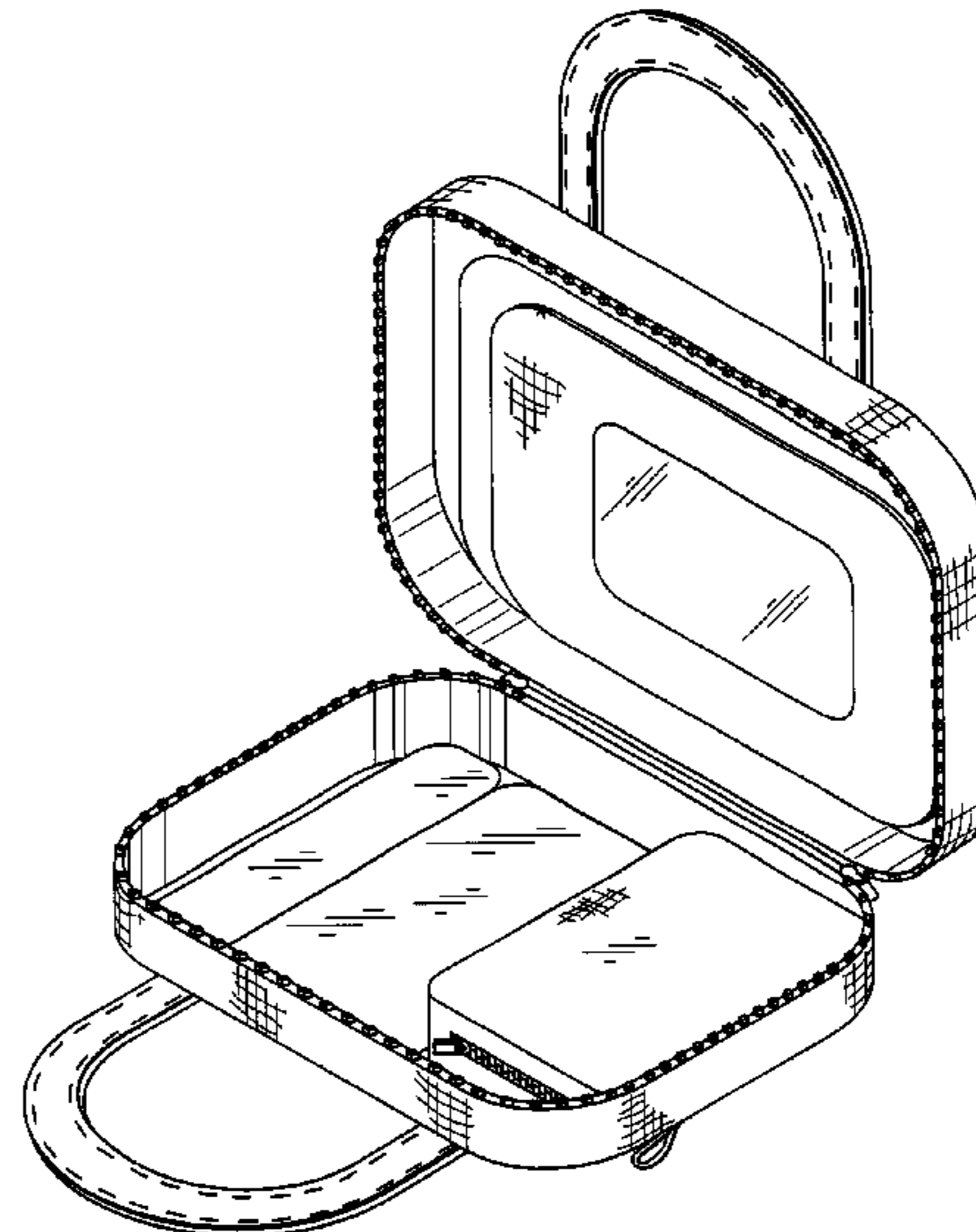
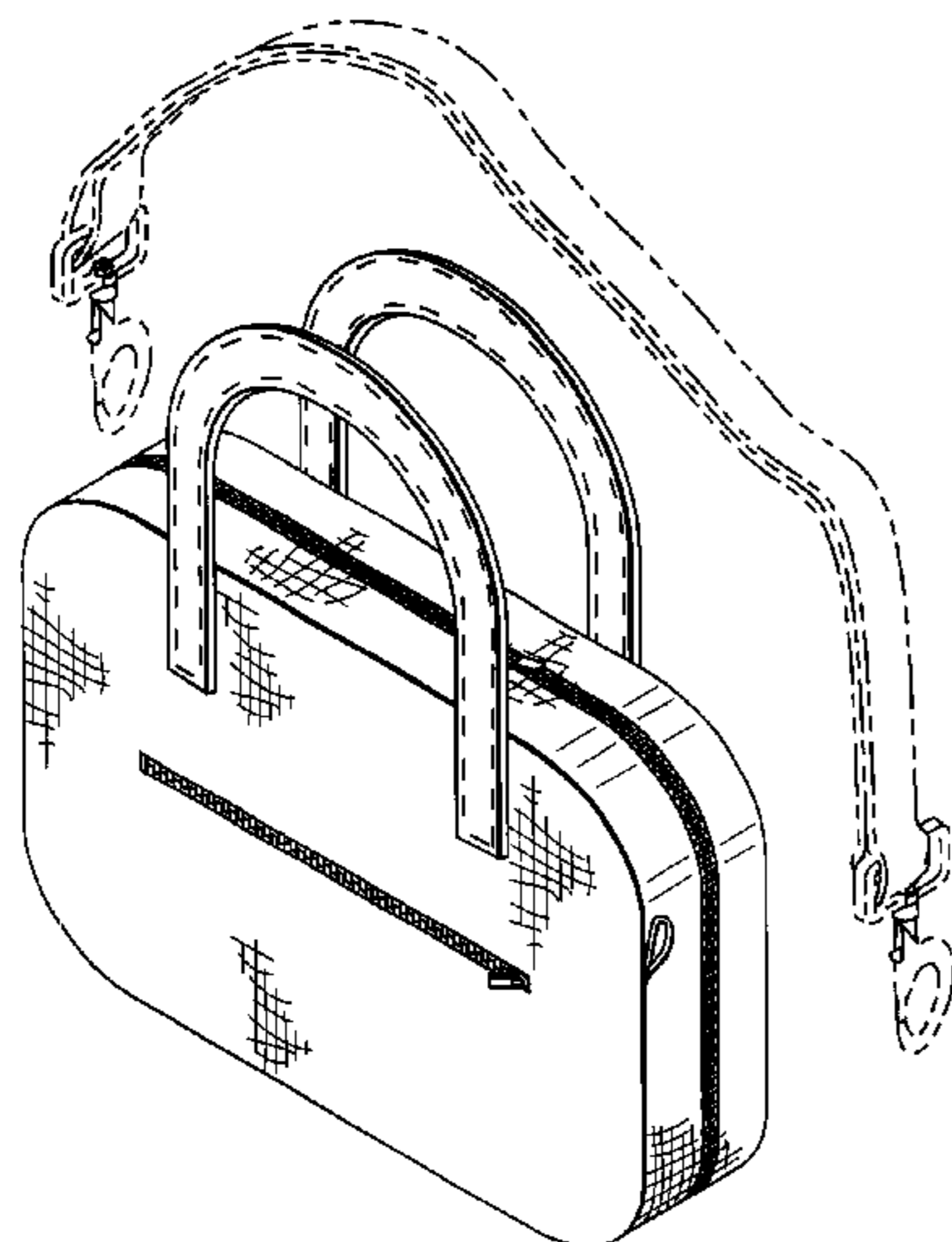
(57) **CLAIM**

I claim the ornamental design for the medical organizer travel bag, as shown and described.

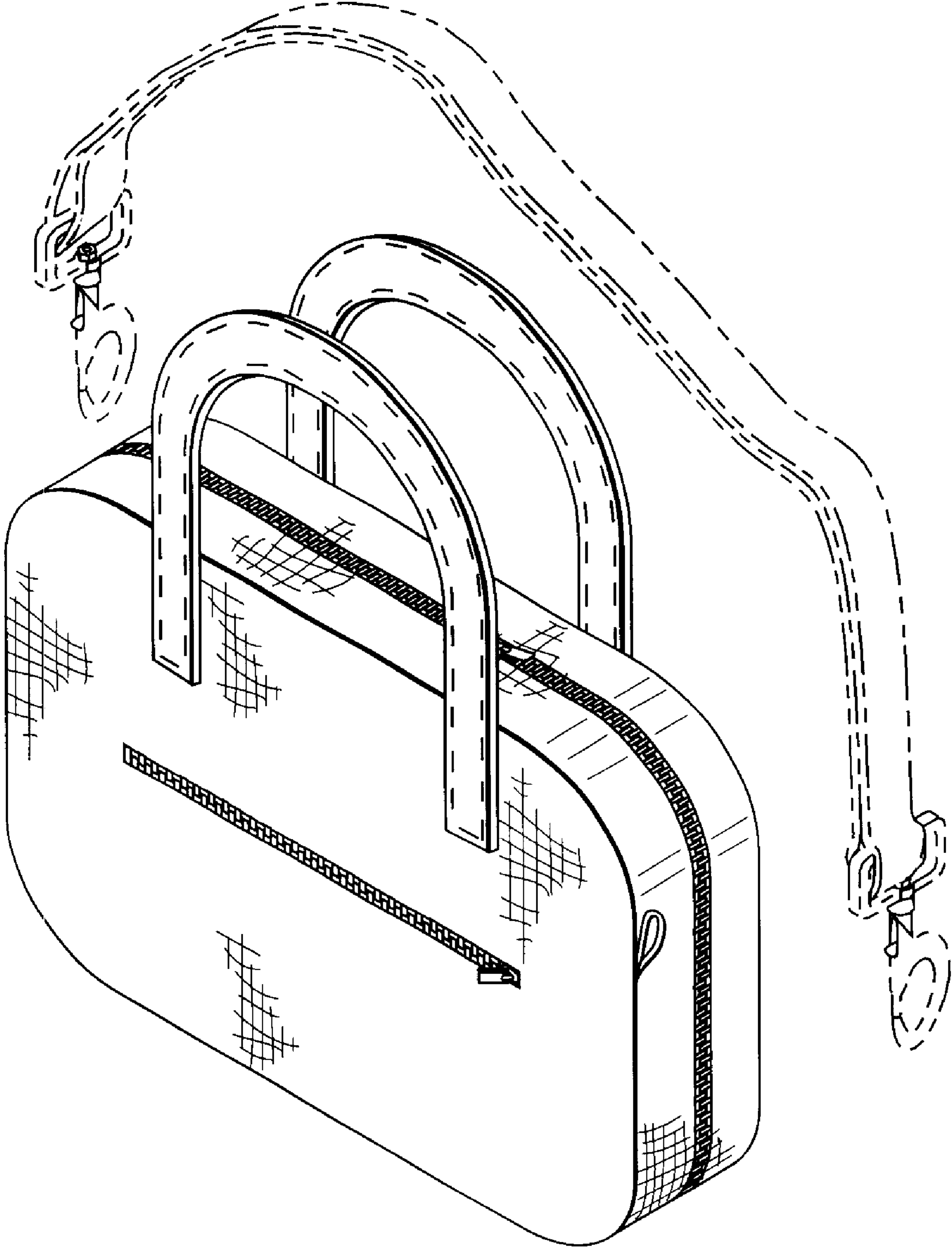
**DESCRIPTION**

FIG. 1 is a front, top, right side perspective view of the medical organizer travel bag of my new design;  
FIG. 2 is a top, right side perspective view of its open position thereof;  
FIG. 3 is a front view thereof;  
FIG. 4 is a rear view thereof;  
FIG. 5 is a right side view thereof;  
FIG. 6 is a left side view thereof;  
FIG. 7 is a top view thereof; and,  
FIG. 8 is a bottom view thereof.  
The broken line showing of the strap in FIG. 1 is for illustrative purposes only and forms no part of the claimed design.

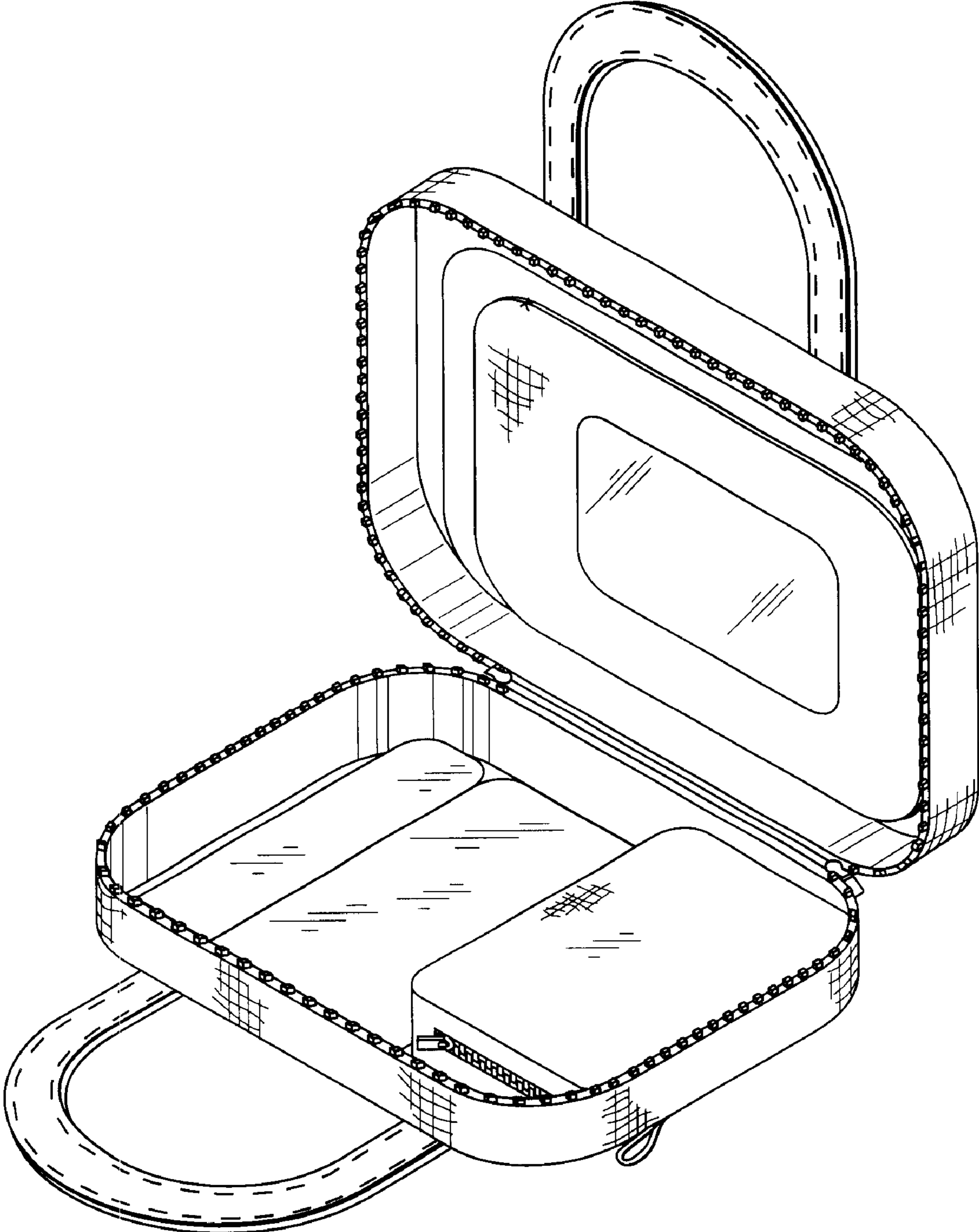
**1 Claim, 4 Drawing Sheets**



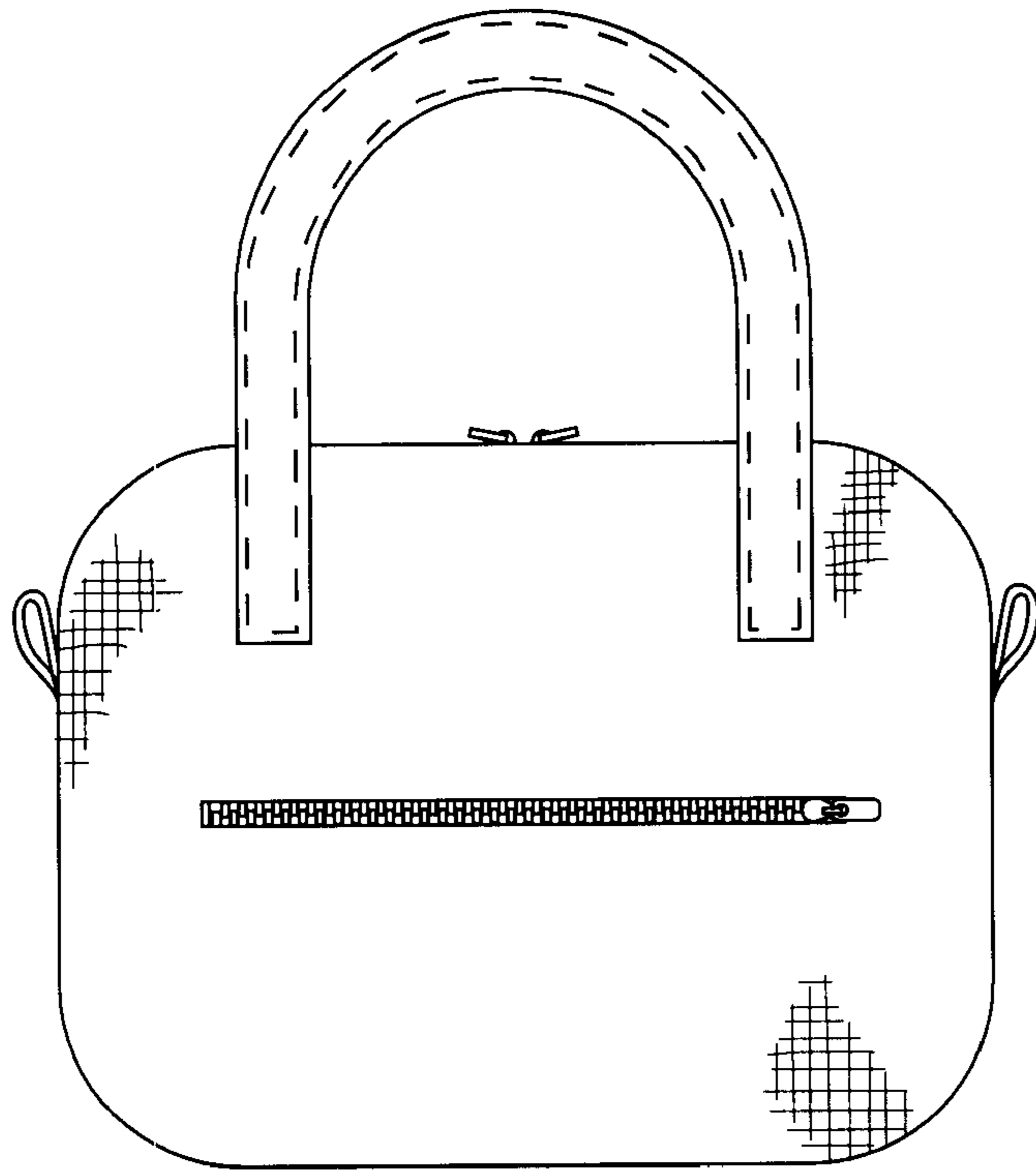
**Fig. 1**



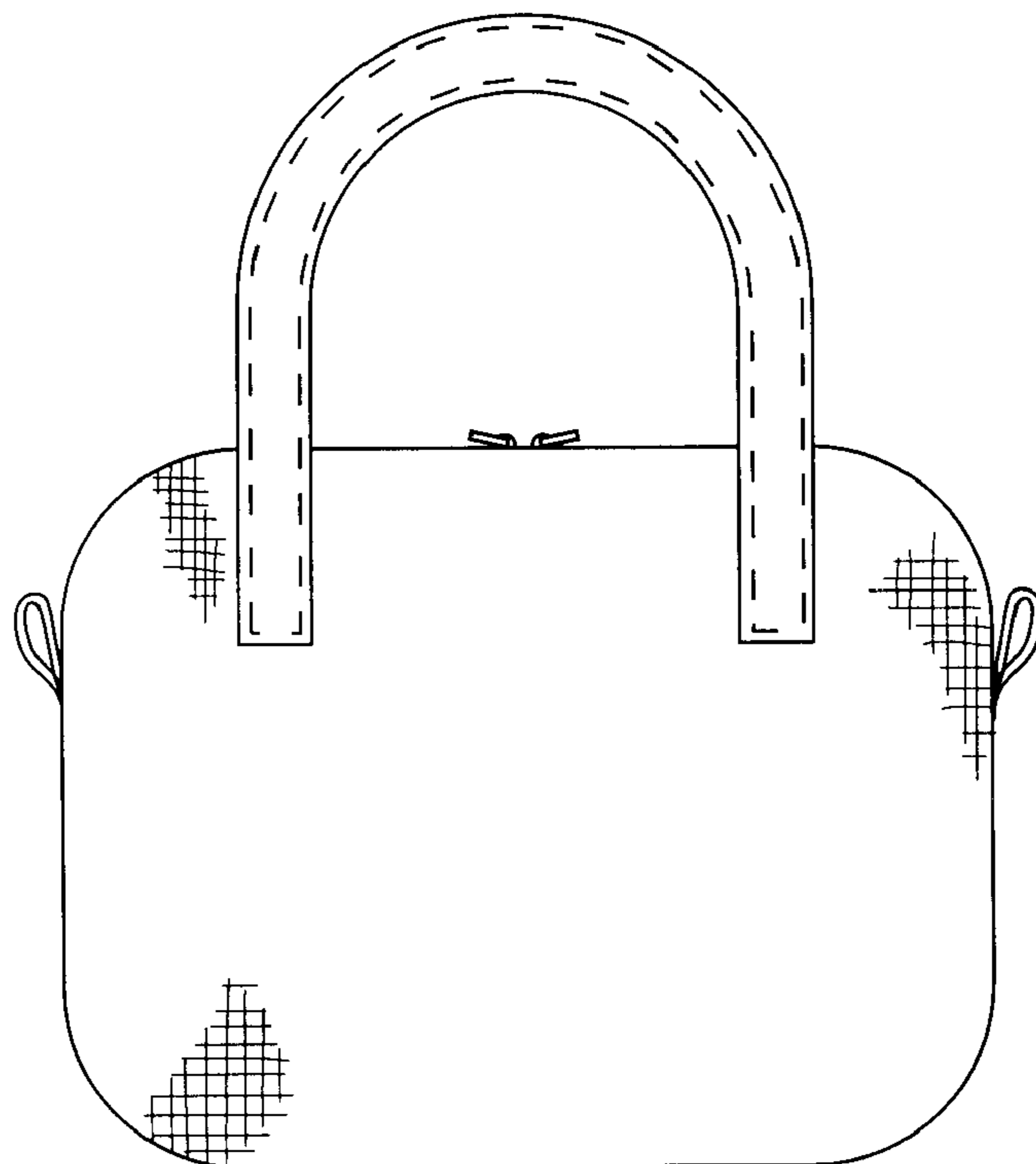
**Fig. 2**



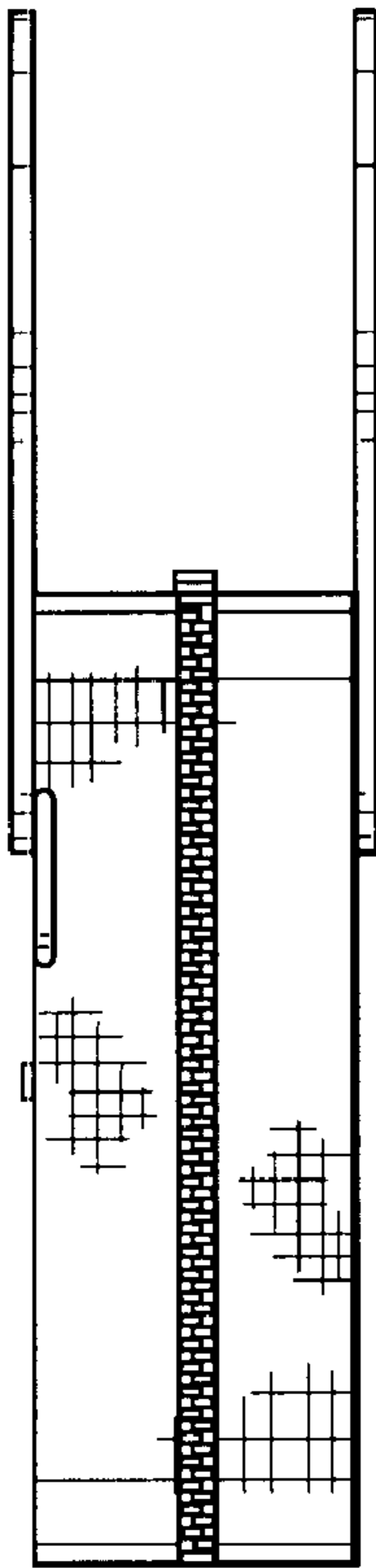
**Fig. 3**



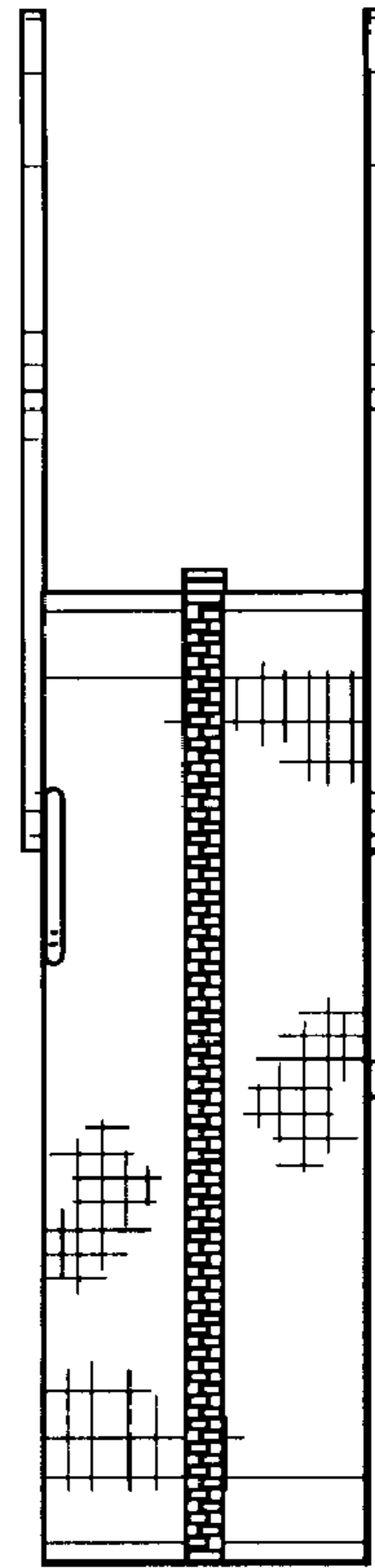
**Fig. 4**



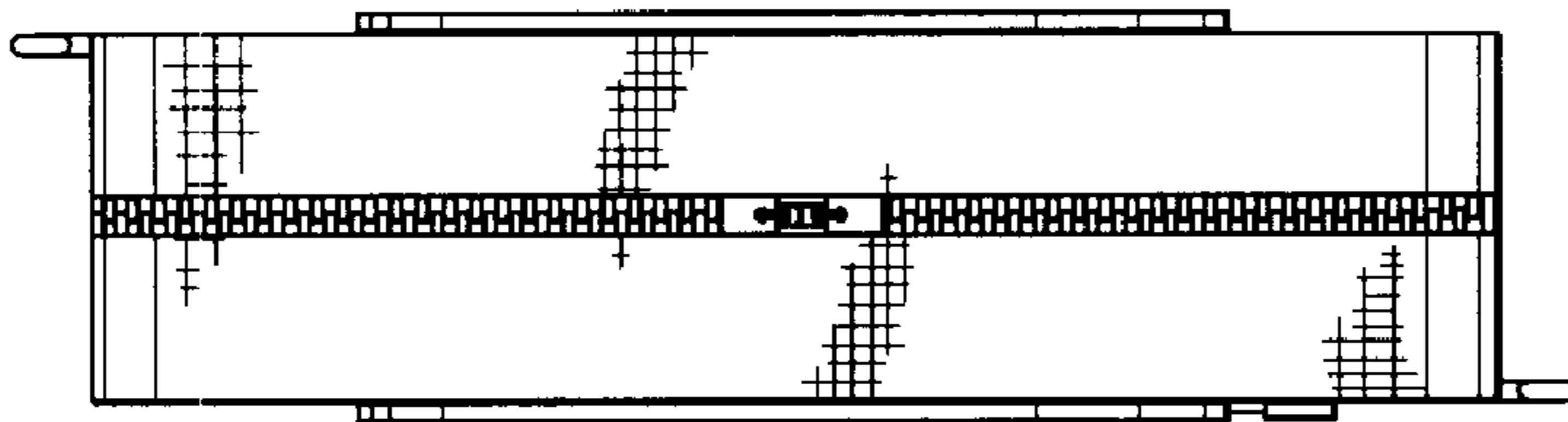
**Fig. 5**



**Fig. 6**



**Fig. 7**



**Fig. 8**

