



US00D524047S

(12) **United States Design Patent**
Tsai

(10) **Patent No.:** **US D524,047 S**

(45) **Date of Patent:** **** Jul. 4, 2006**

(54) **TOOL BOX**

(75) Inventor: **Simon Tsai**, Taichung (TW)

(73) Assignee: **Gau Woei Super Hard Tool Co., Ltd.**,
Taichung (TW)

(**) Term: **14 Years**

(21) Appl. No.: **29/214,344**

(22) Filed: **Sep. 29, 2004**

(51) **LOC (8) Cl.** **03-01**

(52) **U.S. Cl.** **D3/281; D3/905**

(58) **Field of Classification Search** D3/273,
D3/276, 281-282, 284, 291, 294-295, 905;
206/349, 372-373, 378; 312/902
See application file for complete search history.

(56) **References Cited**

U.S. PATENT DOCUMENTS

D390,357 S * 2/1998 Rosen D3/282
D417,338 S * 12/1999 Main D3/281
D429,884 S * 8/2000 Zurwelle et al. D3/281

D446,935 S * 8/2001 Huang D3/281
D459,885 S * 7/2002 Hart D3/282
D468,531 S * 1/2003 Hsu D3/282
D478,725 S * 8/2003 Vasudeva et al. D3/282

* cited by examiner

Primary Examiner—Philip S. Hyder

Assistant Examiner—RoseLynne Ulm

(74) *Attorney, Agent, or Firm*—MacPherson Kwok Chen &
Heid LLP

(57) **CLAIM**

The ornamental design for tool box, as shown and described.

DESCRIPTION

FIG. 1 is a perspective view of tool box showing my new design;

FIG. 2 is a front elevational view thereof;

FIG. 3 is a rear elevational view thereof;

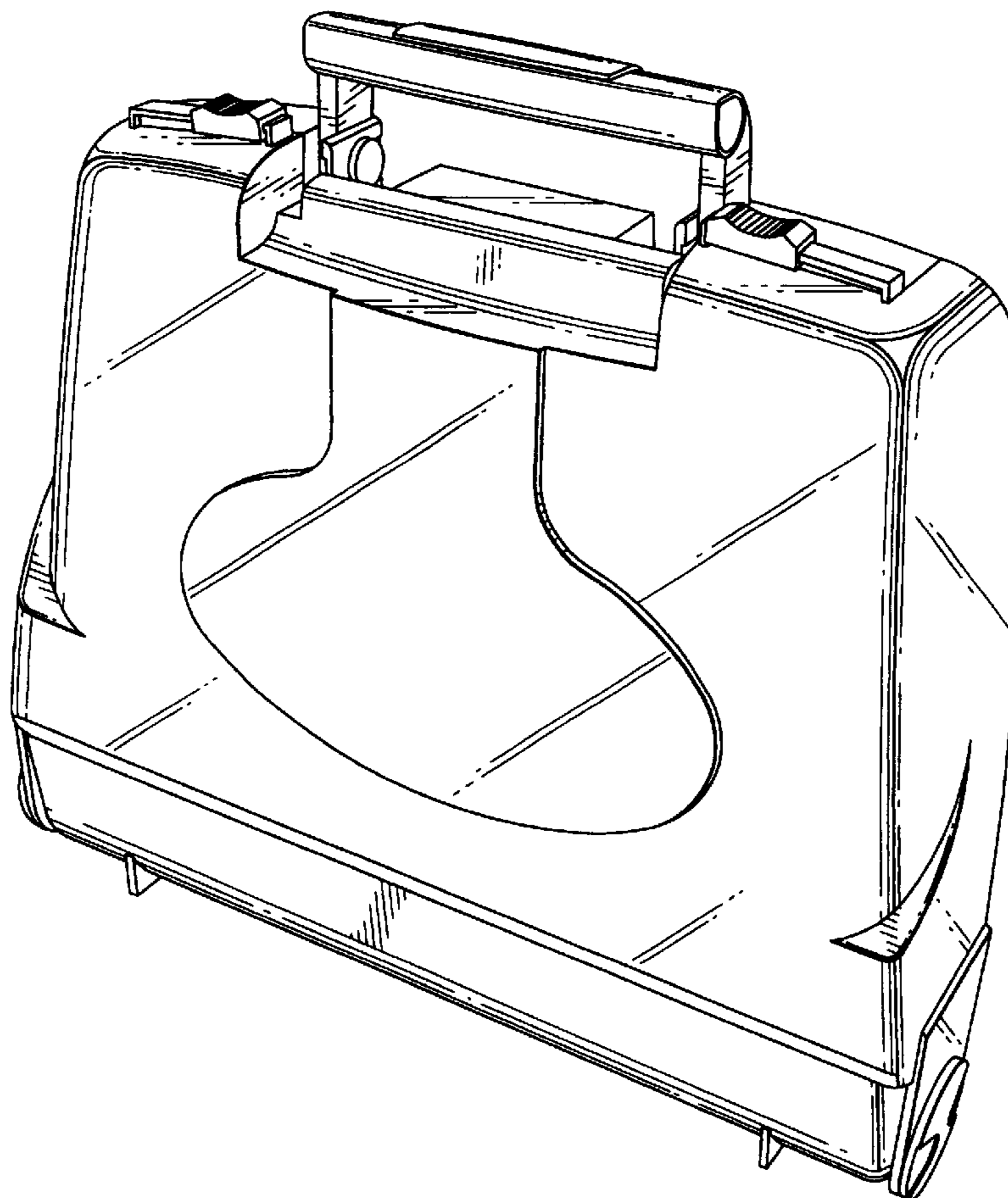
FIG. 4 is a left side elevational view thereof;

FIG. 5 is a right side elevational view thereof;

FIG. 6 is a top plan view thereof; and,

FIG. 7 is a bottom plan view thereof.

1 Claim, 5 Drawing Sheets



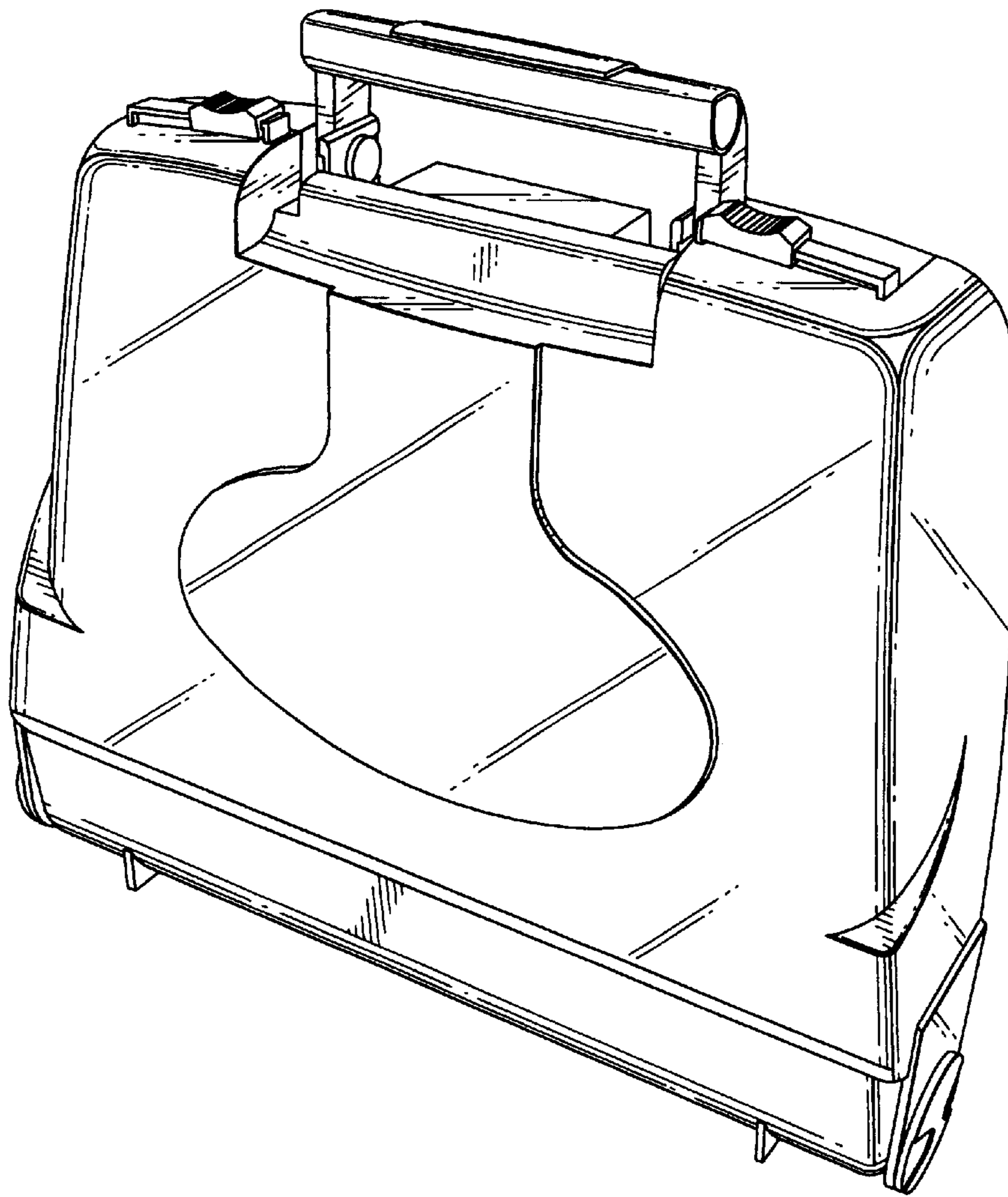


FIG. 1

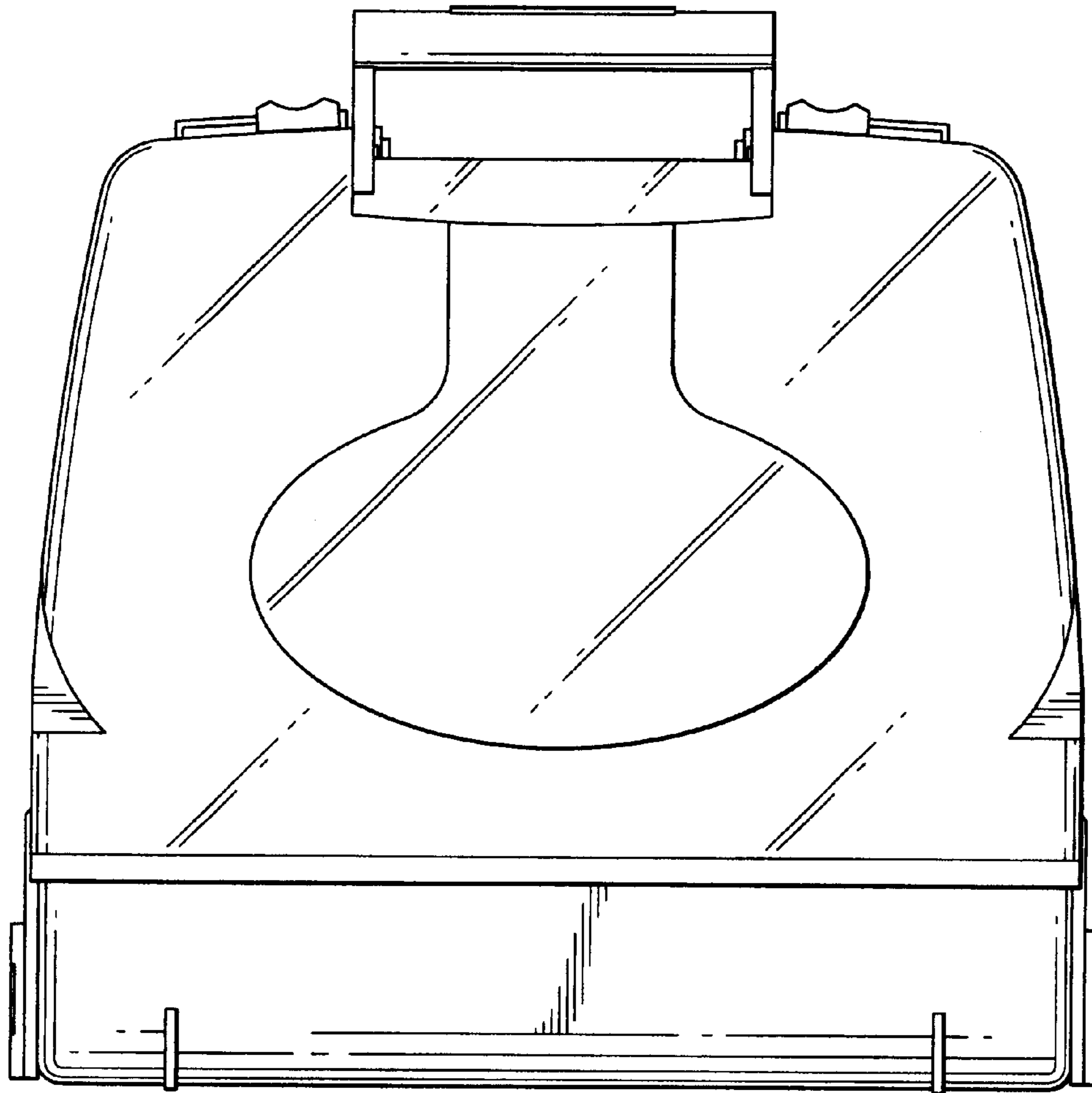


FIG. 2

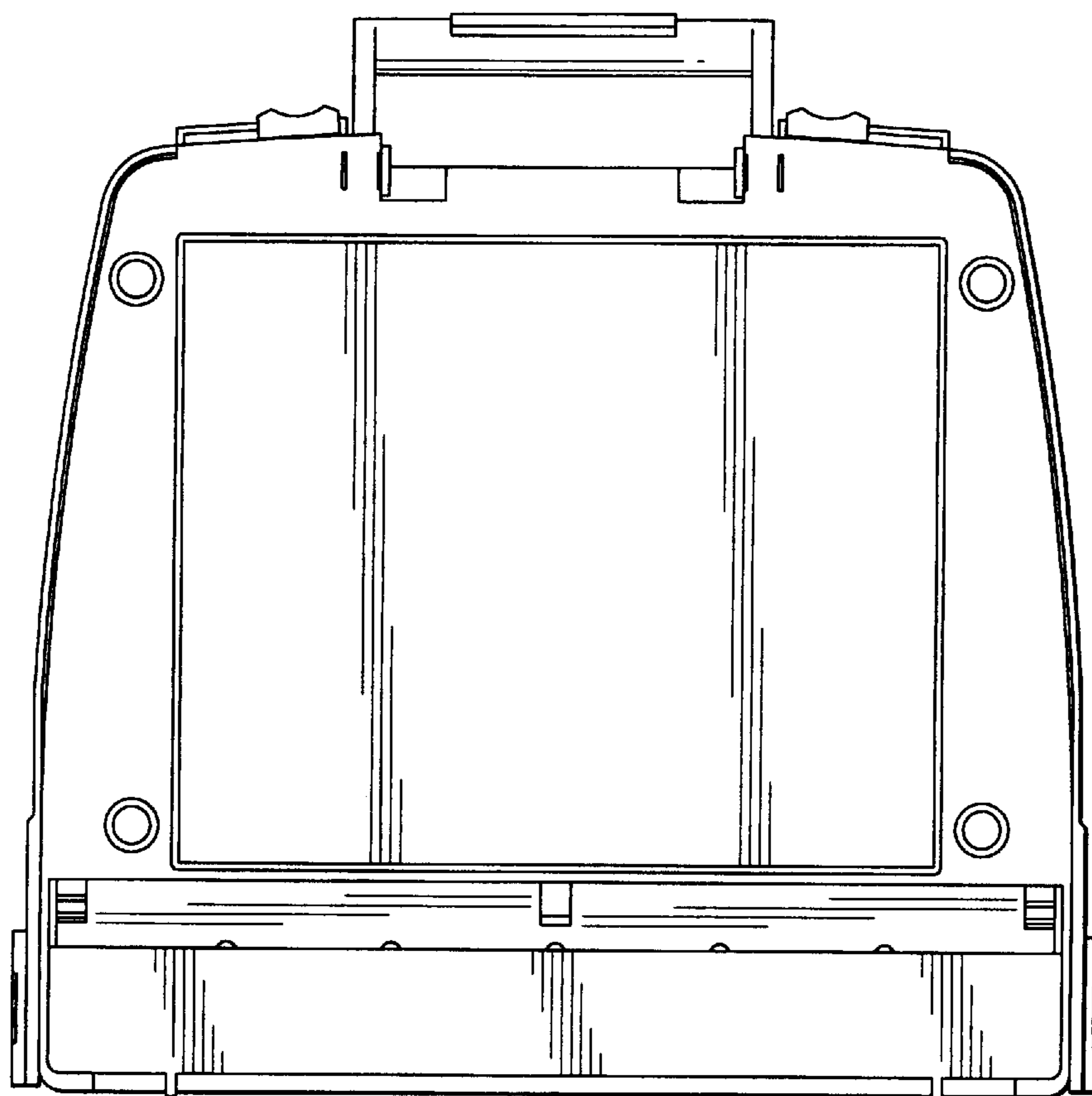


FIG. 3

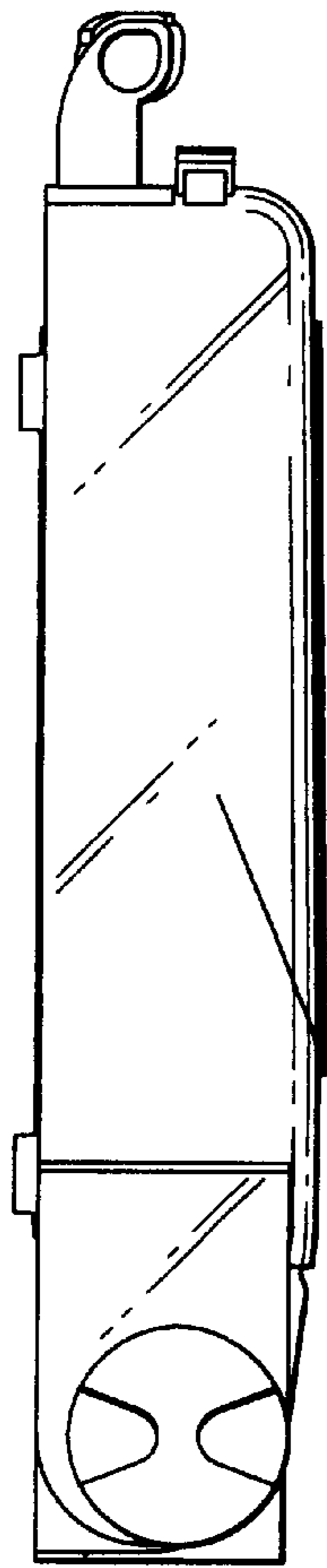


FIG. 4

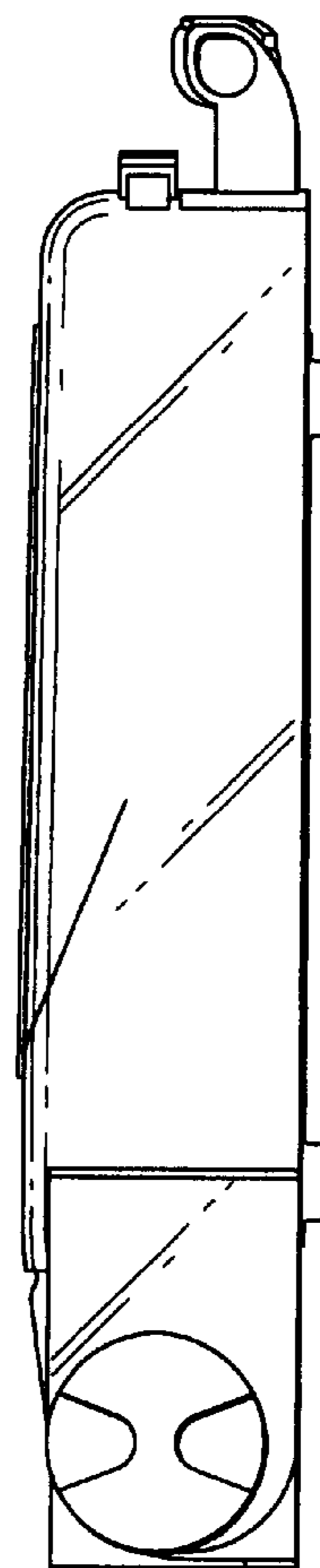


FIG. 5

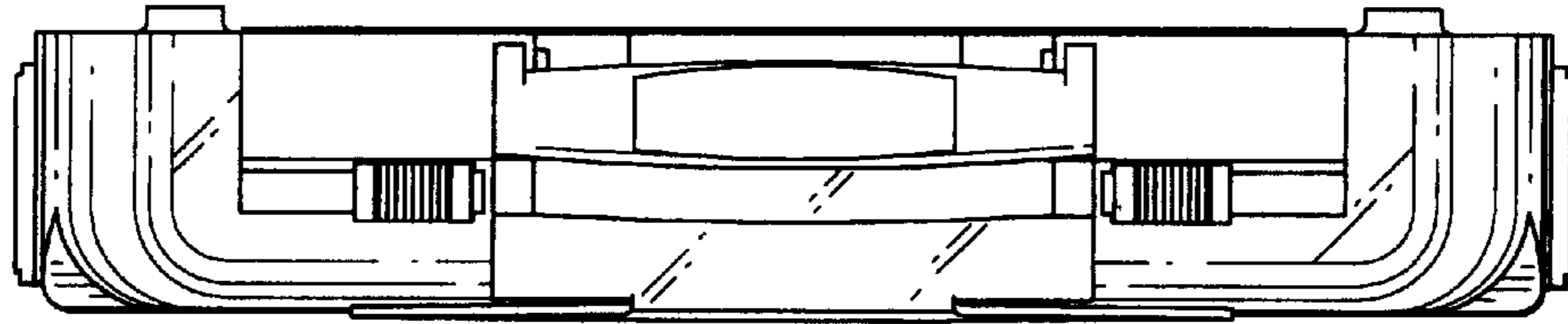


FIG. 6

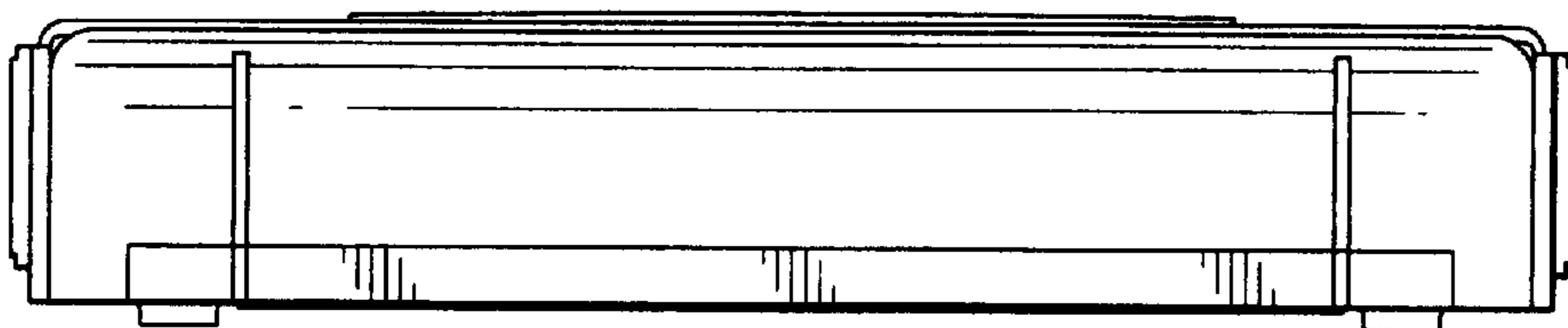


FIG. 7