



US00D524043S

(12) **United States Design Patent**  
**Kamiya**

(10) **Patent No.:** **US D524,043 S**

(45) **Date of Patent:** **\*\* Jul. 4, 2006**

(54) **MOBILE PHONE CASE**

(75) Inventor: **Takahisa Kamiya**, Shizuoka-ken (JP)

(73) Assignee: **Super Planning Co., Ltd.**, Hamamatsu (JP)

(\*\*) Term: **14 Years**

(21) Appl. No.: **29/229,203**

(22) Filed: **May 5, 2005**

(30) **Foreign Application Priority Data**

Feb. 7, 2005 (JP) ..... 2005-003149

(51) **LOC (8) Cl.** ..... **03-01**

(52) **U.S. Cl.** ..... **D3/218**

(58) **Field of Classification Search** ..... D3/218,  
D3/215, 219, 224-228, 232-246; D14/250-251,  
D14/138; 379/453-455

See application file for complete search history.

(56) **References Cited**

**U.S. PATENT DOCUMENTS**

D423,216 S \* 4/2000 Medeiros ..... D3/246

D439,041 S \* 3/2001 Guyon ..... D3/246

D475,850 S \* 6/2003 Andre et al. .... D3/218

D495,874 S \* 9/2004 Kamiya ..... D3/218

D497,247 S \* 10/2004 Kamiya ..... D3/218

D512,560 S \* 12/2005 Williford ..... D3/218

\* cited by examiner

*Primary Examiner*—Catherine R. Oliver

(74) *Attorney, Agent, or Firm*—McGinn IP Law Group, PLLC

(57) **CLAIM**

The ornamental design for a mobile phone case, as shown and described.

**DESCRIPTION**

FIG. 1 is a front elevational view of a mobile phone case showing my design;

FIG. 2 is a rear elevational view thereof;

FIG. 3 is a top plan view thereof;

FIG. 4 is a bottom plan view thereof;

FIG. 5 is a left side elevational view thereof;

FIG. 6 is a right side elevational view thereof; and,

FIG. 7 is a perspective view thereof.

**1 Claim, 7 Drawing Sheets**

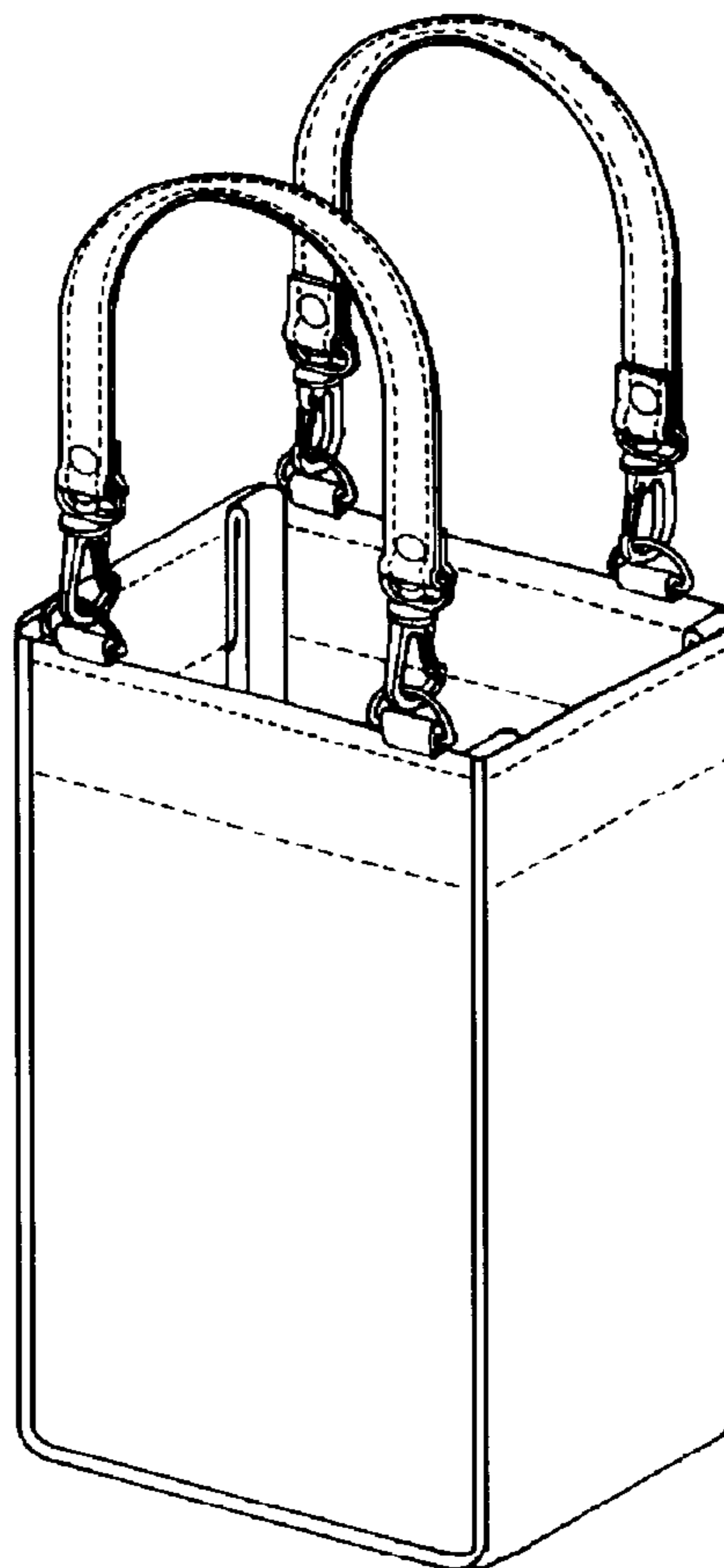


Fig. 1

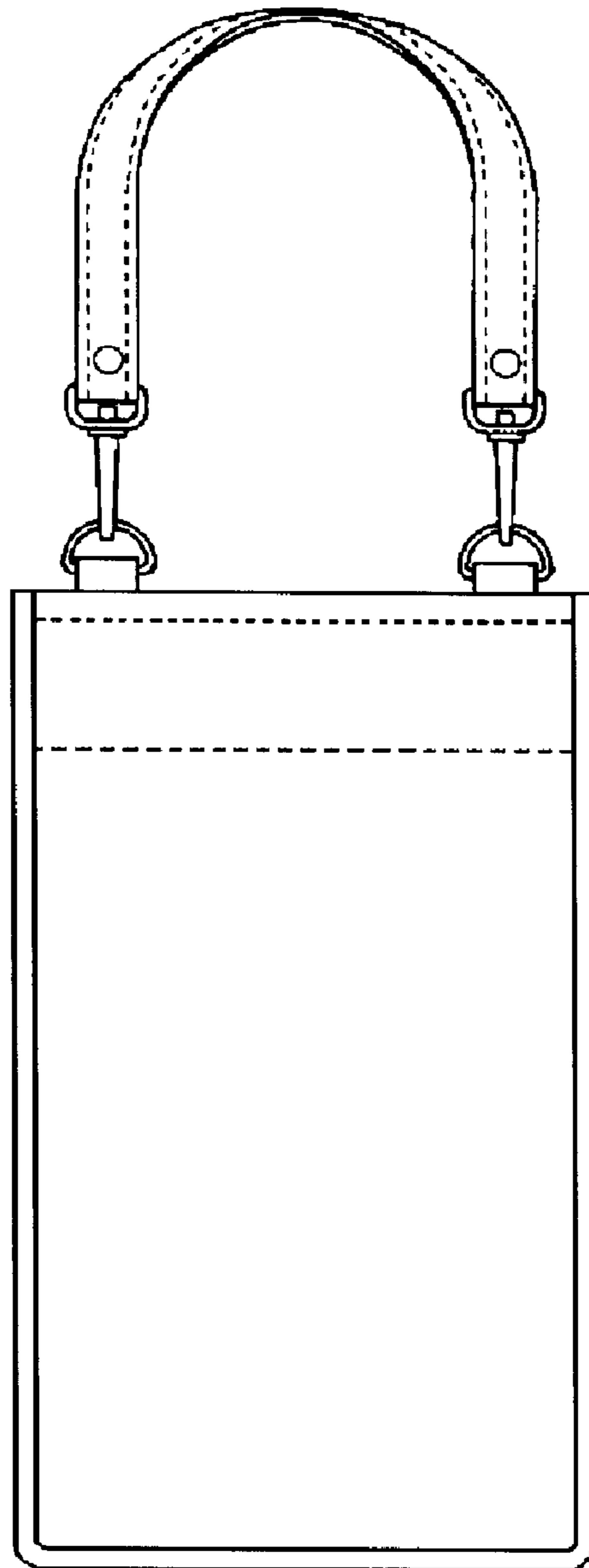
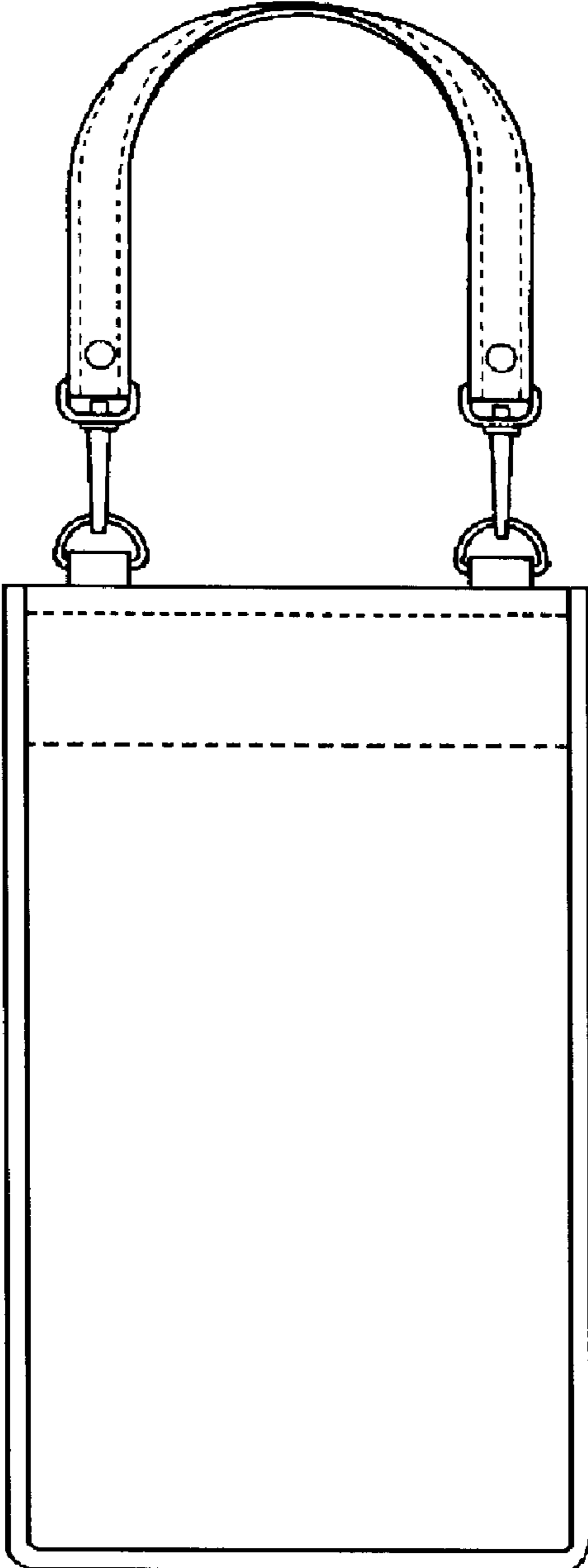
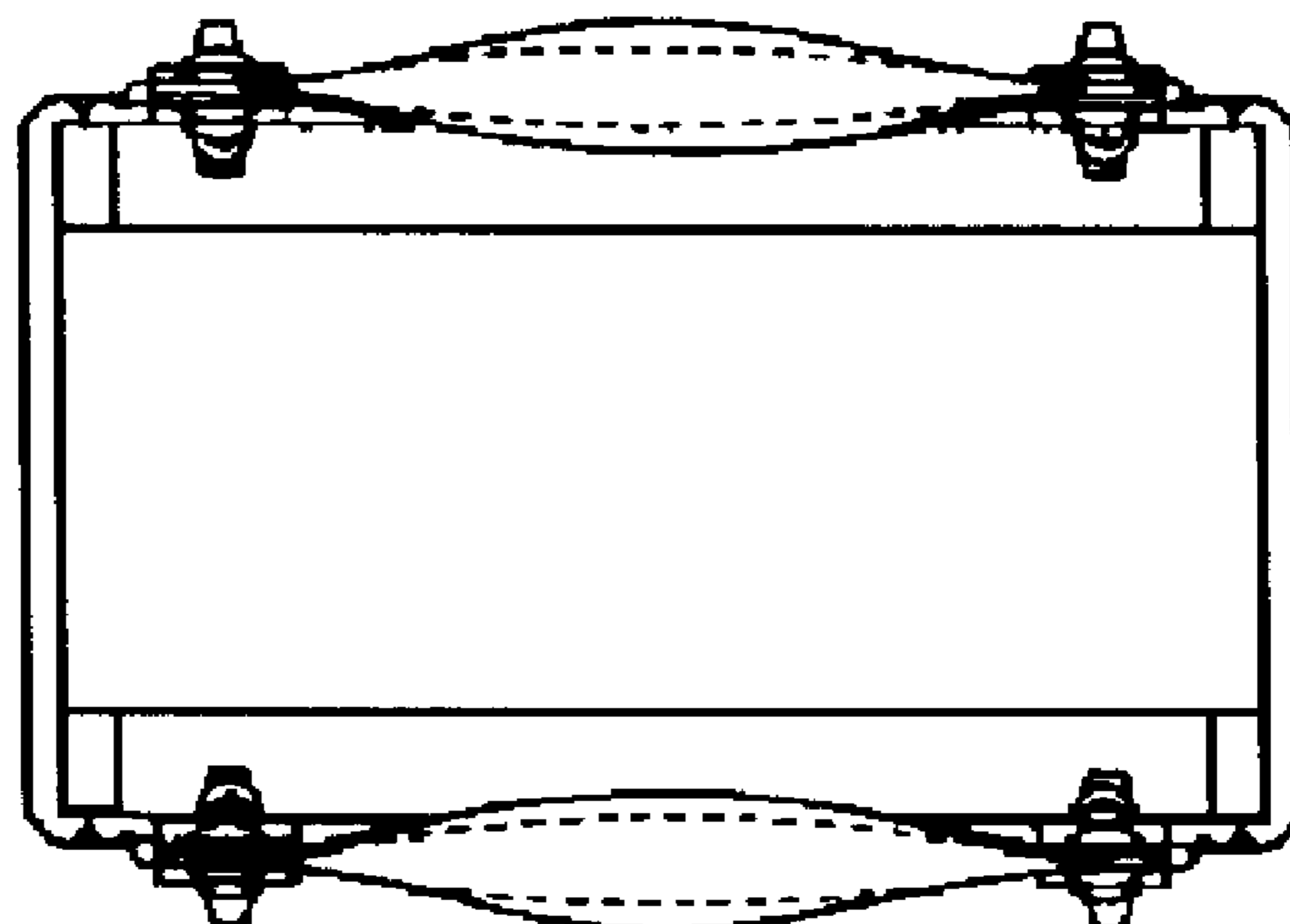


Fig. 2



# Fig. 3



# Fig. 4

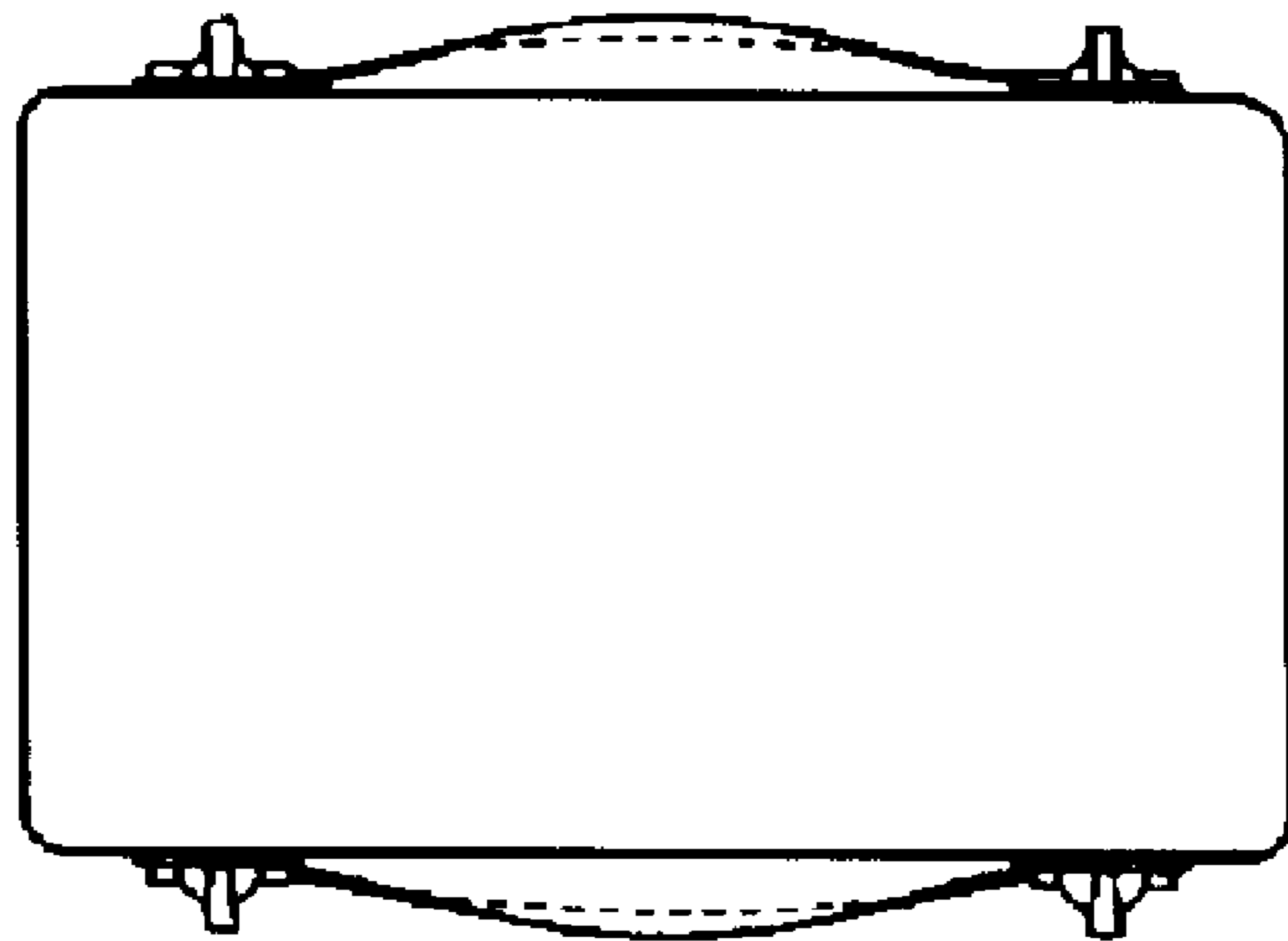


Fig. 5

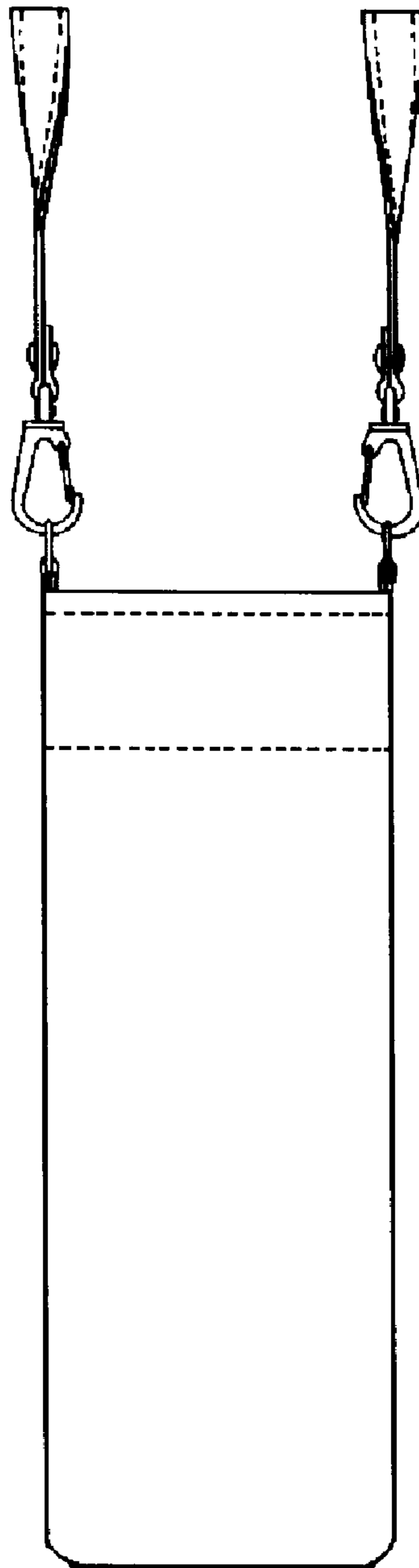


Fig. 6

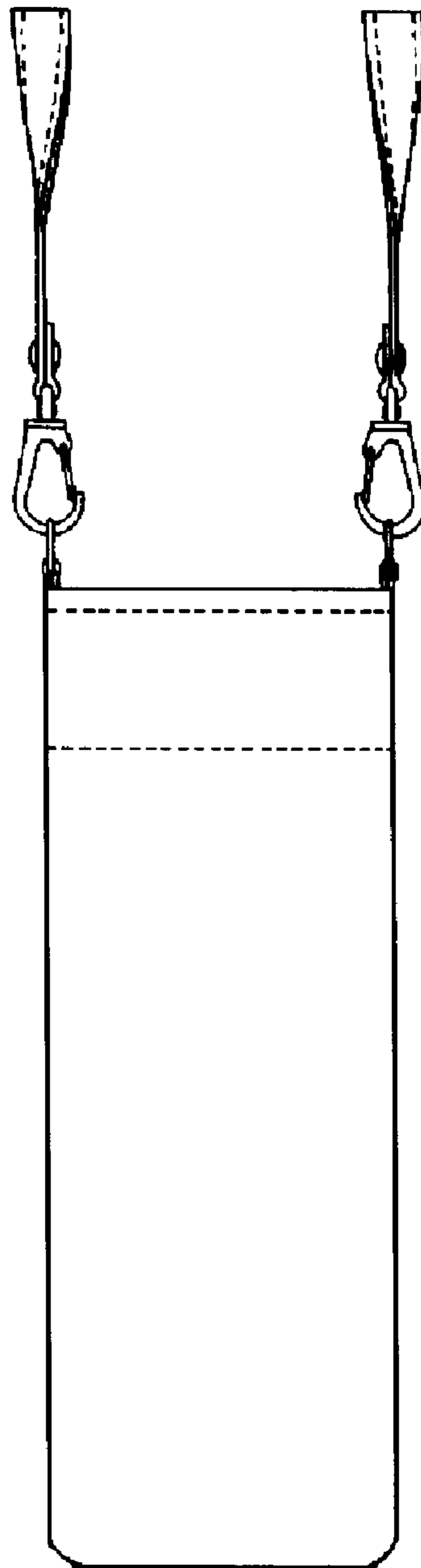


Fig. 7

